



US00D738468S

(12) **United States Design Patent**
Bahler

(10) **Patent No.:** **US D738,468 S**

(45) **Date of Patent:** **** Sep. 8, 2015**

(54) **FAUCET HANDLE**

D573,233 S * 7/2008 Dolan D23/250
D627,444 S * 11/2010 Yokoyama et al. D23/254

(71) Applicant: **Delta Faucet Company**, Indianapolis,
IN (US)

* cited by examiner

(72) Inventor: **Jordan Renee Bahler**, Frankfort, IN
(US)

Primary Examiner — Robert Delehanty

(74) *Attorney, Agent, or Firm* — Edgar A. Zarins; Nirav D.
Parikh

(73) Assignee: **DELTA FAUCET COMPANY**,
Indianapolis, IN (US)

(**) Term: **14 Years**

(57) **CLAIM**

The ornamental design for a faucet handle, as shown and
described.

(21) Appl. No.: **29/513,722**

(22) Filed: **Jan. 5, 2015**

(51) **LOC (10) Cl.** **23-01**

(52) **U.S. Cl.**
USPC **D23/252; D23/242**

(58) **Field of Classification Search**
USPC D23/238, 241–243, 249, 250, 252
CPC E03C 1/04; E03C 1/0401; E03C 1/0402;
E03C 1/0404

See application file for complete search history.

(56) **References Cited**

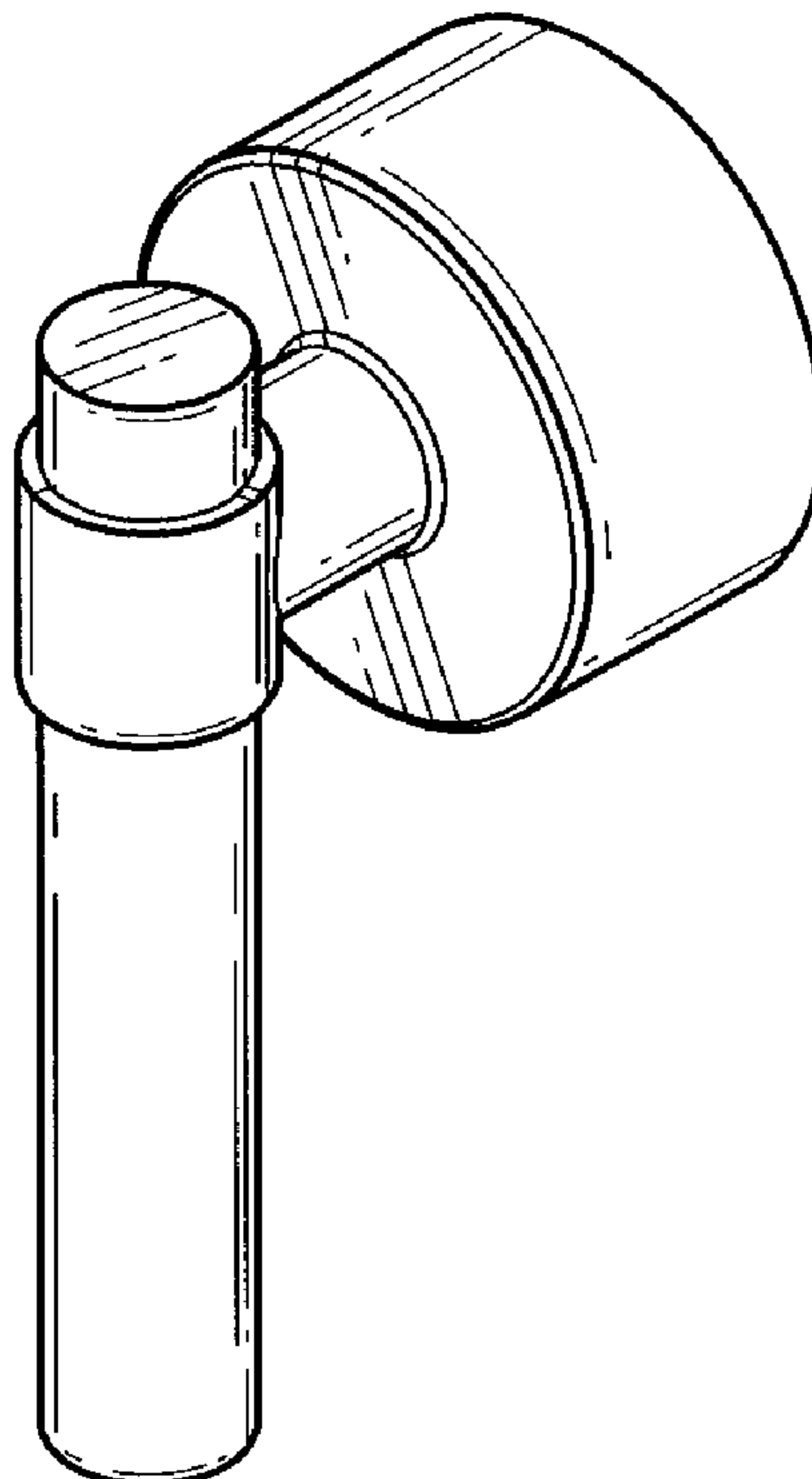
U.S. PATENT DOCUMENTS

D296,815 S * 7/1988 Jans D23/252
D319,294 S * 8/1991 Kohler et al. D23/254

DESCRIPTION

FIG. 1 is a perspective view of a faucet handle showing my
new design;
FIG. 2 is a front view thereof;
FIG. 3 is a first end view thereof;
FIG. 4 is a right side view thereof, the opposite side being a
mirror image of the side shown;
FIG. 5 is a rear view thereof;
FIG. 6 is a first side view of a second embodiment thereof, the
opposite side being a mirror image of the side shown; and,
FIG. 7 is a first end view thereof, the opposite end being a
mirror image of the end shown.

1 Claim, 2 Drawing Sheets



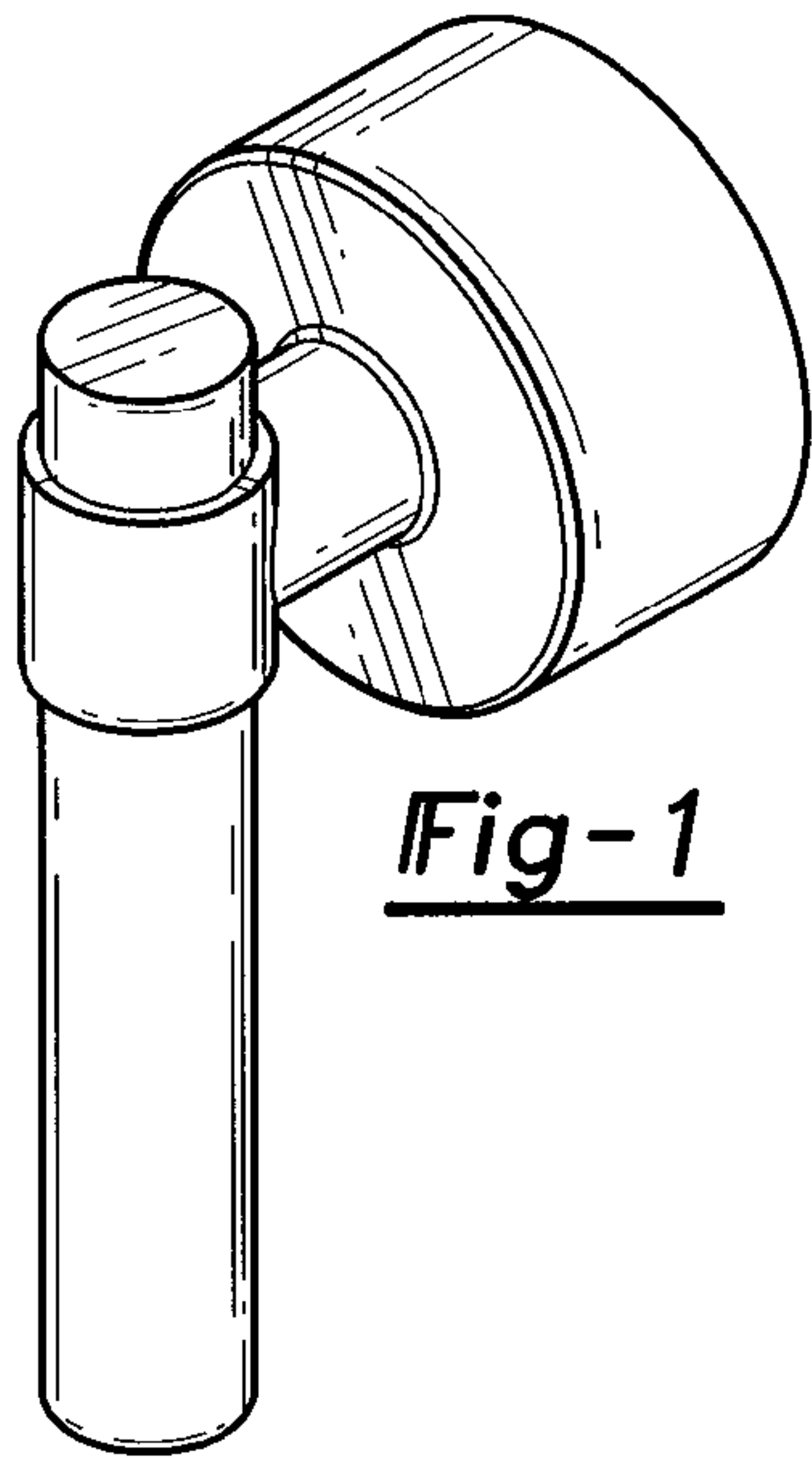


Fig-1

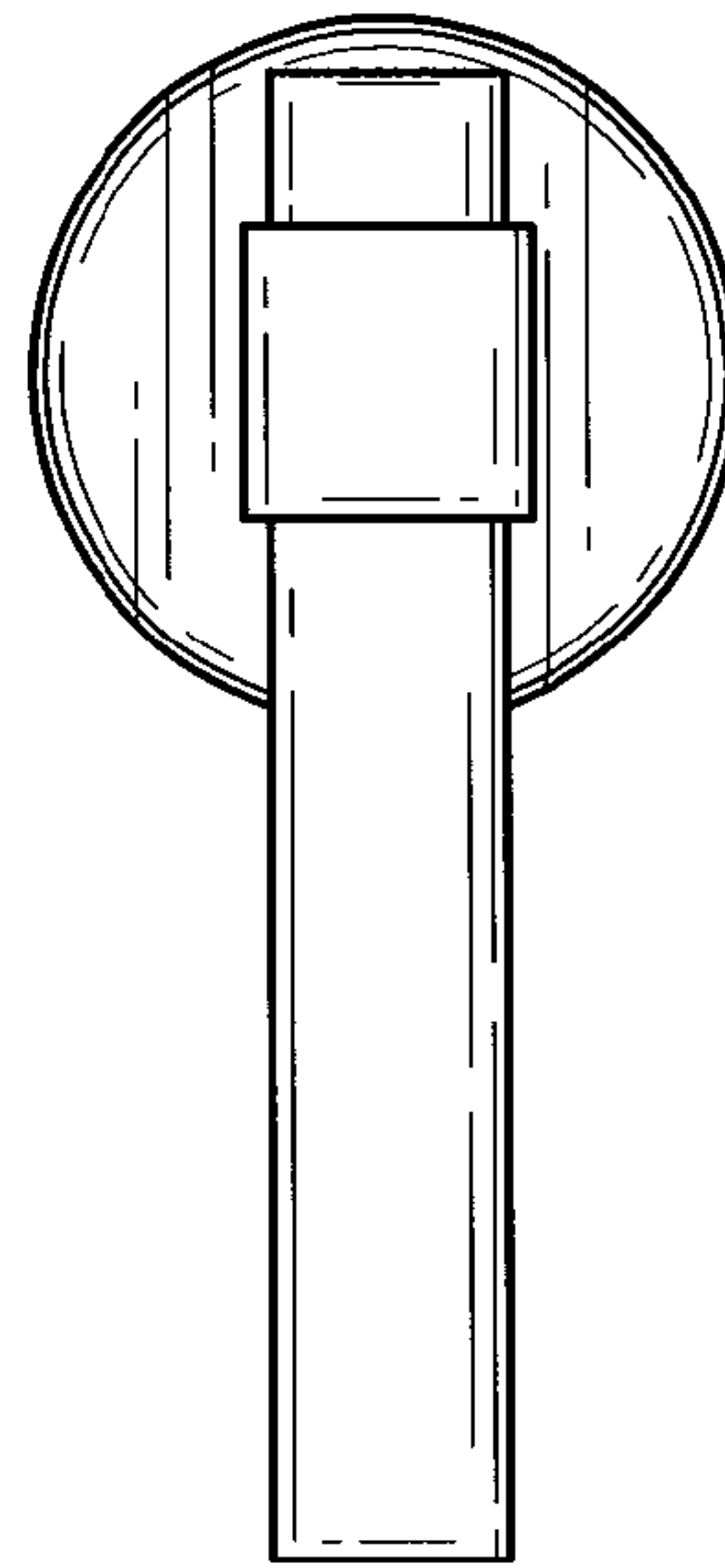


Fig-2

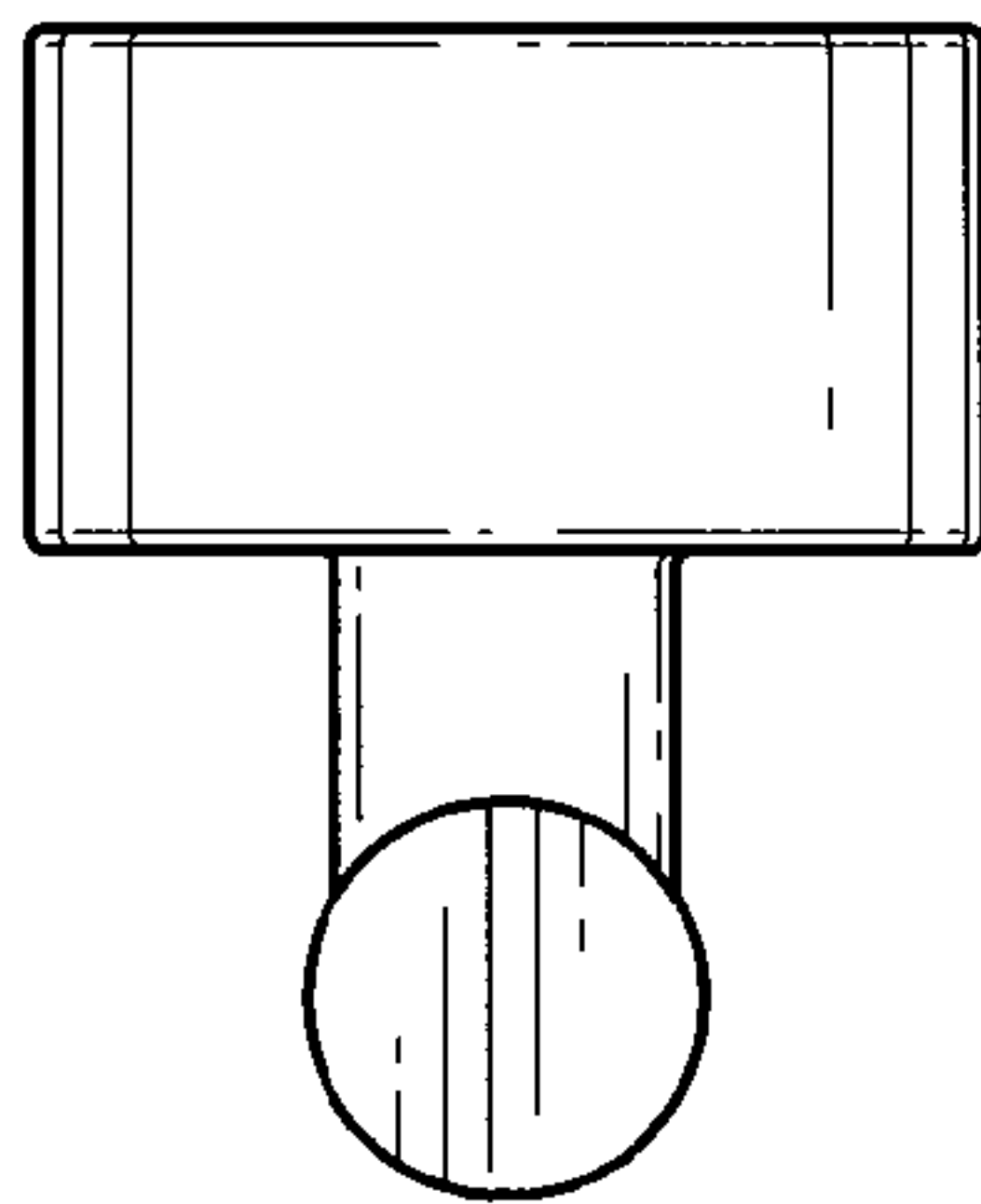


Fig-3

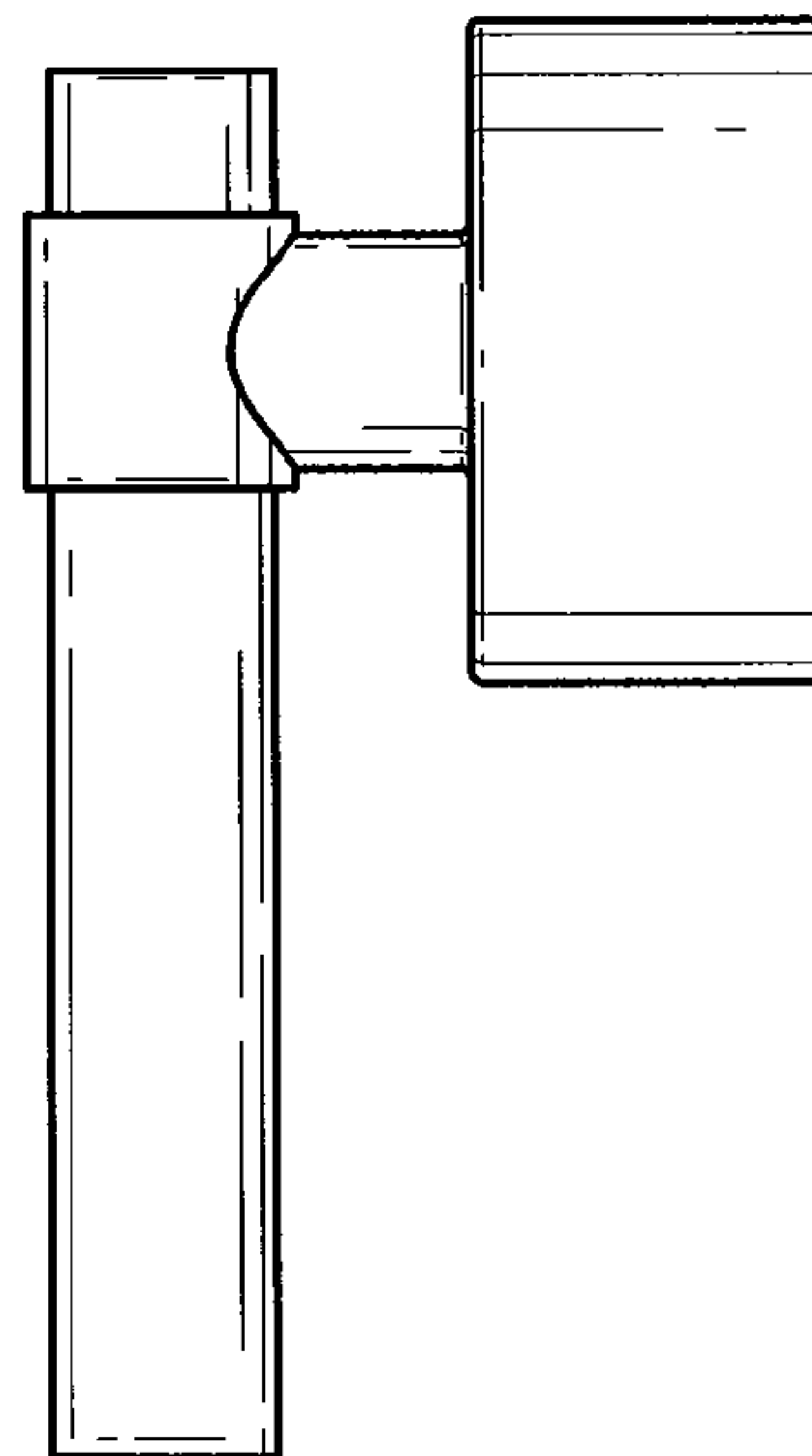


Fig-4

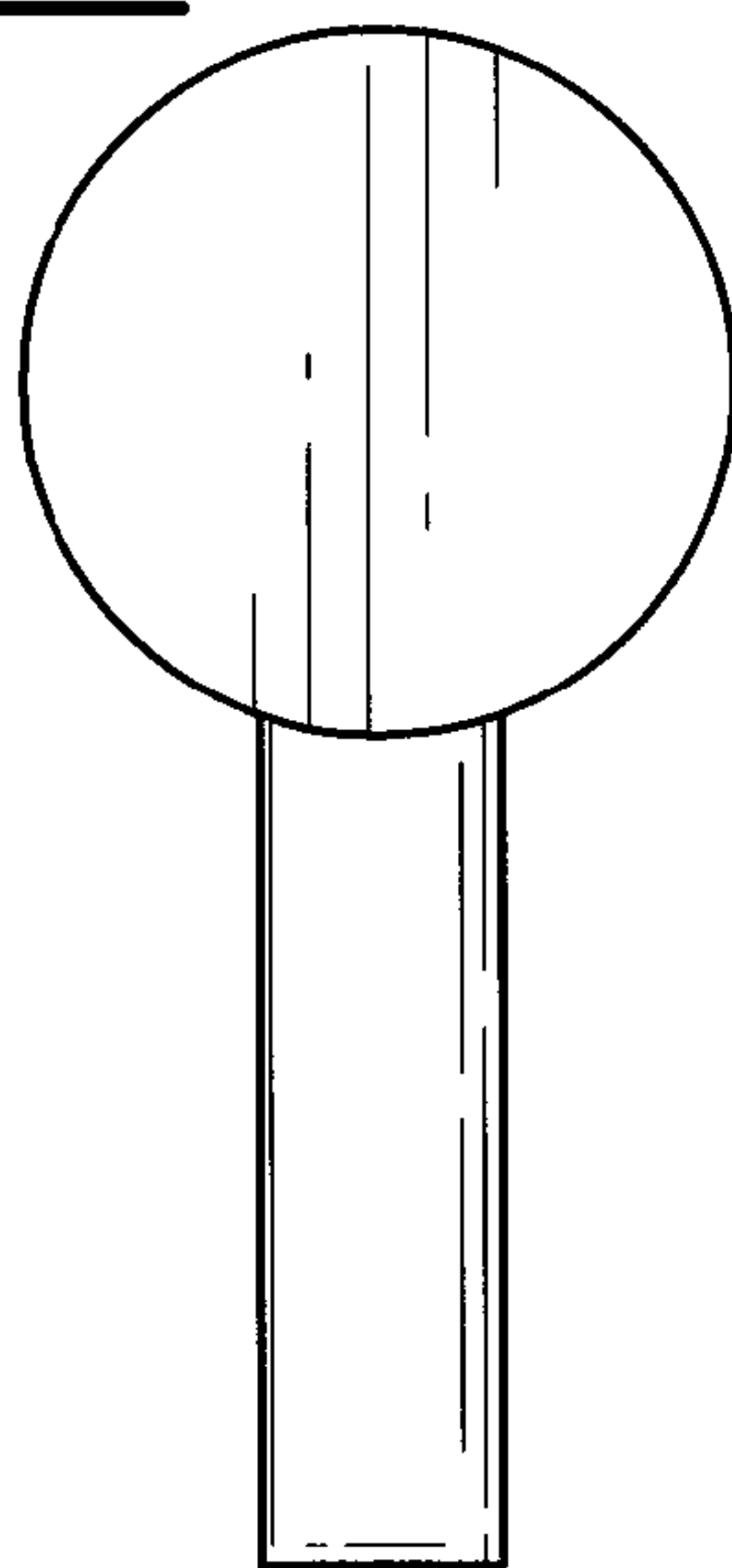


Fig-5

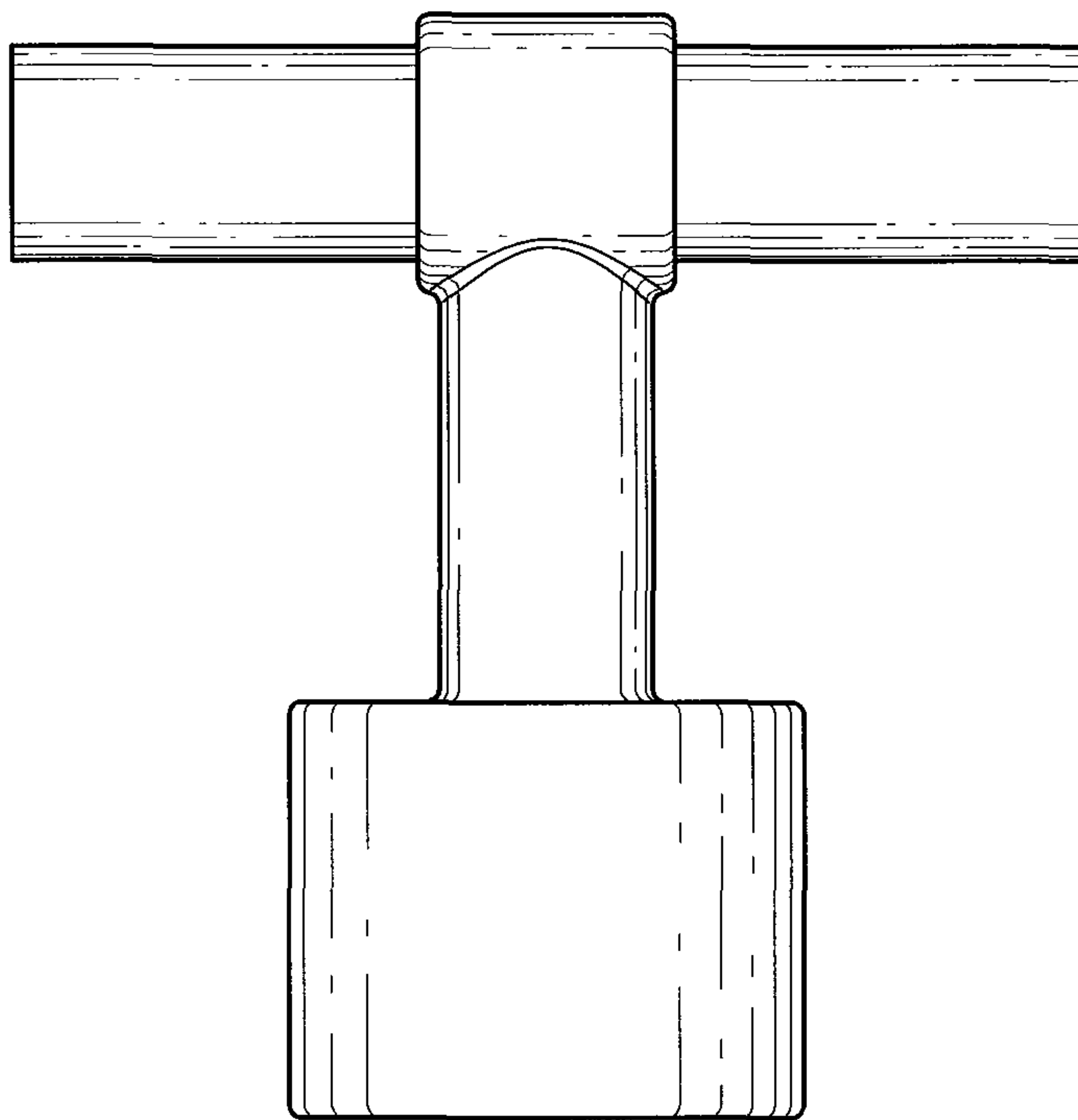


Fig-6

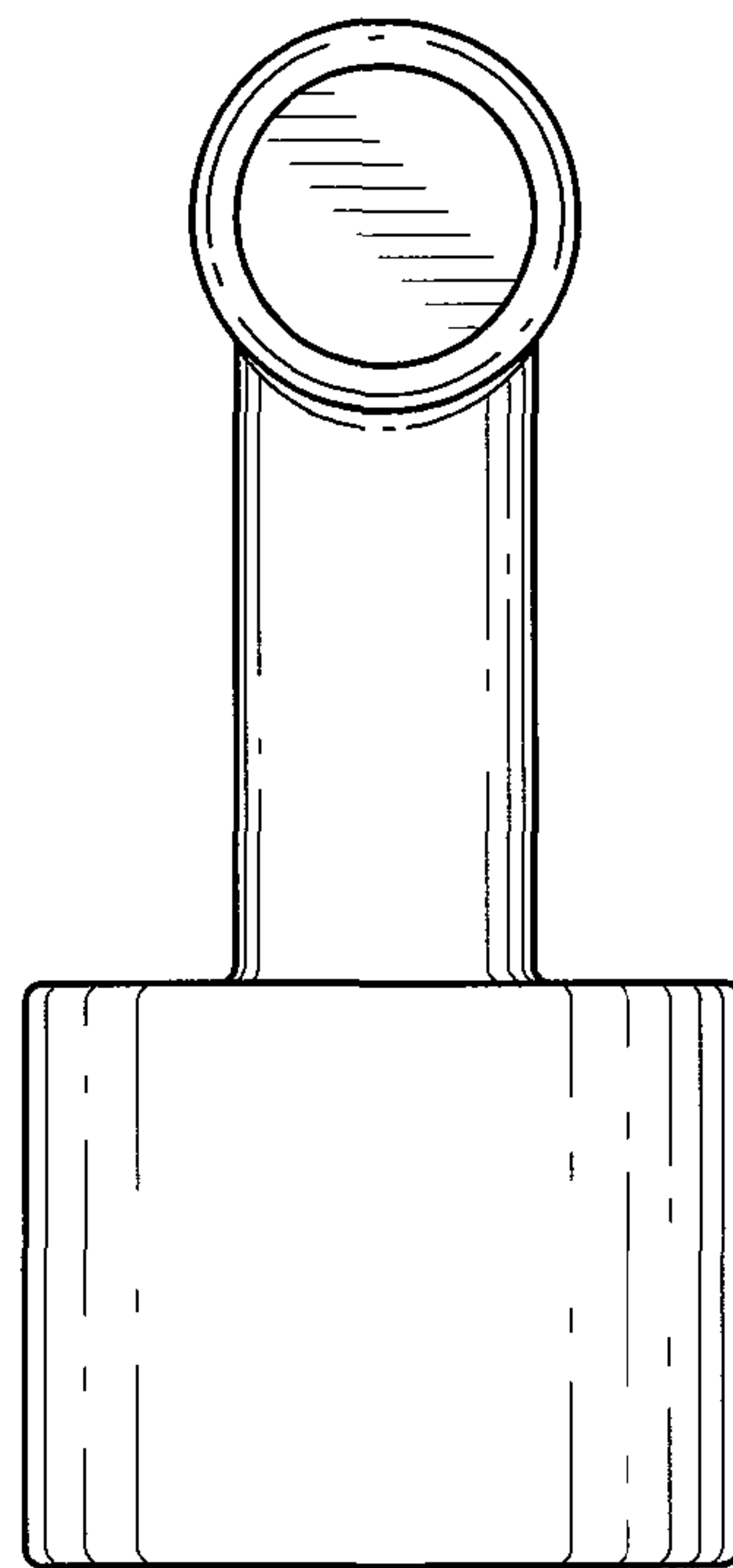


Fig-7