



US00D738467S

(12) **United States Design Patent**  
**Flowers et al.**

(10) **Patent No.:** **US D738,467 S**  
(45) **Date of Patent:** **\*\* Sep. 8, 2015**

(54) **SHOWER THERMOSTAT**

(71) Applicant: **Grohe AG**, Hemer (DE)  
(72) Inventors: **Paul Flowers**, Duesseldorf (DE); **Hans Lobermeier**, Menden (DE)  
(73) Assignee: **Grohe AG**, Hemer (DE)

(\*\*) Term: **14 Years**

(21) Appl. No.: **29/513,679**

(22) Filed: **Jan. 5, 2015**

(30) **Foreign Application Priority Data**

Jul. 3, 2014 (EM) ..... 002495937-0002

(51) **LOC (10) Cl.** ..... **23-01**

(52) **U.S. Cl.**  
USPC ..... **D23/241**

(58) **Field of Classification Search**  
USPC ..... D23/238-243, 249, 253, 255, 257  
CPC ..... E03C 1/04; E03C 1/0401; E03C 1/0402;  
E03C 1/0404

See application file for complete search history.

(56) **References Cited**

U.S. PATENT DOCUMENTS

D353,442 S *	12/1994	Formgren	.....	D23/241
D353,651 S *	12/1994	Formgren	.....	D23/241
D403,051 S *	12/1998	Lobermeier	.....	D23/241
D411,284 S *	6/1999	Gottwald	.....	D23/241
D457,941 S *	5/2002	Lobermeier	.....	D23/242
D493,211 S *	7/2004	Fraser et al.	.....	D23/241

\* cited by examiner

*Primary Examiner* — Robert Delehanty

(74) *Attorney, Agent, or Firm* — Muncy, Geissler, Olds & Lowe, P.C.

(57) **CLAIM**

The ornamental design for a shower thermostat, as shown and described.

**DESCRIPTION**

FIG. 1 is a front perspective view of a shower thermostat according to the present invention.

FIG. 2 is a left side view of the shower thermostat of FIG. 1.

FIG. 3 is a right side view of the shower thermostat of FIG. 1.

FIG. 4 is a top view of the shower thermostat of FIG. 1.

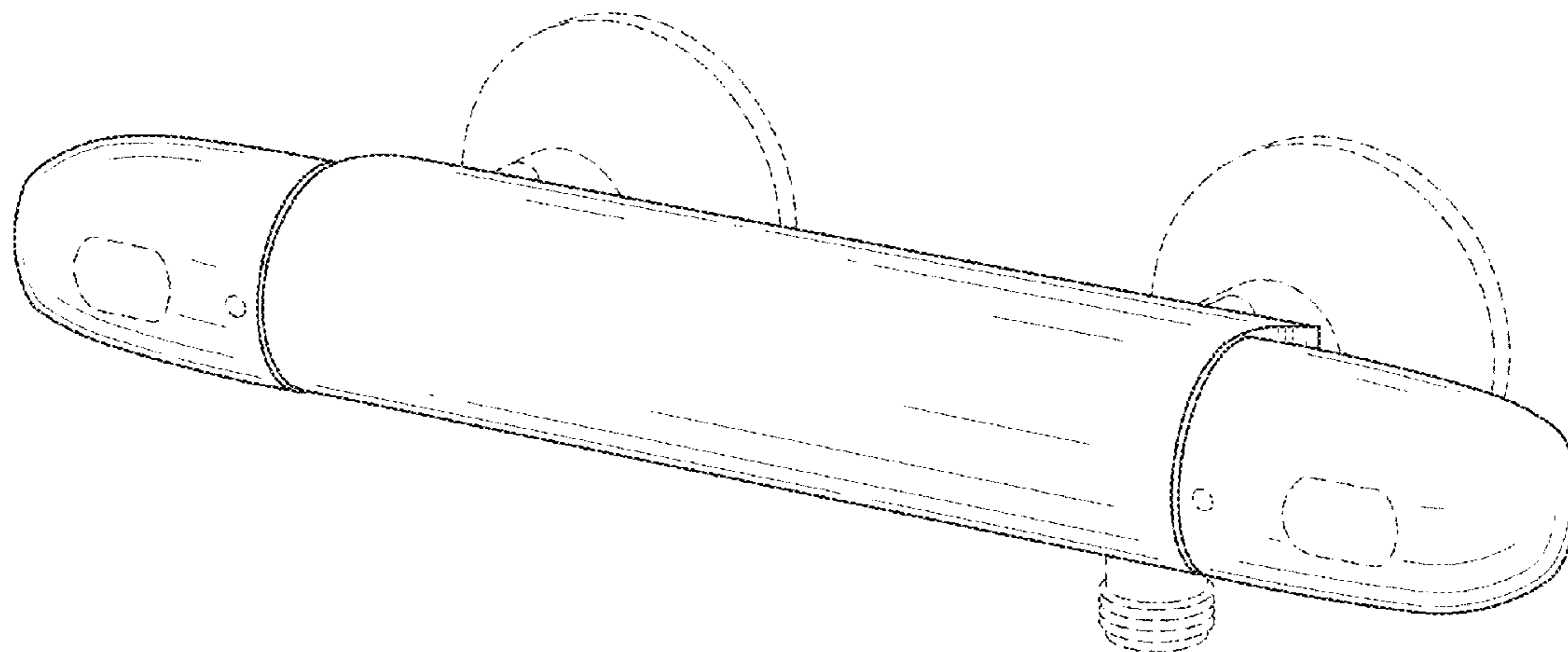
FIG. 5 is a bottom view of the shower thermostat of FIG. 1.

FIG. 6 is a front view of the shower thermostat of FIG. 1; and,

FIG. 7 is a rear view of the shower thermostat of FIG. 1.

The dashed lines illustrate environment that does not form a part of the present invention, and no claim is made to the material illustrated with dashed lines.

**1 Claim, 7 Drawing Sheets**



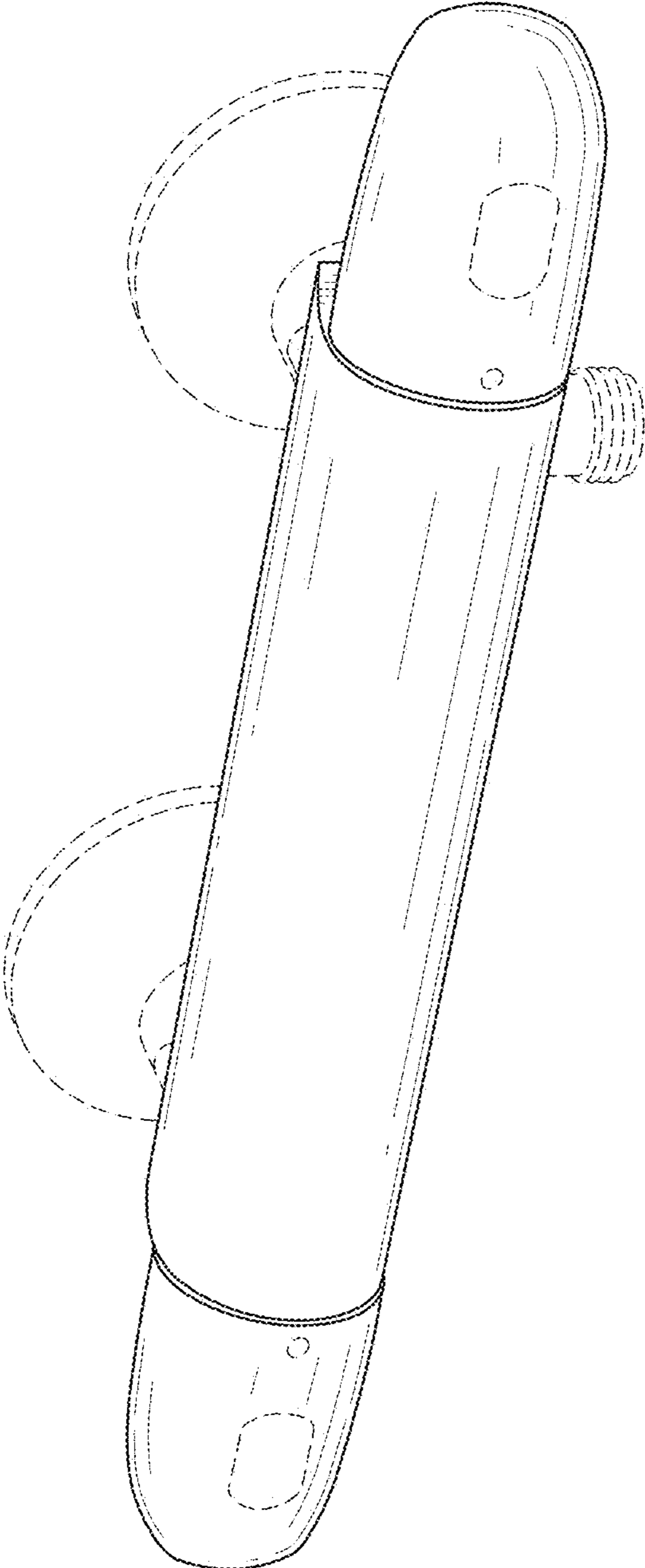


FIG.1

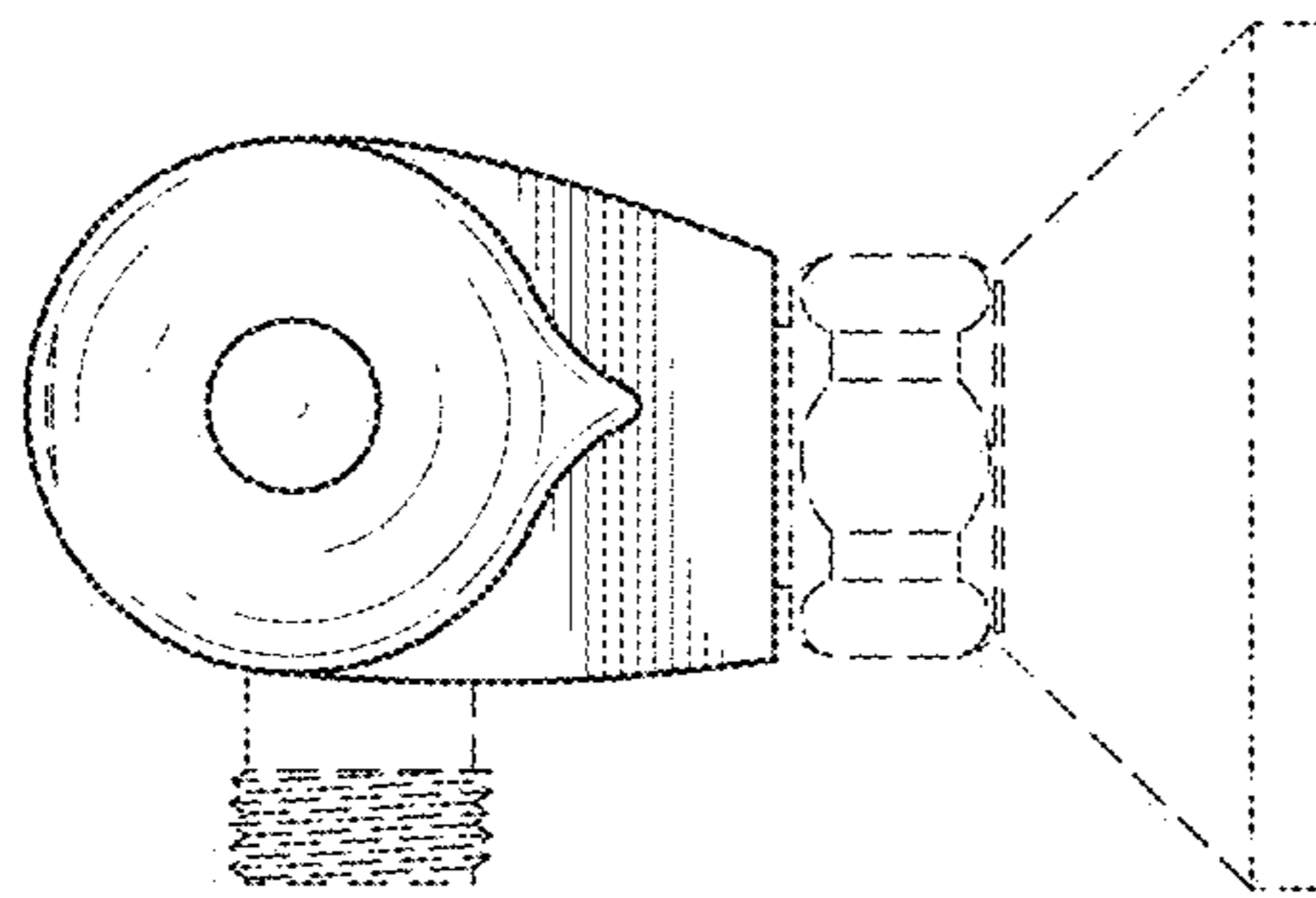


FIG.2

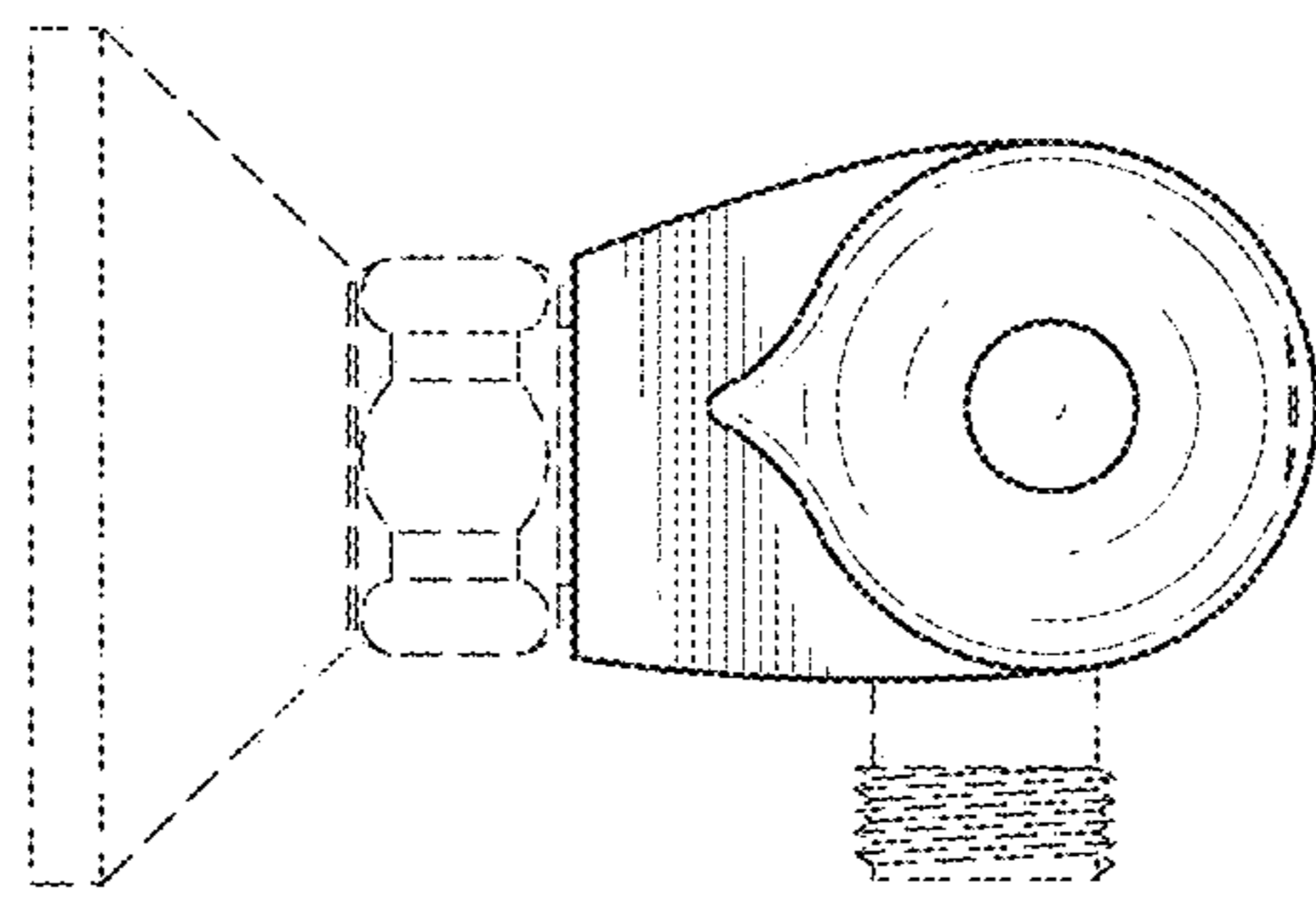


FIG.3

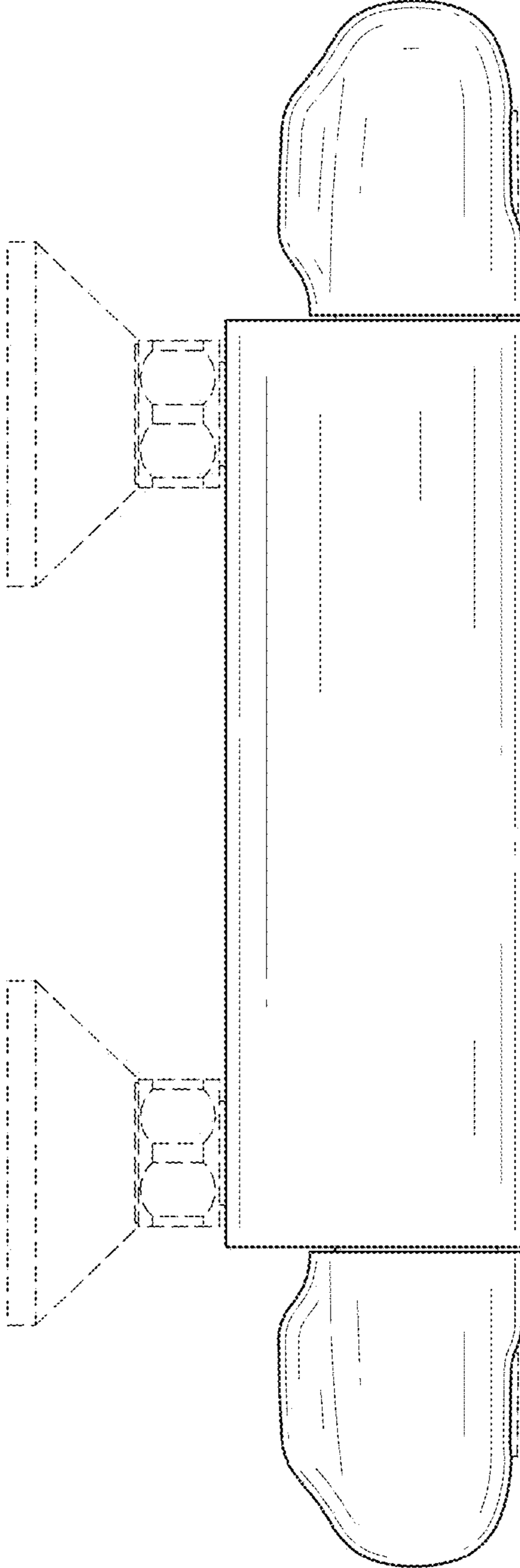


FIG.4

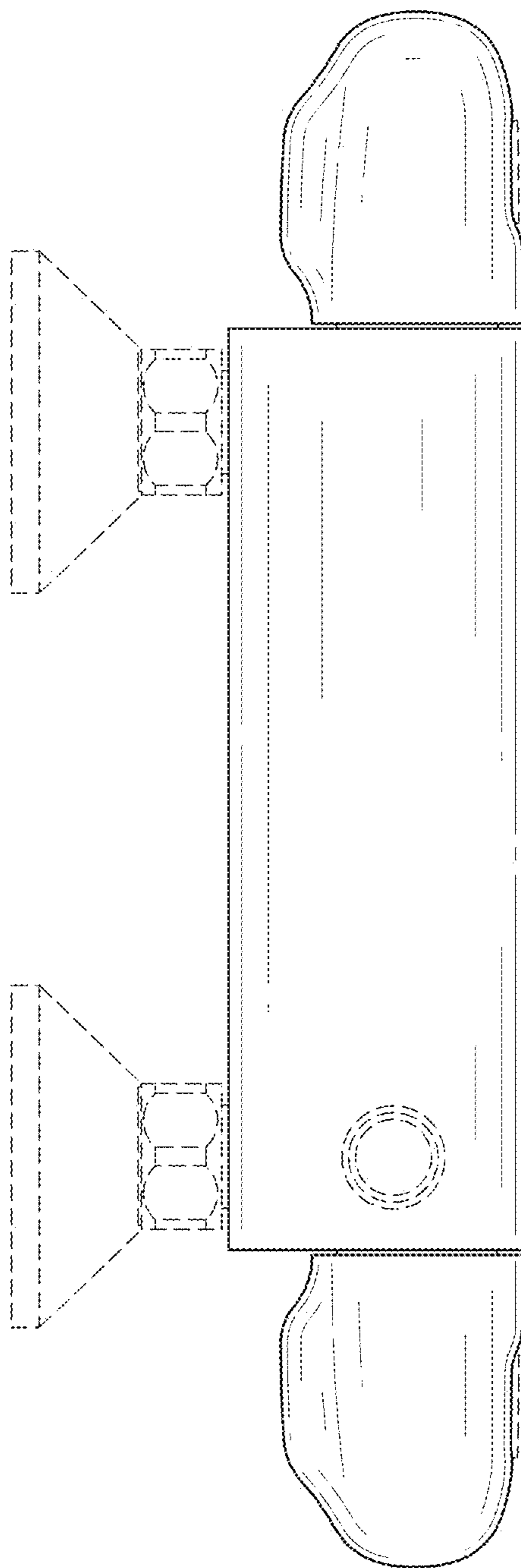


FIG.5

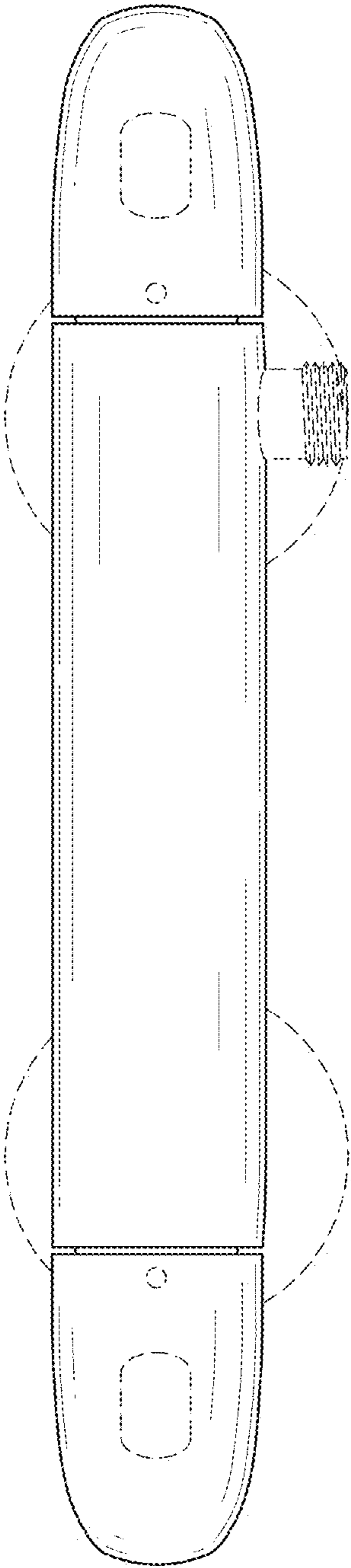


FIG.6

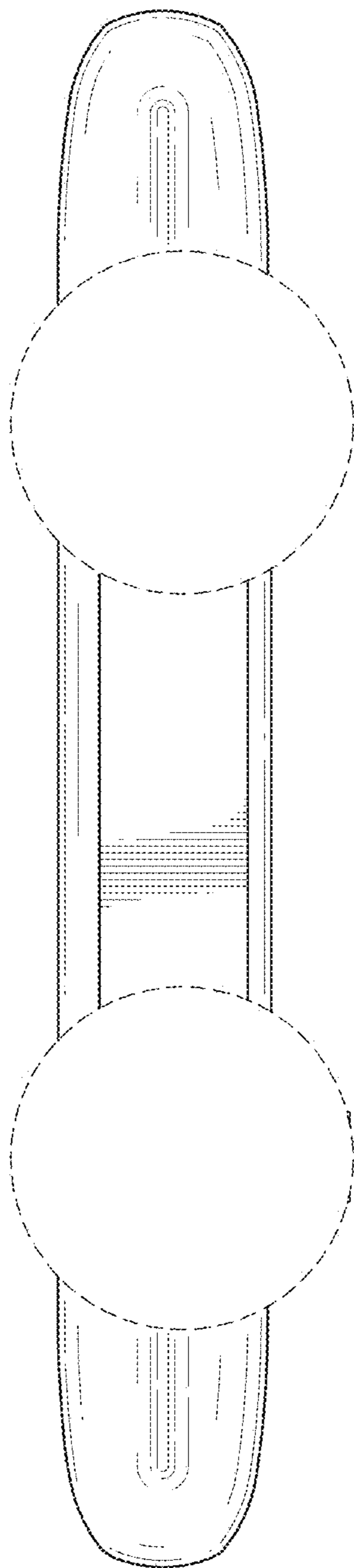


FIG. 7