



US00D738461S

(12) **United States Design Patent**
Laux et al.

(10) **Patent No.:** **US D738,461 S**
(45) **Date of Patent:** **** Sep. 8, 2015**

(54) **FUEL DISPENSING NOZZLE**

(71) Applicants: **Chris Laux**, Hamilton, OH (US);
Andrew Mendenhall, Mooresville, IN
(US); **Todd Midkiff**, Noblesville, IN
(US); **Paul Zink**, Fishers, IN (US)

(72) Inventors: **Chris Laux**, Hamilton, OH (US);
Andrew Mendenhall, Mooresville, IN
(US); **Todd Midkiff**, Noblesville, IN
(US); **Paul Zink**, Fishers, IN (US)

(73) Assignee: **OPW FUELING COMPONENTS
INC.**, Hamilton, OH (US)

(**) Term: **14 Years**

(21) Appl. No.: **29/520,316**

(22) Filed: **Mar. 13, 2015**

Related U.S. Application Data

(62) Division of application No. 29/456,342, filed on May
30, 2013, now Pat. No. Des. 728,736.

(30) **Foreign Application Priority Data**

Nov. 30, 2012 (EM) 002145748-0001
Nov. 30, 2012 (EM) 002145748-0002

(51) **LOC (10) Cl.** **23-01**

(52) **U.S. Cl.**
USPC **D23/213**

(58) **Field of Classification Search**
USPC D23/213, 223, 226; 239/525-527, 459;
141/392
See application file for complete search history.

(56) **References Cited**

U.S. PATENT DOCUMENTS

4,378,824	A *	4/1983	Carder, Sr.	141/206
5,645,115	A *	7/1997	Kesterman et al.	141/206
6,830,086	B2 *	12/2004	Smith et al.	141/392
7,234,614	B1 *	6/2007	Knight et al.	222/566
7,255,142	B2 *	8/2007	Carder et al.	141/392
D648,417	S *	11/2011	Varini	D23/226
8,066,037	B2 *	11/2011	Lawrence et al.	141/311 A
D650,047	S *	12/2011	Varini	D23/226

* cited by examiner

Primary Examiner — Robin V Webster

(74) *Attorney, Agent, or Firm* — Thompson Hine LLP

(57) **CLAIM**

The ornamental design for fuel dispensing nozzle, as shown
and described.

DESCRIPTION

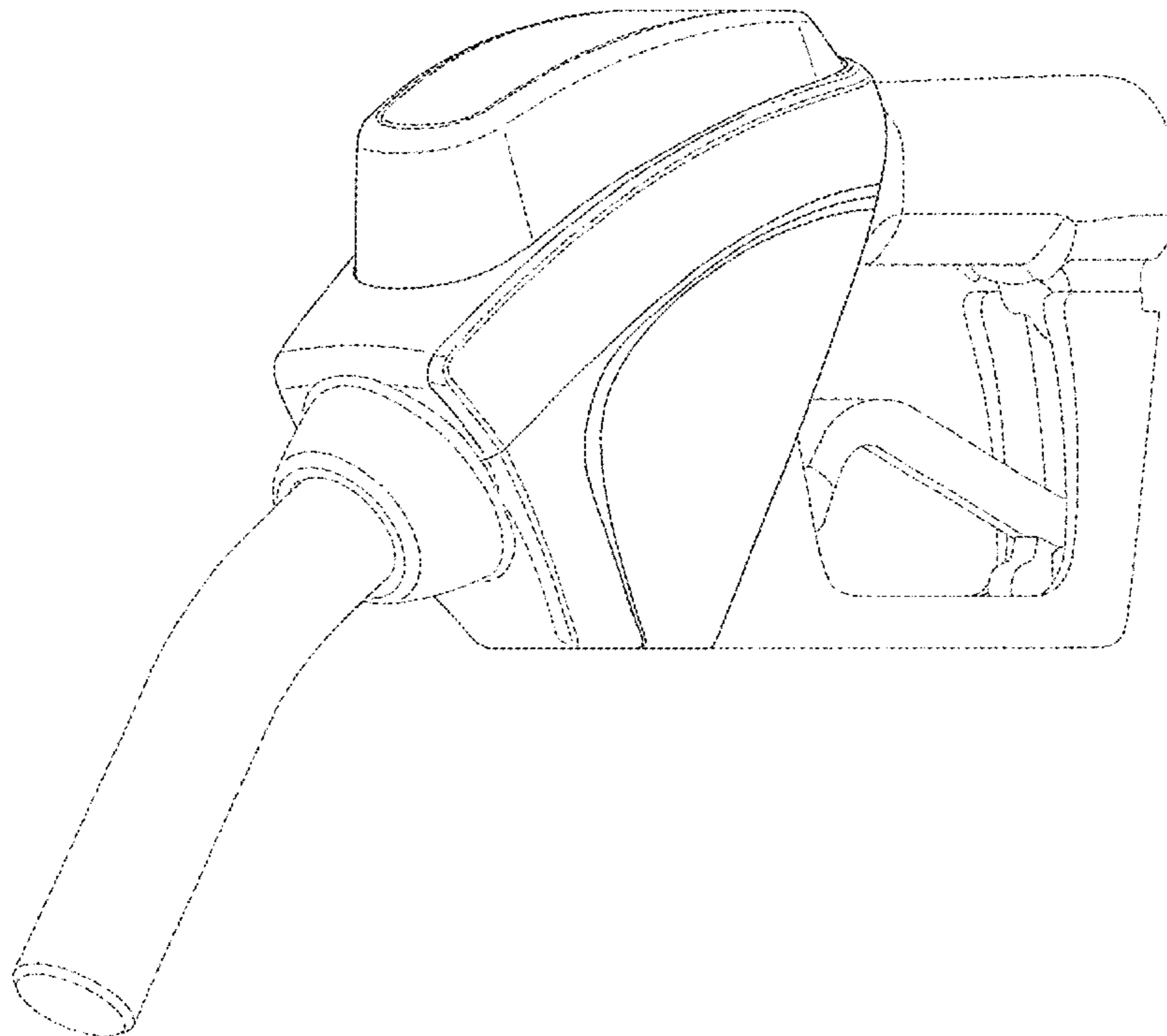
FIG. 1 is a front perspective view of one embodiment of the
design;

FIG. 2 is a side view of the design of FIG. 1; and,

FIG. 3 is a front view of the design of FIG. 1.

The dashed lines are for illustrative purposes only and do not
constitute any part of the claimed designed.

1 Claim, 3 Drawing Sheets



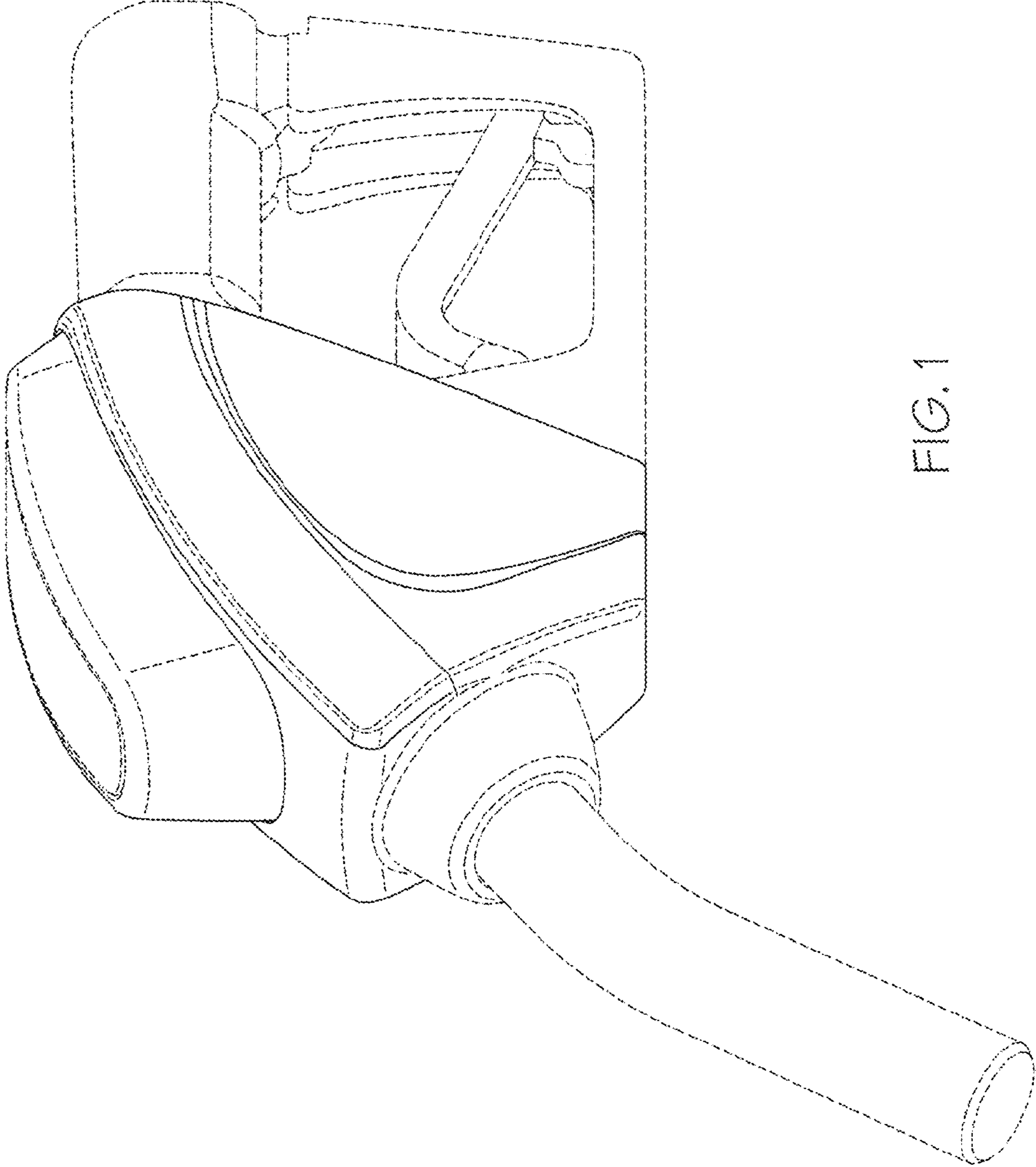


FIG. 1

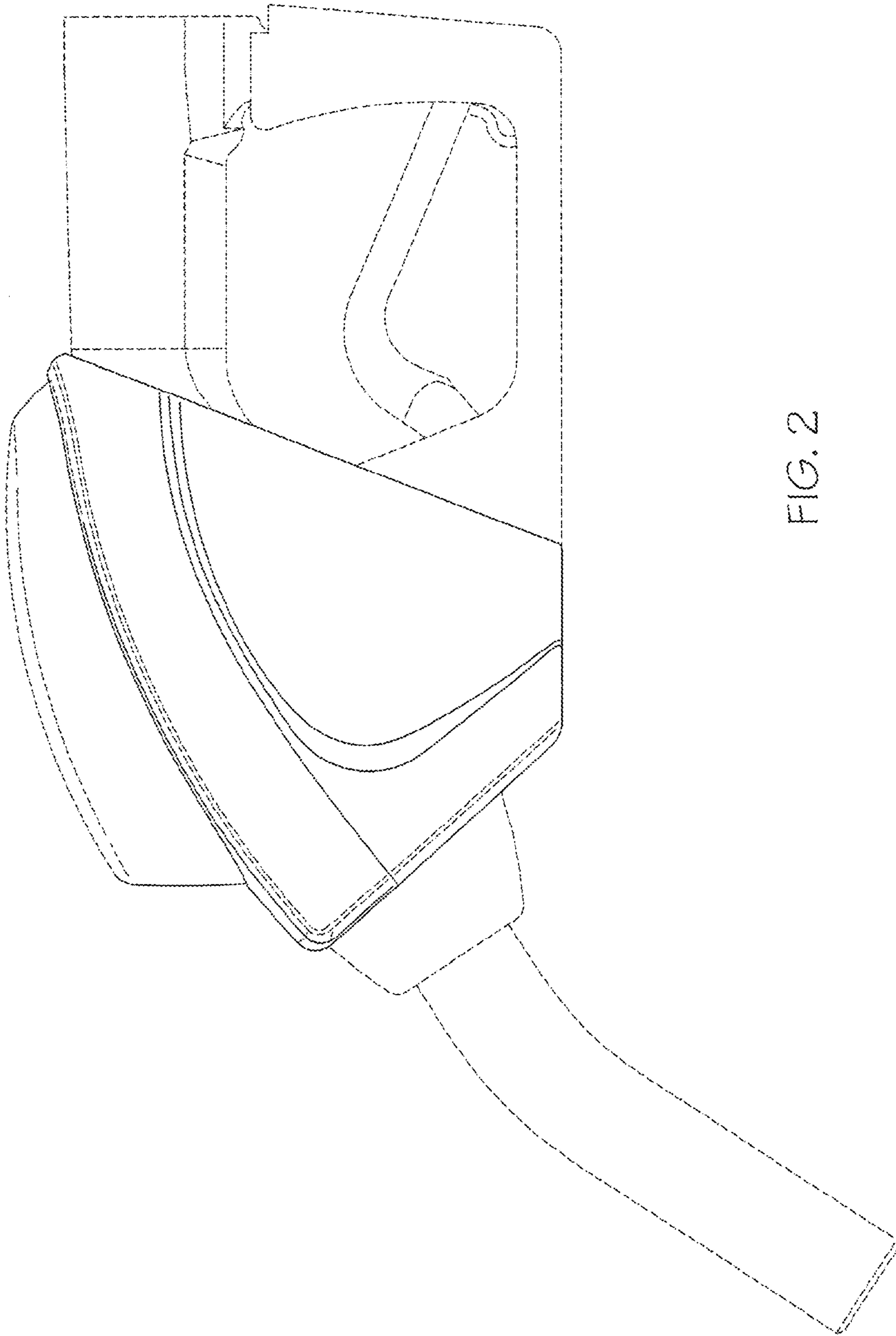


FIG. 2

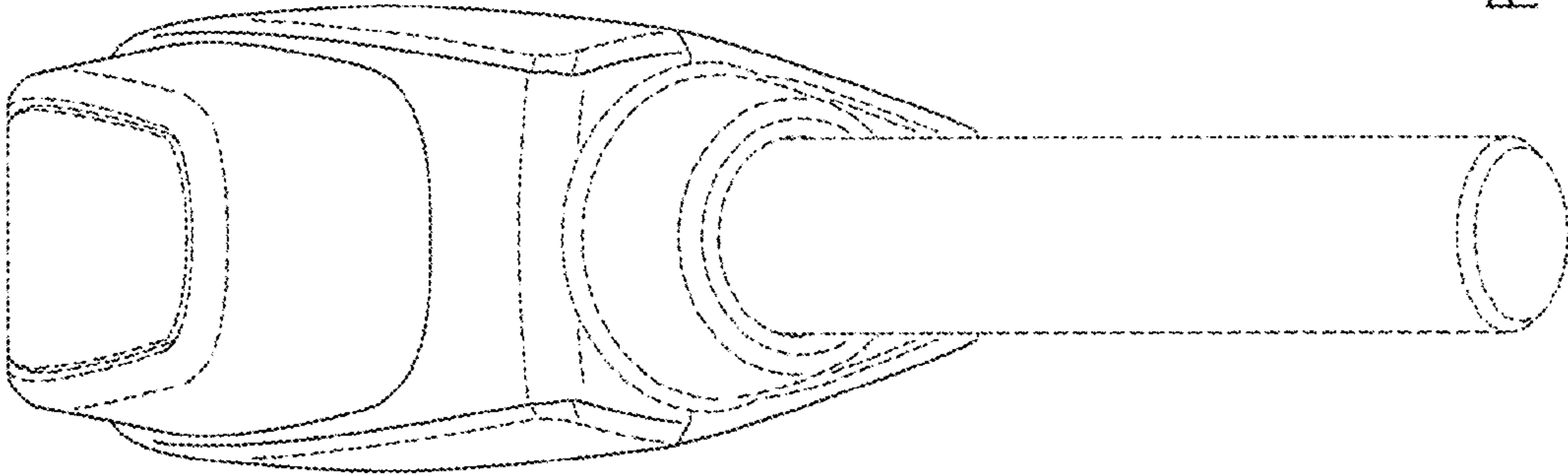


FIG. 3