



US00D738460S

(12) **United States Design Patent**
Cook

(10) **Patent No.:** **US D738,460 S**

(45) **Date of Patent:** **** Sep. 8, 2015**

(54) **TOILET WATER SUPPLY LINE FILTER**

6,926,829 B2 * 8/2005 Dannstrom et al. 210/321.88
7,127,750 B2 10/2006 Lim
D594,927 S * 6/2009 Amtmann D23/209

(71) Applicant: **Edward Cook**, Healdsburg, CA (US)

* cited by examiner

(72) Inventor: **Edward Cook**, Healdsburg, CA (US)

Primary Examiner — Robin V Webster

(**) Term: **14 Years**

(74) *Attorney, Agent, or Firm* — Crossley Patent Law

(21) Appl. No.: **29/509,149**

(22) Filed: **Nov. 14, 2014**

(51) **LOC (10) Cl.** **23-01**

(52) **U.S. Cl.**
USPC **D23/209**

(58) **Field of Classification Search**

USPC D23/207, 209; 4/213, 214, 256.1,
4/DIG. 14; 210/435, 448, 321.79
See application file for complete search history.

(57) **CLAIM**

The ornamental design for a toilet water supply line filter, as shown and described.

DESCRIPTION

FIG. 1 is a front elevation view of a toilet water supply line filter showing my new design, each of the opposite side, the left side, and the right side being a mirror image of the shown; FIG. 2 is a top plan view thereof; FIG. 3 is a bottom plan view thereof; FIG. 4 is an isometric view thereof; and, FIG. 5 is an in-use view thereof.

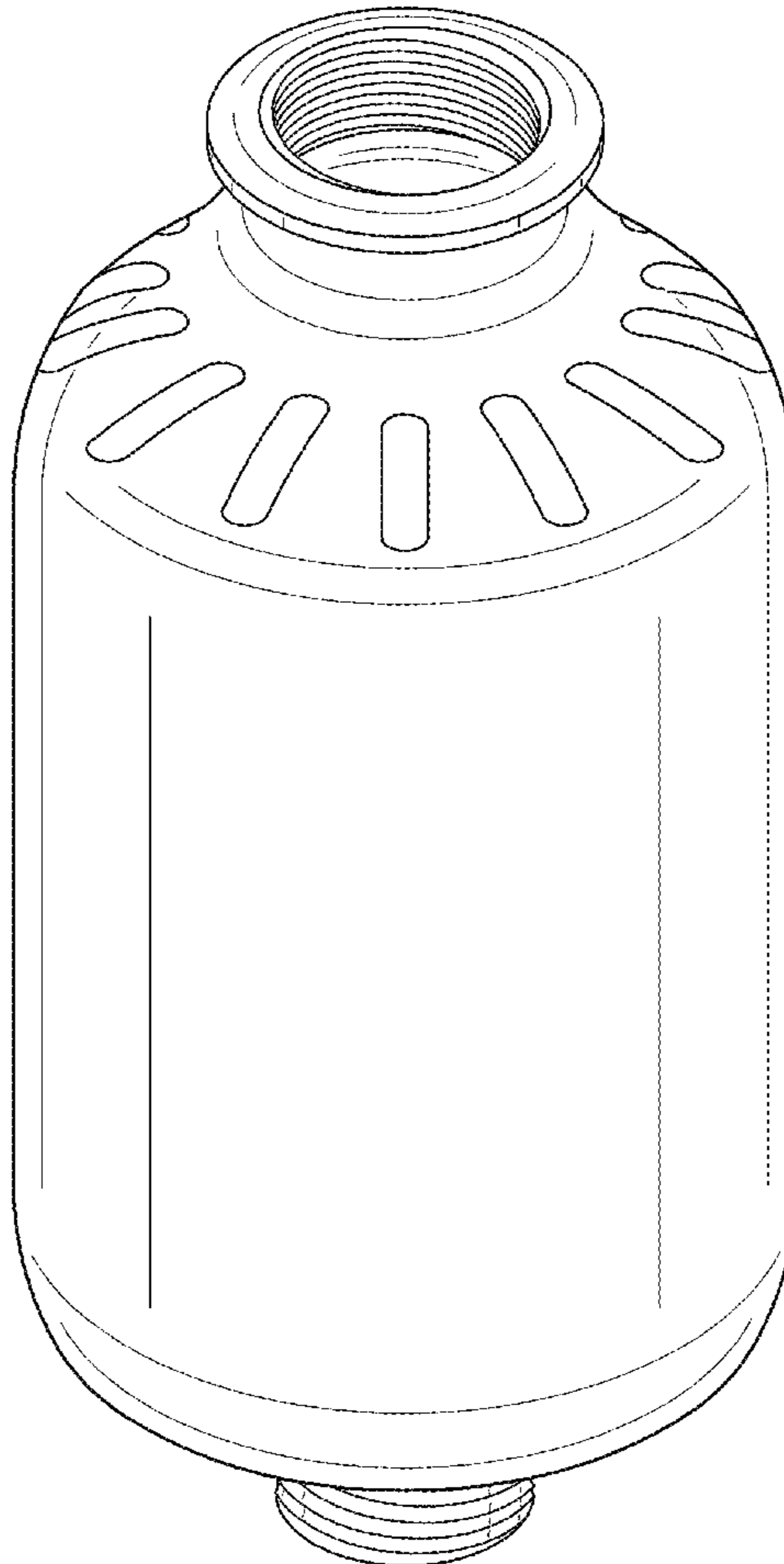
The broken lines in FIG. 5 of the drawings depict a toilet with a water supply line as environmental subject matter only and form no part of the claimed design.

(56) **References Cited**

U.S. PATENT DOCUMENTS

1,214,165 A * 1/1917 Howd 4/214
2,974,324 A * 3/1961 Lundelius 4/256.1
4,504,983 A 3/1985 Goodyer
6,494,325 B1 12/2002 Mizrahi

1 Claim, 4 Drawing Sheets



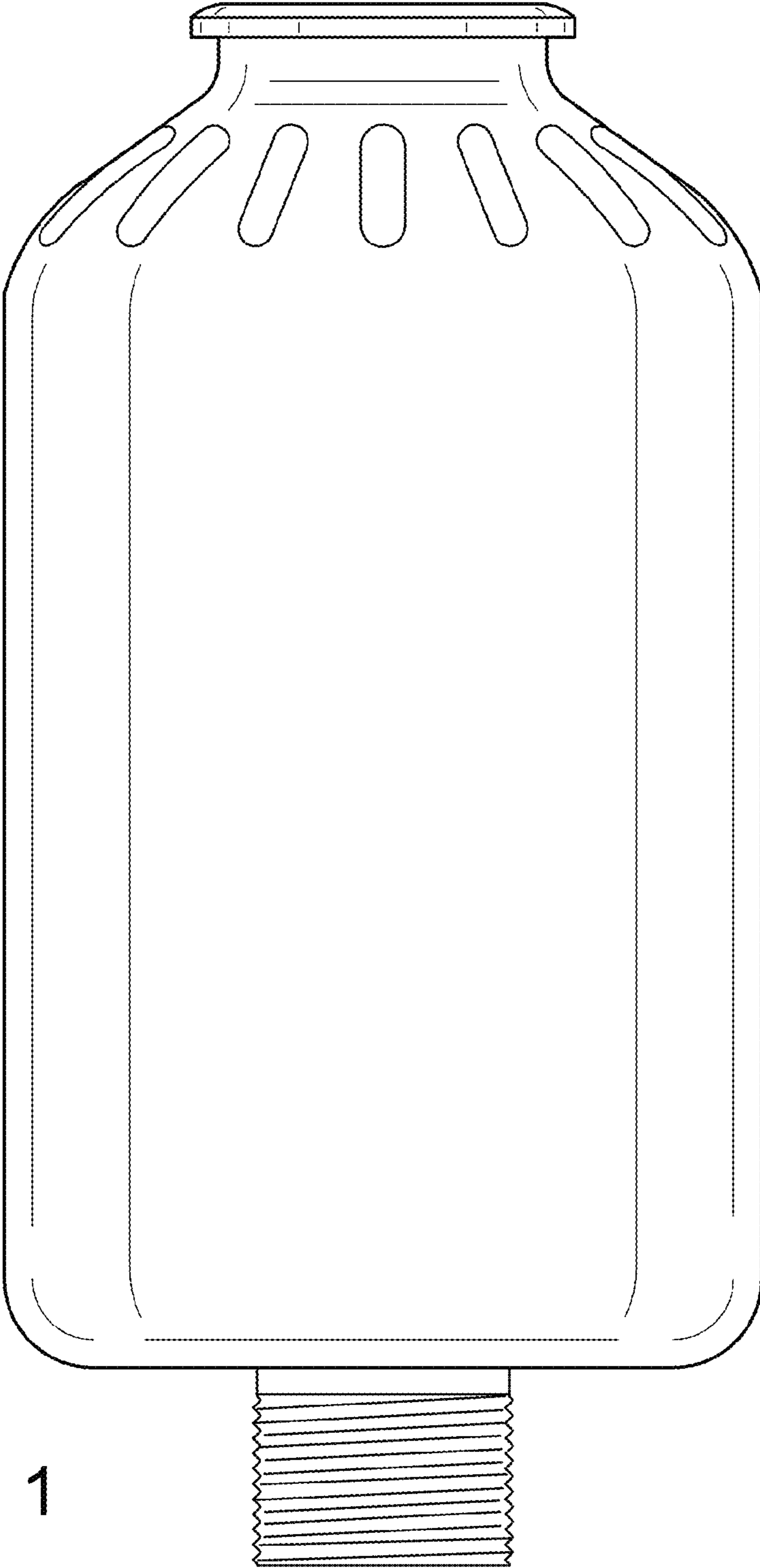


FIG. 1

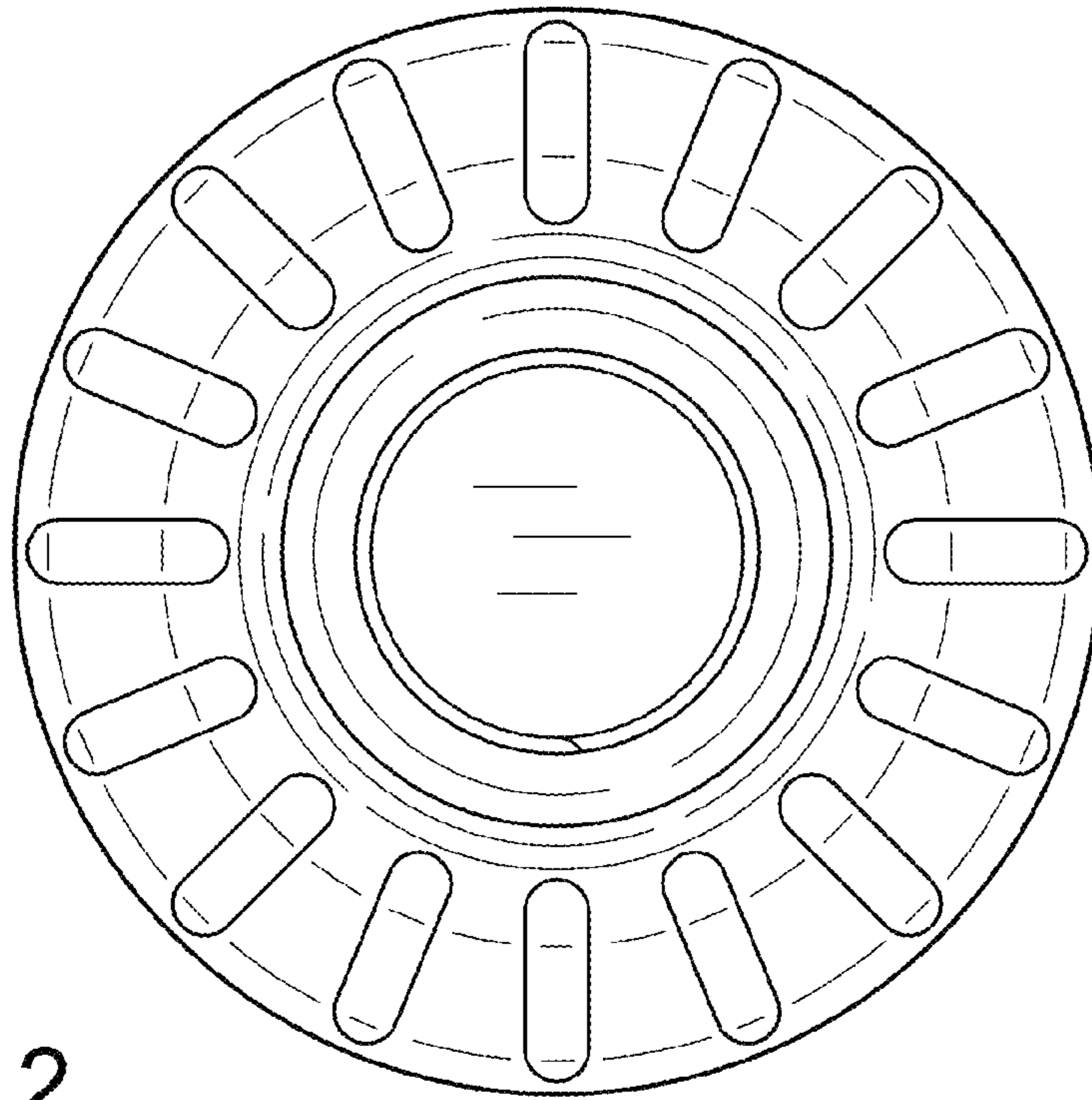


FIG. 2

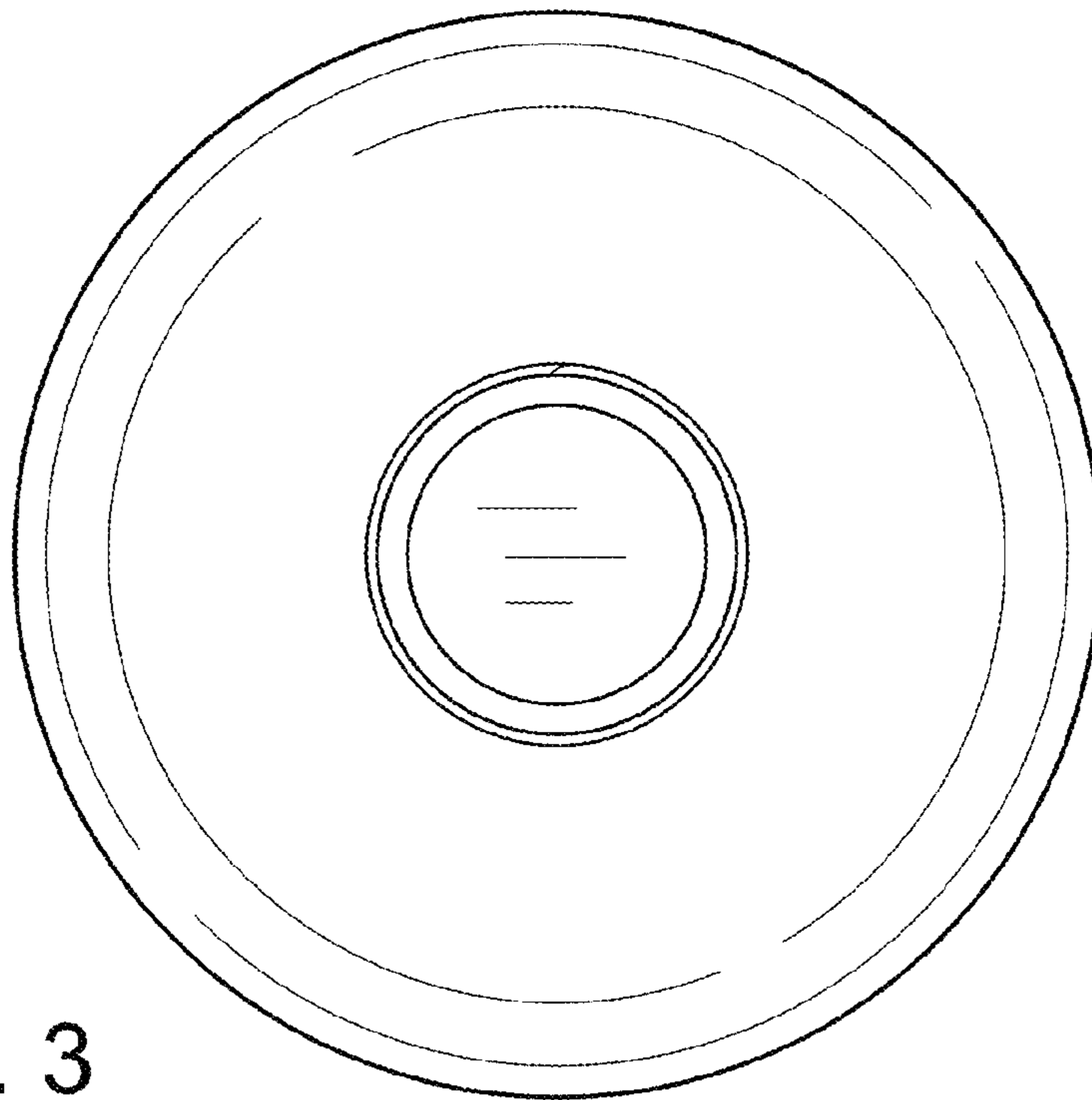


FIG. 3

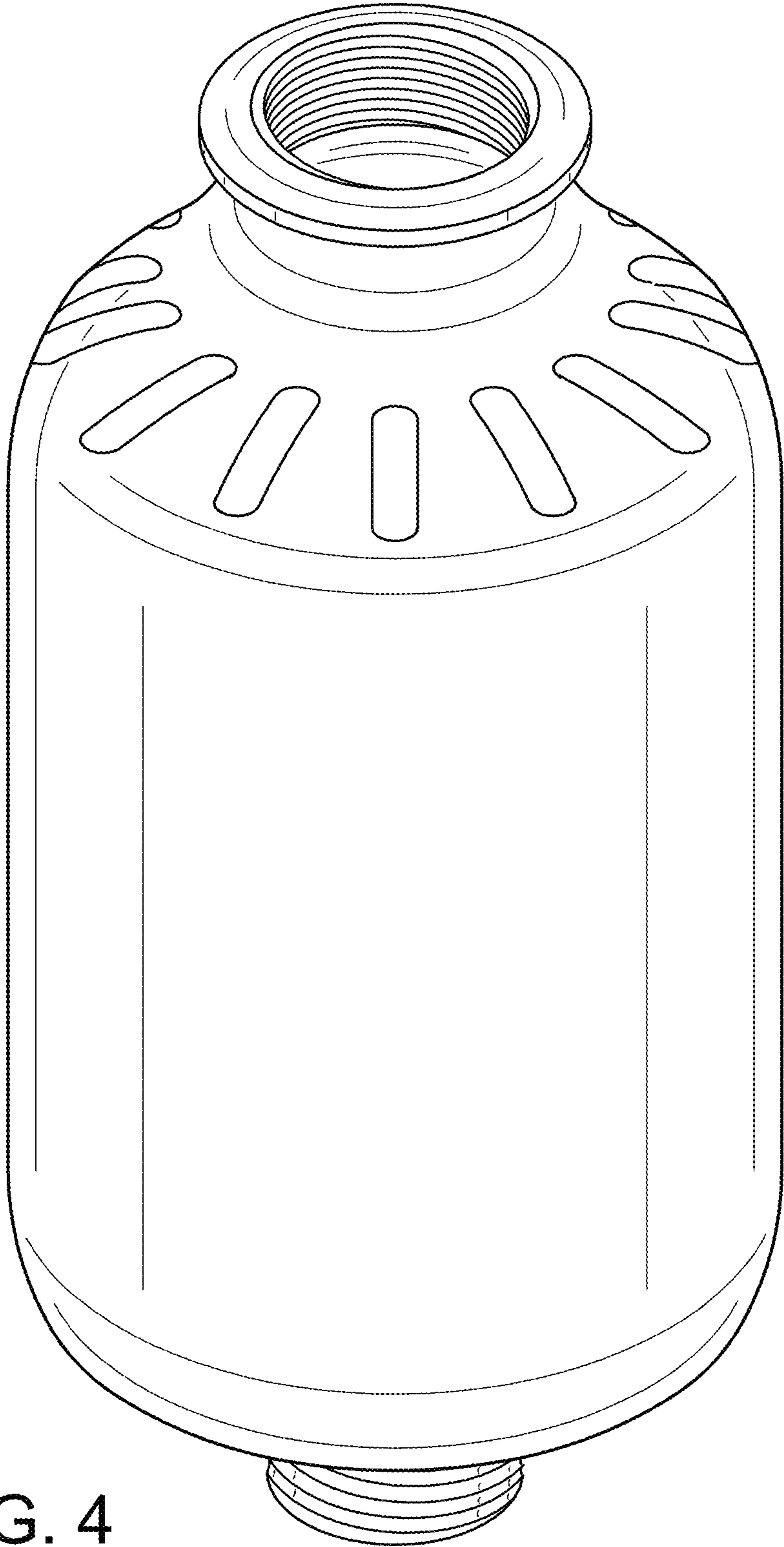


FIG. 4

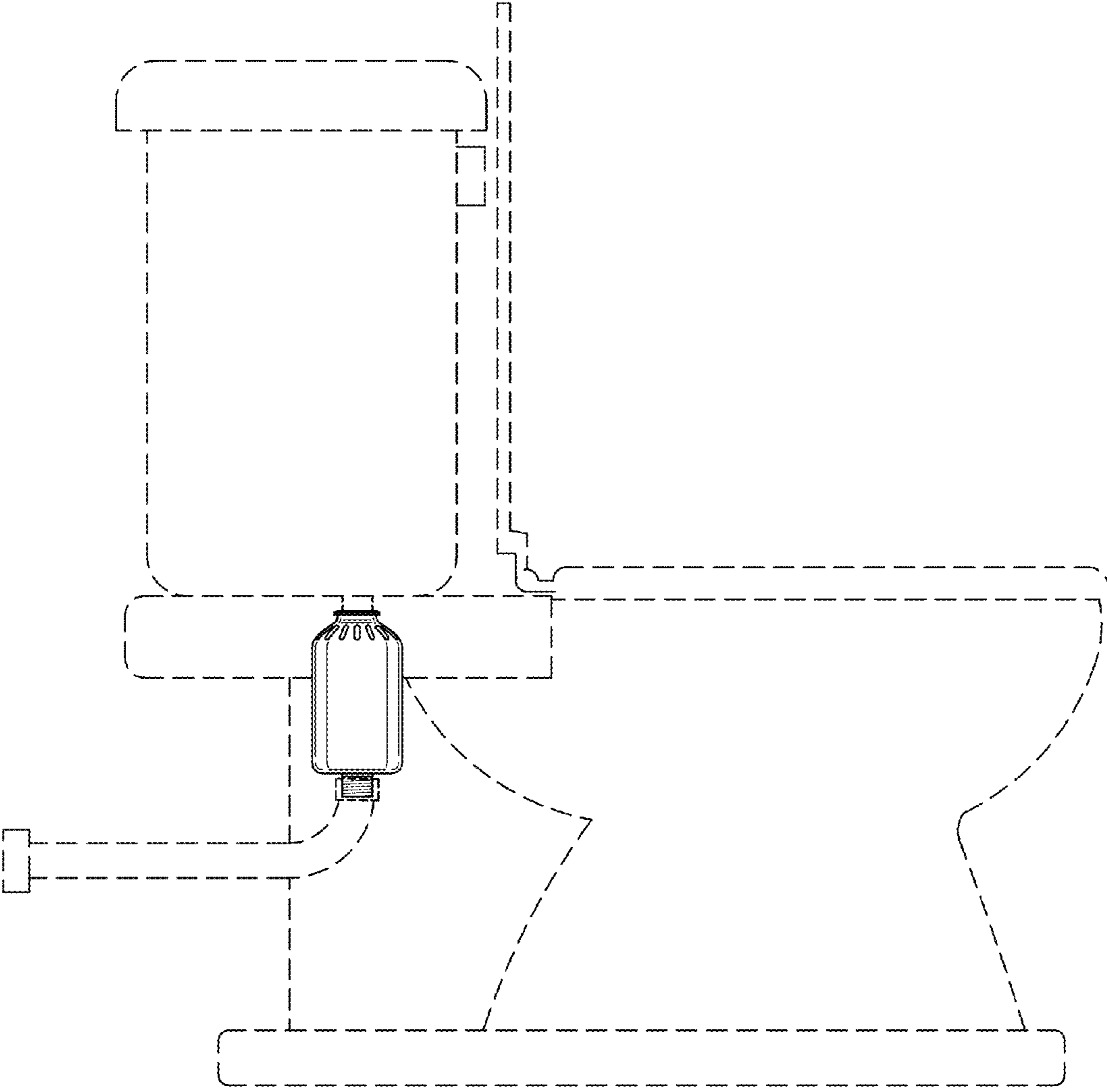


FIG. 5