



US00D738456S

(12) **United States Design Patent**
Hughes

(10) **Patent No.:** **US D738,456 S**
(45) **Date of Patent:** **** Sep. 8, 2015**

(54) **LASER DEVICE**
(71) Applicant: **Crimson Trace Corporation,**
Wilsonville, OR (US)
(72) Inventor: **Daniel L. Hughes,** Damascus, OR (US)
(73) Assignee: **Crimson Trace Corporation,**
Wilsonville, OR (US)
(**) Term: **14 Years**
(21) Appl. No.: **29/488,832**
(22) Filed: **Apr. 23, 2014**

(51) **LOC (10) Cl.** **22-01**
(52) **U.S. Cl.**
USPC **D22/109**
(58) **Field of Classification Search**
USPC D22/108-109; 89/111-113; 359/399,
359/823, 744; 42/104, 105, 111-113, 116,
42/120, 124-126, 127-129, 141-148,
42/133-140; 33/227, 229
CPC ... F41G 11/002; F41G 11/003; F41G 11/004;
F41G 11/005; F41G 1/00; F41G 1/01; F41G
1/02; F41G 1/06; F41G 1/065; F41G 1/08;
F41G 1/10; F41G 1/12; F41G 1/14; F41G
1/30; F41G 1/32; F41G 1/38; F41G 1/40;
F41G 1/42; F41G 1/44; F41G 1/46; F41G
1/383; F41G 1/387; F41G 1/393; F41G 3/00;
F41G 3/005; F41G 3/02; F41G 3/04; F41G
3/06; F41G 3/14
See application file for complete search history.

(56) **References Cited**
U.S. PATENT DOCUMENTS
D603,478 S * 11/2009 Hughes D22/110
D612,970 S * 3/2010 Sharrah et al. D26/60

D636,049 S * 4/2011 Hughes et al. D22/109
D636,837 S * 4/2011 Hughes et al. D22/109
D669,553 S * 10/2012 Hughes et al. D22/109
D669,958 S * 10/2012 Essig et al. D22/108
D674,861 S * 1/2013 Johnston et al. D22/109
D674,862 S * 1/2013 Johnston et al. D22/109
D687,120 S * 7/2013 Hughes et al. D22/109
D692,518 S * 10/2013 Anderson et al. D22/109
D693,898 S * 11/2013 Essig et al. D22/109
D694,847 S * 12/2013 Anderson et al. D22/109
D694,848 S * 12/2013 Anderson et al. D22/109
D696,376 S * 12/2013 Anderson et al. D22/109
8,695,267 B2 * 4/2014 Houde-Walter 42/146
D709,981 S * 7/2014 Johnston et al. D22/108
2012/0124885 A1 * 5/2012 Caulk et al. 42/146
2012/0144718 A1 * 6/2012 Danielson et al. 42/117

* cited by examiner

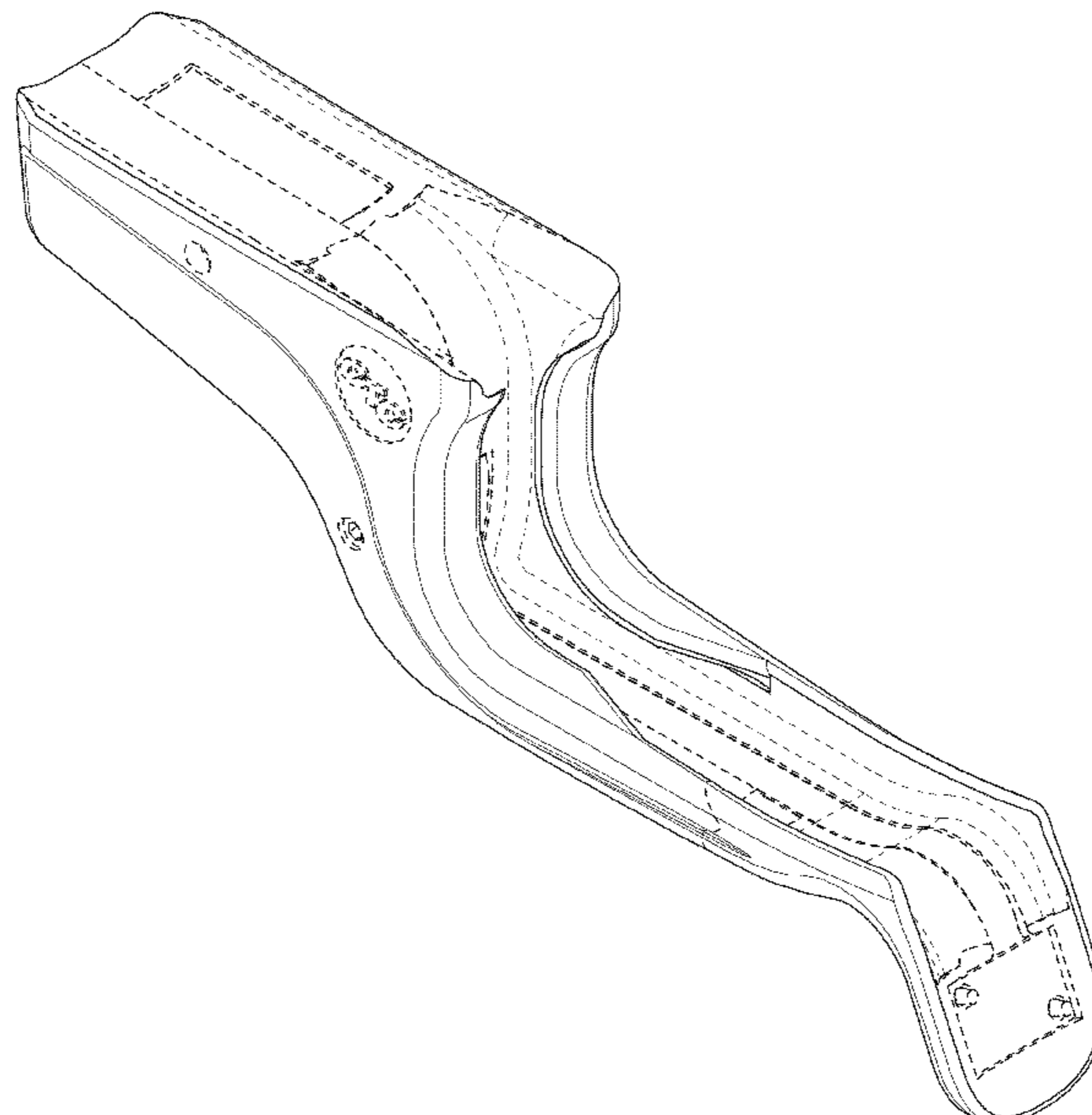
Primary Examiner — Michael A Pratt
(74) *Attorney, Agent, or Firm* — Schwabe, Williamson &
Wyatt, P.C.

(57) **CLAIM**
We claim an ornamental design for a laser device, as shown
and described.

DESCRIPTION

FIG. 1 is a perspective view of a laser device, showing our
new design;
FIG. 2 is a front view thereof;
FIG. 3 is a rear view thereof;
FIG. 4 is a right side view thereof;
FIG. 5 is a left side view thereof;
FIG. 6 is a top view thereof; and,
FIG. 7 is a bottom view thereof.
The dashed lines are included for illustrating interior and/or
environmental structures and form no part of the claimed
design.

1 Claim, 6 Drawing Sheets



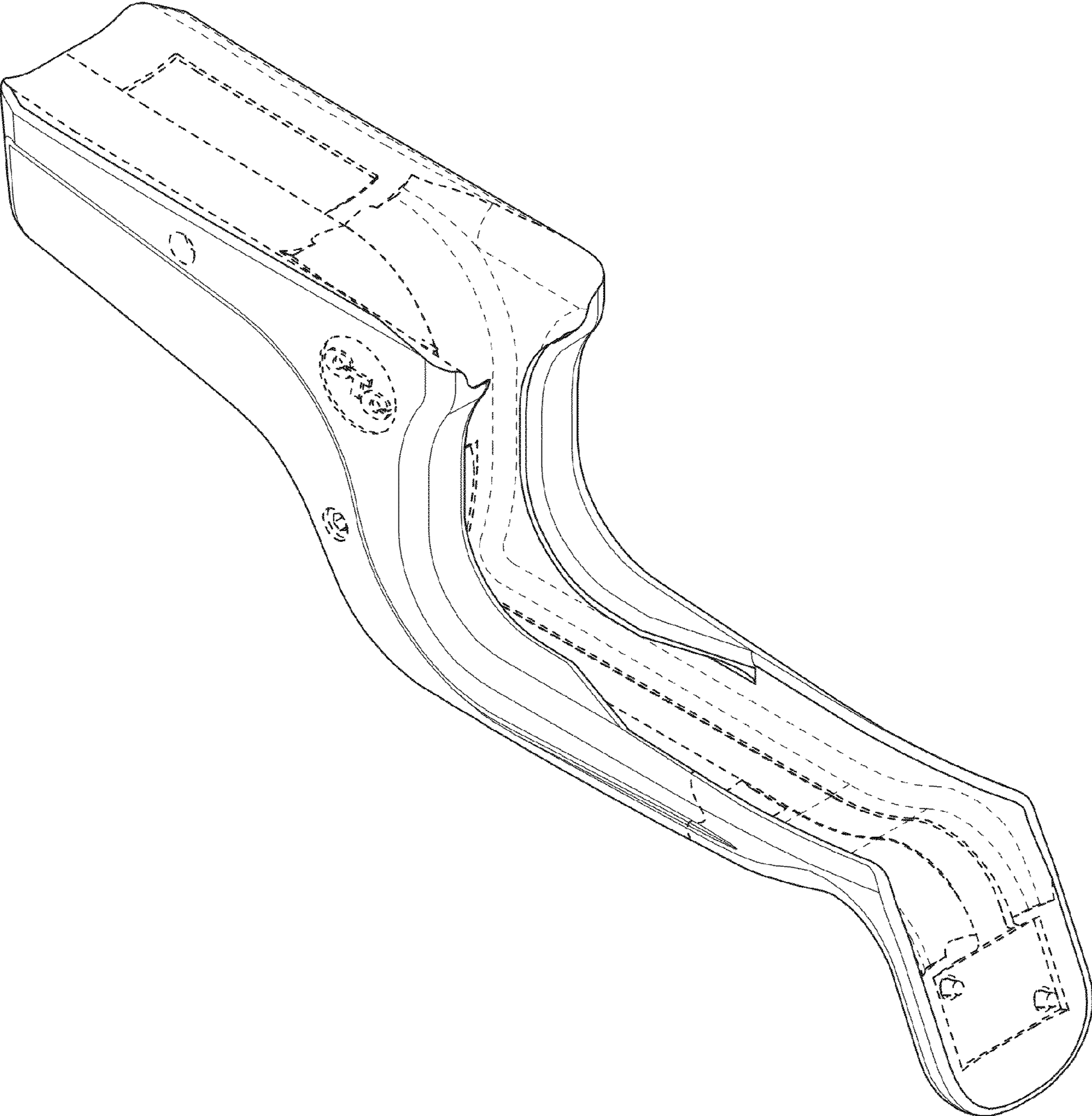


FIG. 1

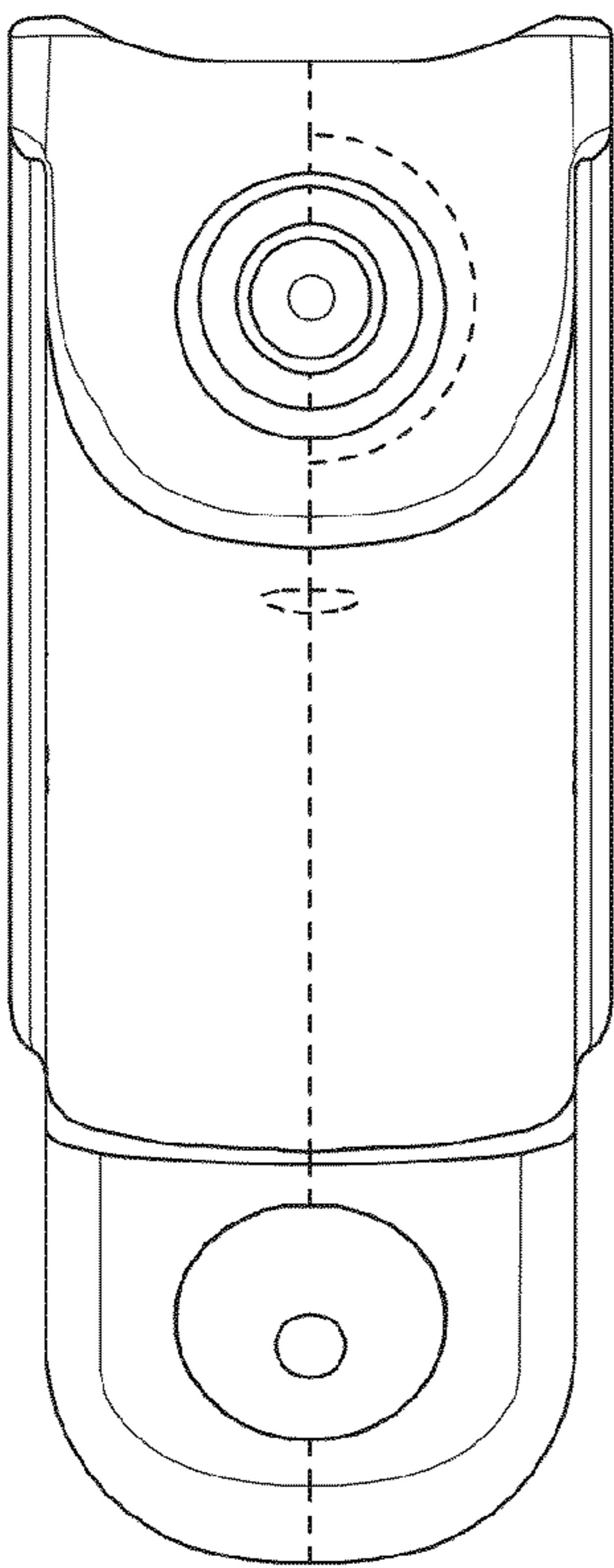


FIG. 2

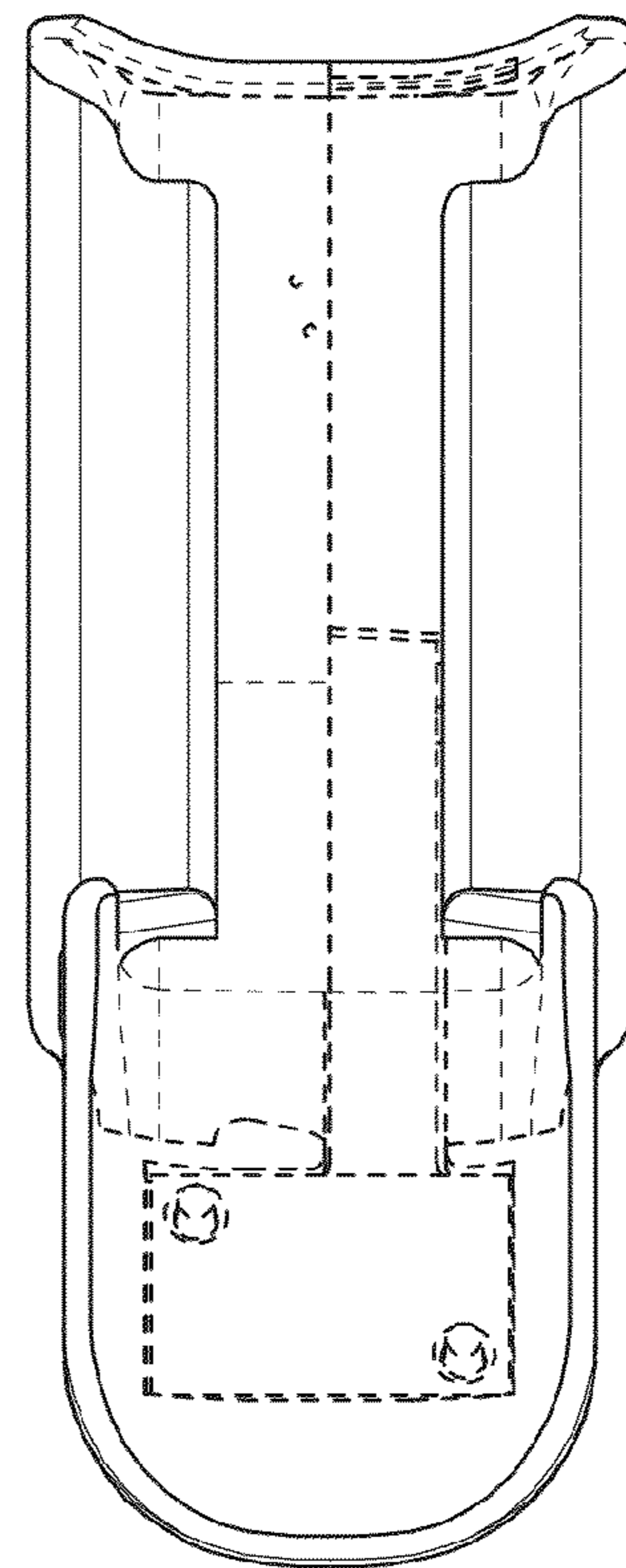


FIG. 3

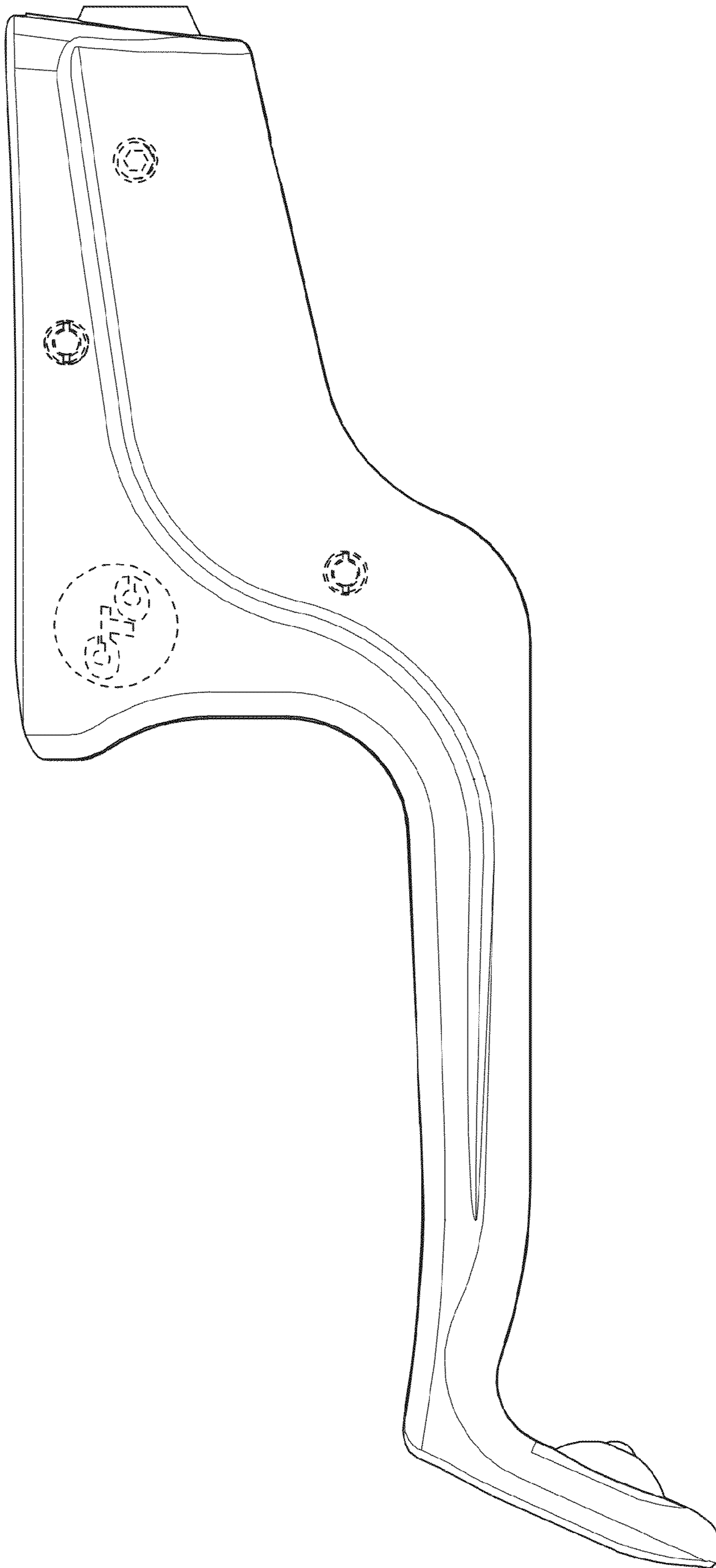


FIG. 4

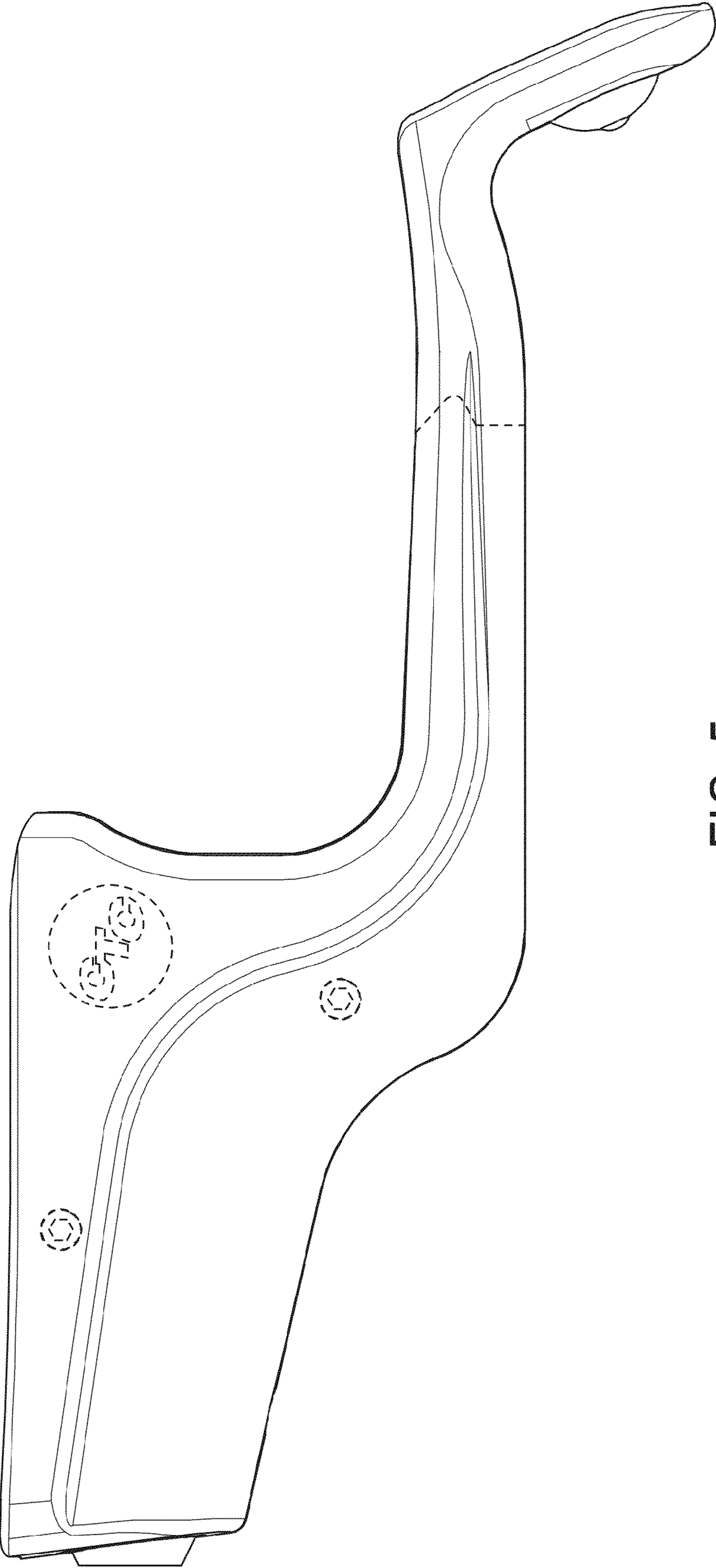


FIG. 5

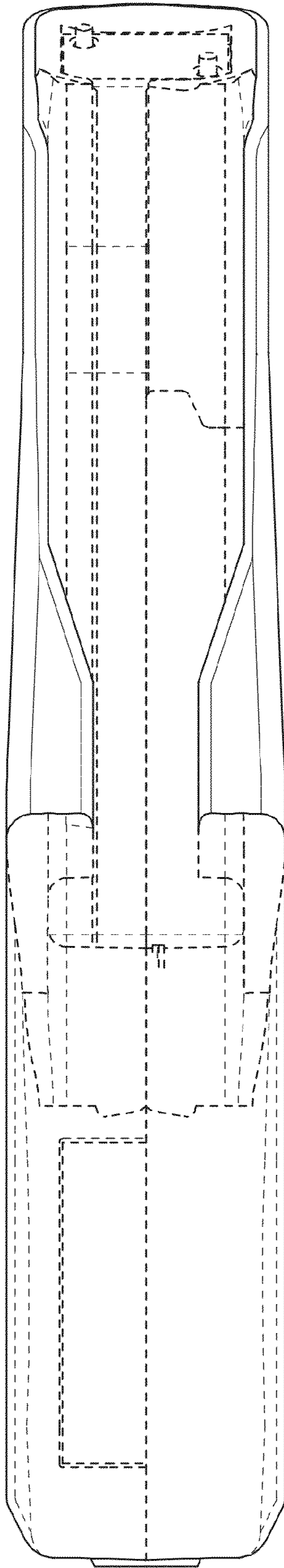


FIG. 6

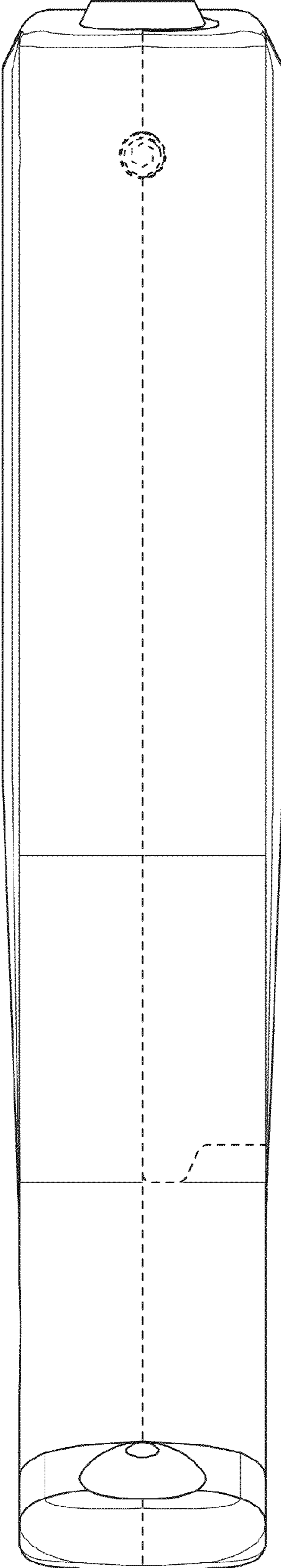


FIG. 7