



US00D738455S

(12) **United States Design Patent**
Homem de Mello Anderson et al.

(10) **Patent No.:** **US D738,455 S**

(45) **Date of Patent:** **** Sep. 8, 2015**

(54) **LASER DEVICE**

(56) **References Cited**

(71) Applicant: **Crimson Trace Corporation,**
Wilsonville, OR (US)

U.S. PATENT DOCUMENTS

(72) Inventors: **Danny Homem de Mello Anderson,**
Wilsonville, OR (US); **Scott C. Hartley,**
Portland, OR (US); **Fred Karl,** Tigard,
OR (US)

7,188,978	B2 *	3/2007	Sharrah et al.	362/396
D612,970	S *	3/2010	Sharrah et al.	D26/60
8,695,267	B2 *	4/2014	Houde-Walter	42/146
2012/0124885	A1 *	5/2012	Caulk et al.	42/146
2014/0305021	A1 *	10/2014	Prieto	42/111
2015/0124436	A1 *	5/2015	Galli et al.	362/110
2015/0184978	A1 *	7/2015	Hedeen	42/114

(73) Assignee: **Crimson Trace Corporation,**
Wilsonville, OR (US)

* cited by examiner

(**) Term: **14 Years**

Primary Examiner — Michael A Pratt

(21) Appl. No.: **29/488,830**

(74) *Attorney, Agent, or Firm* — Schwabe, Williamson &
Wyatt, P.C.

(22) Filed: **Apr. 23, 2014**

(51) **LOC (10) Cl.** **22-01**

(52) **U.S. Cl.**
USPC **D22/109**

(57) **CLAIM**

We claim an ornamental design for a laser device, as shown
and described.

(58) **Field of Classification Search**

DESCRIPTION

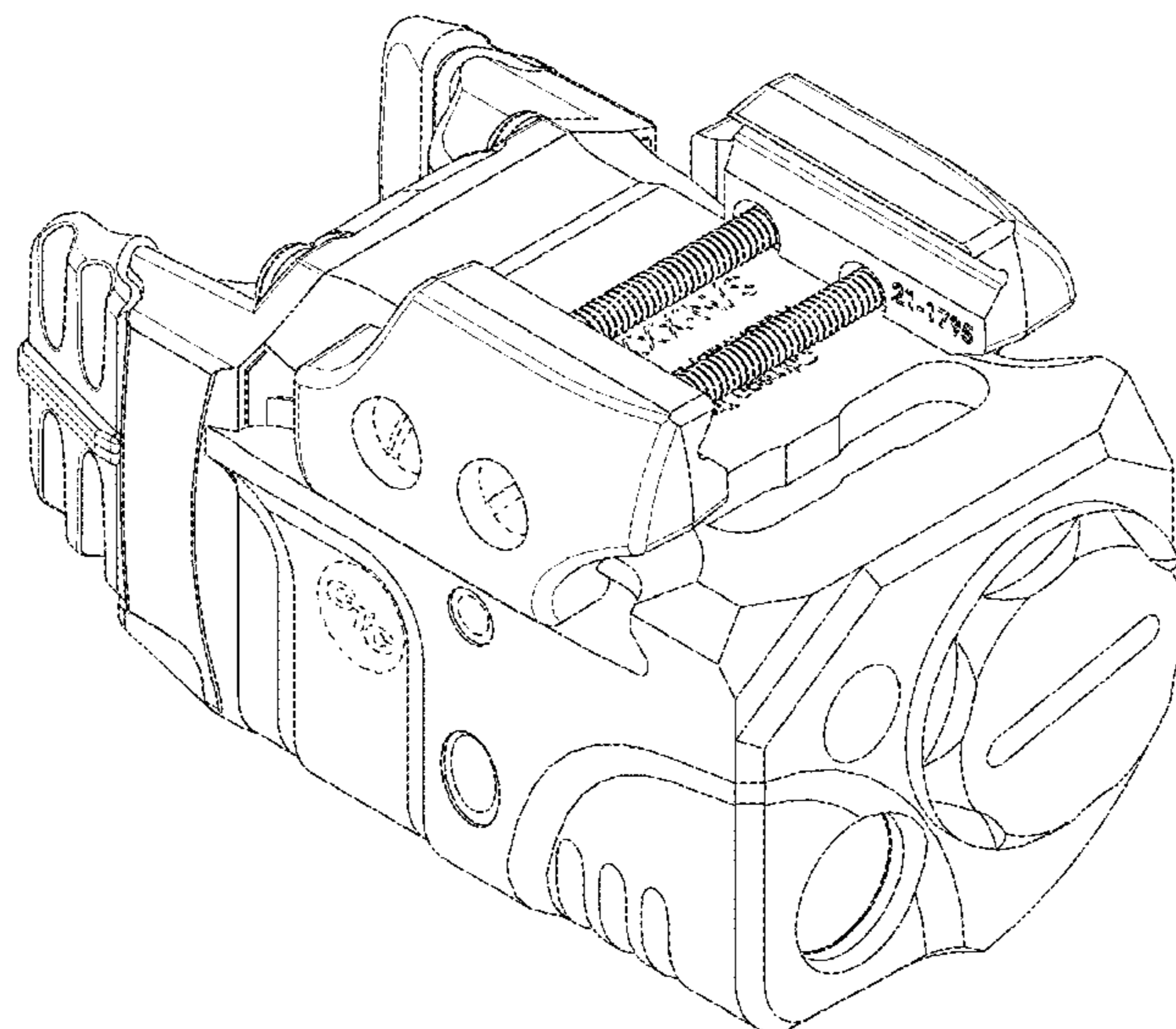
USPC D22/108–109; 89/111–113; 359/399,
359/823, 744; 42/104, 105, 111–113, 116,
42/120, 124–126, 127–129, 141–148,
42/133–140; 33/227, 229

CPC ... F41G 11/002; F41G 11/003; F41G 11/004;
F41G 11/005; F41G 1/00; F41G 1/01; F41G
1/02; F41G 1/06; F41G 1/065; F41G 1/08;
F41G 1/10; F41G 1/12; F41G 1/14; F41G
1/30; F41G 1/32; F41G 1/38; F41G 1/40;
F41G 1/42; F41G 1/44; F41G 1/46; F41G
1/383; F41G 1/387; F41G 1/393; F41G 3/00;
F41G 3/005; F41G 3/02; F41G 3/04; F41G
3/06; F41G 3/14

FIG. 1 is a perspective view of a laser device, showing our
new design;
FIG. 2 is a front view thereof;
FIG. 3 is a rear view thereof;
FIG. 4 is a right side view thereof;
FIG. 5 is a left side view thereof;
FIG. 6 is a top view thereof;
FIG. 7 is a bottom view thereof;
FIG. 8 is a right side view of the laser device, shown with an
optional mounting insert; and,
FIG. 9 is a right side view, shown mounted to a handgun.
The dashed lines are included for illustrating interior and/or
environmental structures and form no part of the claimed
design.

See application file for complete search history.

1 Claim, 9 Drawing Sheets



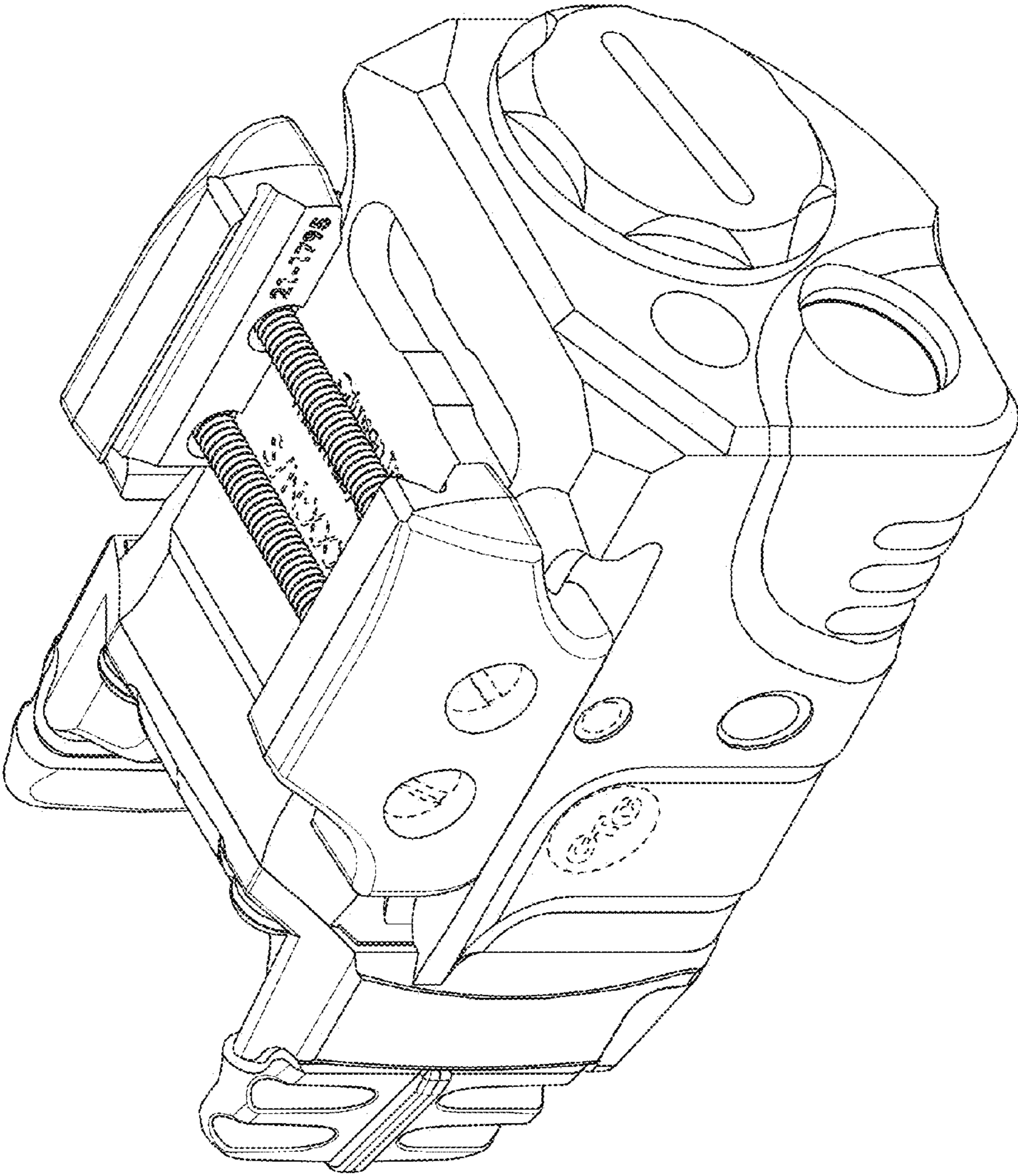


FIG. 1

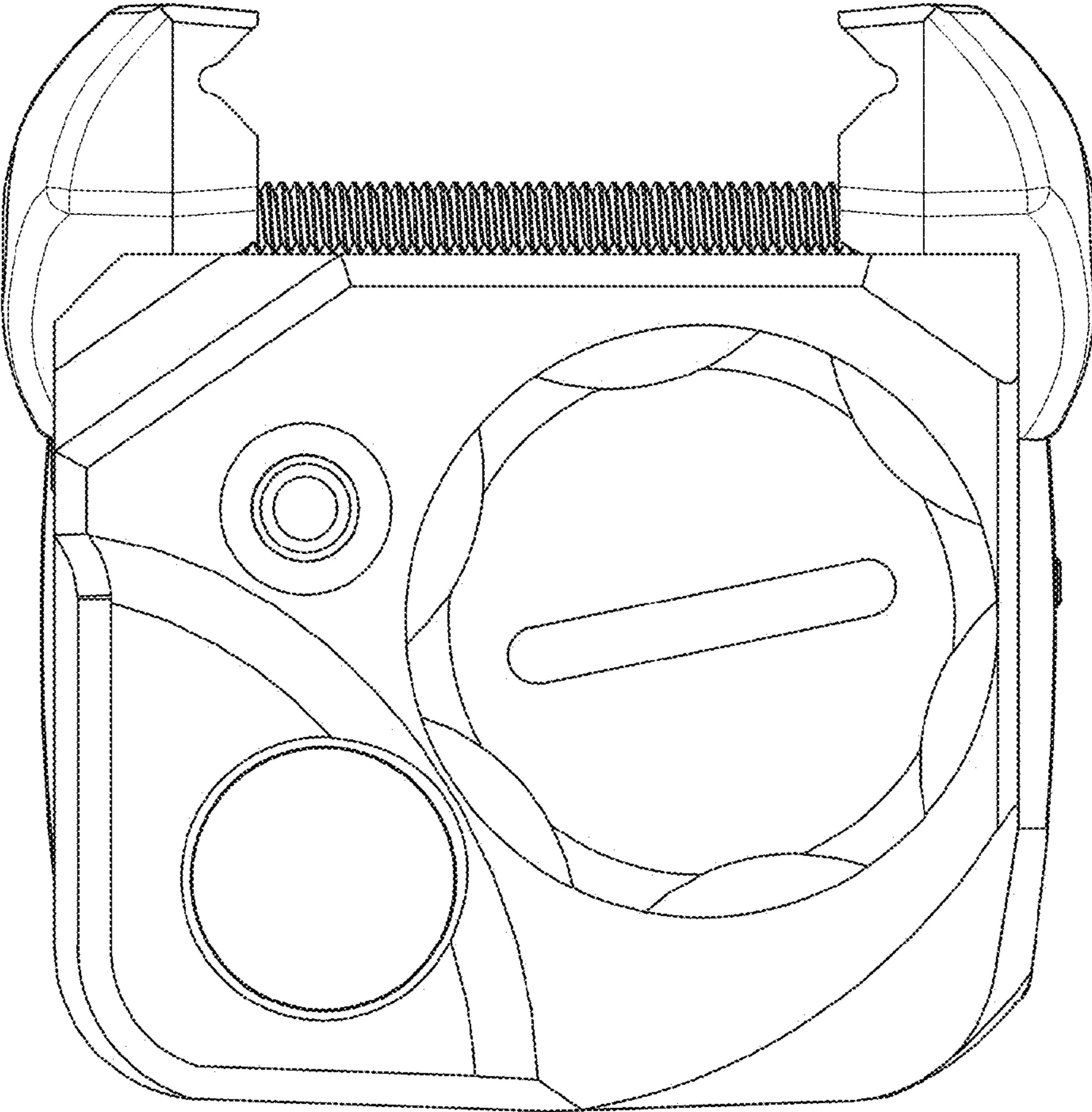


FIG. 2

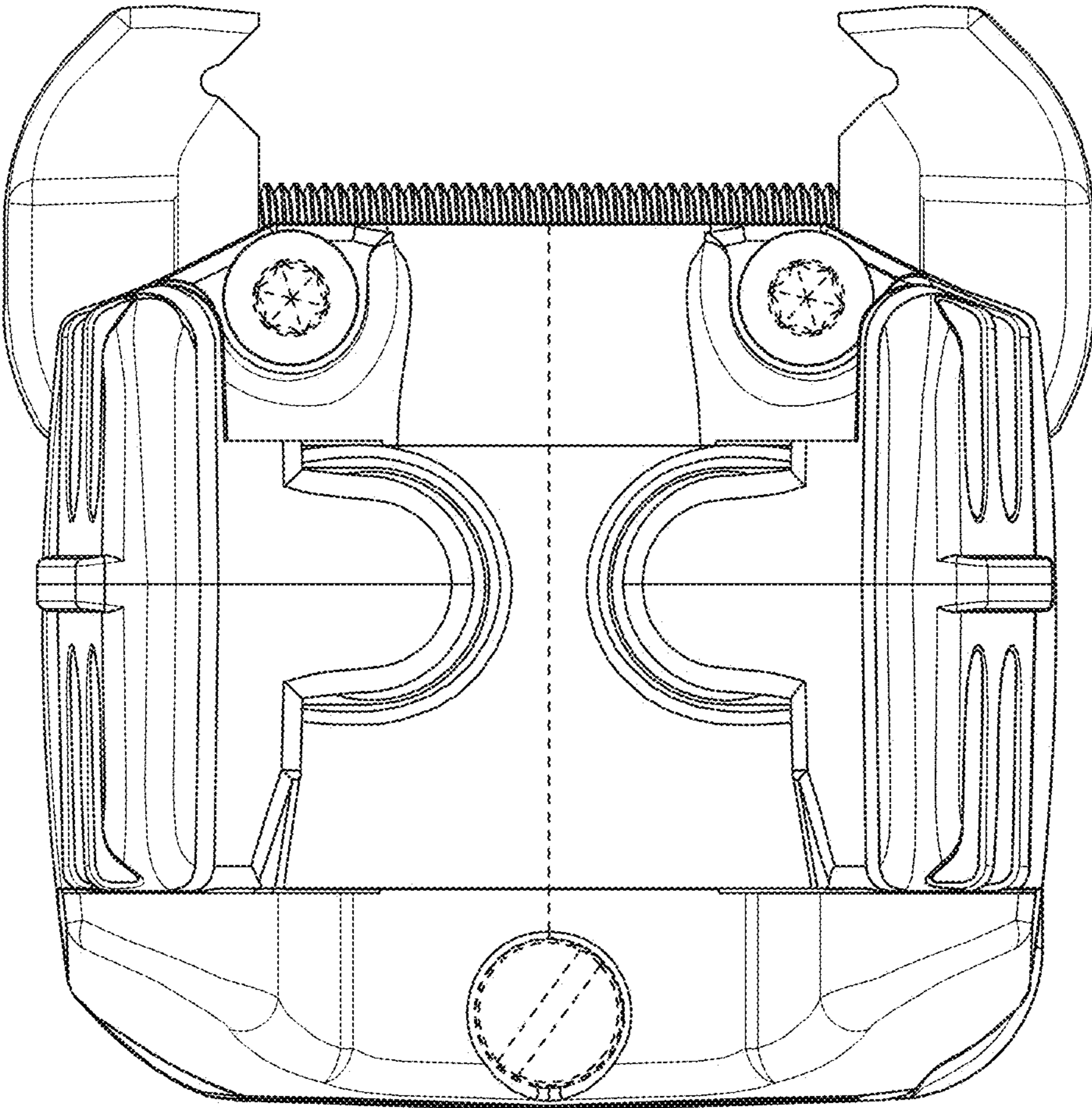


FIG. 3

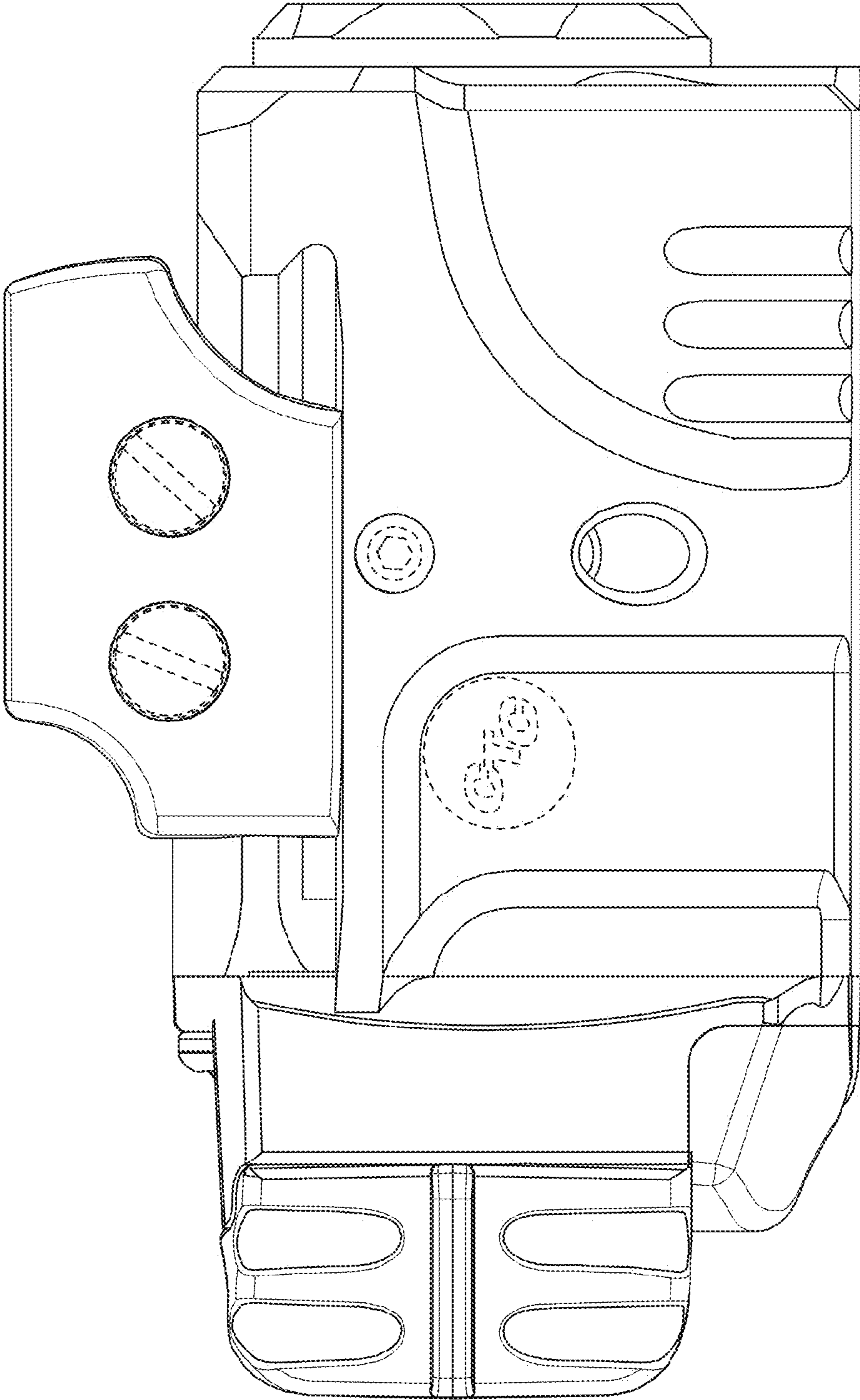


FIG. 4

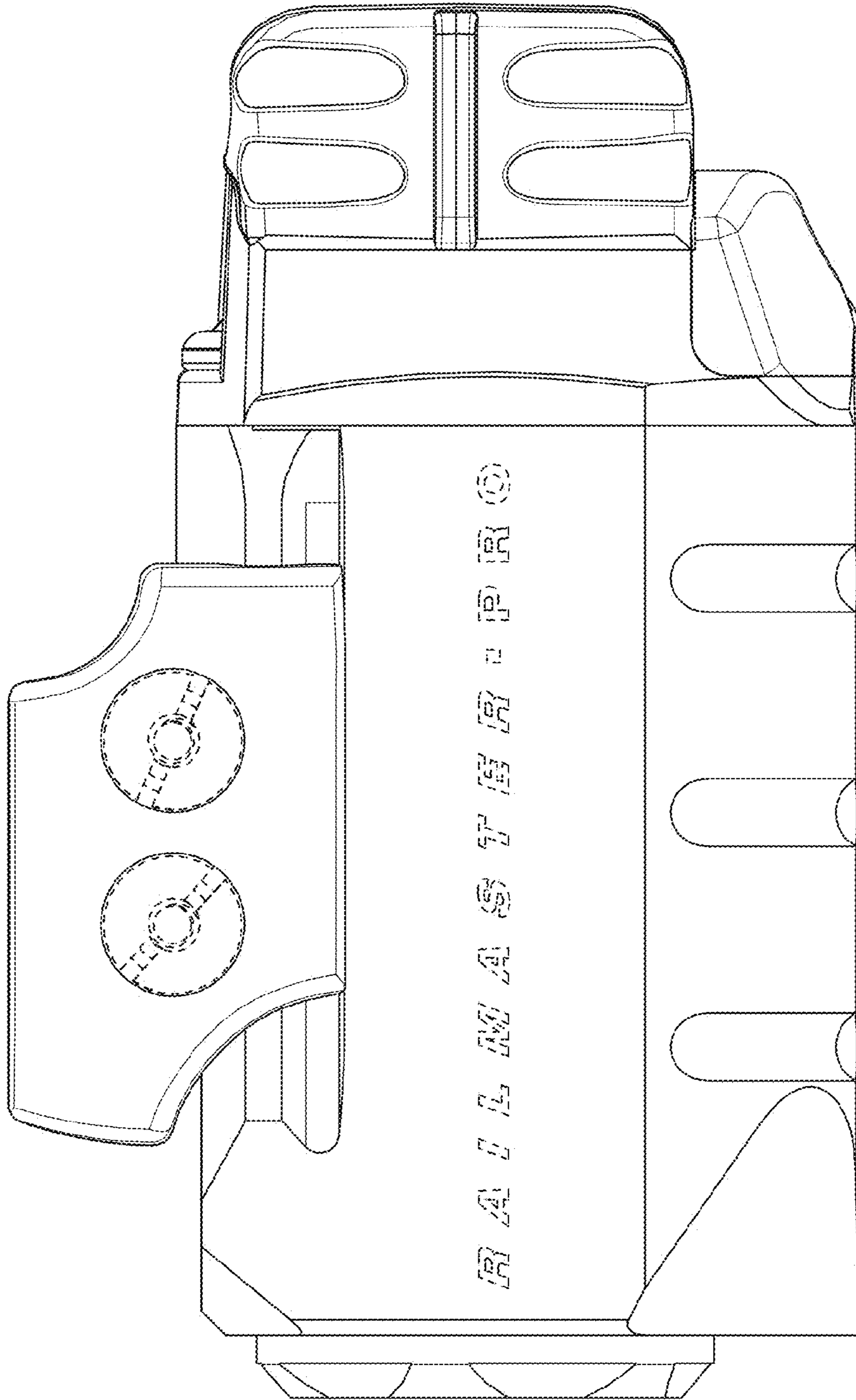


FIG. 5

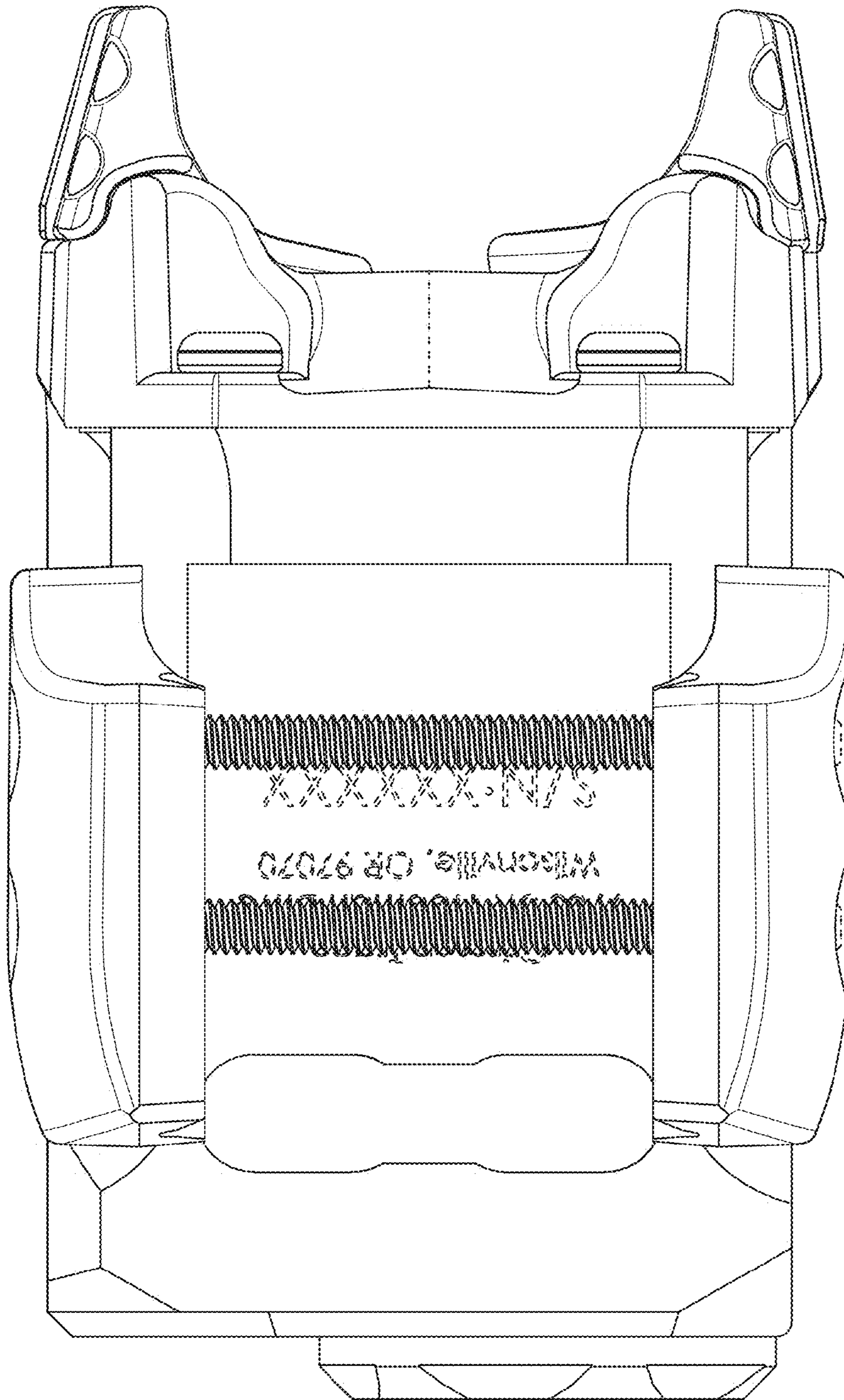


FIG. 6

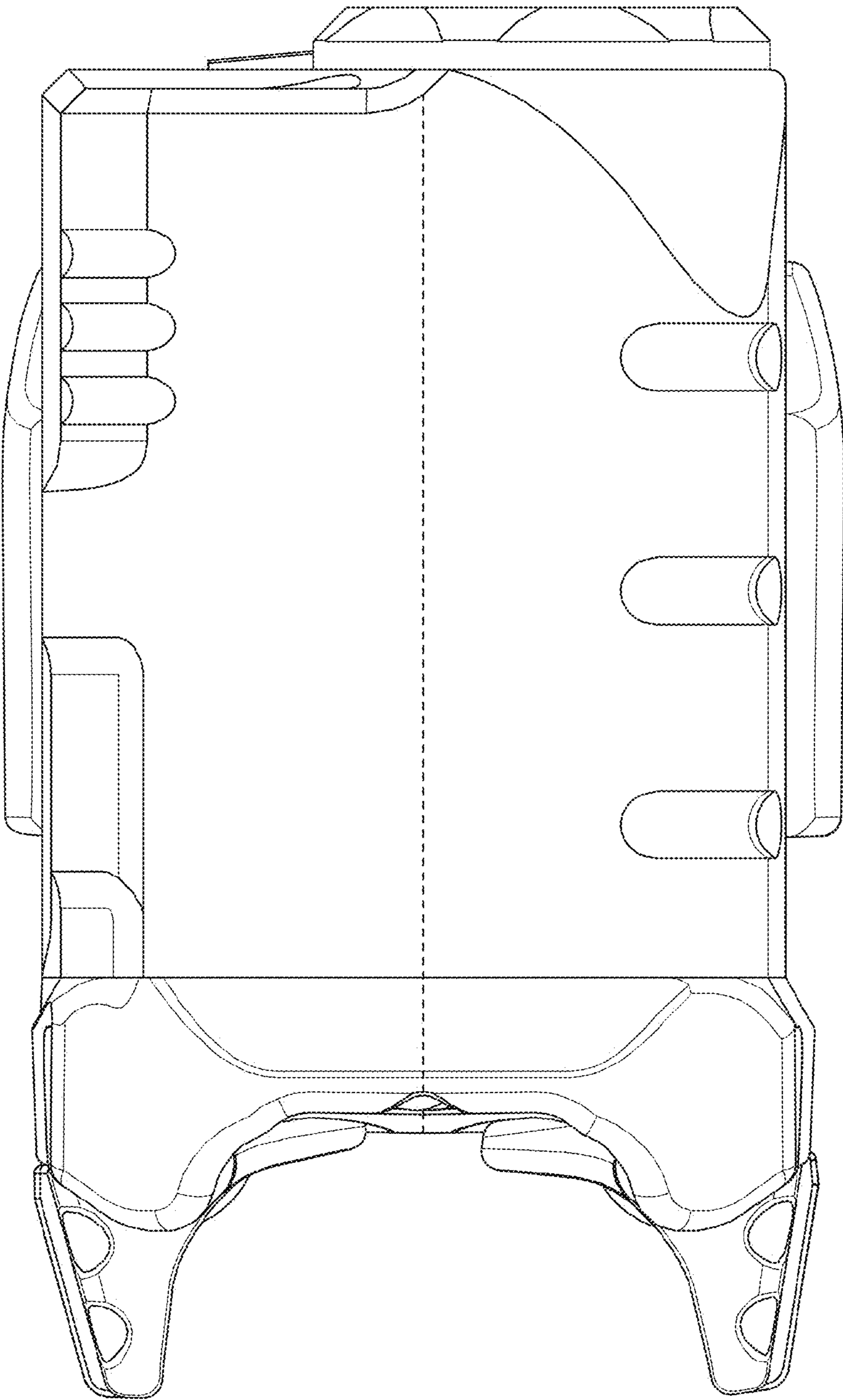


FIG. 7

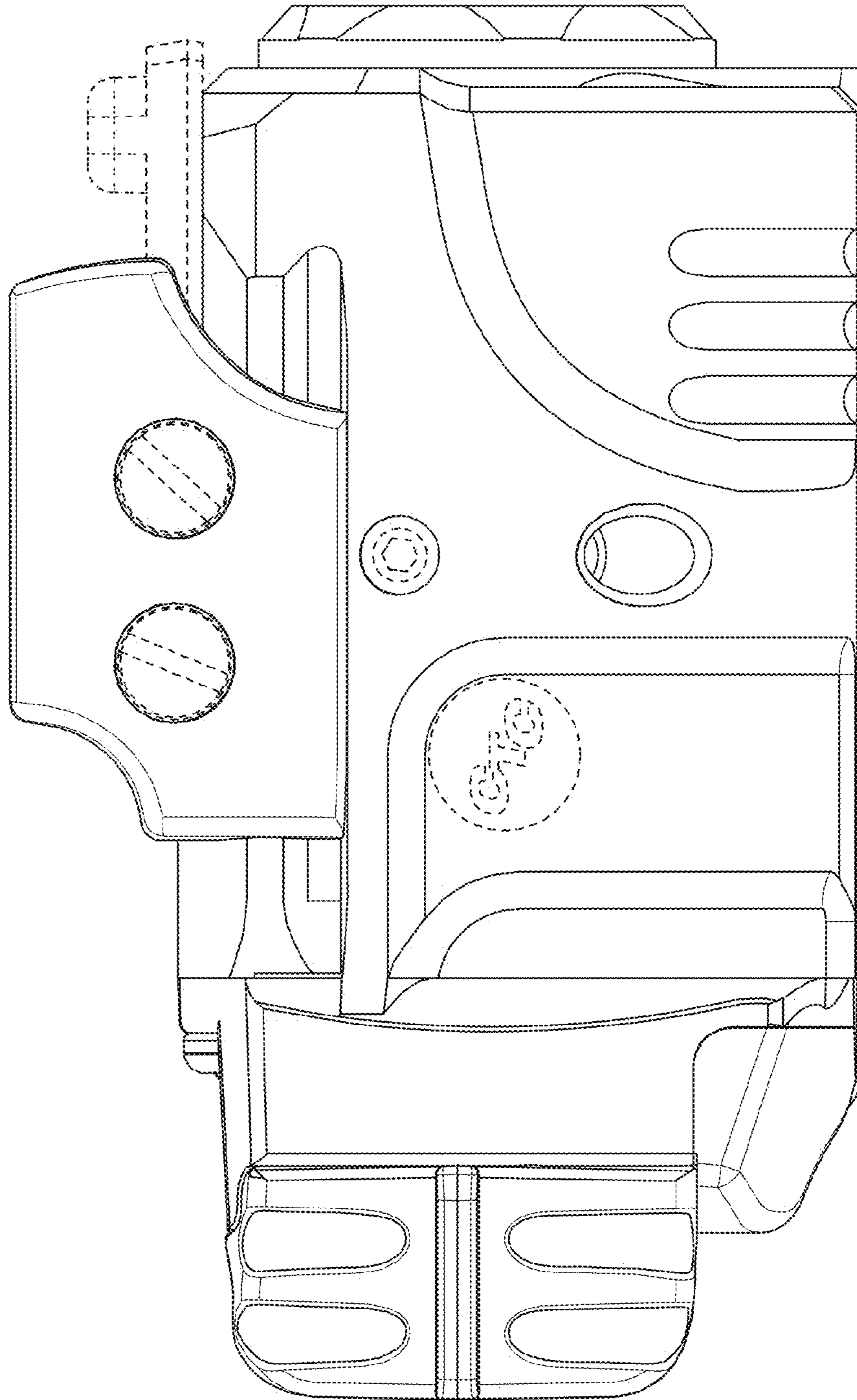


FIG. 8

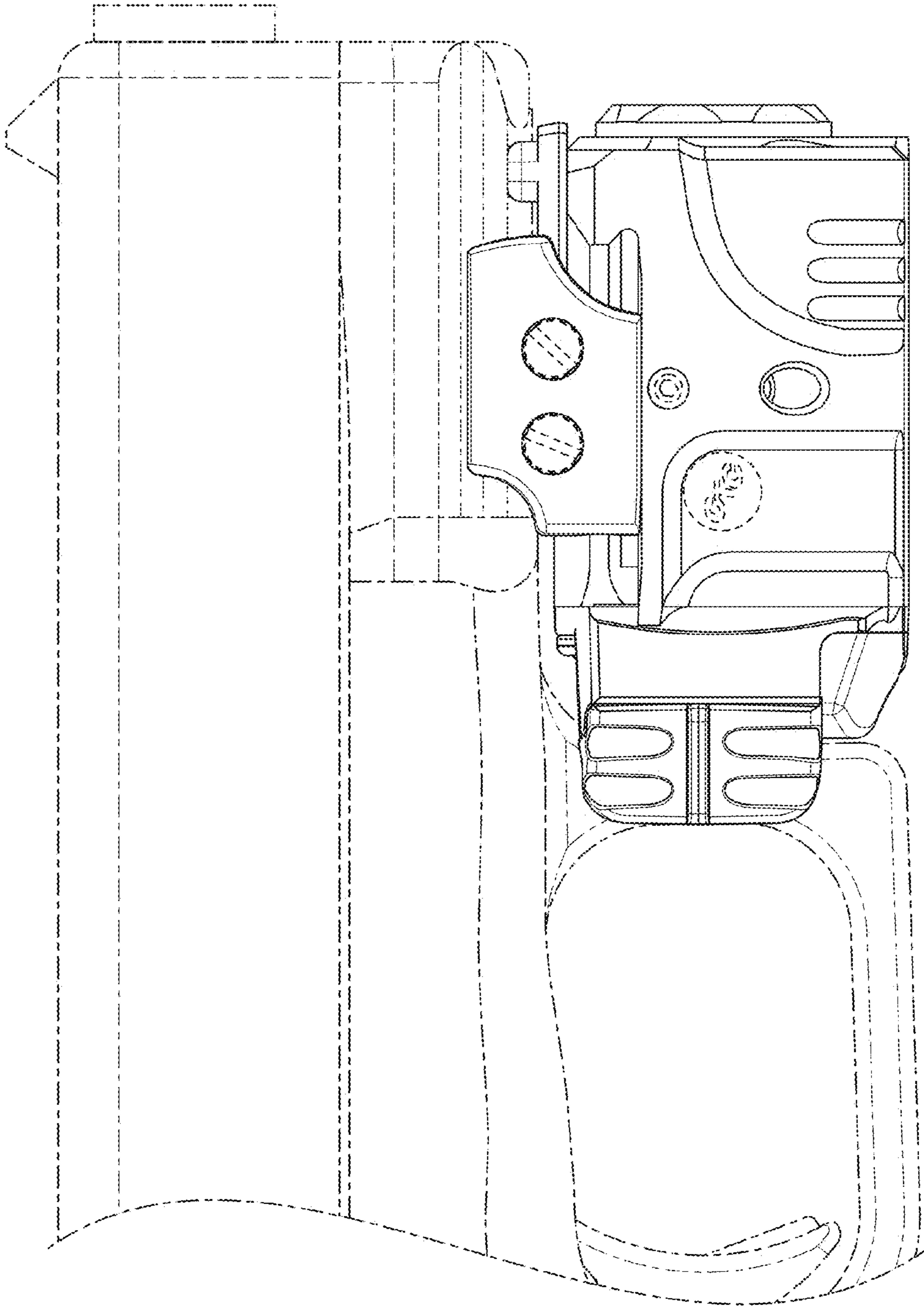


FIG. 9