



US00D738454S

(12) **United States Design Patent**  
**Smith**

(10) **Patent No.:** **US D738,454 S**  
(45) **Date of Patent:** **\*\* Sep. 8, 2015**

- (54) **FIREARM MAGAZINE**
- (71) Applicant: **Myrmidon Industries Inc.**,  
Woodbridge, VA (US)
- (72) Inventor: **Jason Smith**, Woodbridge, VA (US)
- (73) Assignee: **MYRMIDON INDUSTRIES INC.**,  
Woodbridge, VA (US)

D647,589	S	*	10/2011	Rogers et al.	.....	D22/108
D677,178	S	*	3/2013	Delgado Acarreta	.....	D10/46
8,490,311	B2		7/2013	Hogue		
8,590,201	B2		11/2013	Brixius		
D706,379	S	*	6/2014	Iannello et al.	.....	D22/108
D725,218	S	*	3/2015	Iosilevsky	.....	D22/108
D727,456	S	*	4/2015	Schefter et al.	.....	D22/108
2009/0313873	A1		12/2009	Roth		
2010/0281737	A1		11/2010	Cahill		
2013/0180143	A1		7/2013	Delgado Acarreta		

(\*\*) Term: **15 Years**

**FOREIGN PATENT DOCUMENTS**

(21) Appl. No.: **29/530,755**

WO WO 2011088313 A2 \* 7/2011

(22) Filed: **Jun. 19, 2015**

\* cited by examiner

(51) **LOC (10) Cl.** ..... **22-01**

*Primary Examiner* — Michael A Pratt

(52) **U.S. Cl.**  
USPC ..... **D22/108**

(74) *Attorney, Agent, or Firm* — Maier & Maier, PLLC

(58) **Field of Classification Search**  
USPC ..... D22/103, 108; D21/572–575;  
124/66–67, 74; 42/51, 71.01, 75.01,  
42/75.02, 90, 94; 362/110; 89/40.06,  
89/37.04, 33.04, 191.01  
CPC ..... F41A 9/61; F41A 9/62; F41A 9/63;  
F41A 9/64; F41A 9/65; F41A 9/68; F41A  
9/69; F41A 9/73; F41A 9/74; F41A 9/75;  
F41A 9/79; F41A 9/86

(57) **CLAIM**  
The ornamental design for a firearm magazine, as shown and described.

See application file for complete search history.

**DESCRIPTION**

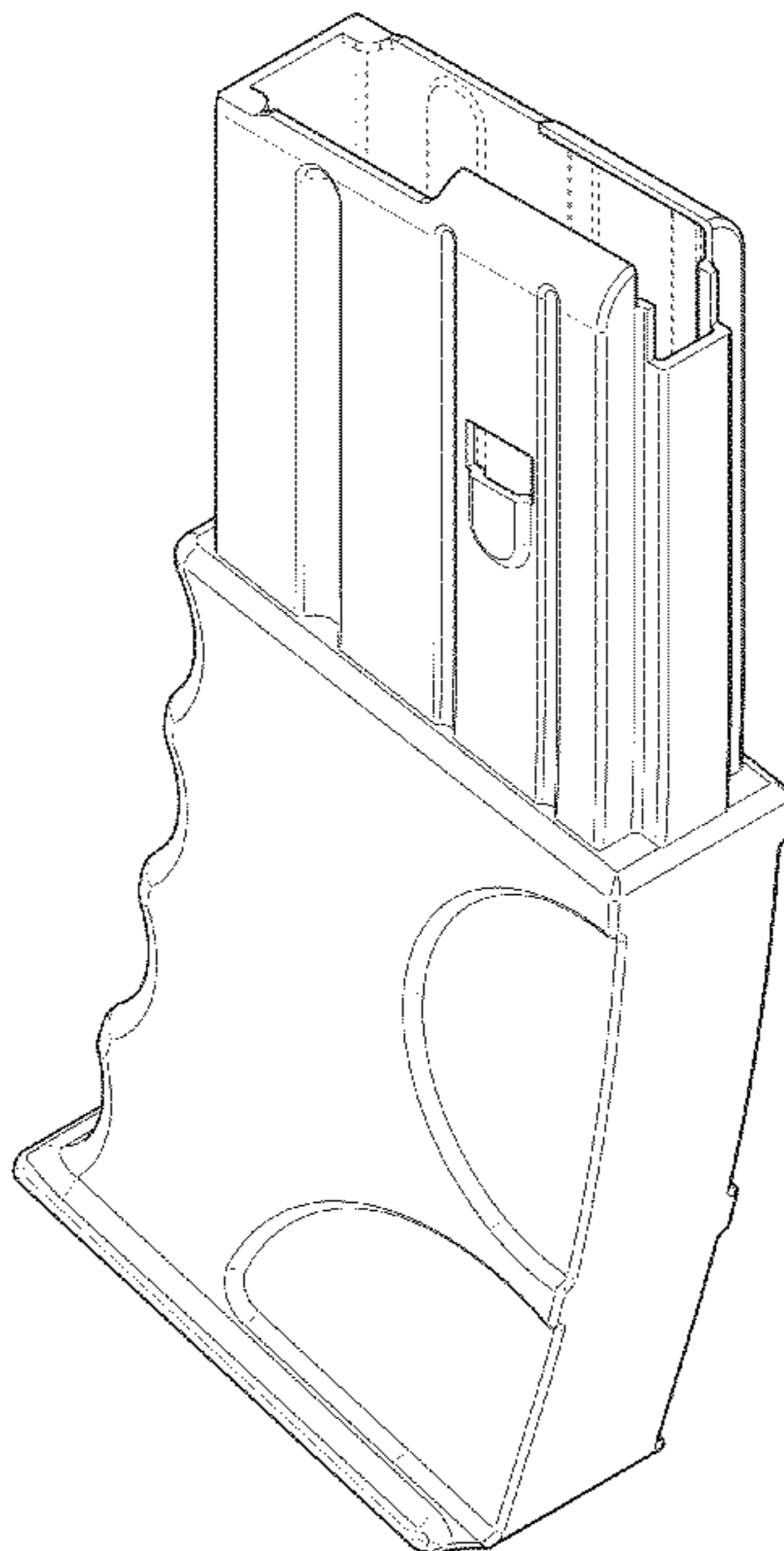
(56) **References Cited**

**U.S. PATENT DOCUMENTS**

D593,633	S	6/2009	Fitzpatrick et al.	
D593,635	S	6/2009	Fitzpatrick et al.	
7,823,312	B2	11/2010	Faifer	
D644,291	S	* 8/2011	Faifer	..... D22/108
D646,744	S	10/2011	Sullivan et al.	

FIG. 1 is a top-rear-right isometric view of a firearm magazine, showing my design;  
FIG. 2 is a bottom-front-left isometric view thereof;  
FIG. 3 is a front elevation view thereof;  
FIG. 4 is a rear elevation view thereof;  
FIG. 5 is a right side elevation view thereof;  
FIG. 6 is a left side elevation view thereof;  
FIG. 7 is a top plan view thereof; and,  
FIG. 8 is a bottom plan view thereof.  
The broken line showing in the Figures illustrates portions of the firearm magazine and forms no part of the claimed design.

**1 Claim, 6 Drawing Sheets**



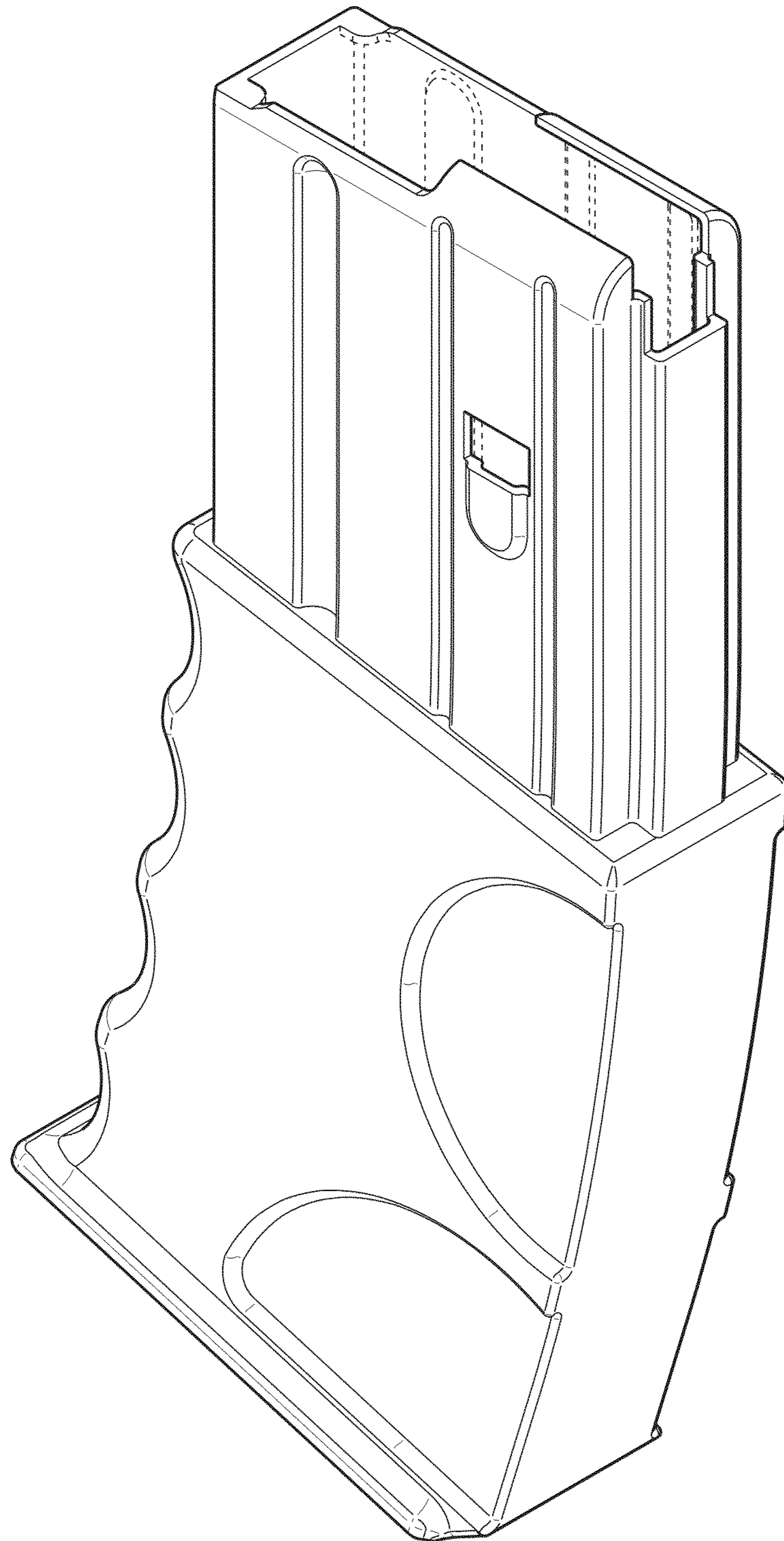
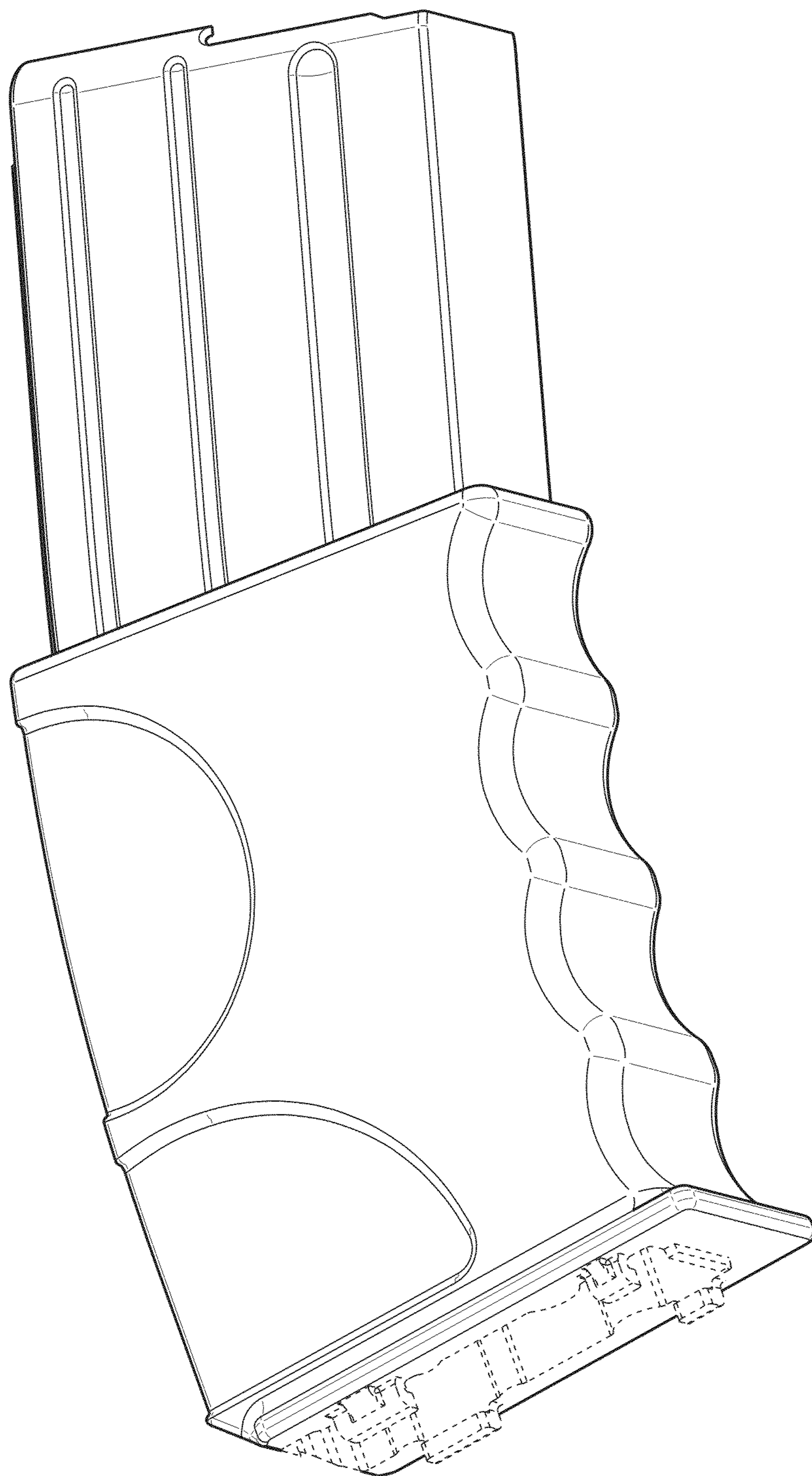
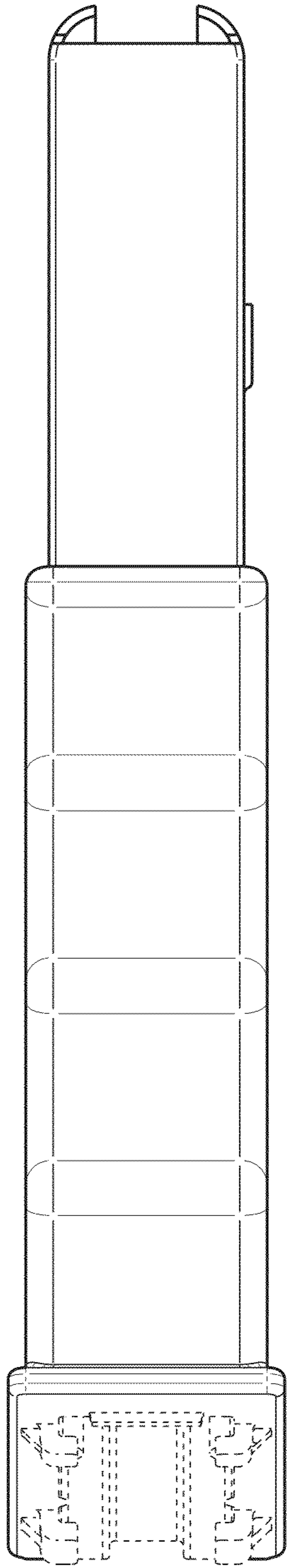


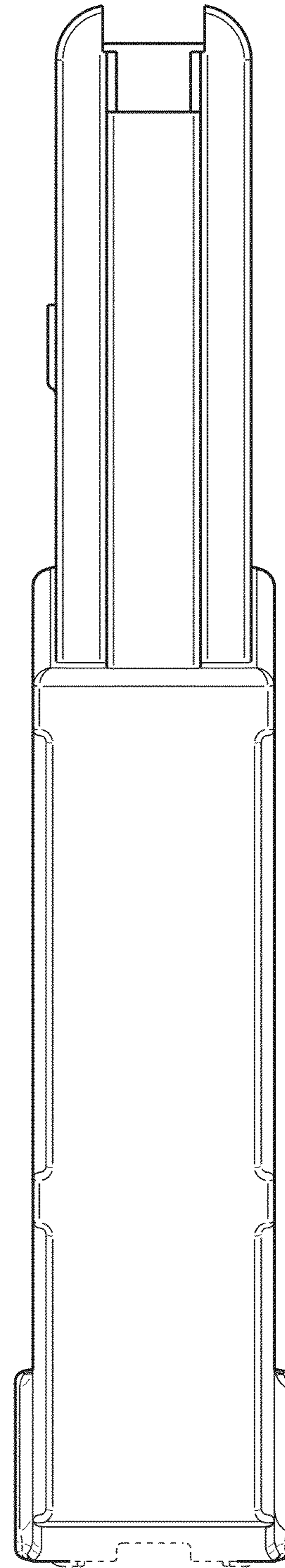
Fig. 1



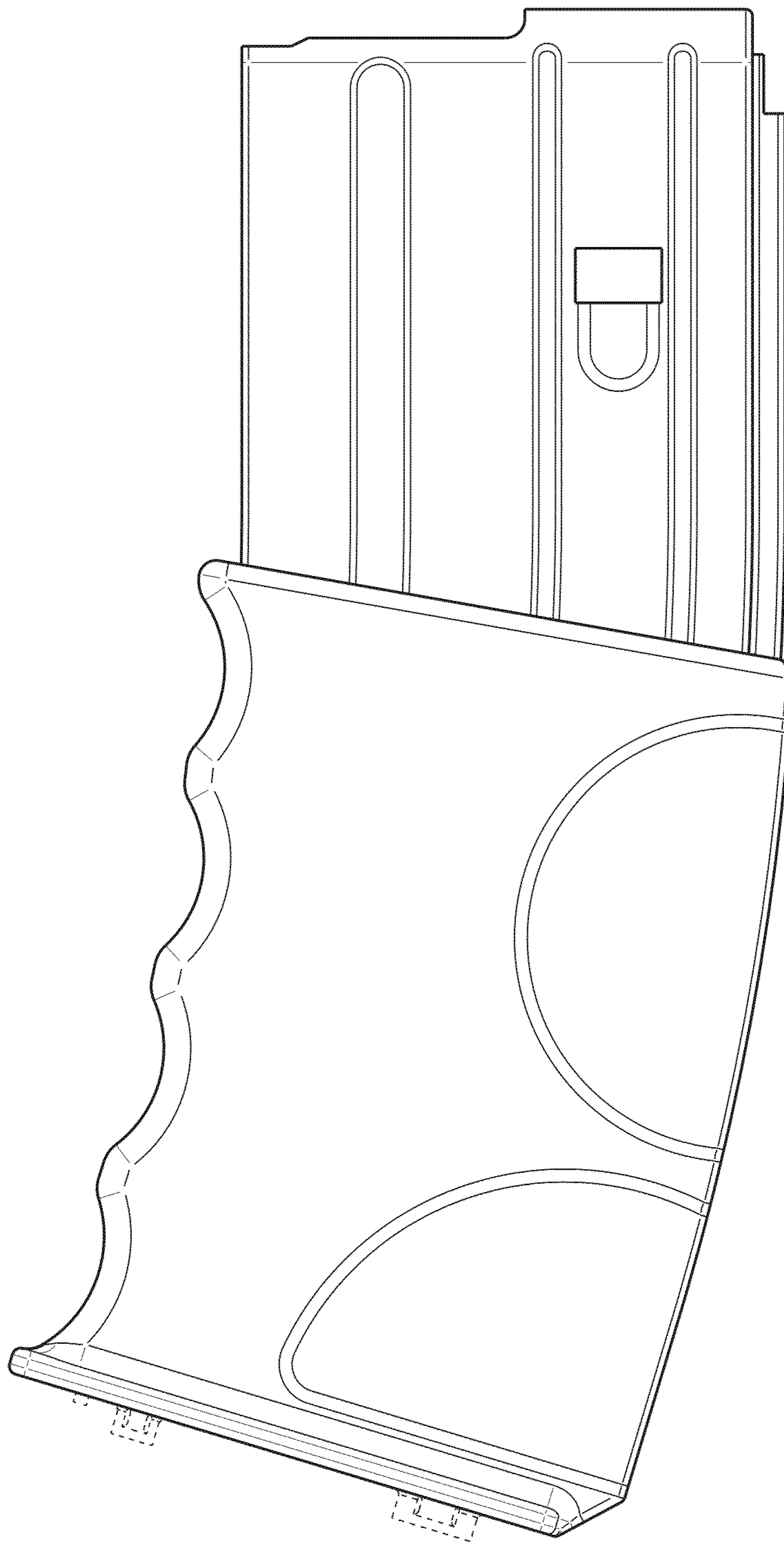
*Fig. 2*



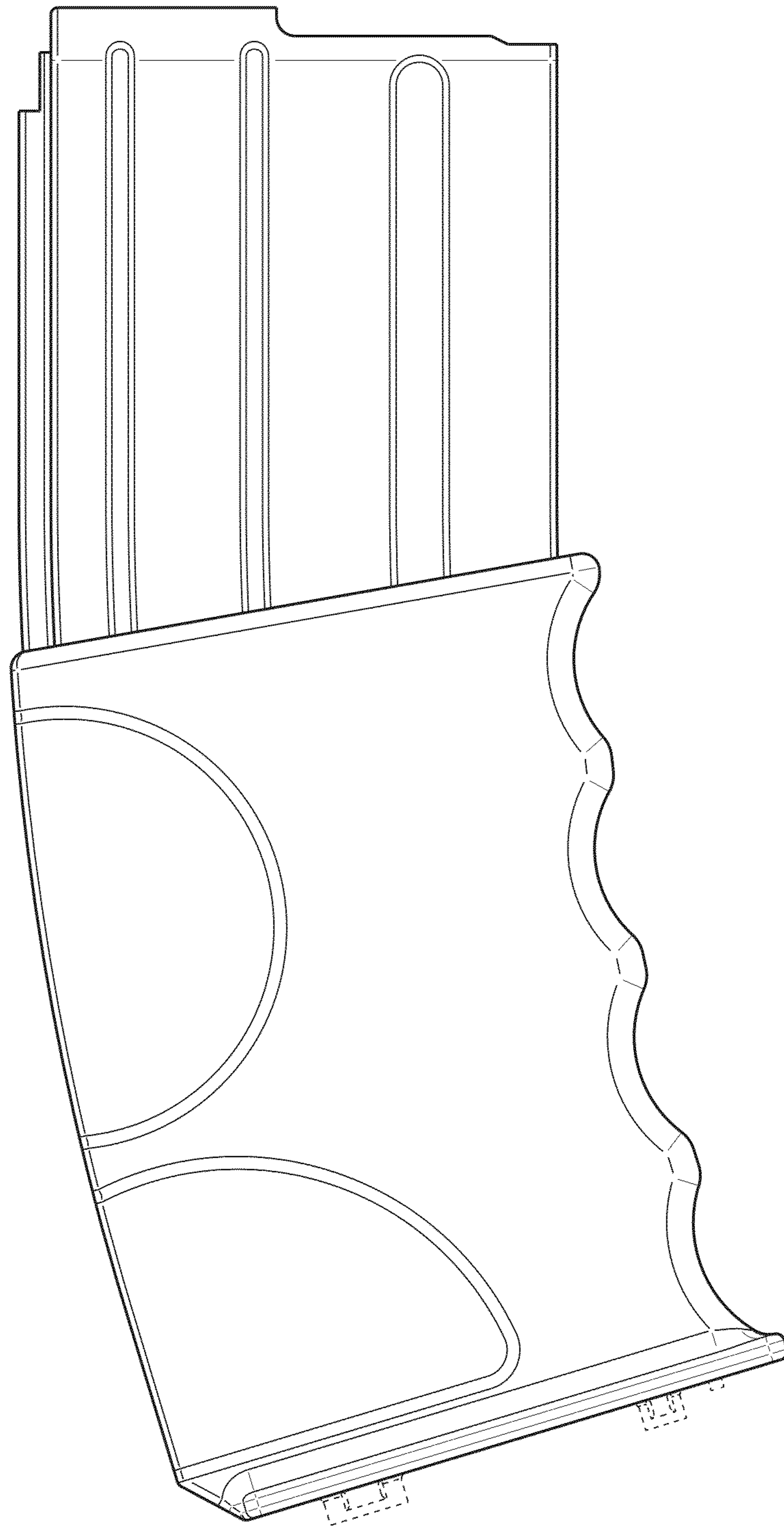
*Fig. 3*



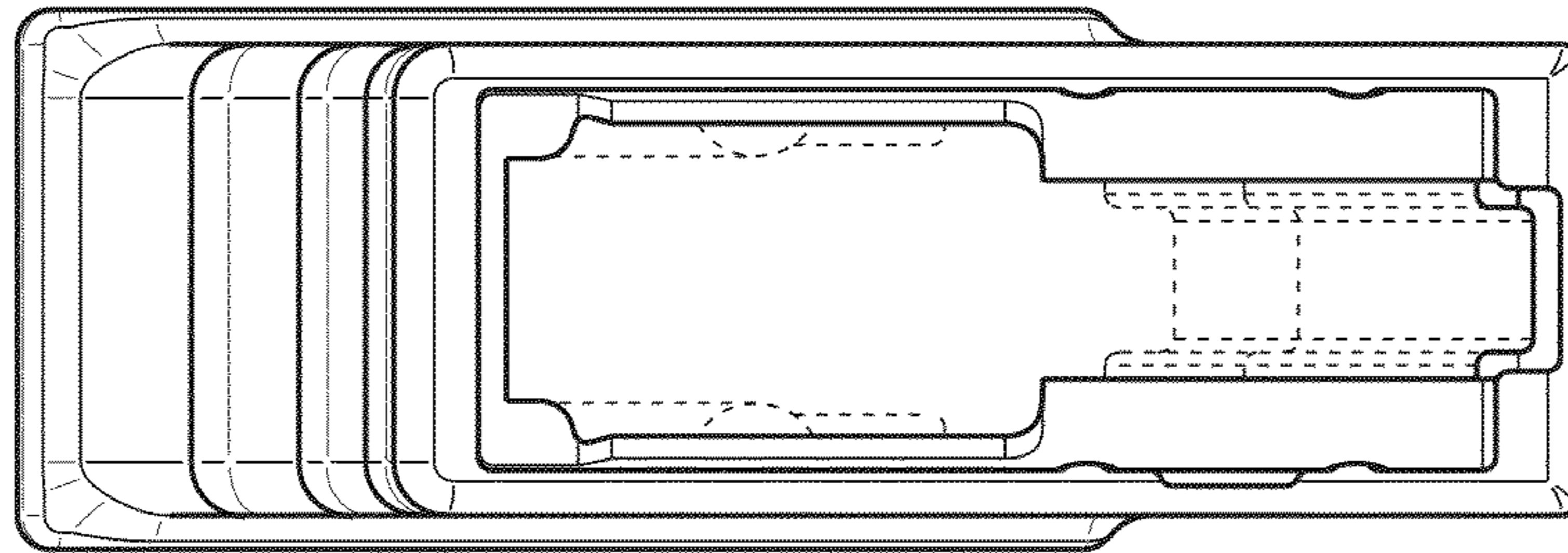
*Fig. 4*



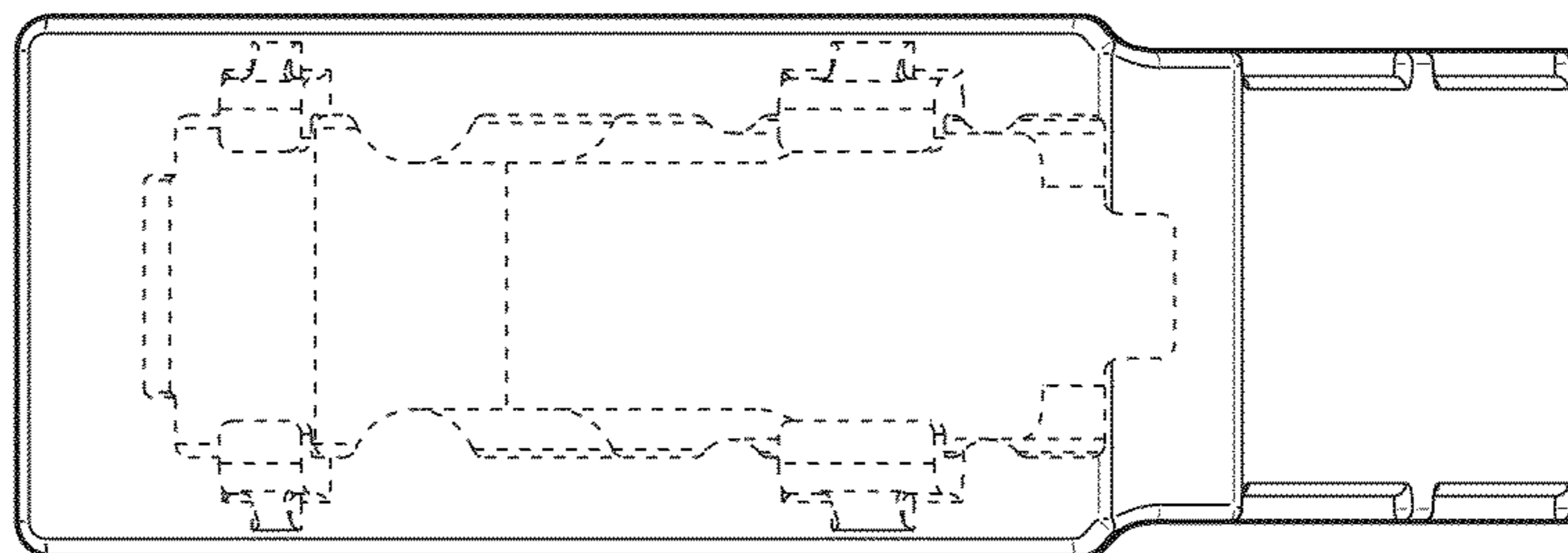
*Fig. 5*



*Fig. 6*



*Fig. 7*



*Fig. 8*