



US00D738452S

(12) **United States Design Patent**
Underwood

(10) **Patent No.:** **US D738,452 S**
(45) **Date of Patent:** **** Sep. 8, 2015**

- (54) **FIREARM CHARGING HANDLE**
- (71) Applicant: **AXTS Weapons Systems**, Salem, OR (US)
- (72) Inventor: **Joshua A. Underwood**, Salem, OR (US)
- (73) Assignee: **AXTS WEAPONS SYSTEMS**, Salem, OR (US)
- (**) Term: **14 Years**
- (21) Appl. No.: **29/486,782**
- (22) Filed: **Apr. 2, 2014**

5,726,377	A *	3/1998	Harris et al.	89/191.01
5,832,911	A *	11/1998	Mayville et al.	124/73
6,311,603	B1 *	11/2001	Dunlap	89/1.4
7,240,600	B1	7/2007	Bordson	
D614,718	S	4/2010	Hoel	
7,707,921	B1	5/2010	Hoel	
7,798,045	B1 *	9/2010	Fitzpatrick et al.	89/1.4
7,832,322	B1	11/2010	Hoel	
7,861,635	B1	1/2011	Hoel	
7,900,546	B2	3/2011	Bordson	
8,104,393	B2	1/2012	Kincel	
8,156,854	B2	4/2012	Brown	
8,261,649	B2	9/2012	Fitzpatrick et al.	
8,336,436	B2	12/2012	Kincel	
8,356,537	B2	1/2013	Kincel	
8,567,301	B1 *	10/2013	Sharron	89/1.4

(Continued)

Related U.S. Application Data

- (63) Continuation of application No. 29/469,218, filed on Oct. 8, 2013, which is a continuation of application No. 29/413,613, filed on Mar. 23, 2012, now Pat. No. Des. 694,354.
- (51) **LOC (10) Cl.** **22-01**
- (52) **U.S. Cl.**
USPC **D22/108**
- (58) **Field of Classification Search**
USPC D22/103, 108; D21/572-575; 42/51, 42/71.01, 75.01, 75.02, 90, 94, 134, 136, 42/139, 125, 72, 111; 89/40.06, 41.19, 89/37.04, 33.04, 191.01, 200-204; 124/67, 66, 72, 74
CPC F41C 7/00; F41C 7/11; F41C 7/12
See application file for complete search history.

References Cited

U.S. PATENT DOCUMENTS

3,225,653	A	12/1965	Packard
4,521,985	A	6/1985	Smith et al.
4,834,437	A	5/1989	Howard, Sr.
4,835,892	A	6/1989	Ruger et al.
5,109,752	A	5/1992	Yu

OTHER PUBLICATIONS

United States Department of the Army, "Operator's Manual for Rifle, 5.56-MM, M16 (1005-00-856-6885); Rifle, 5.56-MM, M16A1 (1005-00-073-9421)", No. TM 9-1005-249-10 C2, Washington, D.C., May 11, 1990, 154 pages.

(Continued)

Primary Examiner — Michael A Pratt

(74) *Attorney, Agent, or Firm* — Stolowitz Ford Cowger LLP

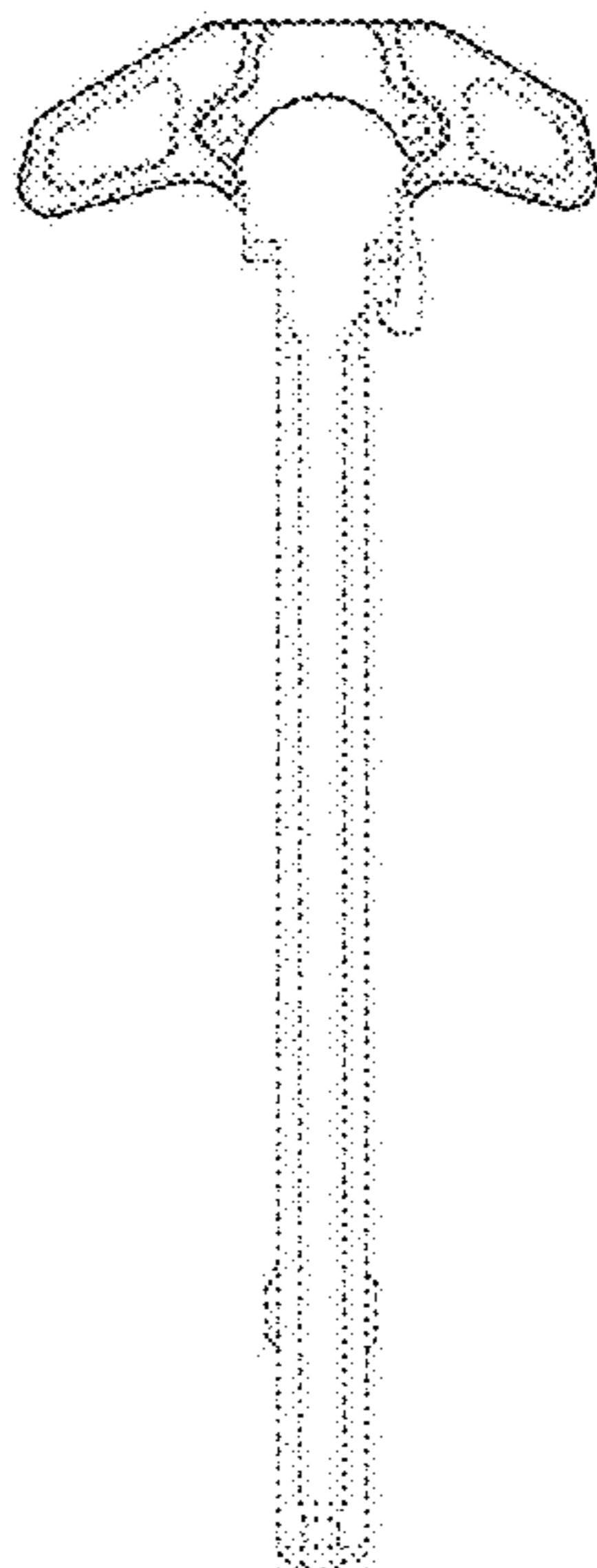
CLAIM

(57) An ornamental design for the firearm charging handle, as shown and described.

DESCRIPTION

FIG. 1 is a top view of an embodiment of my firearm charging handle; and, FIG. 2 is an enlarged top view of the firearm charging handle shown in FIG. 1. The broken lines are included for the purpose of illustrating the environment and form no part of the claimed design.

1 Claim, 2 Drawing Sheets



(56)

References Cited

U.S. PATENT DOCUMENTS

D694,354 S 11/2013 Underwood
 D705,383 S 5/2014 Montes
 D705,384 S 5/2014 Underwood
 D712,501 S 9/2014 Weltsch
 8,820,210 B2 9/2014 Melville
 8,863,632 B1 10/2014 O'Malley
 D726,860 S * 4/2015 Underwood D22/108
 2005/0188827 A1 * 9/2005 McNulty, Jr. 89/1.11
 2009/0126249 A1 * 5/2009 Crommett 42/71.01
 2011/0005372 A1 1/2011 Kincel
 2011/0214558 A1 9/2011 Kincel
 2011/0265636 A1 11/2011 Overstreet et al.
 2012/0151813 A1 * 6/2012 Brown 42/73
 2012/0167424 A1 7/2012 Gomez
 2012/0167433 A1 7/2012 Robbins et al.
 2012/0180355 A1 7/2012 Martin et al.
 2012/0291612 A1 11/2012 Kincel
 2012/0318124 A1 12/2012 Brown

2013/0092014 A1 * 4/2013 Kincel 89/1.4
 2013/0174457 A1 7/2013 Gangl et al.
 2014/0060293 A1 * 3/2014 Gomez 89/1.4
 2014/0150639 A1 6/2014 Sugg et al.
 2014/0318356 A1 * 10/2014 Cupps et al. 89/1.4

OTHER PUBLICATIONS

United States Department of the Army, "Operator's Manual for Rifle, 5.66 MM, M16A2 W/E (1005-01-128-9936) (EIC:4GM); Rifle, 5.56 MM, M16A3 (1005-01-367-5112); Rifle, 5.56 MM, M16A4 (1005-01-383-2872) (EIC:4F9); Carbine, 5.56 MM, M4 W/E (1005-01-231-0973) (EIC:4FJ); Carbine, 5.56 MM, M4A1 (1005-01-382-0953) (EIC:4GC)", No. Army TM 9-1005-319-10, Washington, D.C., Oct. 1998, 230 pages.
 United States Department of the Army, "FM 23-9", Washington, D.C., Jul. 3, 1989, 305 pages.
 Stolowitz Ford Cowger LLP, Listing of Related Cases; Jun. 4, 2014, 1 page.

* cited by examiner

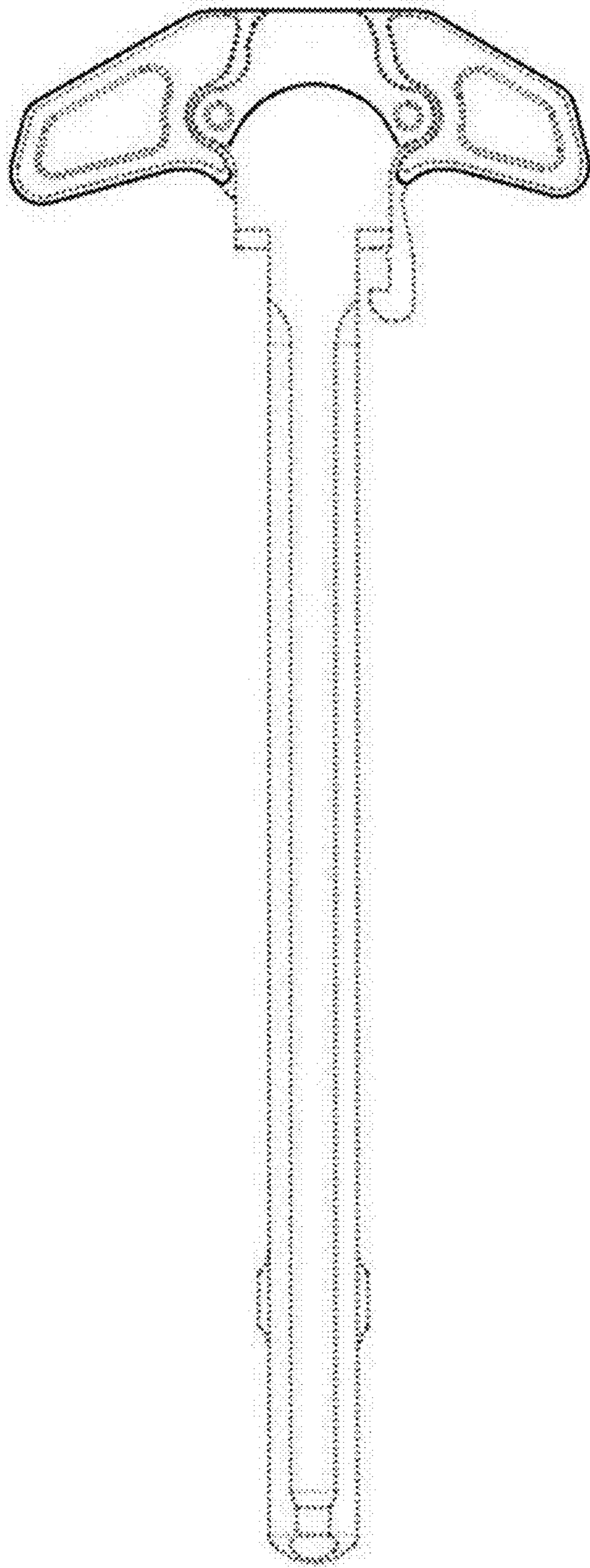


FIG. 1

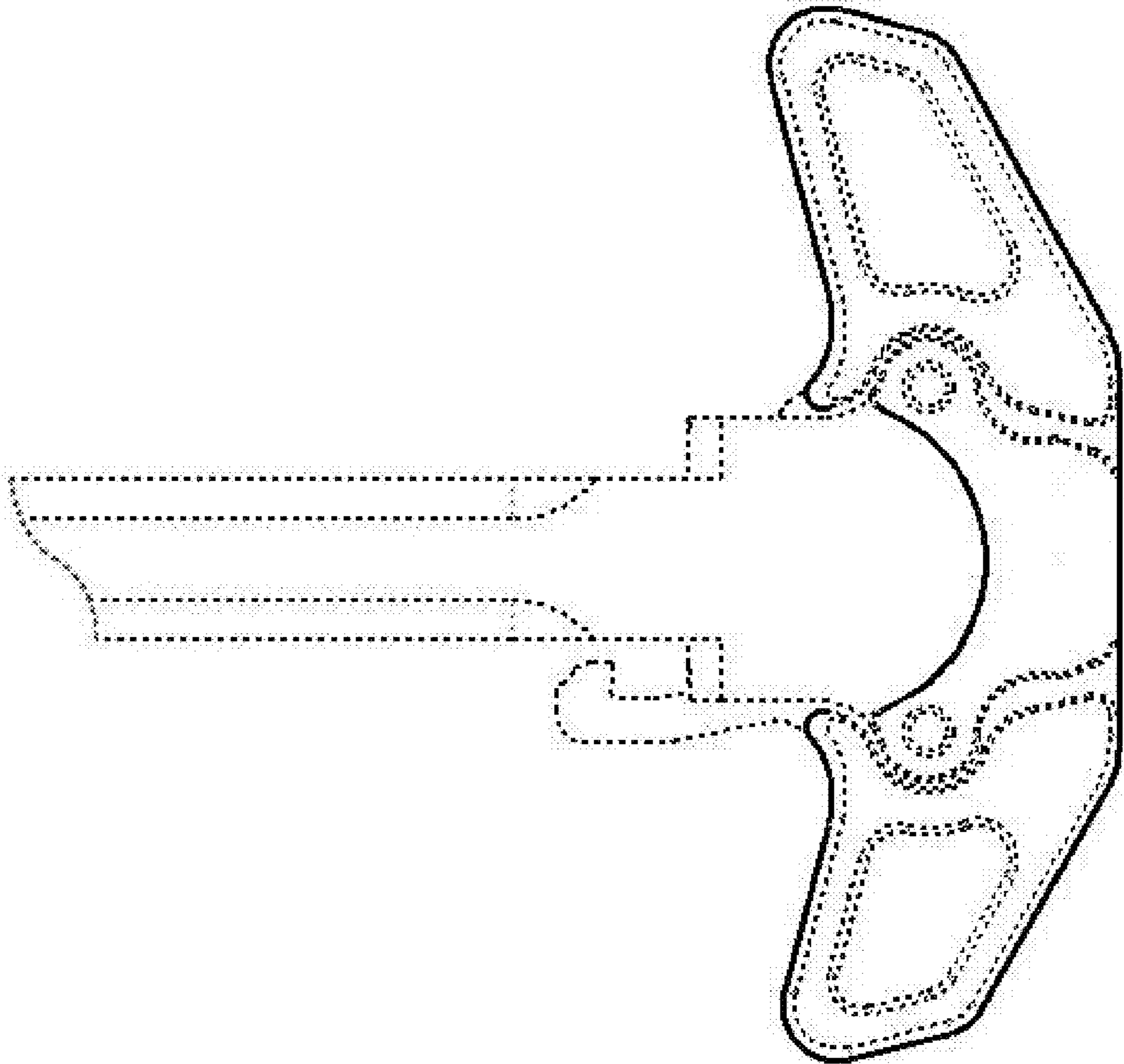


FIG. 2