



US00D738449S

(12) **United States Design Patent**
Schweigert

(10) **Patent No.:** **US D738,449 S**

(45) **Date of Patent:** **** Sep. 8, 2015**

(54) **GOLF CLUB HEAD**

(71) Applicant: **PARSONS XTREME GOLF, LLC,**
Scottsdale, AZ (US)

(72) Inventor: **Bradley D. Schweigert,** Anthem, AZ
(US)

(73) Assignee: **PARSONS XTREME GOLF, LLC,**
Scottsdale, AZ (US)

(**) Term: **14 Years**

(21) Appl. No.: **29/512,516**

(22) Filed: **Dec. 19, 2014**

Related U.S. Application Data

(62) Division of application No. 29/506,381, filed on Oct. 15, 2014, now Pat. No. Des. 725,208.

(51) **LOC (10) Cl.** **21-02**

(52) **U.S. Cl.**
USPC **D21/759**

(58) **Field of Classification Search**
USPC D21/733–753, 759
CPC A63B 53/00–53/065; A63B
2053/002–2053/0491
See application file for complete search history.

(56) **References Cited**

U.S. PATENT DOCUMENTS

922,444	A *	5/1909	Youds	473/342
RE19,178	E *	5/1934	Spiker	473/251
4,043,562	A *	8/1977	Shillington	473/254
4,754,977	A *	7/1988	Sahm	473/337
4,869,507	A *	9/1989	Sahm	473/337
D335,317	S *	5/1993	Shearer	D21/740
D335,692	S *	5/1993	Antonious	D21/736
D336,757	S *	6/1993	Antonious	D21/742

D350,582	S *	9/1994	Miansian et al.	D21/742
5,429,366	A *	7/1995	McCabe	473/244
D363,101	S *	10/1995	Sturm	D21/746
D365,864	S *	1/1996	Sturm	D21/746
5,489,097	A	2/1996	Simmons	
D368,751	S	4/1996	Rife	
D378,688	S	4/1997	Cameron	
D385,609	S *	10/1997	Cameron	D21/753
5,683,307	A	11/1997	Rife	

(Continued)

OTHER PUBLICATIONS

U.S. Appl. No. 29/501,012, Parsons et al., "Golf Club Head," filed Aug. 29, 2014.

(Continued)

Primary Examiner — Mitchell Siegel

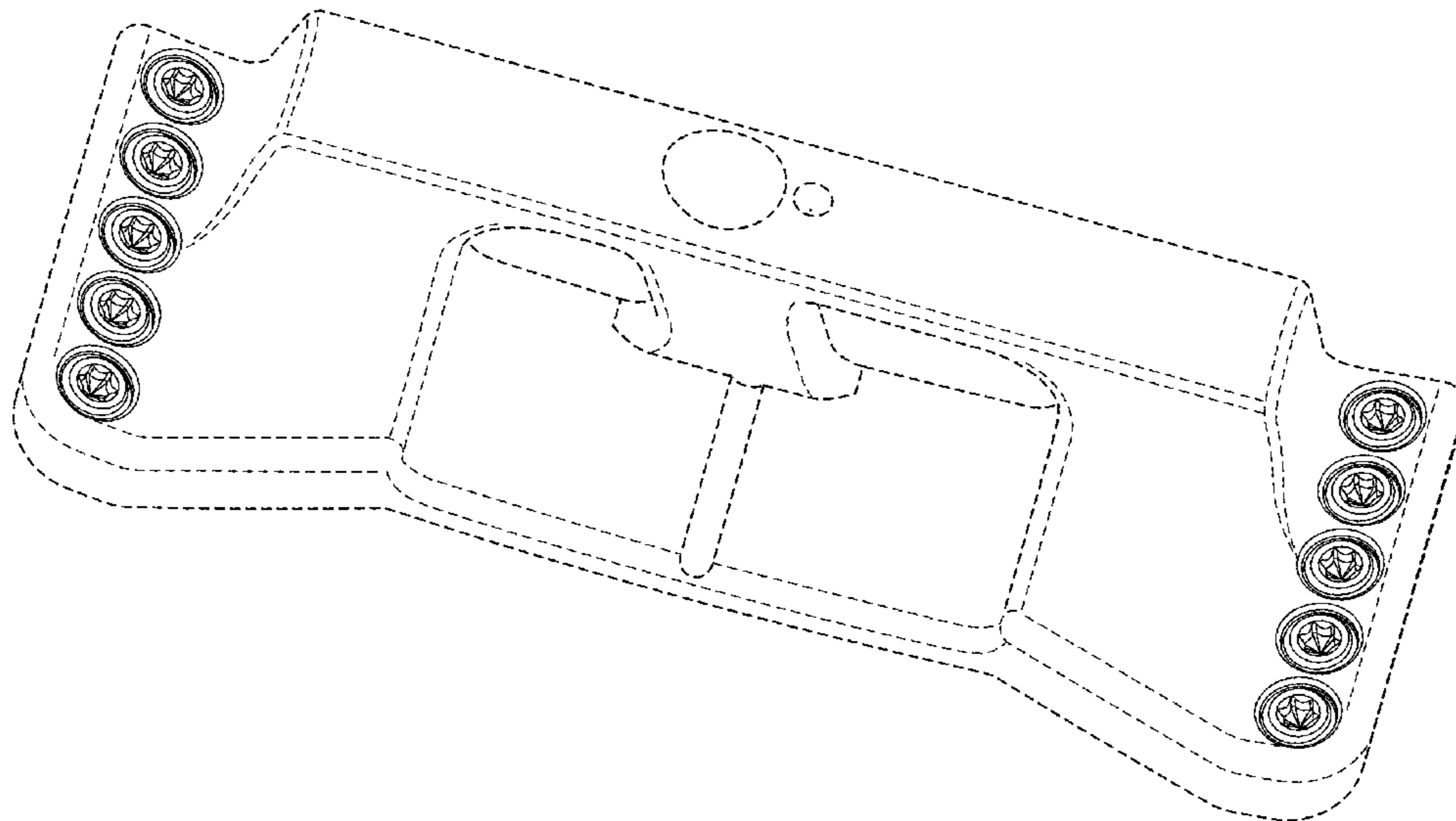
(57) **CLAIM**

The ornamental design for a golf club head, as shown and described.

DESCRIPTION

FIG. 1 is a top perspective view of a golf club head; FIG. 2 is a bottom perspective view of the golf club head of FIG. 1; FIG. 3 is a front elevational view of the golf club head of FIG. 1; FIG. 4 is a rear elevational view of the golf club head of FIG. 1; FIG. 5 is a top view of the golf club head of FIG. 1; FIG. 6 is a bottom view of the golf club head of FIG. 1; FIG. 7 is a left side view of the golf club head of FIG. 1; and, FIG. 8 is a right side view of the golf club head of FIG. 1. The broken lines connecting the solid lines represent the bounds of the claim. The remaining broken lines illustrate the environment. None of the broken lines forms part of the claimed design.

1 Claim, 7 Drawing Sheets



(56)

References Cited

U.S. PATENT DOCUMENTS

D389,207 S * 1/1998 Cameron D21/742
 D398,685 S 9/1998 Masuda
 D399,911 S 10/1998 Nicolette et al.
 5,839,974 A * 11/1998 McAllister 473/337
 D405,836 S 2/1999 Nicolette et al.
 D409,701 S * 5/1999 Ashcraft et al. D21/743
 5,924,938 A * 7/1999 Hines 473/307
 D422,655 S * 4/2000 Hicks D21/736
 D426,276 S * 6/2000 Besnard et al. D21/747
 D431,854 S * 10/2000 Cameron D21/759
 D432,192 S * 10/2000 Hicks D21/736
 D436,151 S 1/2001 Nicolette et al.
 D437,374 S * 2/2001 Cameron D21/759
 D441,820 S 5/2001 Nicolette et al.
 D443,668 S 6/2001 Nicolette et al.
 D443,905 S 6/2001 Nicolette et al.
 D444,833 S 7/2001 Wells et al.
 D449,664 S 10/2001 Beebe et al.
 D449,865 S * 10/2001 Fife et al. D21/736
 D450,799 S 11/2001 Nicolette et al.
 D451,973 S 12/2001 Wells et al.
 6,348,014 B1 * 2/2002 Chiu 473/337
 6,354,959 B1 3/2002 Nicolette et al.
 D472,949 S * 4/2003 Serrano D21/736
 D474,821 S 5/2003 Wells et al.
 D483,086 S 12/2003 Schweigert et al.
 D486,872 S 2/2004 Schweigert et al.
 D498,276 S 11/2004 Schweigert et al.
 6,902,496 B2 6/2005 Solheim et al.
 D512,116 S * 11/2005 Mirafior et al. D21/759
 6,988,956 B2 1/2006 Cover et al.
 D520,088 S * 5/2006 Parr D21/744
 D531,242 S 10/2006 Adams
 D532,067 S 11/2006 Soracco et al.
 7,153,220 B2 12/2006 Lo
 D534,595 S * 1/2007 Hasebe D21/747
 7,156,752 B1 1/2007 Bennett
 D536,401 S * 2/2007 Kawami D21/759
 D536,403 S * 2/2007 Kawami D21/759
 D538,371 S * 3/2007 Kawami D21/759
 7,204,765 B2 4/2007 Cover et al.
 D542,869 S 5/2007 Adams
 D543,598 S 5/2007 Kuan et al.
 D543,601 S * 5/2007 Kawami D21/759
 D555,219 S * 11/2007 Lin D21/759
 D556,277 S * 11/2007 Broom D21/743
 D561,854 S 2/2008 Morris
 7,331,876 B2 2/2008 Klein
 7,351,162 B2 4/2008 Soracco et al.
 D569,461 S 5/2008 Morris
 D569,930 S * 5/2008 Nehrbas D21/744
 7,396,289 B2 7/2008 Soracco et al.
 D577,085 S 9/2008 Nicolette et al.
 D577,086 S 9/2008 Nicolette et al.

D579,506 S 10/2008 Nicolette et al.
 D579,995 S 11/2008 Nicolette et al.
 D582,497 S 12/2008 Rollinson
 7,473,189 B2 * 1/2009 Schweigert et al. 473/341
 7,491,131 B2 2/2009 Vinton
 D599,425 S 9/2009 Laub
 D600,763 S * 9/2009 Cameron D21/759
 7,744,485 B2 6/2010 Jones et al.
 D620,993 S 8/2010 Laub
 D623,709 S * 9/2010 Serrano et al. D21/736
 D631,925 S * 2/2011 Broom D21/743
 7,887,432 B2 2/2011 Jones et al.
 7,909,707 B2 3/2011 Klein
 7,918,745 B2 4/2011 Morris et al.
 D638,891 S 5/2011 Nicolette et al.
 D642,643 S 8/2011 Nicolette et al.
 D643,485 S 8/2011 Nicolette et al.
 D645,104 S 9/2011 Nicolette et al.
 8,096,039 B2 1/2012 Soracco et al.
 D653,718 S 2/2012 Stokke et al.
 D661,753 S * 6/2012 Cameron et al. D21/759
 D666,260 S 8/2012 Cynn
 D688,339 S 8/2013 Hilton et al.
 D688,341 S 8/2013 Rollinson
 D691,226 S 10/2013 Hilton et al.
 D699,308 S 2/2014 Rollinson
 D704,782 S 5/2014 Rollinson
 8,721,472 B2 5/2014 Kuan et al.
 8,790,193 B2 7/2014 Serrano et al.
 D711,483 S * 8/2014 Wong D21/743
 D722,352 S * 2/2015 Nicolette et al. D21/747
 D723,120 S * 2/2015 Nicolette D21/747
 D725,208 S * 3/2015 Schweigert D21/743
 D726,265 S * 4/2015 Nicolette D21/747
 D726,846 S * 4/2015 Schweigert D21/743
 2007/0142122 A1 6/2007 Bonneau
 2007/0238548 A1 10/2007 Johnson
 2008/0176672 A1 7/2008 Roach et al.
 2011/0165959 A1 7/2011 Klein
 2013/0165256 A1 6/2013 Stevenson
 2013/0210537 A1 8/2013 Ainscough et al.

OTHER PUBLICATIONS

U.S. Appl. No. 29/503,812, Schweigert, "Golf Club Head," filed Sep. 30, 2014.
 U.S. Appl. No. 29/508,213, Schweigert, "Golf Club Head," filed Nov. 4, 2014.
 U.S. Appl. No. 29/509,762, Parsons et al., "Golf Club Head," filed Nov. 20, 2014.
 U.S. Appl. No. 29/511,483, Parsons et al., "Golf Club Head," filed Dec. 11, 2014.
 U.S. Appl. No. 29/512,225, Schweigert, "Golf Club Head," filed Dec. 17, 2014.
 U.S. Appl. No. 29/512,512, Schweigert, "Golf Club Head," filed Dec. 19, 2014.

* cited by examiner

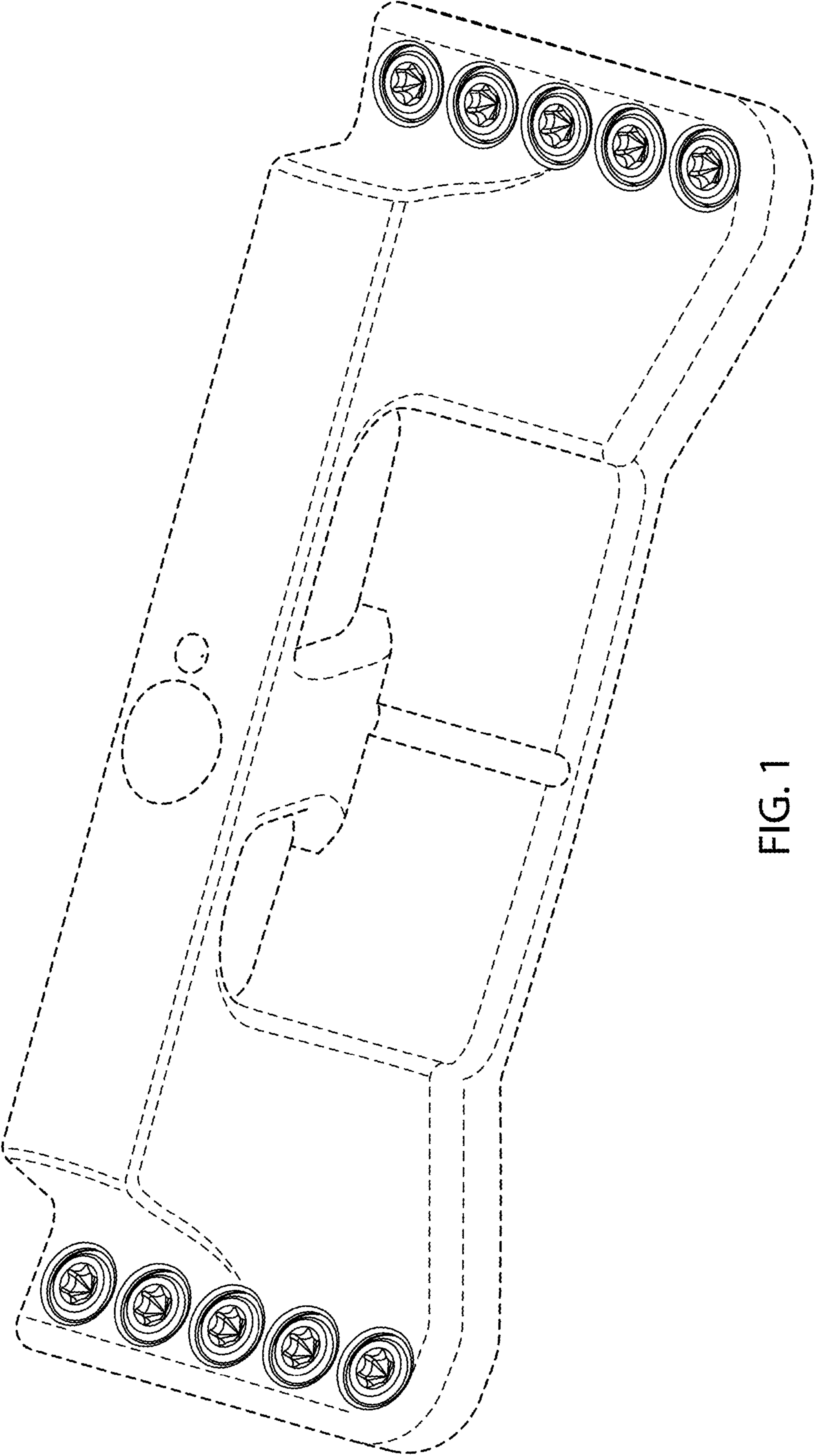


FIG. 1

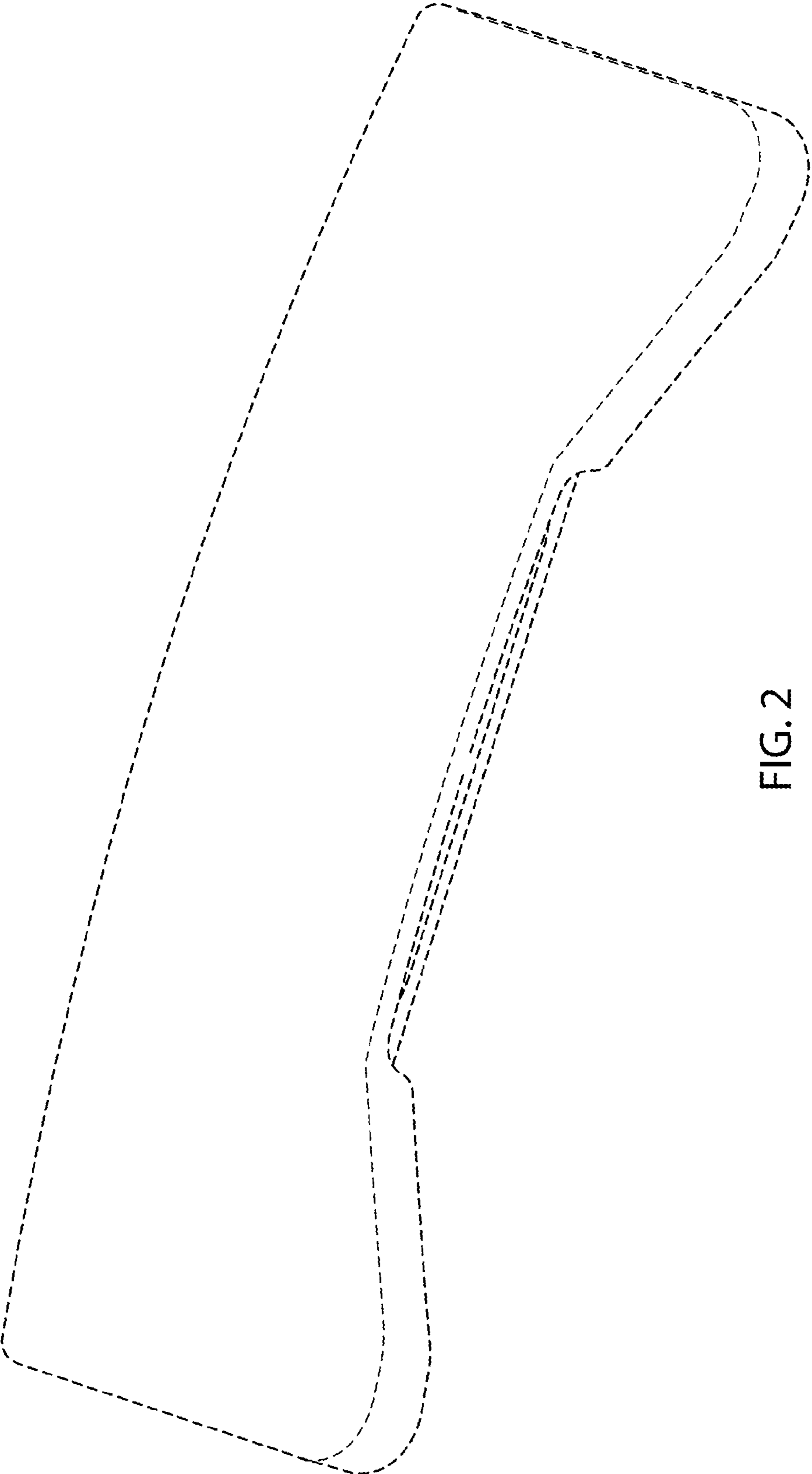


FIG. 2

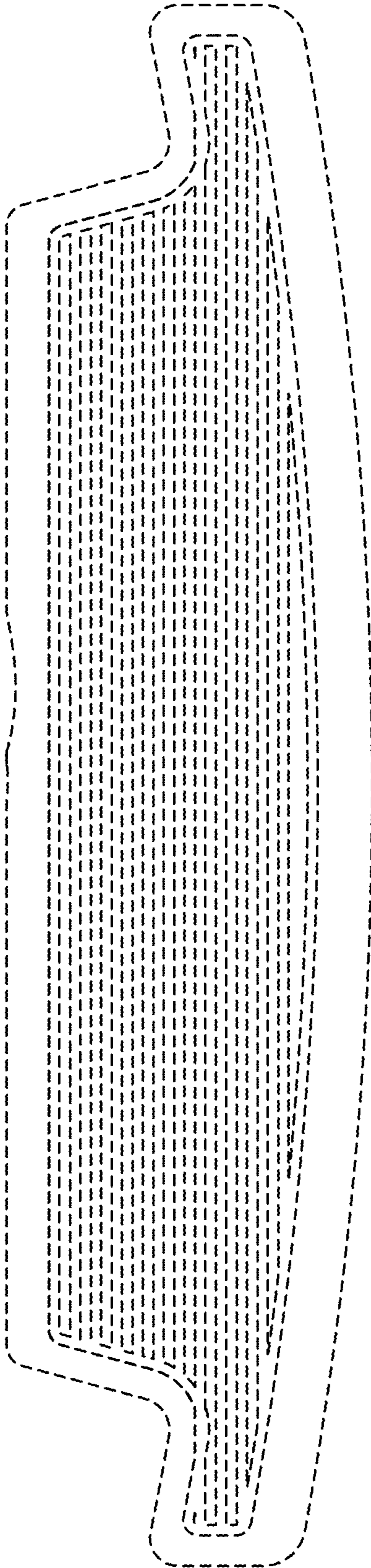


FIG. 3

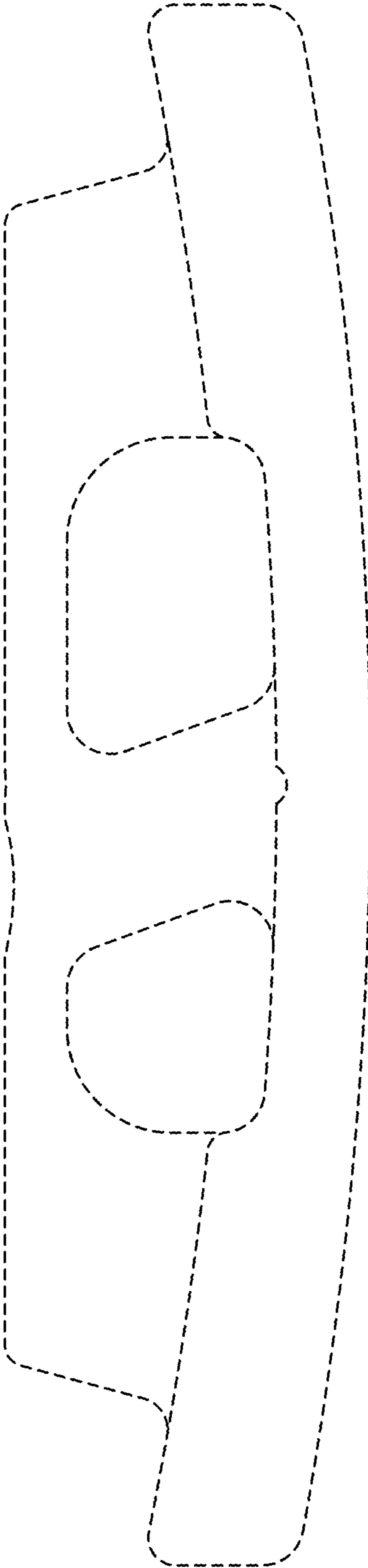


FIG. 4

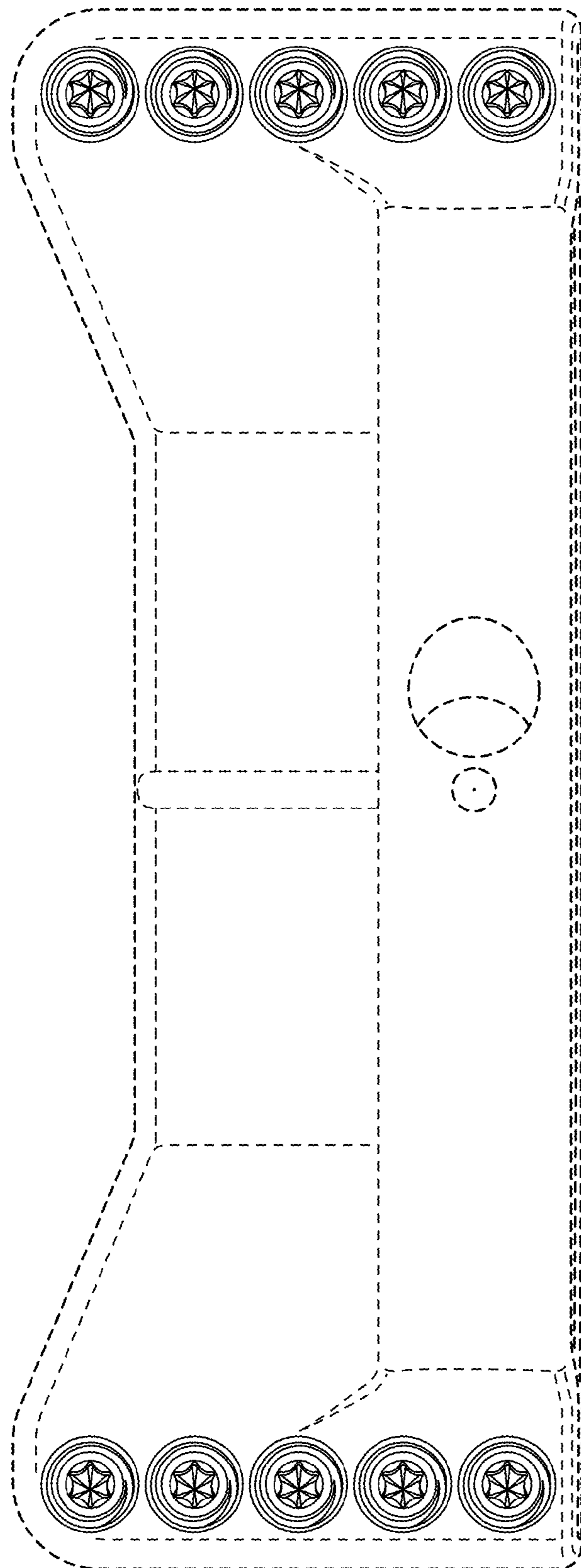


FIG. 5

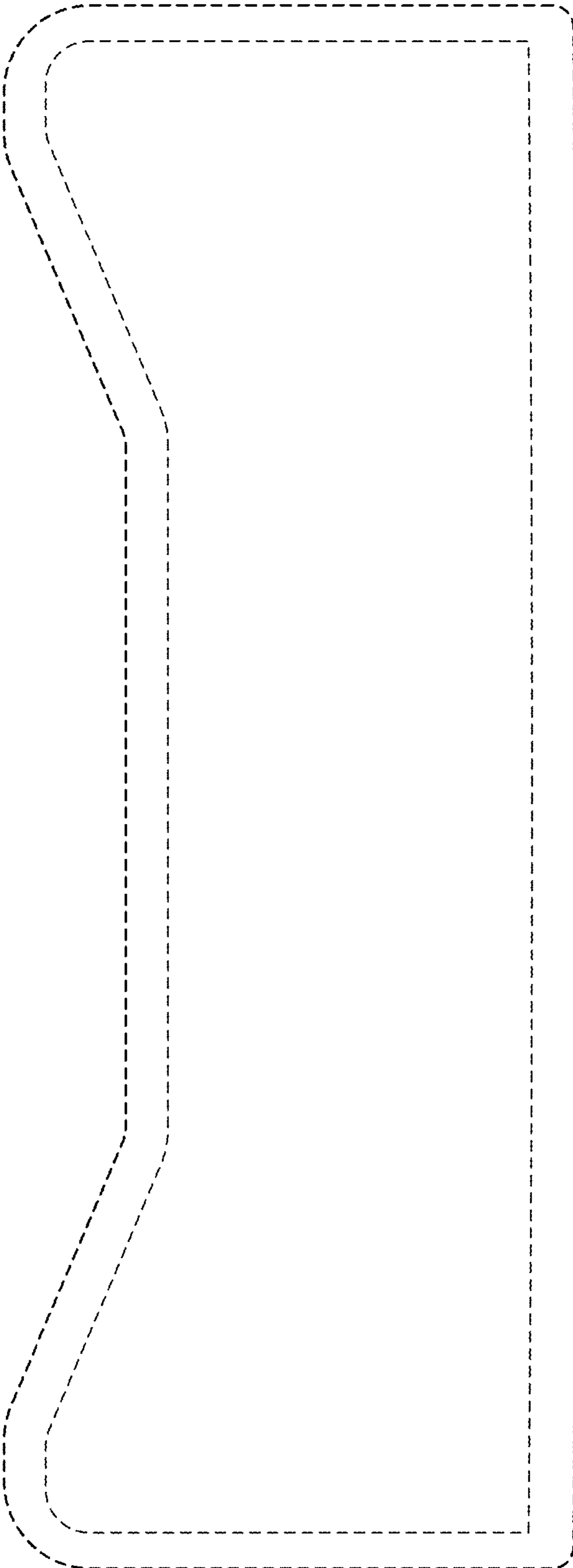


FIG. 6

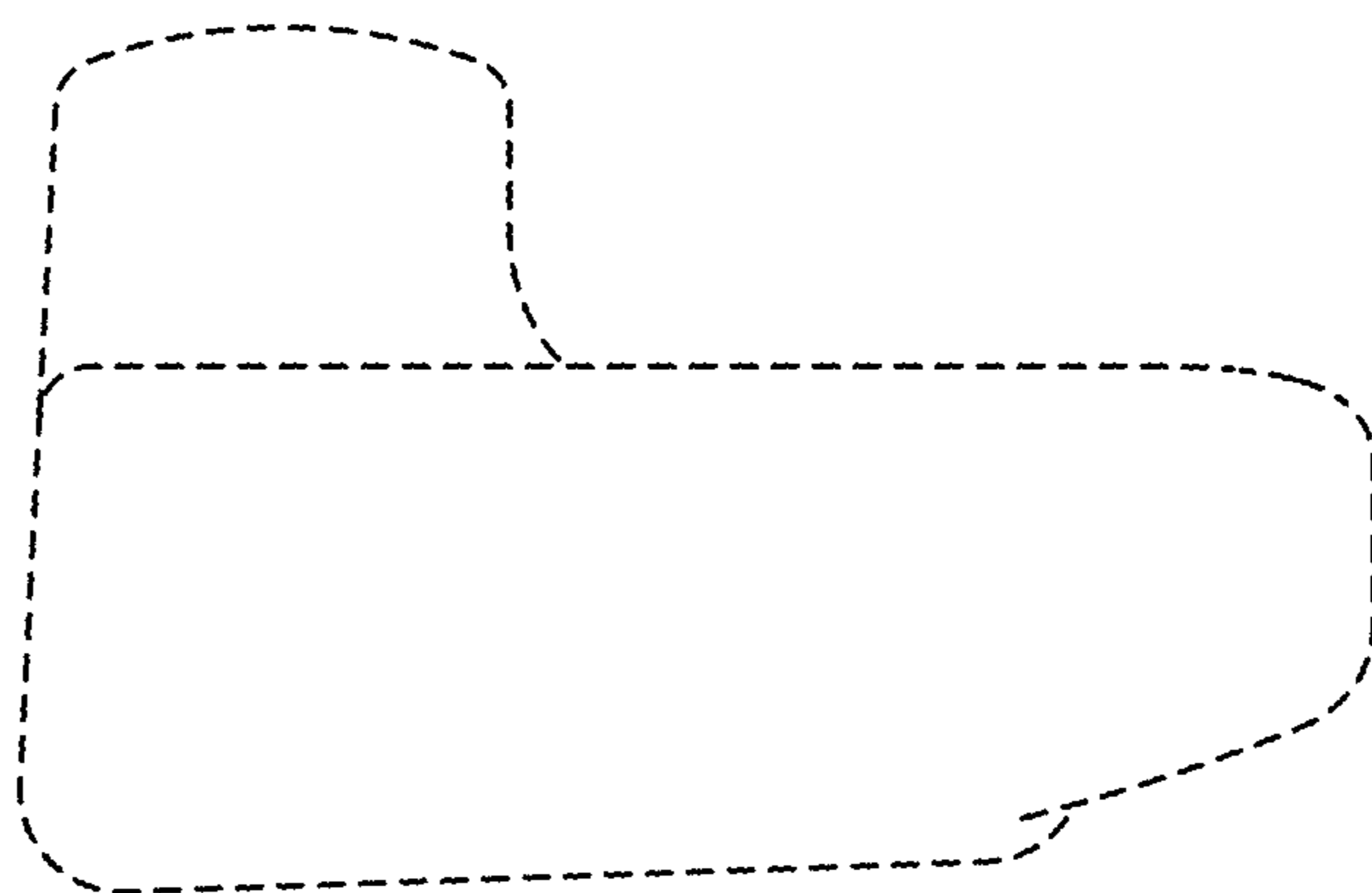


FIG. 7

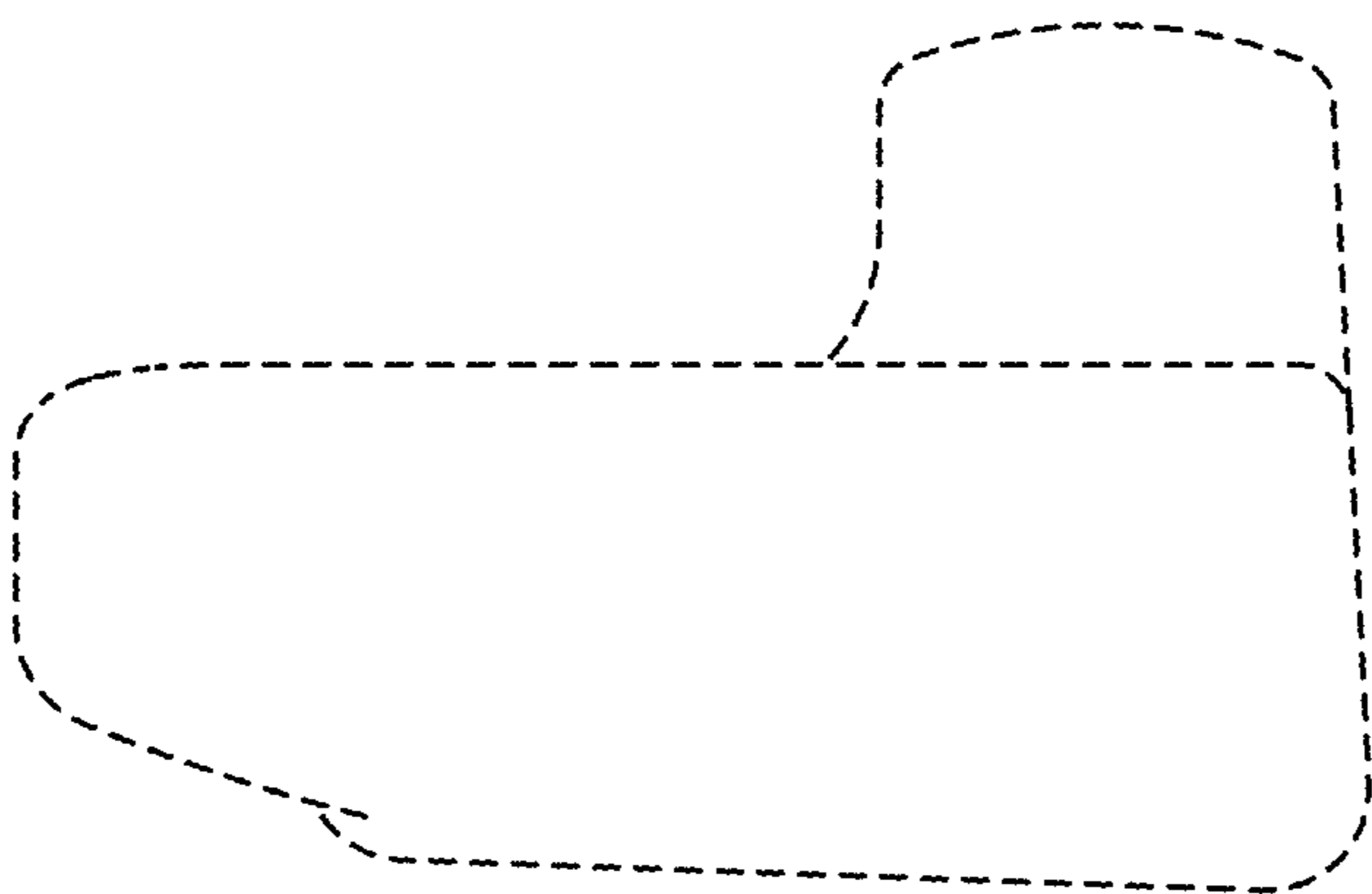


FIG. 8