



US00D738443S

(12) **United States Design Patent**  
**James**

(10) **Patent No.:** **US D738,443 S**

(45) **Date of Patent:** **\*\* Sep. 8, 2015**

(54) **DOLL HEAD STAND**

(71) Applicant: **Anne Denise James**, San Diego, CA  
(US)

(72) Inventor: **Anne Denise James**, San Diego, CA  
(US)

(73) Assignee: **Anne Denise James**, Escondido, CA  
(US)

(\*\*) Term: **14 Years**

(21) Appl. No.: **29/474,628**

(22) Filed: **May 21, 2014**

(51) **LOC (10) Cl.** ..... **21-01**

(52) **U.S. Cl.**  
USPC ..... **D21/658**

(58) **Field of Classification Search**  
USPC ..... D21/658; D3/274; D6/677; D20/2, 15;  
248/158  
CPC ..... A63H 3/50; A47F 7/0028  
See application file for complete search history.

(56) **References Cited**

U.S. PATENT DOCUMENTS

D246,409 S *	11/1977	Ventura	.....	D6/677
D275,973 S *	10/1984	Marino	.....	D21/469
D363,959 S *	11/1995	Grubbs	.....	D21/658
D407,236 S *	3/1999	Latta	.....	D3/274
D532,464 S *	11/2006	Gershwin	.....	D21/658

\* cited by examiner

*Primary Examiner* — Zenia Bennett

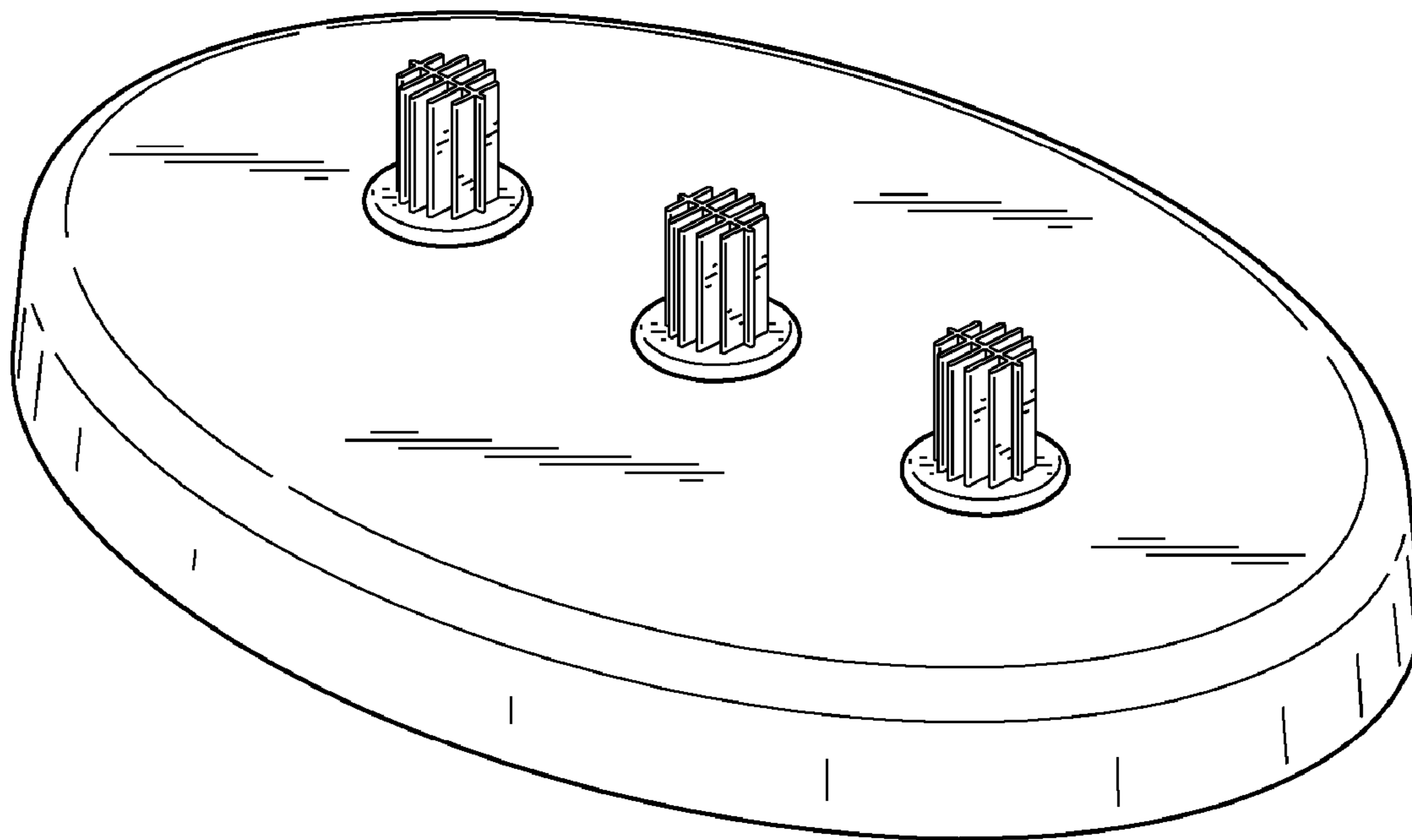
(57) **CLAIM**

The ornamental design for a doll head stand, as shown and described.

**DESCRIPTION**

FIG. 1 is a perspective front view of a doll head stand; FIG. 2 is a front elevation view of the doll head stand; the rear elevation view being a mirror image thereof; FIG. 3 is a left side elevation view of the doll head stand; the right side view being a mirror image thereof; FIG. 4 is a top plan view of the doll head stand; FIG. 5 is a bottom plan view of the doll head stand; and, FIG. 6 is a perspective bottom view of the doll head stand.

**1 Claim, 4 Drawing Sheets**



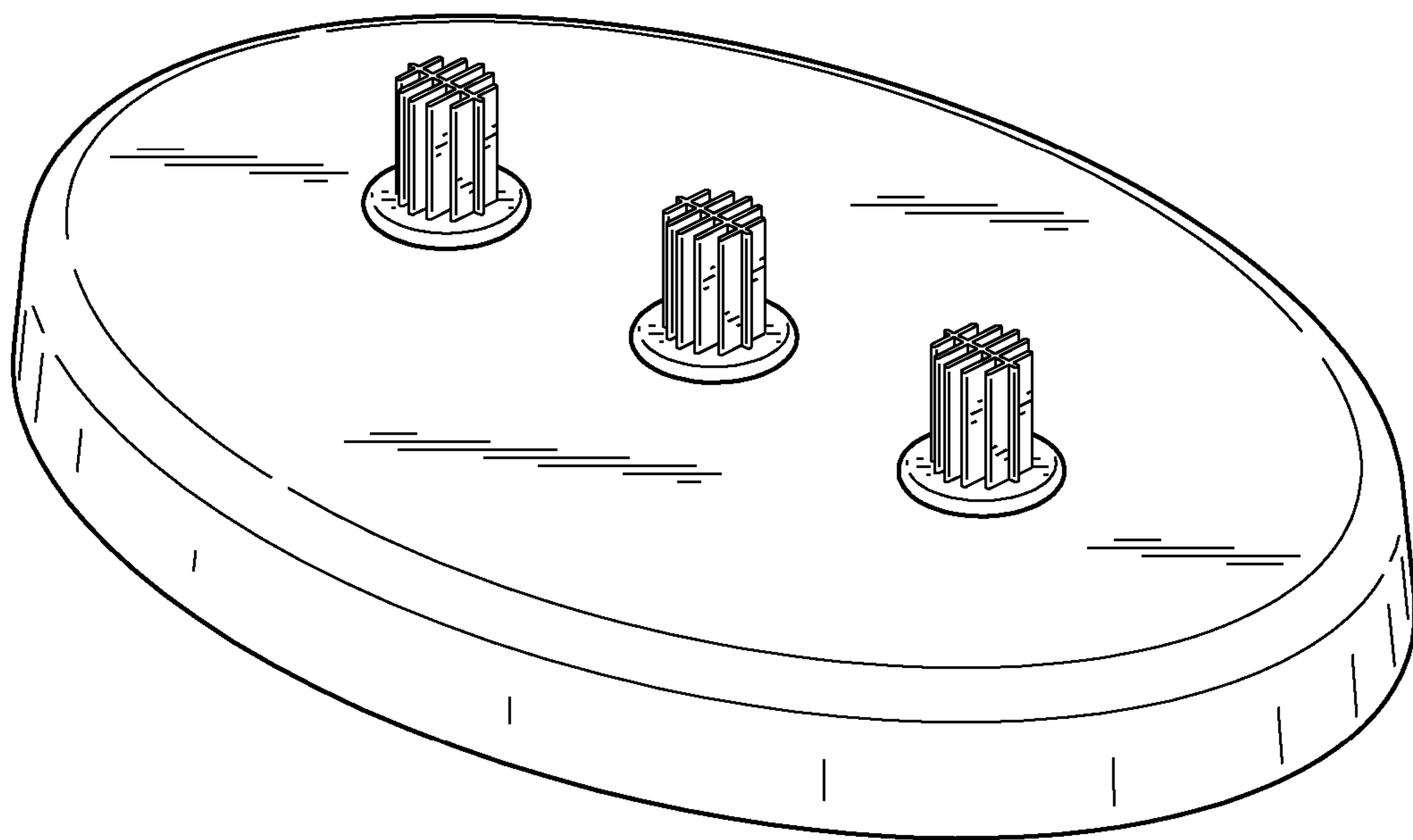


FIG. 1

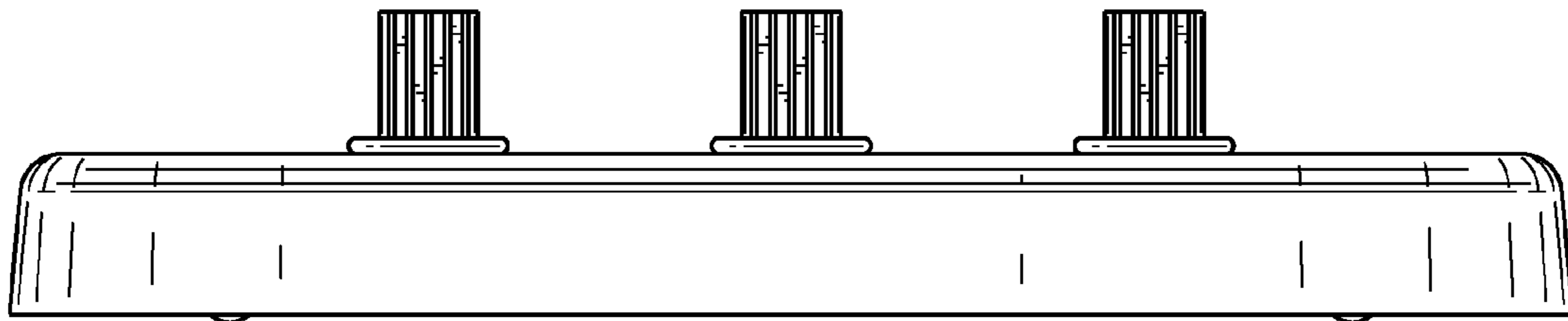


FIG. 2

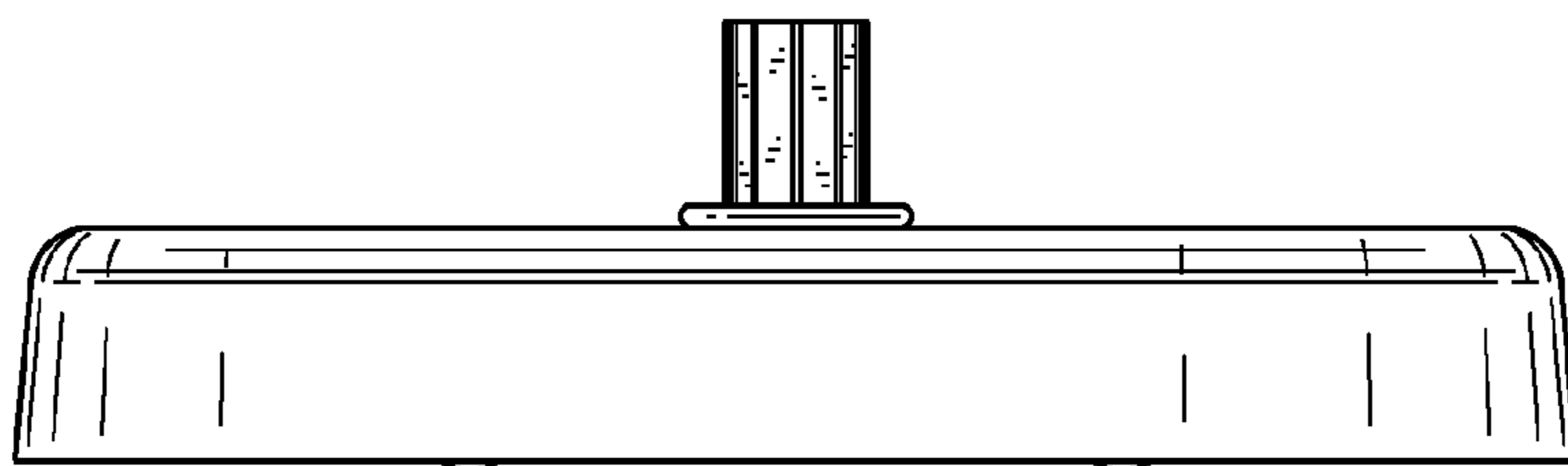


FIG. 3

FIG. 4

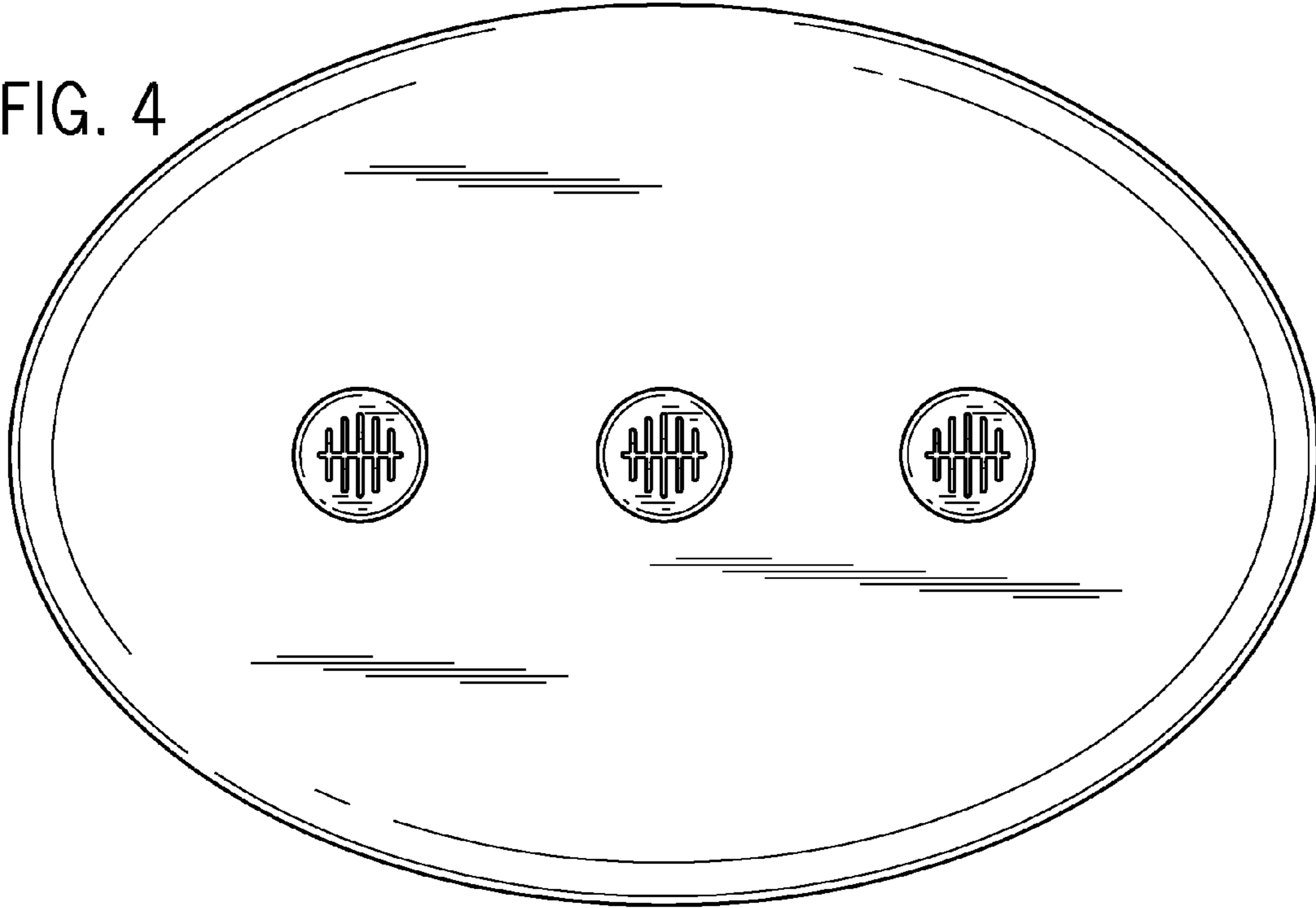
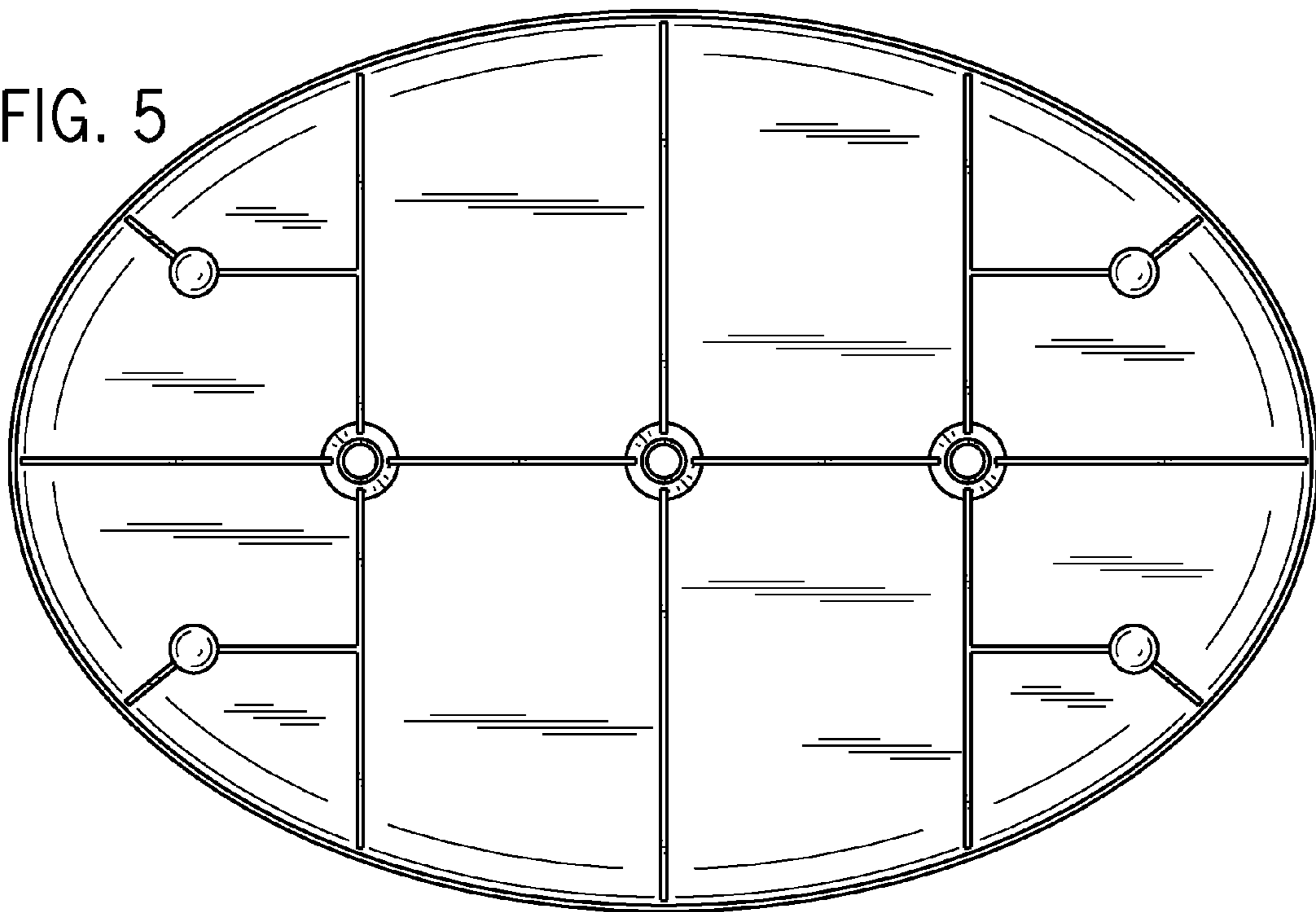


FIG. 5



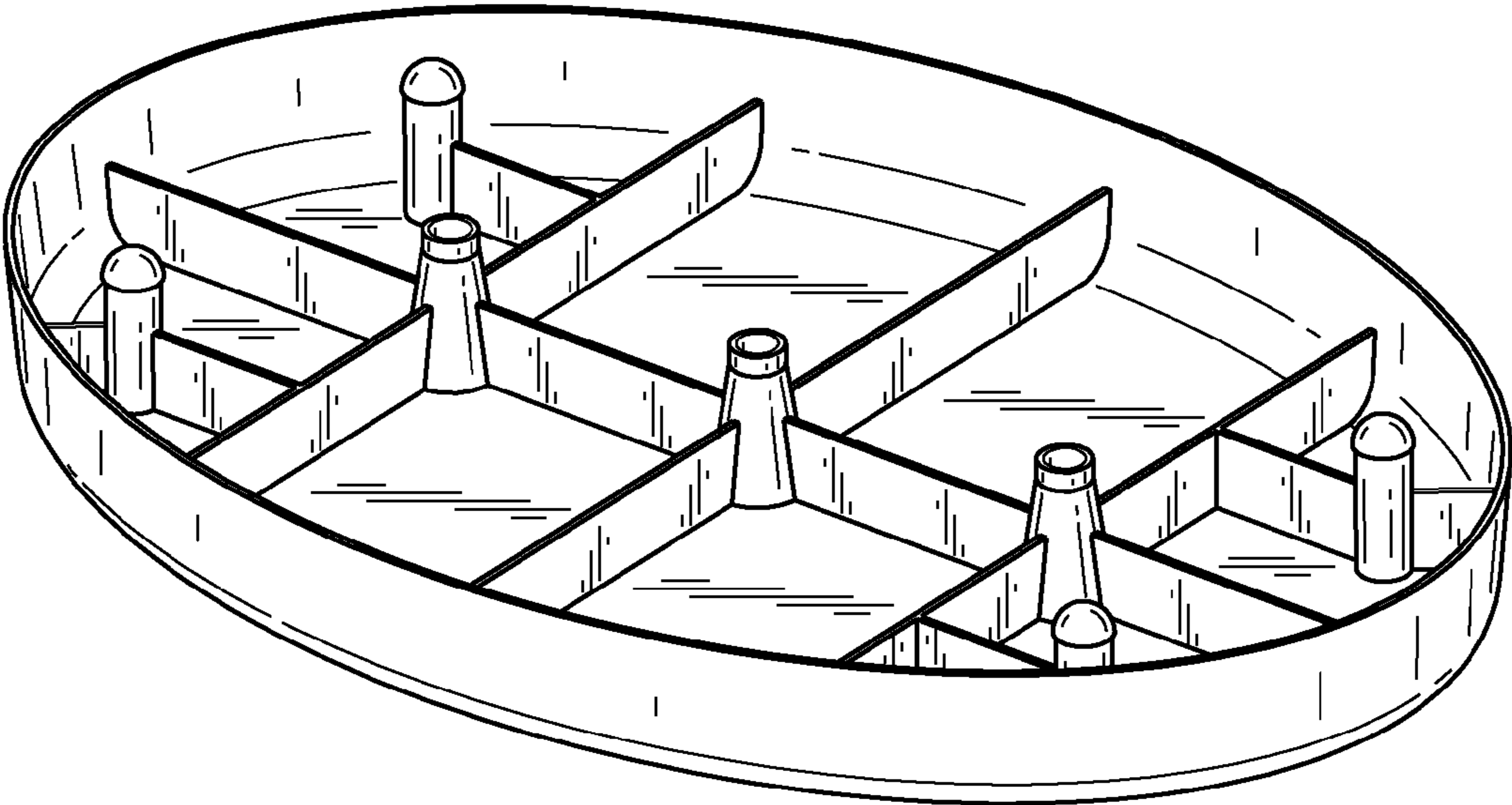


FIG. 6