



US00D738439S

(12) **United States Design Patent**  
**Kanbar et al.**

(10) **Patent No.:** **US D738,439 S**  
(45) **Date of Patent:** **\*\* Sep. 8, 2015**

(54) **SPUR GEAR ROTATING BLOCK FOR A TOY CONSTRUCTION SET**

(56) **References Cited**

U.S. PATENT DOCUMENTS

(71) Applicants: **Maurice S. Kanbar**, San Francisco, CA (US); **Albert Kolvites**, San Mateo, CA (US)

D108,098	S	*	1/1938	Gilbert	.....	D21/488
3,177,611	A	*	4/1965	Beck	.....	446/114
D206,012	S	*	10/1966	Kristiansen	.....	D21/488
4,690,656	A	*	9/1987	Friedman et al.	.....	446/95
D330,052	S	*	10/1992	Klitsner	.....	D21/488
5,194,031	A	*	3/1993	Sahler	.....	446/103
D349,736	S	*	8/1994	Hatting	.....	D21/561
D366,073	S	*	1/1996	Schmidt et al.	.....	D21/488
D414,276	S	*	9/1999	Bruno et al.	.....	D25/113
6,315,628	B1	*	11/2001	Quercetti	.....	446/128
6,412,362	B1	*	7/2002	Leung	.....	446/118
D468,778	S	*	1/2003	Manville	.....	D21/489
D474,513	S	*	5/2003	Kichijo	.....	D21/503
6,561,866	B1	*	5/2003	Lee	.....	446/90
6,821,182	B2	*	11/2004	Polick	.....	446/103
D538,346	S	*	3/2007	Rowe	.....	D19/59
D572,578	S	*	7/2008	Sato et al.	.....	D8/382
2002/0065016	A1	*	5/2002	Huang	.....	446/103

(72) Inventors: **Maurice S. Kanbar**, San Francisco, CA (US); **Albert Kolvites**, San Mateo, CA (US)

(73) Assignee: **Maurice S. Kanbar Revocable Trust**, San Francisco, CA (US)

(\*\*) Term: **14 Years**

(21) Appl. No.: **29/488,480**

(22) Filed: **Apr. 18, 2014**

\* cited by examiner

**Related U.S. Application Data**

(63) Continuation-in-part of application No. 14/180,211, filed on Feb. 13, 2014.

(51) **LOC (10) Cl.** ..... **21-01**

(52) **U.S. Cl.**  
USPC ..... **D21/493**

(58) **Field of Classification Search**  
USPC ..... D21/386, 460, 484, 485-505, 561;  
446/69, 85, 90, 102-128; 434/208,  
434/259, 403; 273/153, 156, 160; 428/174;  
D15/148  
CPC ..... A63H 33/00; A63H 33/04; A63H 33/06;  
A63H 33/08; A63H 33/10; A63H 33/12;  
A63H 33/14; A63F 9/08; A63F 9/12; G09B  
1/36

See application file for complete search history.

*Primary Examiner* — Cynthia M Chin

(74) *Attorney, Agent, or Firm* — Litts Law Firm

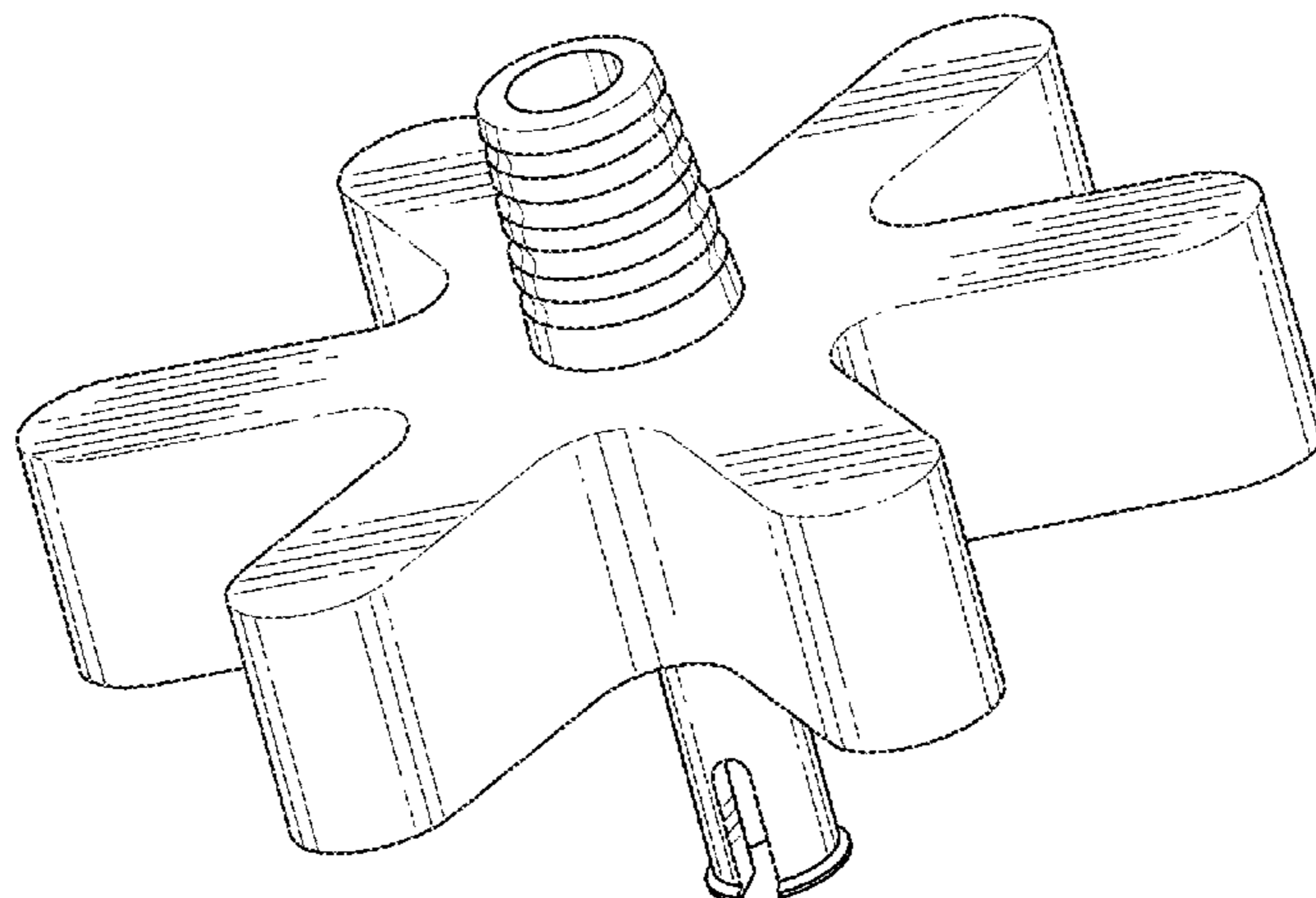
(57) **CLAIM**

The ornamental design for a spur gear rotating block for a toy construction set, as shown and described.

**DESCRIPTION**

FIG. 1 is a front perspective view of a spur gear rotating block for a toy construction set showing our new design; FIG. 2 is a top plan view thereof; FIG. 3 is a bottom plan view thereof; FIG. 4 is a front elevation view thereof; FIG. 5 is a rear elevation view thereof; FIG. 6 is a right side elevation view thereof; and, FIG. 7 is a left side elevation view thereof. The broken lines in the figures are for environmental purpose only and form no part of the claimed design.

**1 Claim, 5 Drawing Sheets**



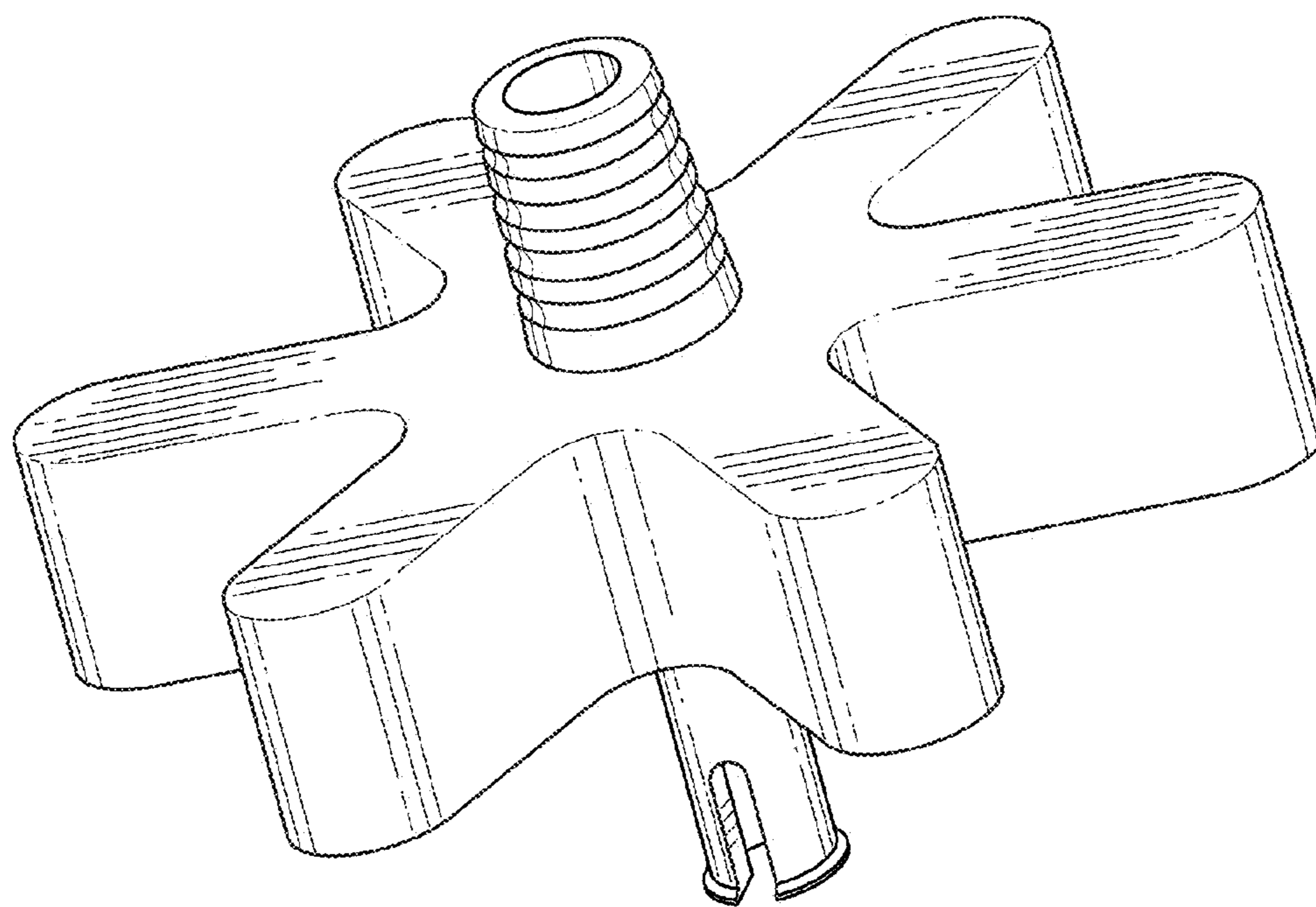


FIG. 1

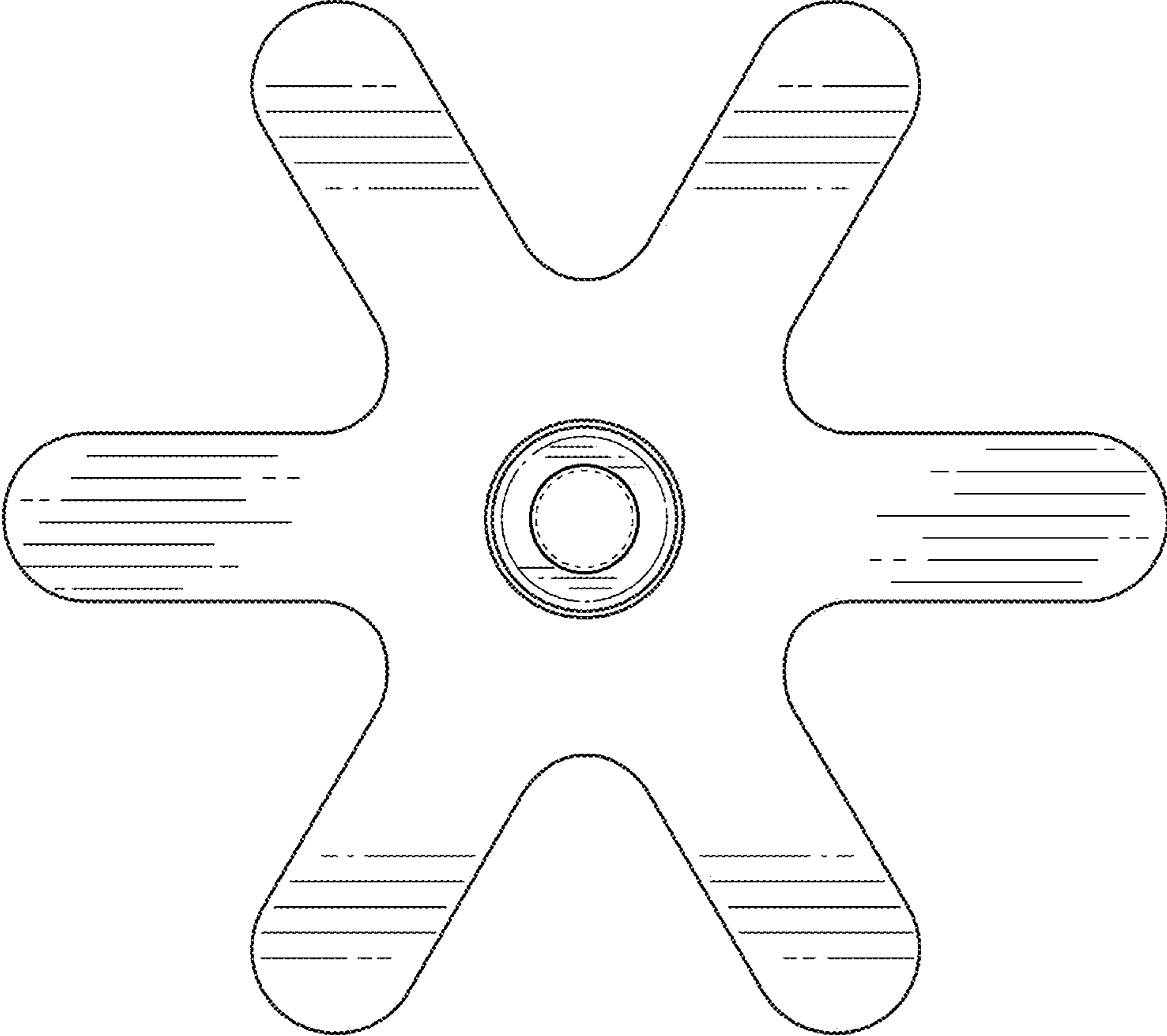


FIG. 2

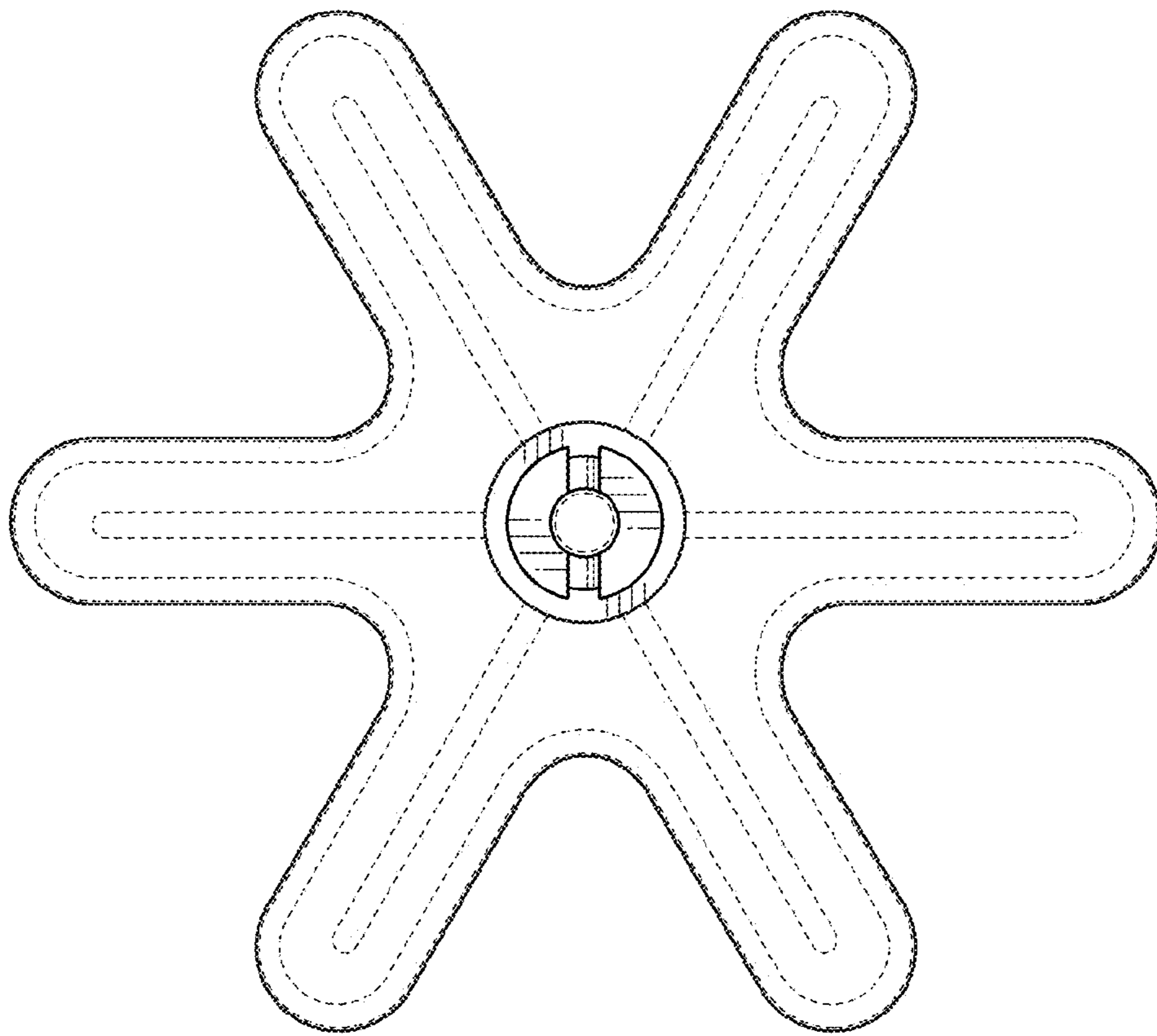


FIG. 3

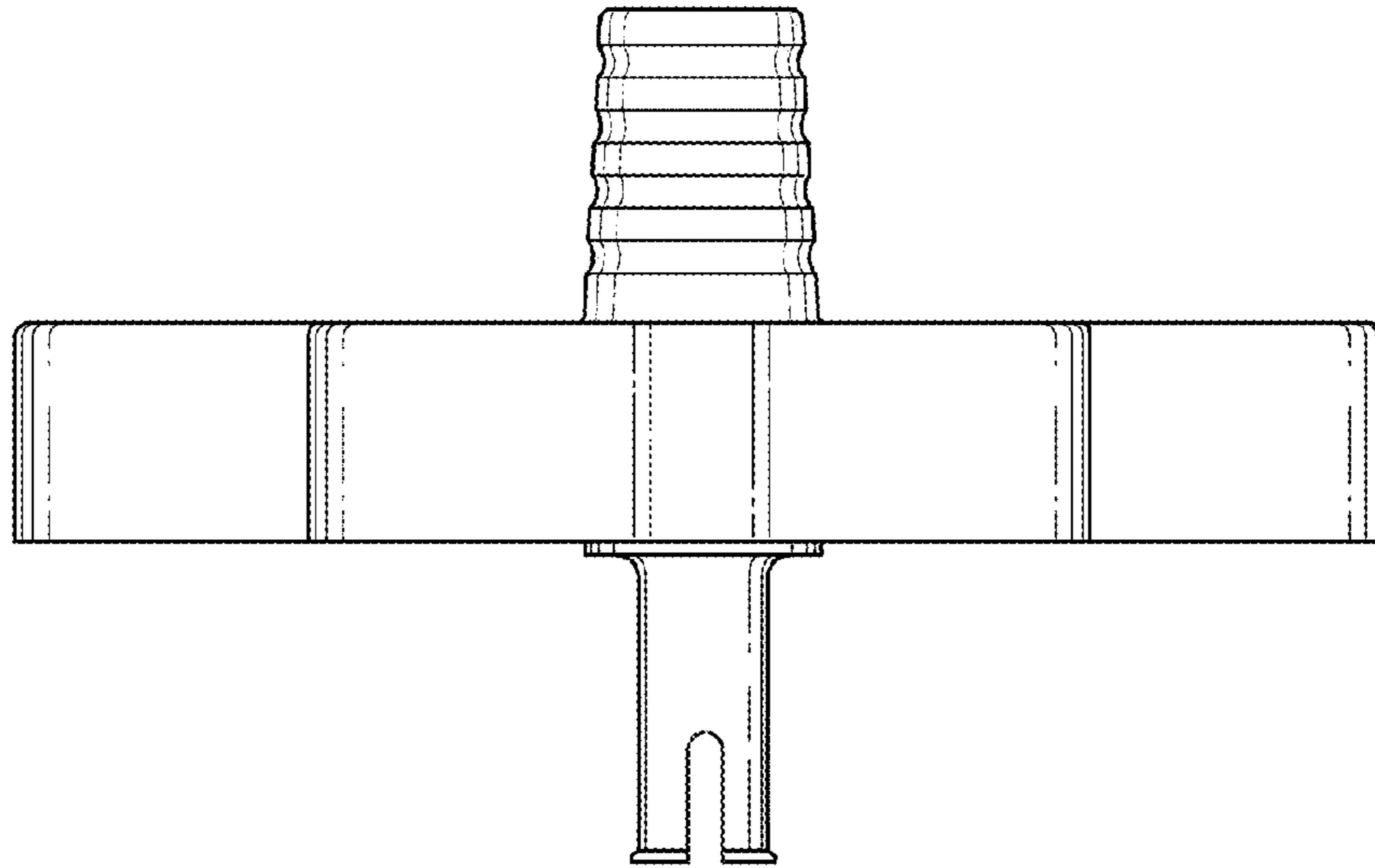


FIG. 4

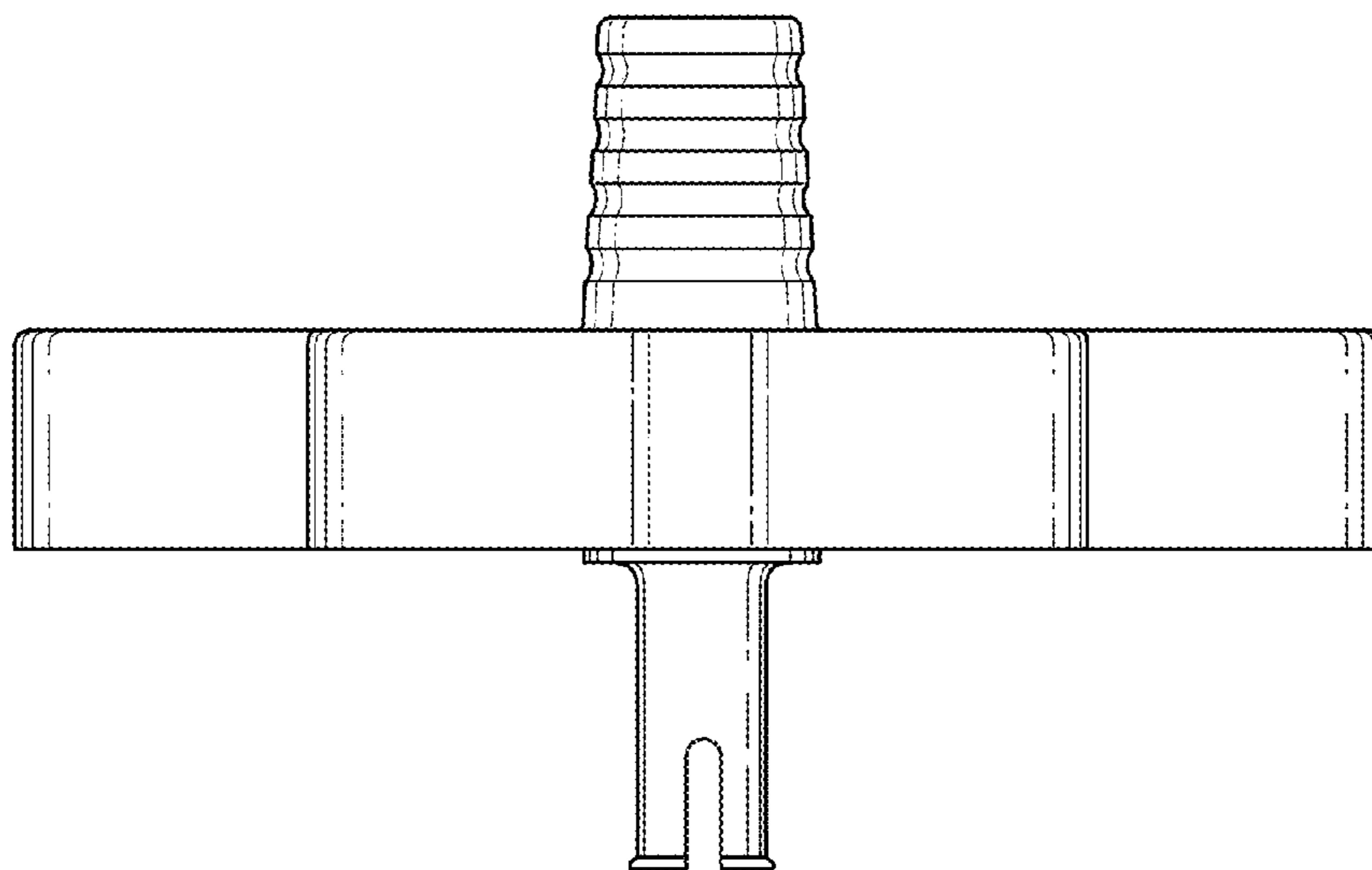


FIG. 5

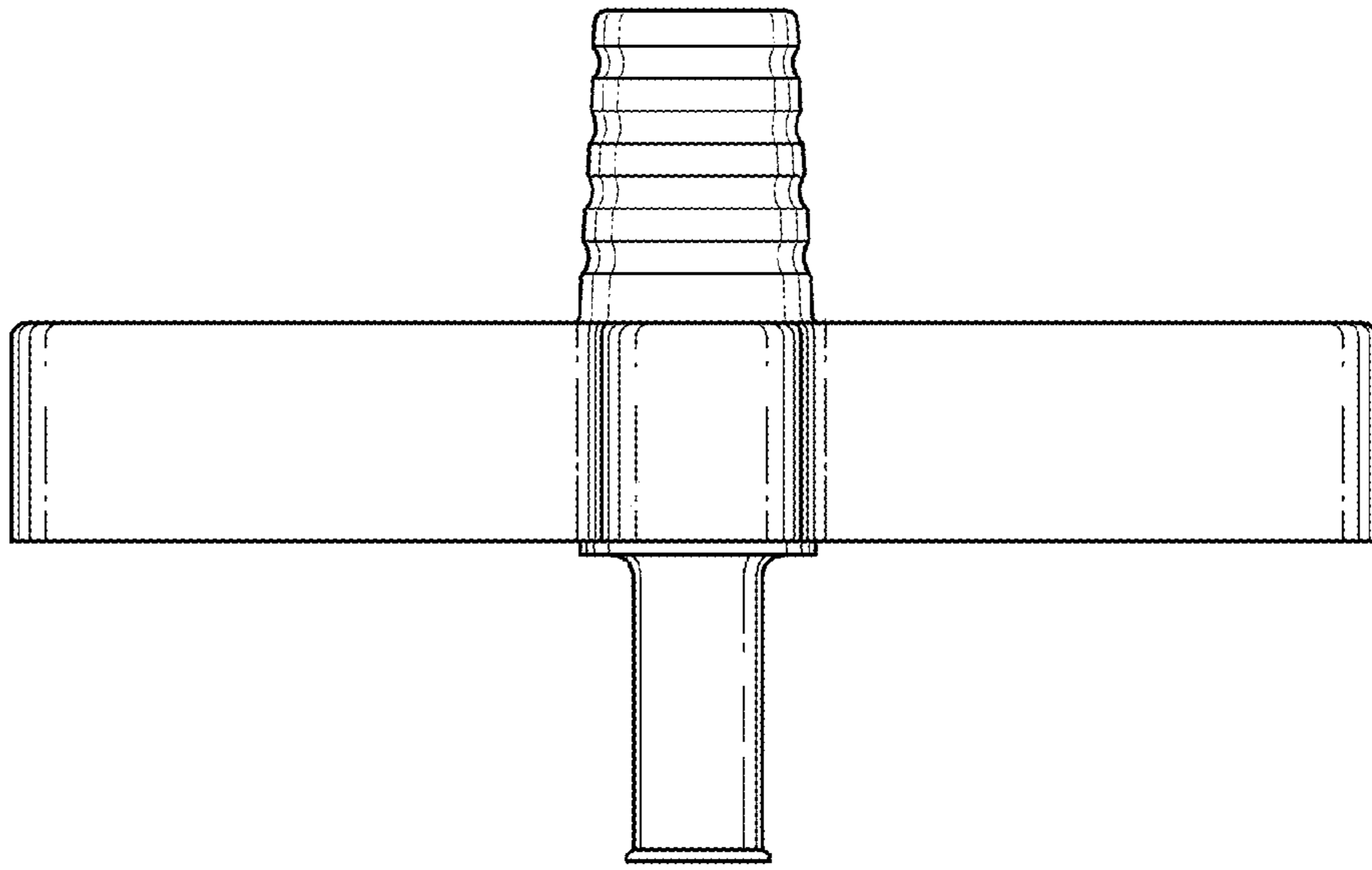


FIG. 6

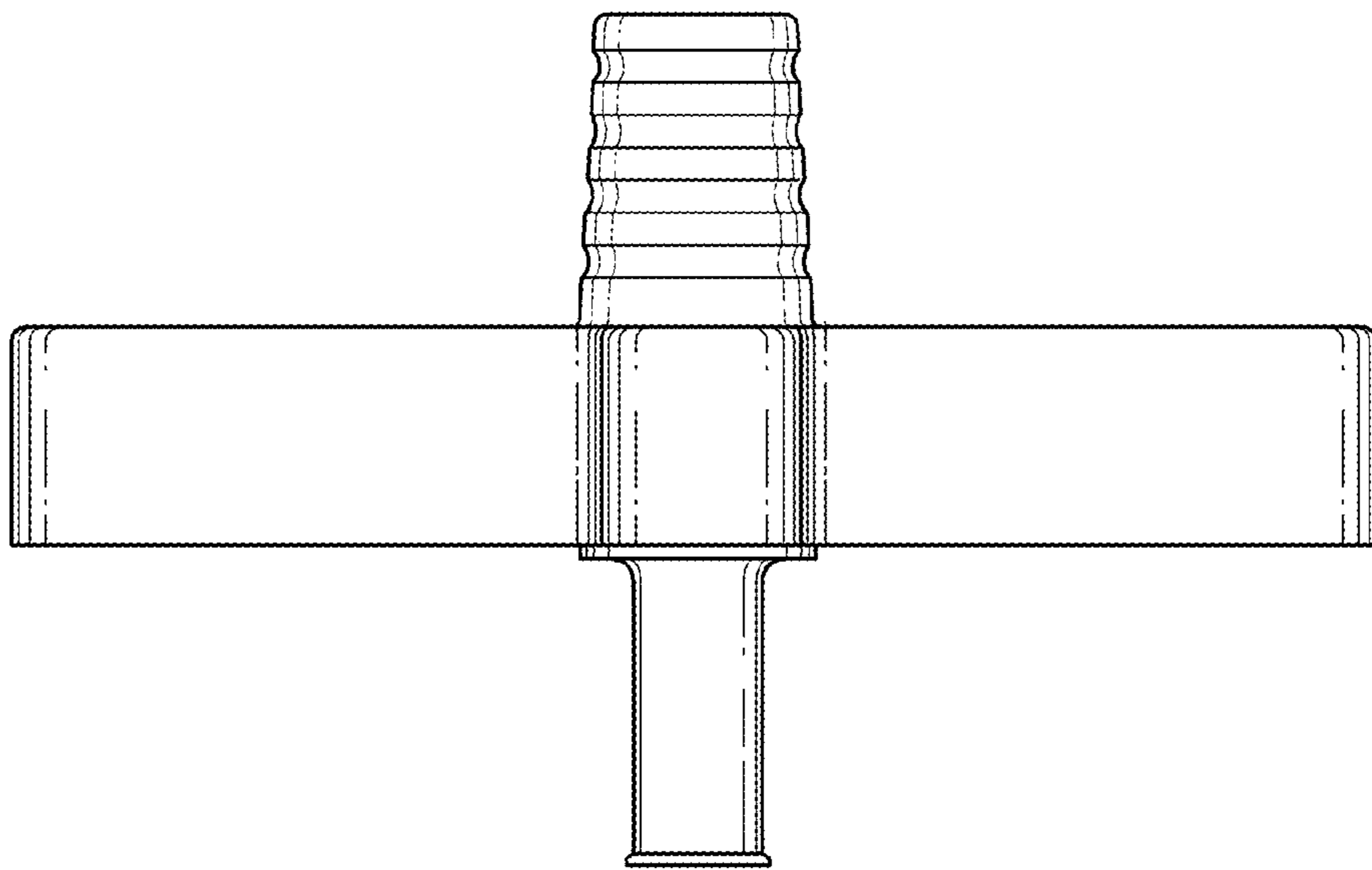


FIG. 7