



US00D738437S

(12) **United States Design Patent**
Spence et al.

(10) **Patent No.:** **US D738,437 S**
(45) **Date of Patent:** **** Sep. 8, 2015**

- (54) **RIDE-ON TOY**
- (71) Applicant: **Gallo & Spence Toys, LLC**, Austin, TX (US)
- (72) Inventors: **Brett Spence**, Austin, TX (US); **John Spence**, Brentwood, TN (US); **Franco del Gallo**, Pretoria (ZA)
- (73) Assignee: **Gallo & Spence Toys LLC**, Austin, TX (US)
- (**) Term: **14 Years**
- (21) Appl. No.: **29/511,685**
- (22) Filed: **Dec. 12, 2014**
- (51) **LOC (10) Cl.** **21-01**
- (52) **U.S. Cl.**
USPC **D21/432**
- (58) **Field of Classification Search**
USPC D21/419, 421, 423, 424, 432, 435, 533, D21/538; D12/110, 112, 116; 446/431, 440, 446/457, 462; 280/29, 203, 282, 828, 210, 280/263
CPC B62K 9/00; B62K 9/02; B62K 5/02; B62K 5/027; B62K 5/06; B60K 1/00; A63H 17/21
See application file for complete search history.

(56) **References Cited**

U.S. PATENT DOCUMENTS

- D271,594 S * 11/1983 Mercurio et al. D21/432
- D346,834 S * 5/1994 Consiglio D21/432

(Continued)

Primary Examiner — Cynthia M Chin

(74) *Attorney, Agent, or Firm* — Blake M. Bernard; Waller Lansden Dortch & Davis

(57) **CLAIM**

What is claimed is the ornamental design for a ride-on toy, as shown and described.

DESCRIPTION

FIG. 1 is a front perspective view showing the ride-on toy. The broken lines on the body of the ride-on toy are shown to define boundaries of various ornamental features that are not part of the claimed design. The areas within the broken line boundaries are not part of the claimed design. The broken lines for

the wheels beneath the ride-on-toy are shown for environmental purposes only and form no part of the claimed design. FIG. 2 is a back perspective view of the ride-on toy of FIG. 1. The broken lines on the body of the ride-on toy are shown to define boundaries of various ornamental features that are not part of the claimed design. The areas within the broken line boundaries are not part of the claimed design. The broken lines for the wheels beneath the ride-on-toy are shown for environmental purposes only and form no part of the claimed design.

FIG. 3 is a front elevation of the ride-on toy of FIG. 1. The broken lines on the body of the ride-on toy are shown to define boundaries of various ornamental features that are not part of the claimed design. The areas within the broken line boundaries are not part of the claimed design. The broken lines for the wheels beneath the ride-on-toy are shown for environmental purposes only and form no part of the claimed design.

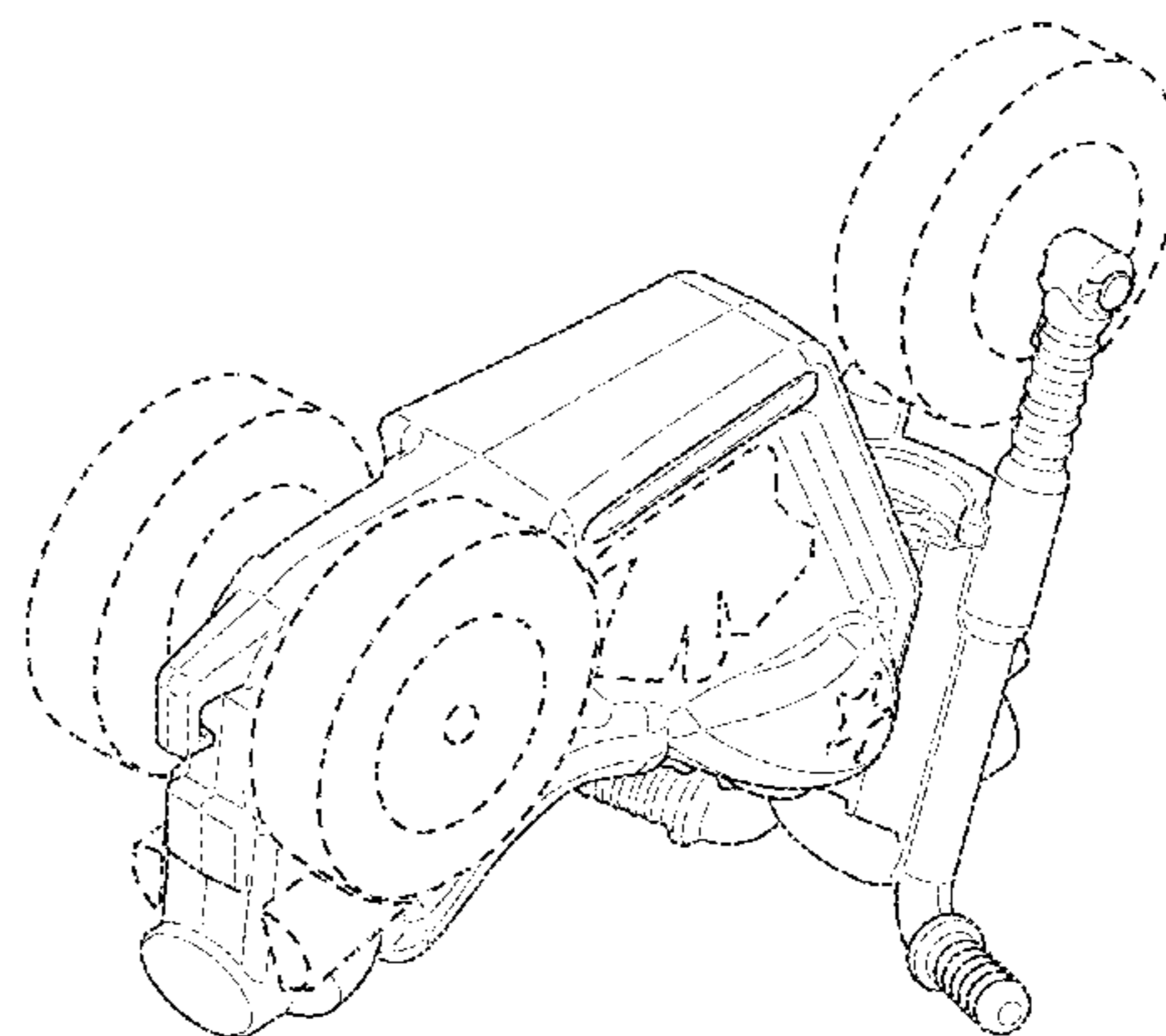
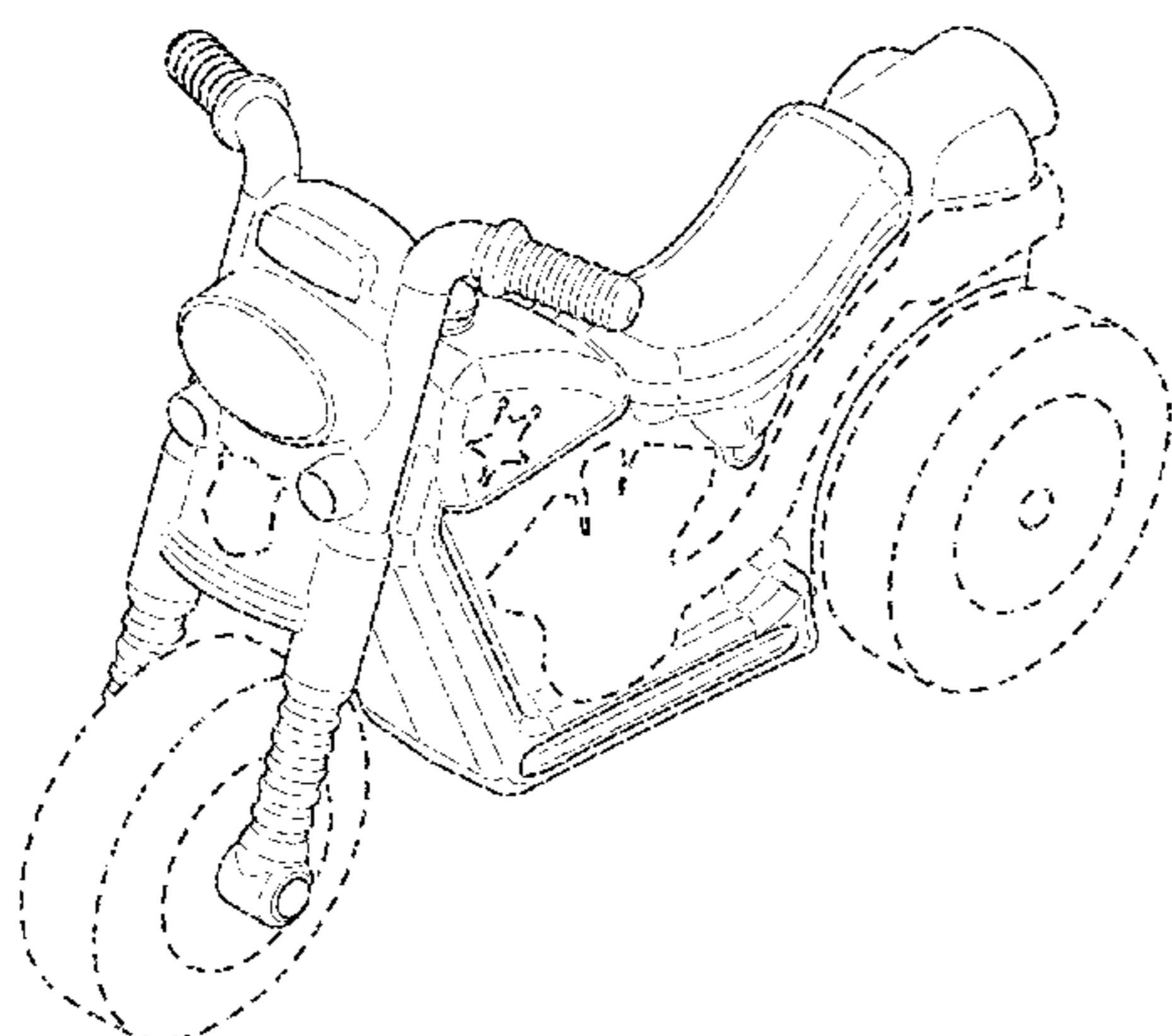
FIG. 4 is a rear elevation of the ride-on toy of FIG. 1. The broken lines on the body of the ride-on toy are shown to define boundaries of various ornamental features that are not part of the claimed design. The areas within the broken line boundaries are not part of the claimed design. The broken lines for the wheels beneath the ride-on-toy are shown for environmental purposes only and form no part of the claimed design.

FIG. 5 is a right side elevation of the ride-on toy of FIG. 1, the left side elevation of the ride-on toy being a mirror image thereof. The broken lines on the body of the ride-on toy are shown to define boundaries of various ornamental features that are not part of the claimed design. The areas within the broken line boundaries are not part of the claimed design. The broken lines for the wheels beneath the ride-on-toy are shown for environmental purposes only and form no part of the claimed design.

FIG. 6 is a top view of the ride-on toy of FIG. 1. The broken lines on the body of the ride-on toy are shown to define boundaries of various ornamental features that are not part of the claimed design. The areas within the broken line boundaries are not part of the claimed design. The broken lines for the wheels beneath the ride-on-toy are shown for environmental purposes only and form no part of the claimed design; and,

FIG. 7 is a bottom view of the ride-on toy of FIG. 1. The broken lines on the body of the ride-on toy are shown to define boundaries of various ornamental features that are not part of the claimed design. The areas within the broken line boundaries are not part of the claimed design. The broken lines for the wheels beneath the ride-on-toy are shown for environmental purposes only and form no part of the claimed design.

1 Claim, 3 Drawing Sheets



(56)

References Cited

U.S. PATENT DOCUMENTS

D351,125 S * 10/1994 Chen D12/112
D377,773 S * 2/1997 Sloss D12/111
D392,343 S * 3/1998 Sloss D21/435
D399,270 S * 10/1998 Harrod D21/435

D423,059 S * 4/2000 Chuan D21/432
D447,190 S * 8/2001 Tse D21/432
D532,460 S * 11/2006 Auberger D21/432
D588,205 S * 3/2009 Kruger et al. D21/423
D716,878 S * 11/2014 Wu D21/432

* cited by examiner

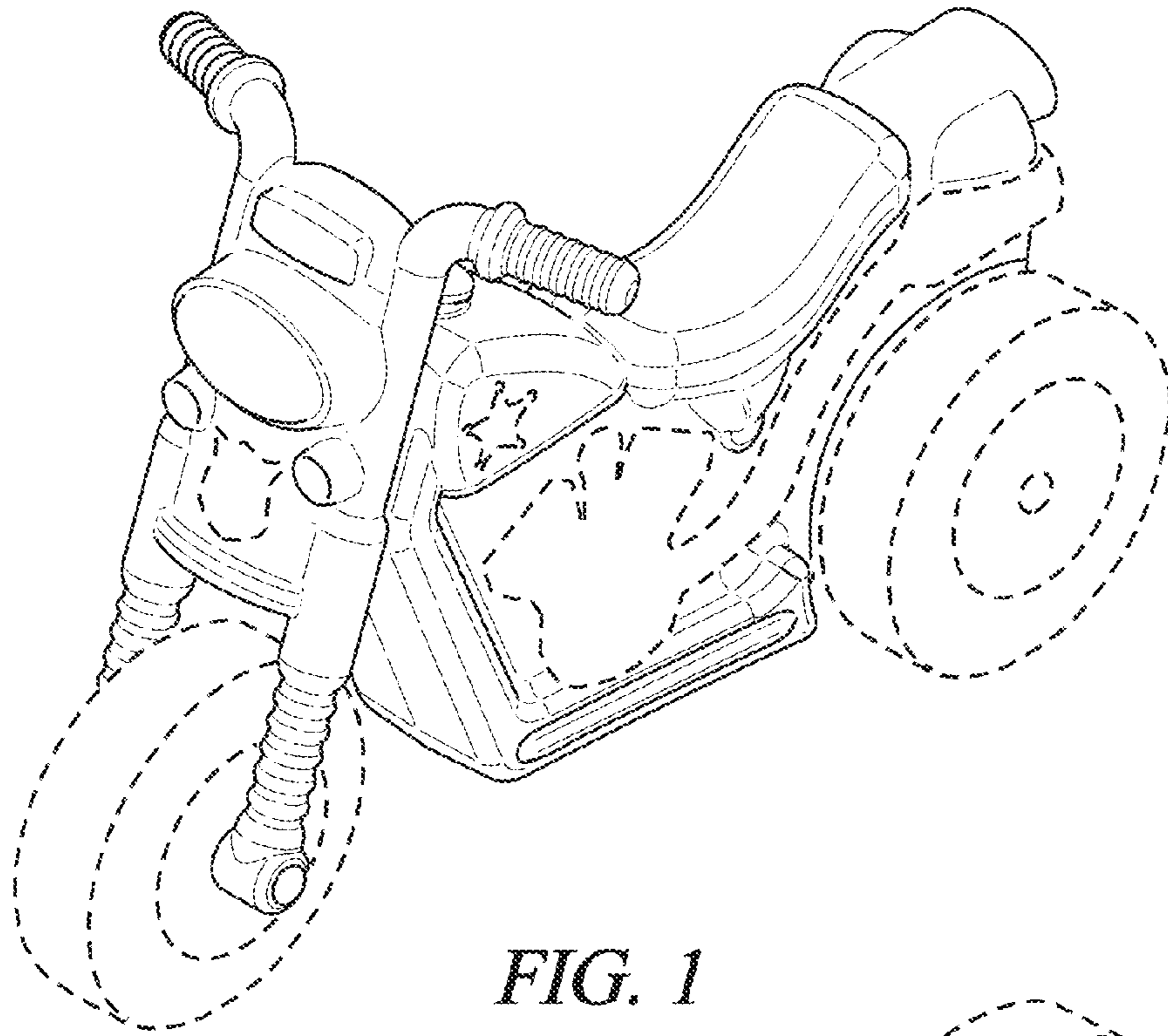


FIG. 1

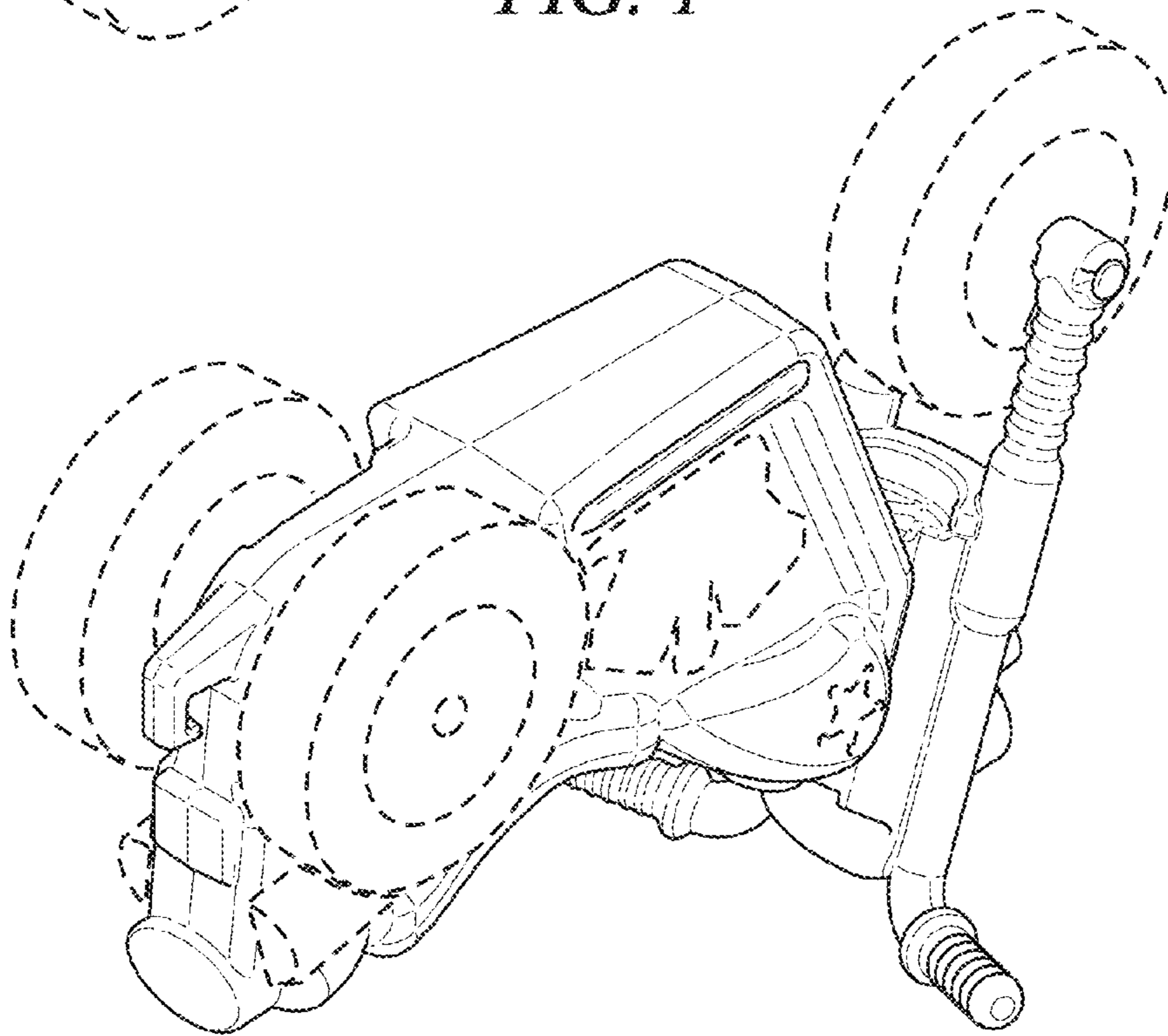


FIG. 2

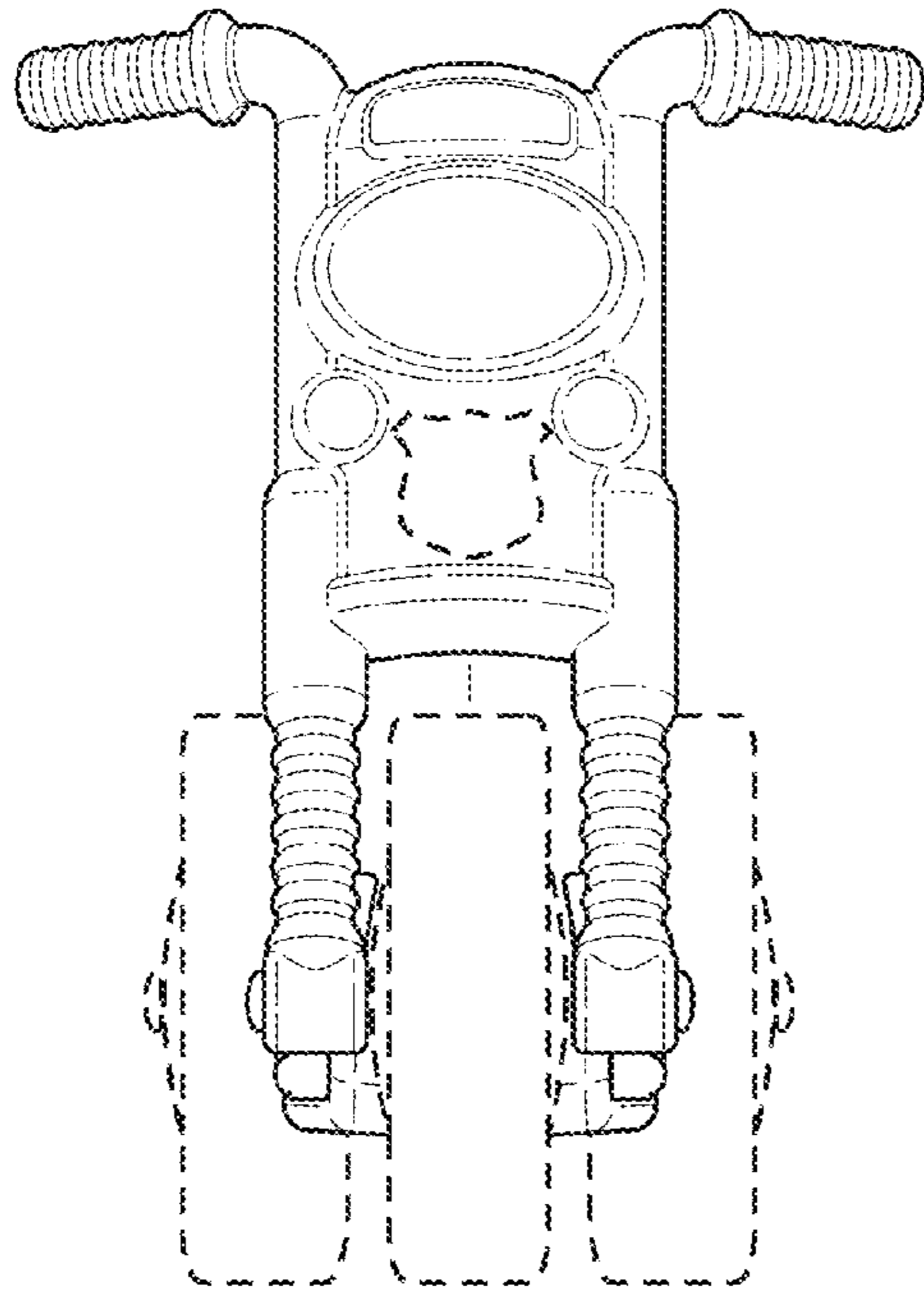


FIG. 3

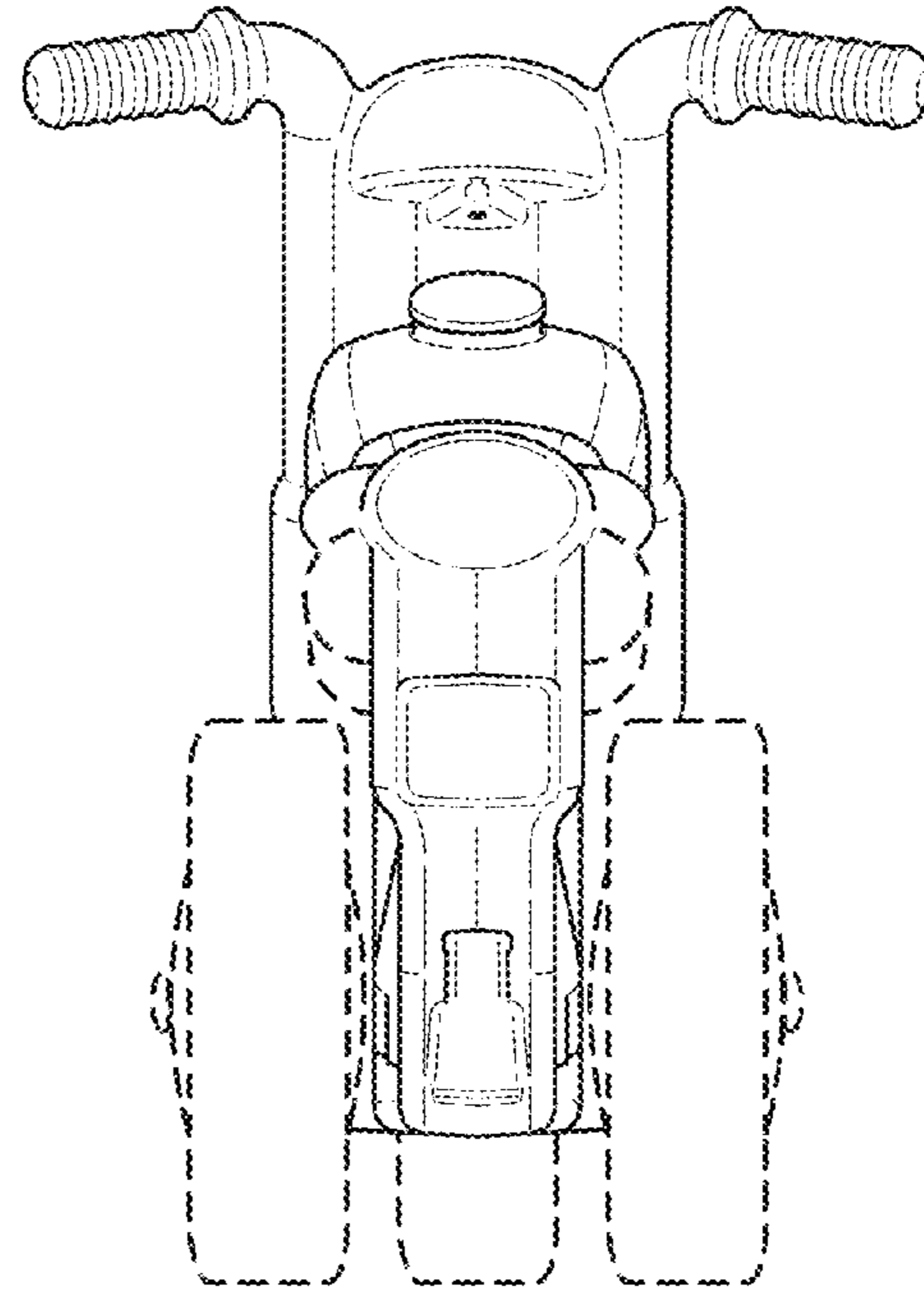


FIG. 4

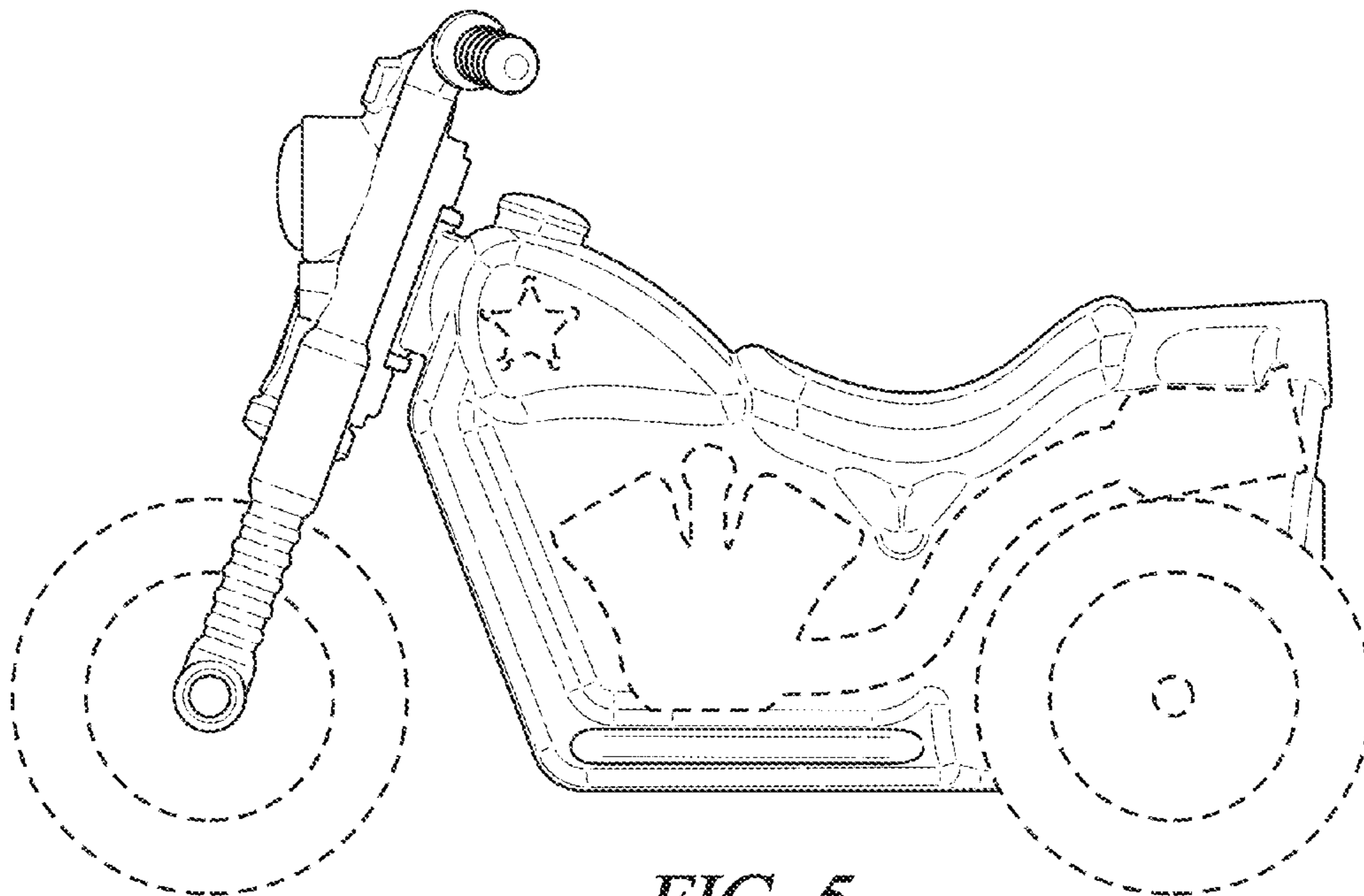


FIG. 5

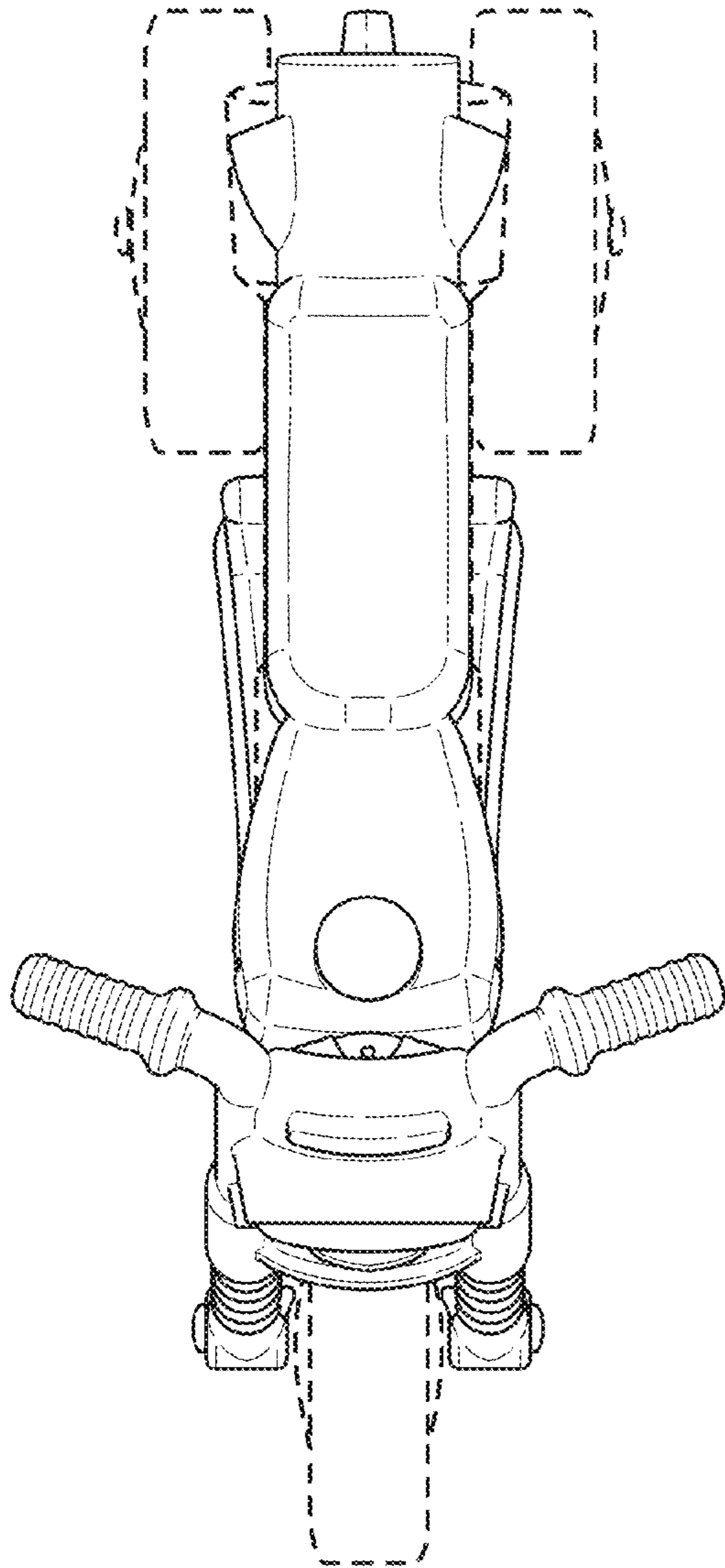


FIG. 6

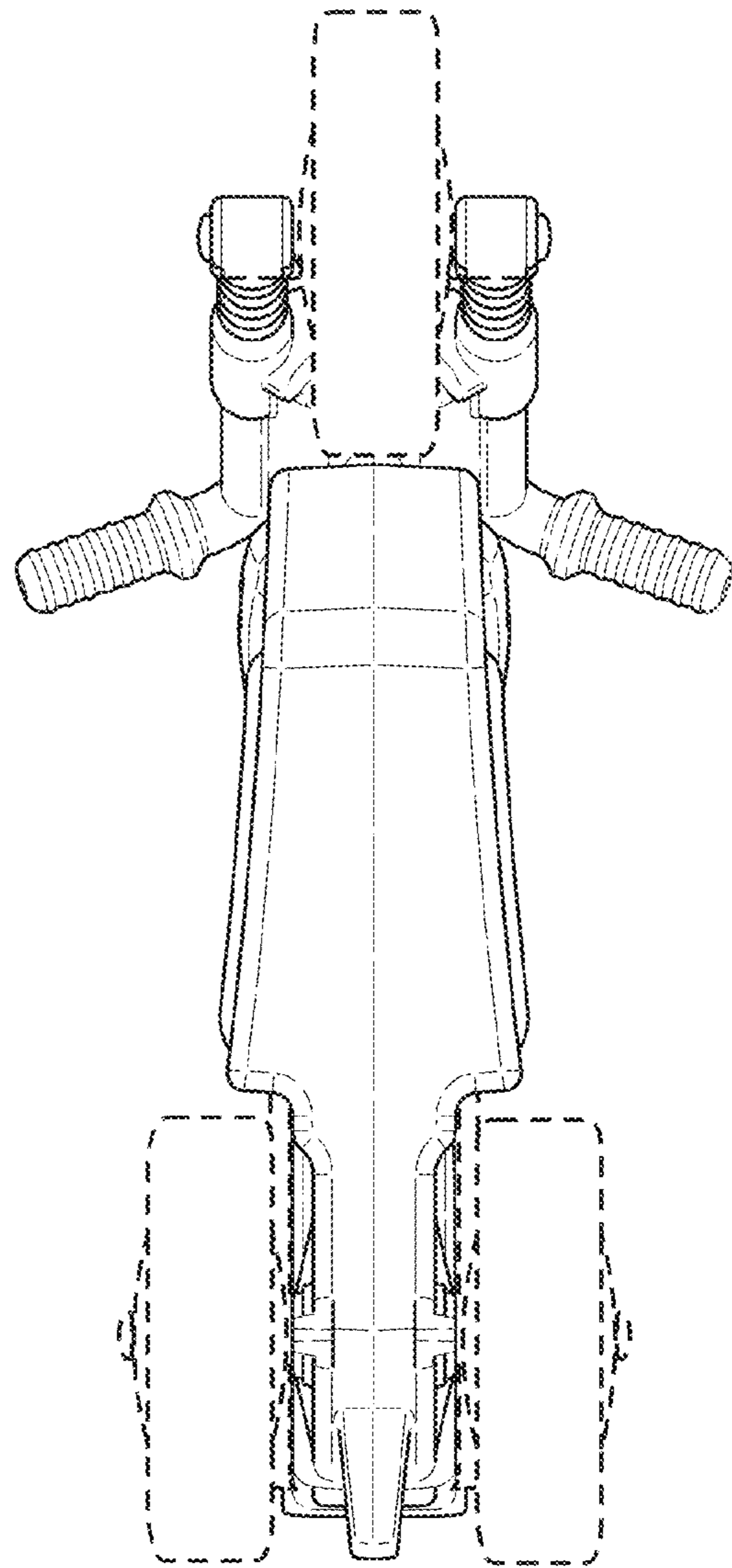


FIG. 7