



US00D738436S

(12) **United States Design Patent**  
**Cummings**

(10) **Patent No.:** **US D738,436 S**

(45) **Date of Patent:** **\*\* Sep. 8, 2015**

(54) **COLLAPSIBLE WAGON**

(71) Applicant: **Ronald D. Cummings**, Tustin, CA (US)

(72) Inventor: **Ronald D. Cummings**, Tustin, CA (US)

(\*\*) Term: **14 Years**

(21) Appl. No.: **29/501,785**

(22) Filed: **Sep. 9, 2014**

(51) **LOC (10) Cl.** ..... **21-01**

(52) **U.S. Cl.**  
USPC ..... **D21/425**

(58) **Field of Classification Search**  
USPC ..... D21/419, 424–246, 534–536; D12/17,  
D12/19, 20, 102, 105, 129; D34/12;  
280/87.01, 87.021, 87.043, 47.17,  
280/47.25, 47.34, 47.38, 47.4, 204, 639,  
280/651

CPC ..... B62B 3/00; B62B 3/02; B62B 3/007;  
B62B 5/08; B62B 5/082; B60P 3/00; B60P  
3/34; B60P 3/42

See application file for complete search history.

(56) **References Cited**

**U.S. PATENT DOCUMENTS**

4,878,682 A \* 11/1989 Lee ..... 280/42  
D389,877 S \* 1/1998 Pasin ..... D21/425  
D478,943 S \* 8/2003 Kuelbs ..... D21/425

7,097,182 B1 \* 8/2006 Liu ..... 280/42  
D573,663 S \* 7/2008 Ogawa ..... D21/425  
8,388,015 B2 \* 3/2013 Chen ..... 280/647  
2003/0025301 A1 \* 2/2003 Banuelos, III ..... 280/651  
2010/0090444 A1 \* 4/2010 Chen et al. .... 280/651  
2015/0035258 A1 \* 2/2015 Chen et al. .... 280/651

\* cited by examiner

*Primary Examiner* — Cynthia M Chin

(74) *Attorney, Agent, or Firm* — Dale J. Ream

(57) **CLAIM**

The ornamental design for collapsible wagon, as shown and described.

**DESCRIPTION**

FIG. 1 is a perspective view of a collapsible wagon showing my new design;

FIG. 2 is a front view thereof;

FIG. 3 is a back view thereof;

FIG. 4 is a right side view thereof;

FIG. 5 is a left side view thereof;

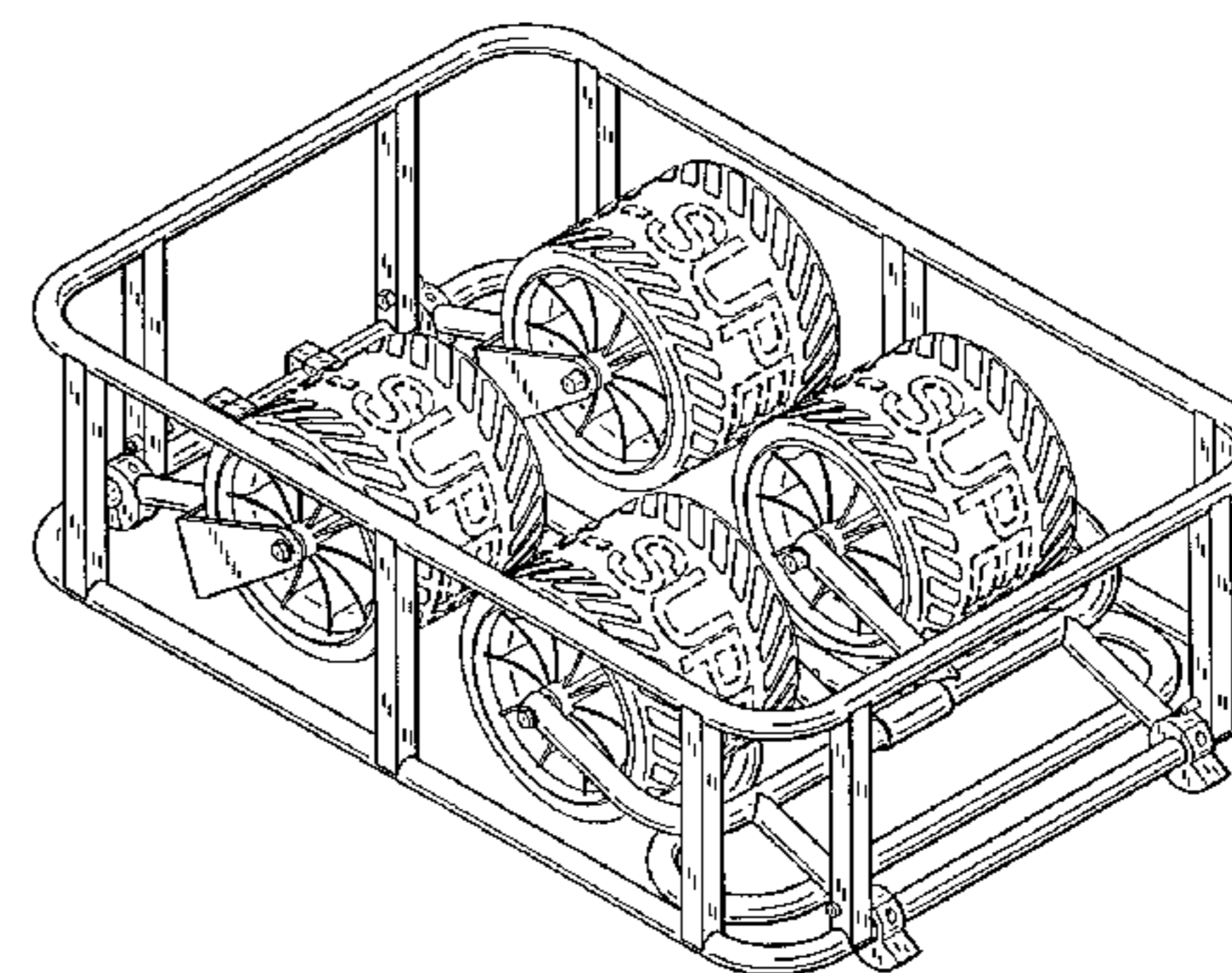
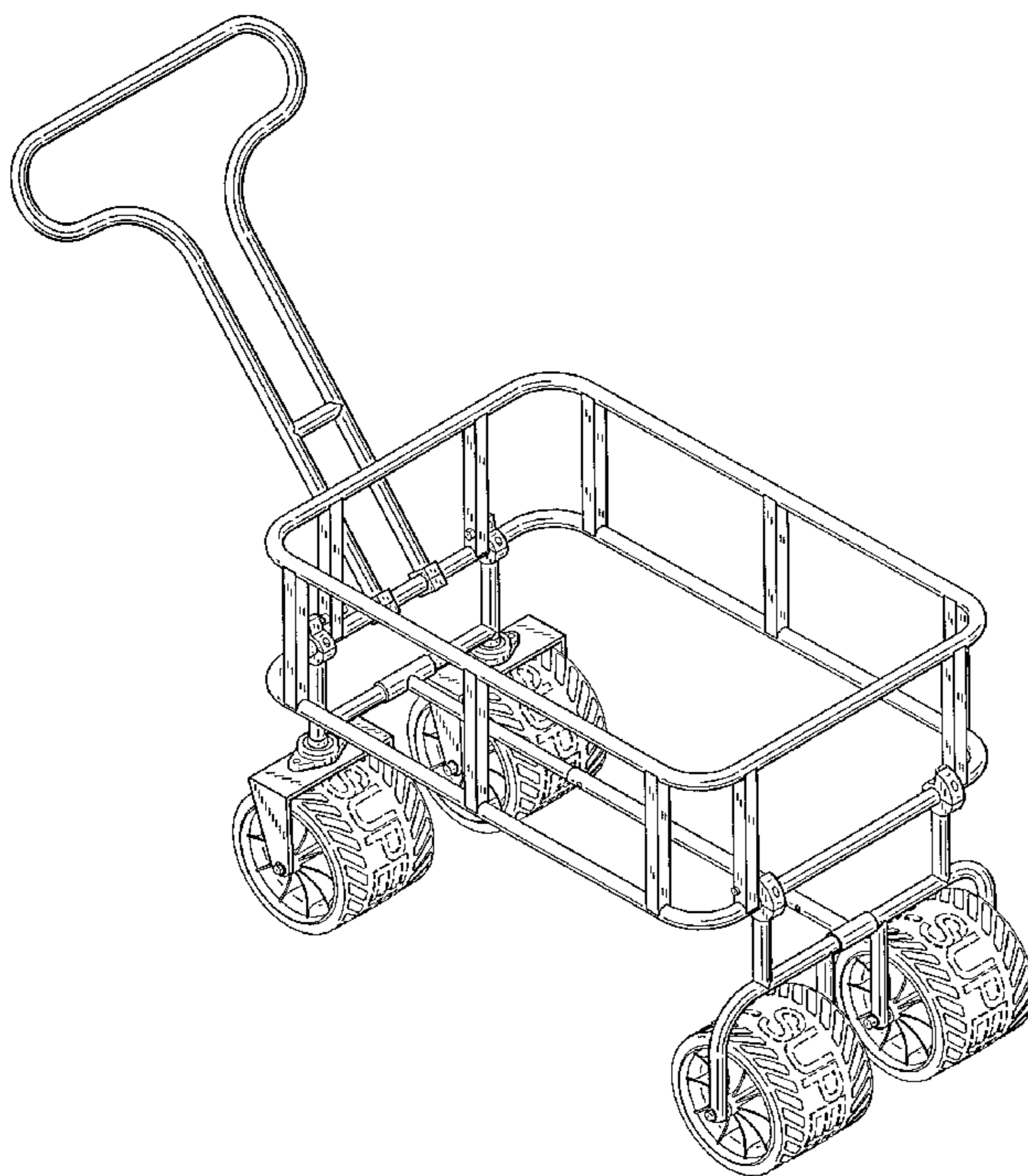
FIG. 6 is a top view thereof;

FIG. 7 is a bottom view thereof; and,

FIG. 8 is a perspective view of a collapsible wagon as in FIG. 1, in a collapsed configuration.

In the drawings, the broken lines represent unclaimed environment subject matter and form no part of the claimed design.

**1 Claim, 6 Drawing Sheets**



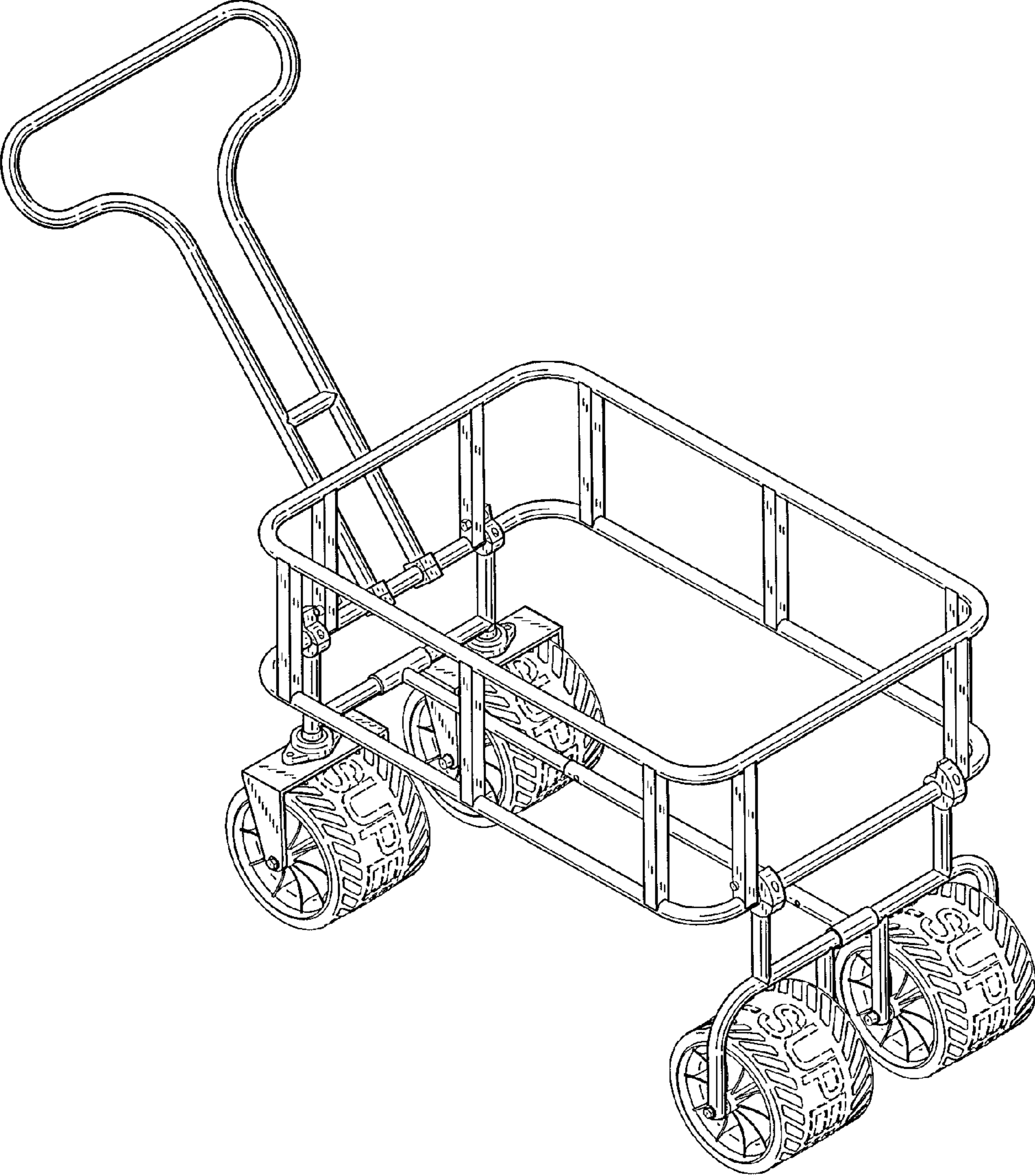


FIG. 1

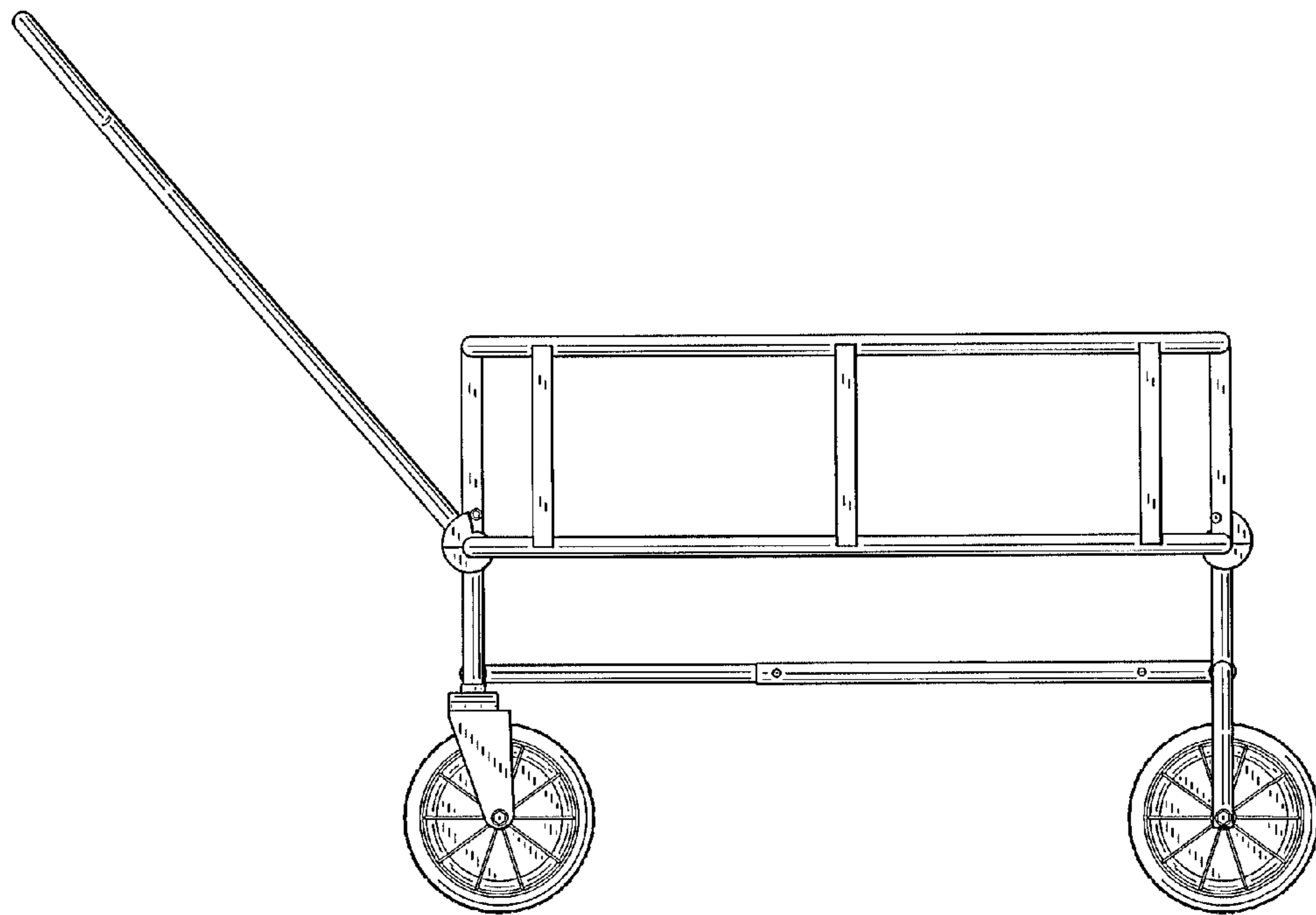


FIG. 2

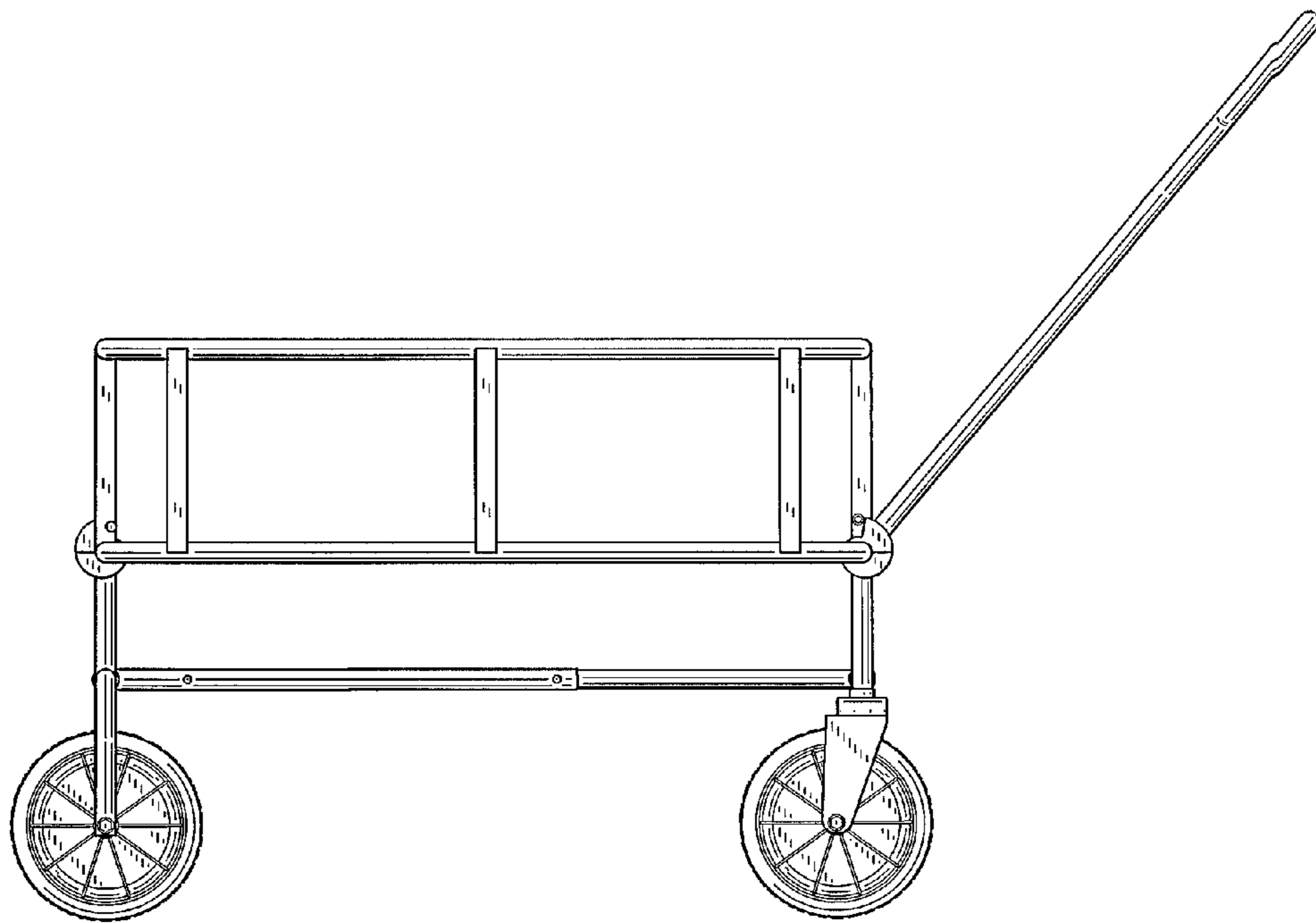


FIG. 3



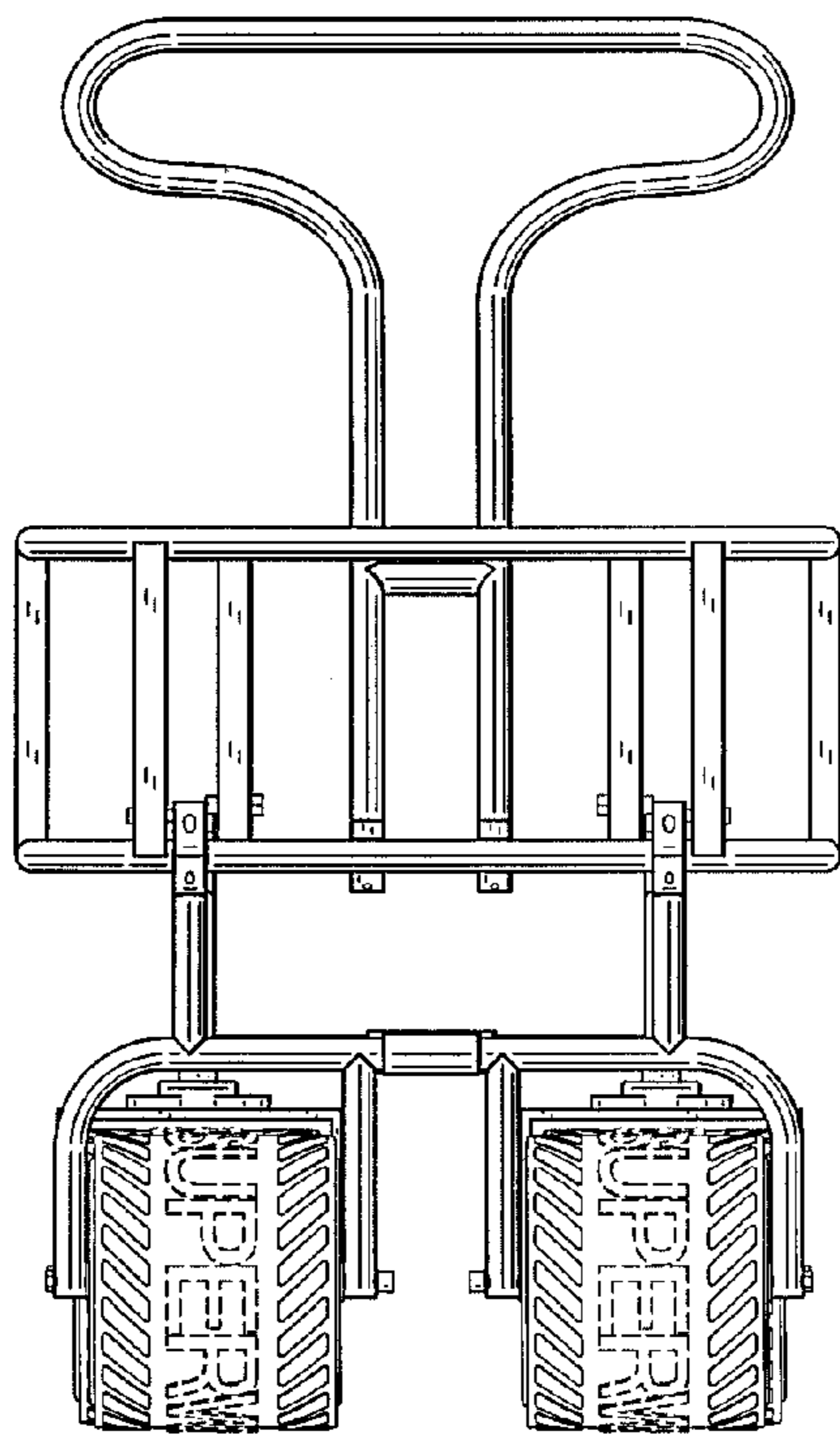


FIG. 4

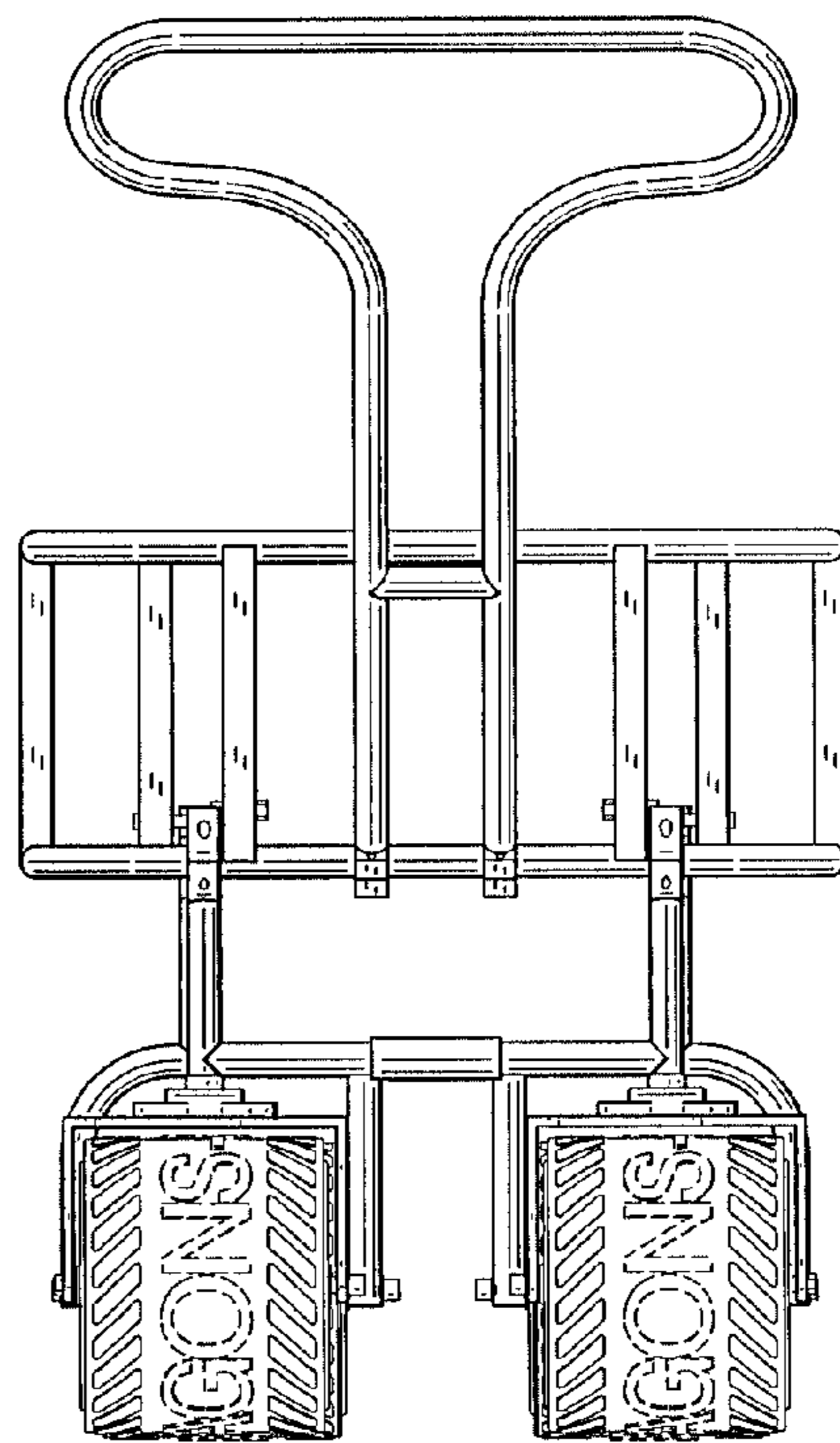


FIG. 5

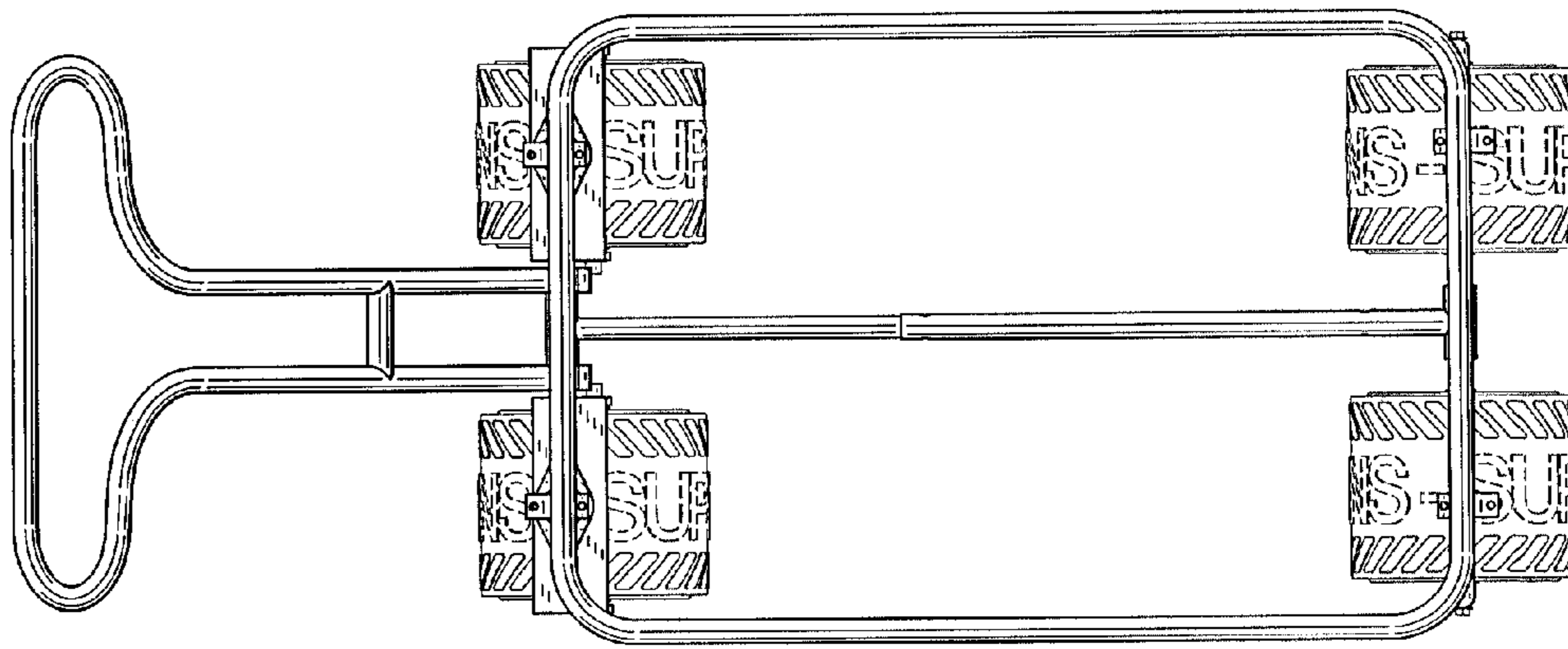


FIG. 6

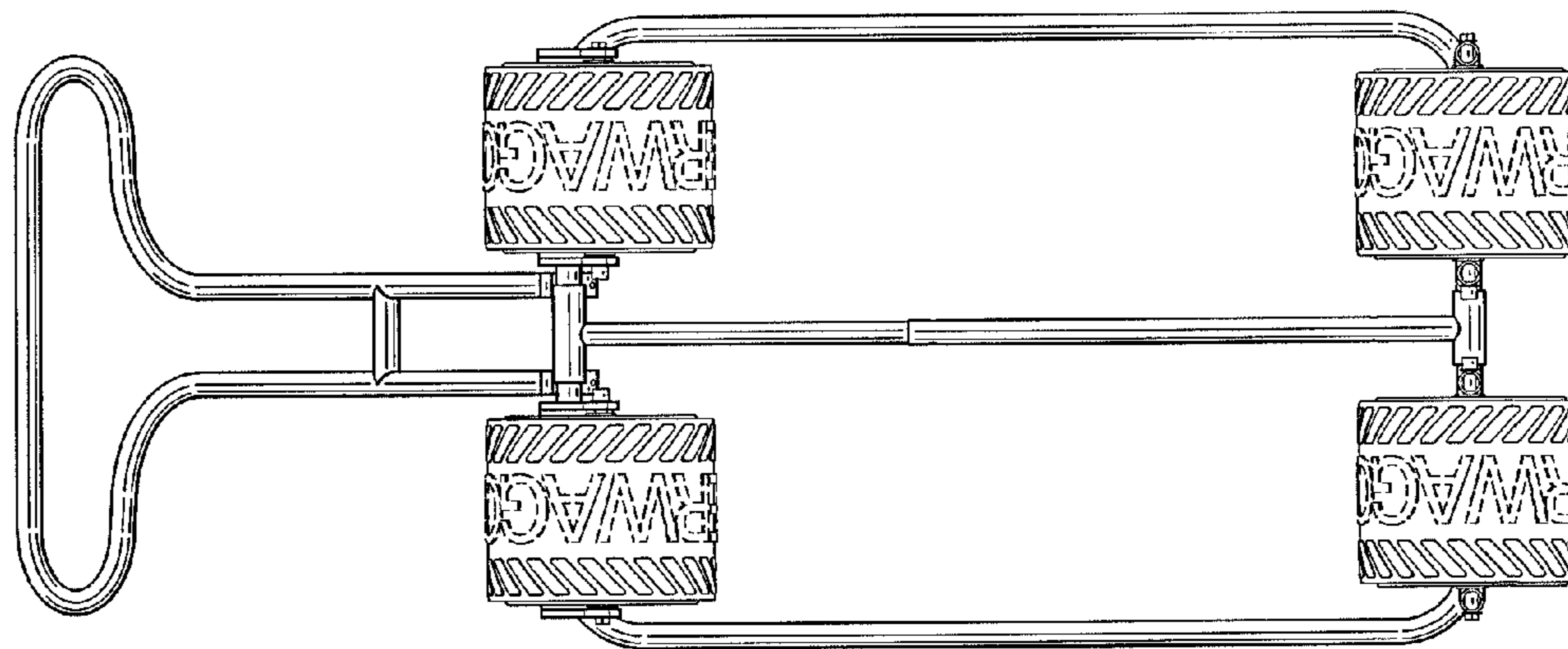


FIG. 7

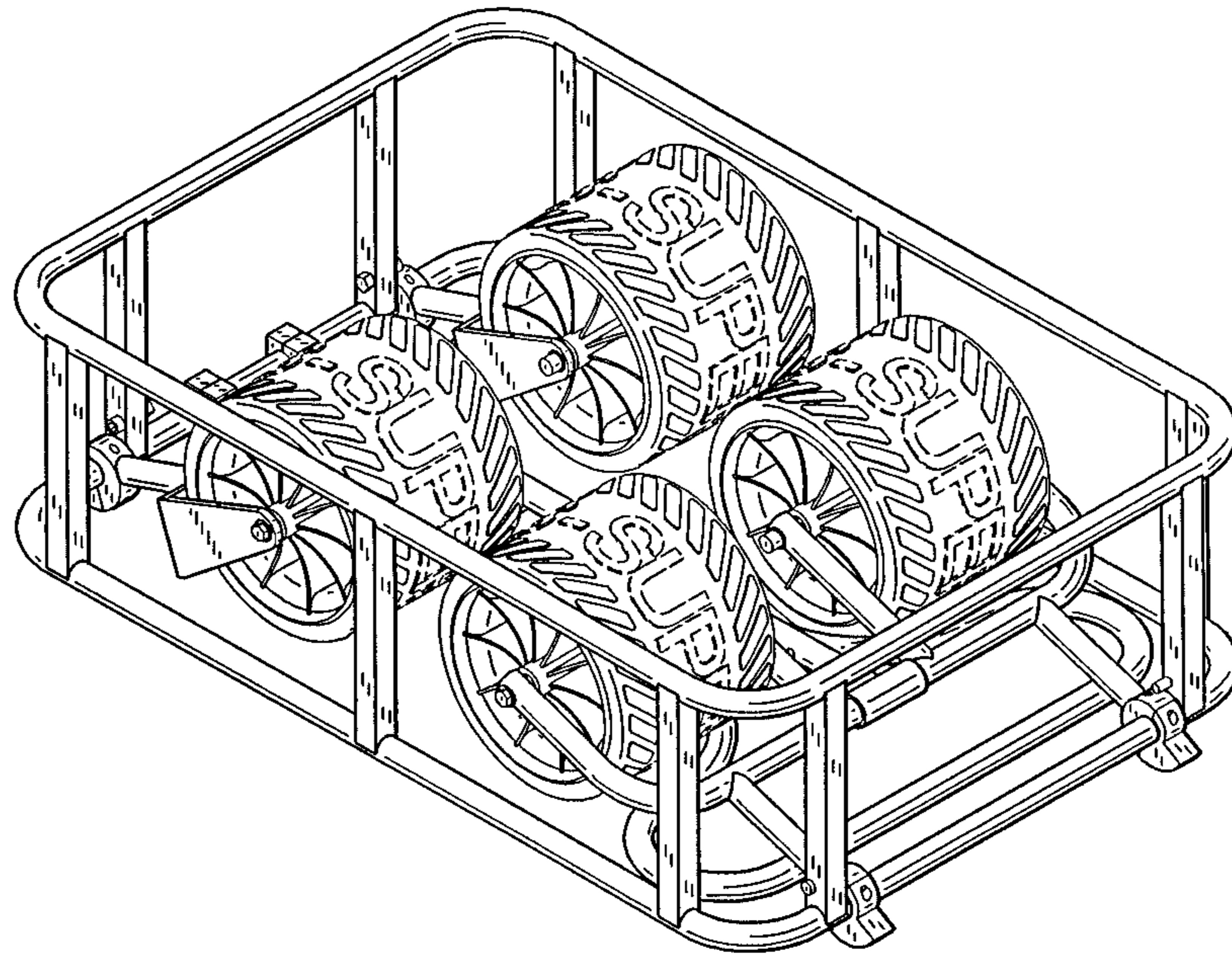


FIG. 8