



US00D738434S

(12) **United States Design Patent**
Baumann et al.

(10) **Patent No.:** **US D738,434 S**

(45) **Date of Patent:** **** Sep. 8, 2015**

- (54) **SUCTION CUP TOY**
- (71) Applicant: **Octoblocs LLC**, Ferndale, WA (US)
- (72) Inventors: **Scott Baumann**, Anacortes, WA (US);
Mark Carson, Elkhorn, NE (US); **Erik Quam**, Omaha, NE (US); **Kevin Mathis**, Elkhorn, NE (US)
- (73) Assignee: **Octoblocs LLC**, Ferndale, WA (US)
- (**) Term: **14 Years**
- (21) Appl. No.: **29/491,300**
- (22) Filed: **May 20, 2014**
- (51) **LOC (10) Cl.** **21-01**
- (52) **U.S. Cl.**
USPC **D21/398**; D21/400; D21/407
- (58) **Field of Classification Search**
USPC D21/385, 386, 387, 398, 400, 404, 407,
D21/455, 461, 471, 483, 484, 486, 487, 493,
D21/503, 561, 570, 681, 682, 707, 798;
D8/300, 303, 305, 349, 354, 373, 376,
D8/378, 379, 380, 395, 400, 402, DIG. 7;
D6/524, 549, 553; D32/14, 35, 52;
446/92, 118, 177, 236, 255, 266, 486;
473/572, 596; 273/336, 348.2, DIG. 25;
248/683, 688, 206.2, 206.3, 206.4,
248/205.5-205.8, 363
CPC ... A63B 67/086; A63H 33/103; A63H 33/18;
A63H 37/005; F16B 47/00
See application file for complete search history.

- (56) **References Cited**
U.S. PATENT DOCUMENTS
667,630 A * 2/1901 Kratz-Boussac 473/572
745,404 A 12/1903 Tower
998,718 A * 7/1911 Schultze 279/3
1,065,307 A 6/1913 Evertts

1,193,991 A	8/1916	Cigol	
D75,220 S	5/1928	Dahlstrom	
2,074,519 A	3/1937	Shephard	
2,187,493 A	1/1940	Taylor	
2,187,524 A	1/1940	Price	
D119,035 S	2/1940	Lindgren	
D120,840 S	5/1940	Singer	
D122,424 S	9/1940	Singer	
2,219,130 A *	10/1940	Herrmann	446/177
D125,096 S	2/1941	Singer	
D126,841 S	4/1941	Singer	
2,377,498 A *	6/1945	Jacke	473/569
2,385,977 A	10/1945	Farmer	
2,568,266 A *	9/1951	Arnold	248/205.6
2,720,188 A *	10/1955	Hofrichter	119/537
2,812,614 A *	11/1957	Ladyman	248/188.9
2,846,809 A *	8/1958	Majewski	446/92
3,008,719 A	11/1961	Misko	
3,104,877 A	9/1963	Gross	
3,143,265 A	8/1964	Ruderian	
D200,541 S *	3/1965	Sartel	D21/400

(Continued)

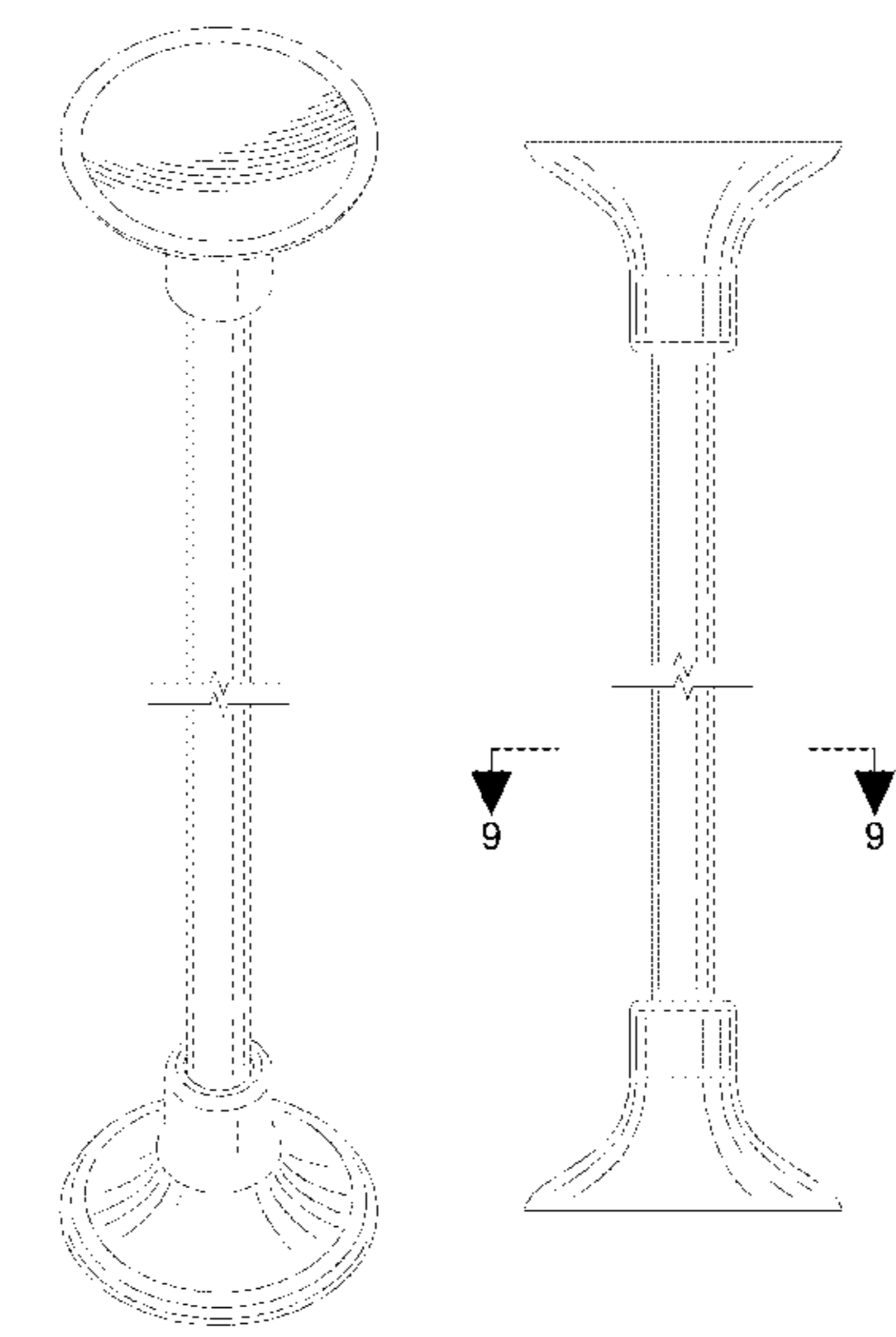
Primary Examiner — Catherine Tuttle
(74) *Attorney, Agent, or Firm* — Michael R. Schacht;
Schacht Law Office, Inc.

(57) **CLAIM**
The ornamental design for a suction cup toy, as shown and described.

DESCRIPTION

FIG. 1 is a top perspective view of a suction cup toy showing my new design;
FIG. 2 is a bottom perspective view thereof;
FIG. 3 is a front view thereof;
FIG. 4 is a right side view thereof;
FIG. 5 is a left side view thereof;
FIG. 6 is a back view thereof;
FIG. 7 is a top view thereof;
FIG. 8 is a bottom view thereof; and,
FIG. 9 is cross-sectional view taken along line 9-9 of FIG. 3.

1 Claim, 2 Drawing Sheets



(56)

References Cited

U.S. PATENT DOCUMENTS

3,655,193	A	4/1972	Jones	7,198,536	B2	4/2007	Nuccio et al.
3,939,581	A	2/1976	Clarke, Jr.	7,207,294	B2	4/2007	Stasio
3,942,790	A *	3/1976	Rice 482/91	D565,251	S *	3/2008	McLean D30/119
4,030,761	A	6/1977	Daller	7,448,967	B1	11/2008	Panneri et al.
4,291,490	A	9/1981	Ikeda	D589,327	S	3/2009	Carnevali
4,339,138	A	7/1982	Di Manno	D612,521	S	3/2010	Liu et al.
D275,410	S	9/1984	Panicci	7,806,746	B2	10/2010	Walterscheid
D276,450	S	11/1984	Panicci	D633,902	S	3/2011	Tokuno
D277,018	S	1/1985	Paczko	D641,433	S	7/2011	Walterscheid
4,824,302	A *	4/1989	Schultheis et al. 410/151	D648,034	S	11/2011	Rice
4,881,741	A *	11/1989	Shapiro 473/514	8,047,936	B2	11/2011	Dufflon et al.
4,892,500	A	1/1990	Lau	D661,031	S	5/2012	Christianson
4,943,018	A *	7/1990	Glaser et al. 248/110	D664,472	S	7/2012	Walterscheid
D319,854	S	9/1991	Geary	D681,420	S	5/2013	Ileuov et al.
5,045,011	A	9/1991	Lovik	D685,146	S	6/2013	Stiles
5,125,656	A	6/1992	Fabanich	D696,673	S	12/2013	Vogel
5,199,716	A	4/1993	Defluiter et al.	D709,562	S *	7/2014	Baumann et al. D21/398
5,397,124	A	3/1995	Nevel	D712,235	S *	9/2014	Hoover et al. D8/349
5,478,312	A *	12/1995	Weissbuch 482/111	D718,389	S *	11/2014	Pillot et al. D21/302
5,580,336	A	12/1996	Coallier	2001/0029904	A1	10/2001	Viola
5,603,503	A	2/1997	Lapidus	2003/0183593	A1 *	10/2003	Samelson 211/105.3
6,112,703	A	9/2000	Handelsman	2004/0018798	A1	1/2004	Chuang
D439,378	S	3/2001	Loomis	2005/0218278	A1 *	10/2005	Hsu 248/205.5
D441,506	S	5/2001	Flynn	2006/0030234	A1	2/2006	Stiber et al.
D441,925	S	5/2001	Flynn	2009/0256037	A1	10/2009	Singh
D444,976	S	7/2001	Hundley	2010/0041300	A1	2/2010	Bevirt
D470,277	S	2/2003	Tu	2012/0094571	A1	4/2012	Kovens
6,793,636	B1	9/2004	Pepera	2012/0108138	A1	5/2012	Walterscheid
D519,588	S	4/2006	Carbonero	2012/0125267	A1	5/2012	Kelly
7,022,036	B2	4/2006	Dufflon et al.	2012/0292466	A1	11/2012	Song
D532,113	S	11/2006	Huang	2012/0309259	A1	12/2012	Mak
				2013/0075563	A1	3/2013	Tsai et al.
				2013/0112824	A1	5/2013	Chen et al.

* cited by examiner

FIG. 1

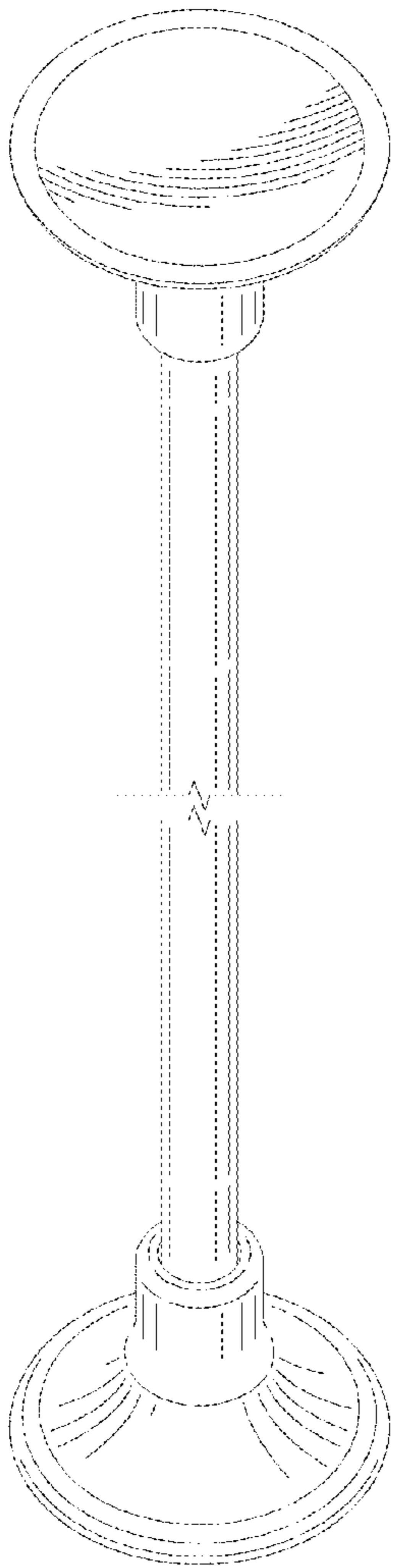


FIG. 2

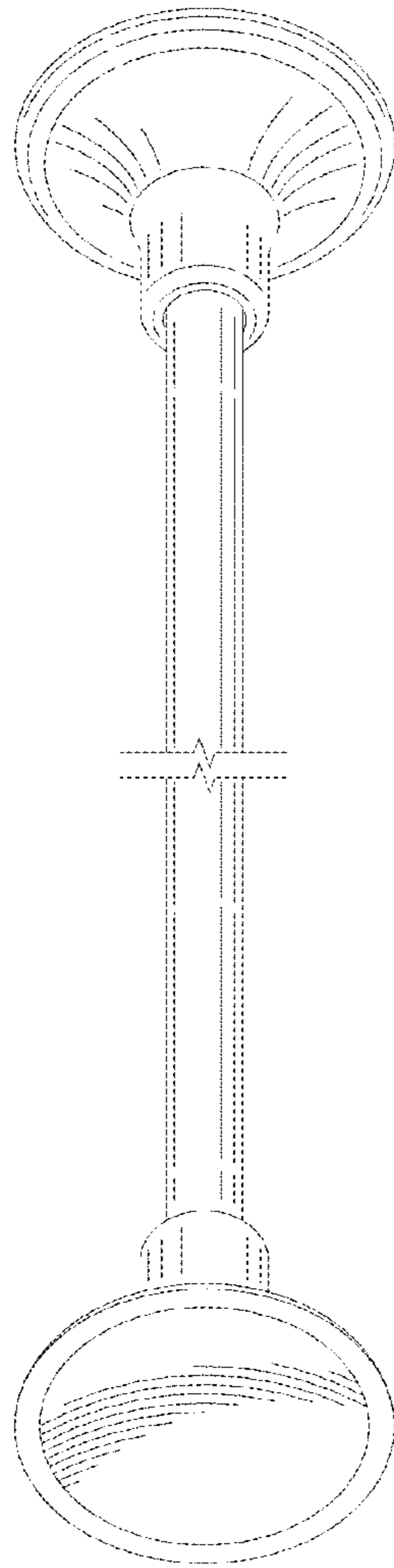


FIG. 3

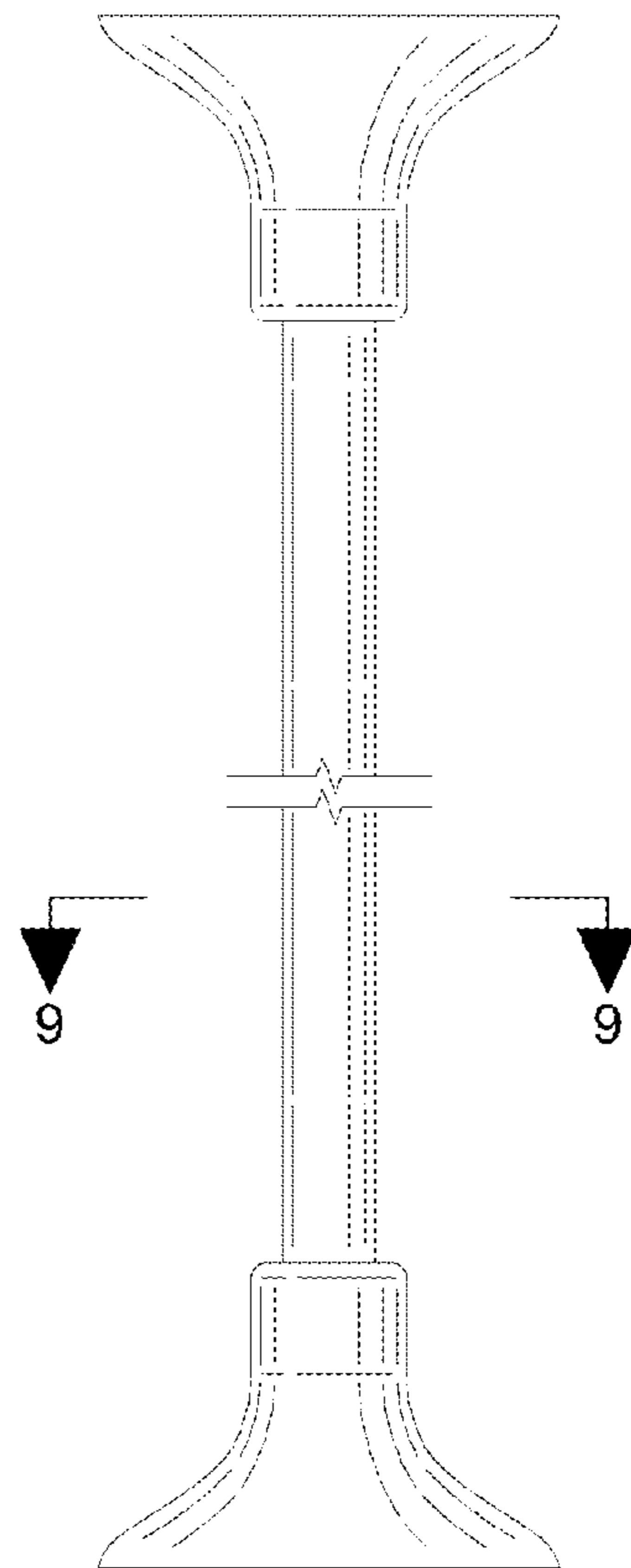


FIG. 4

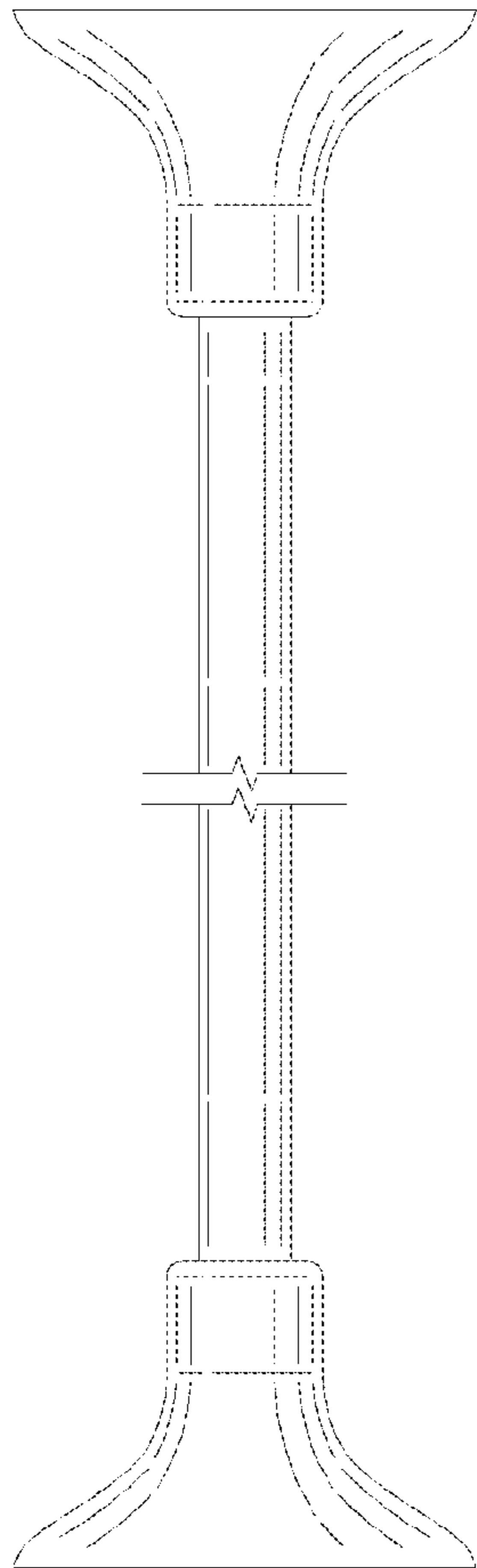


FIG. 5

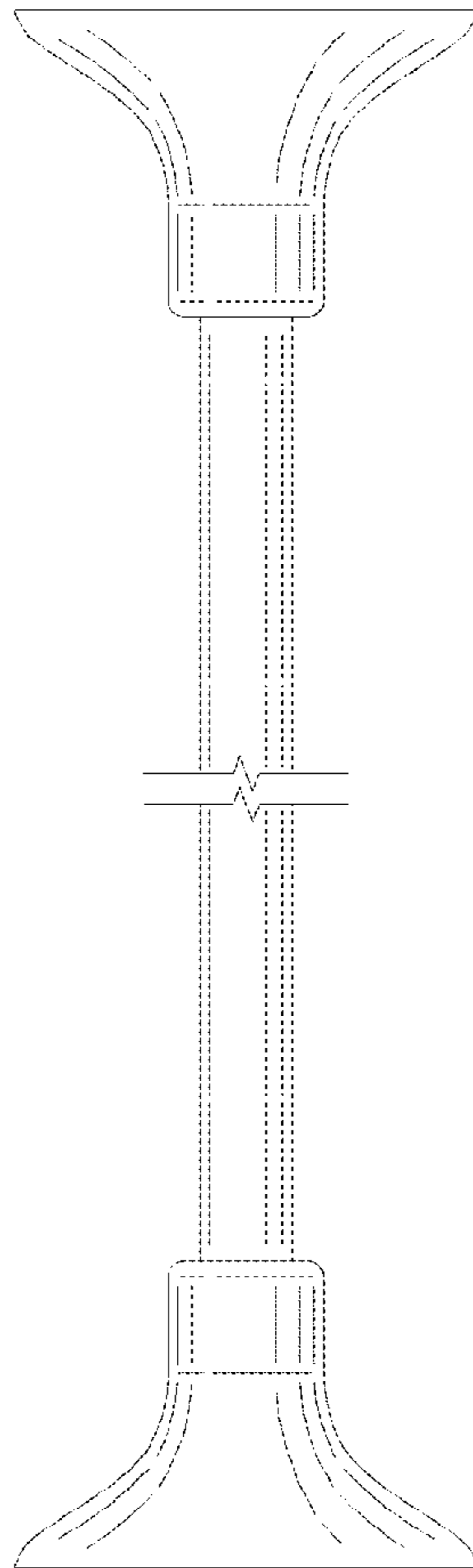


FIG. 6

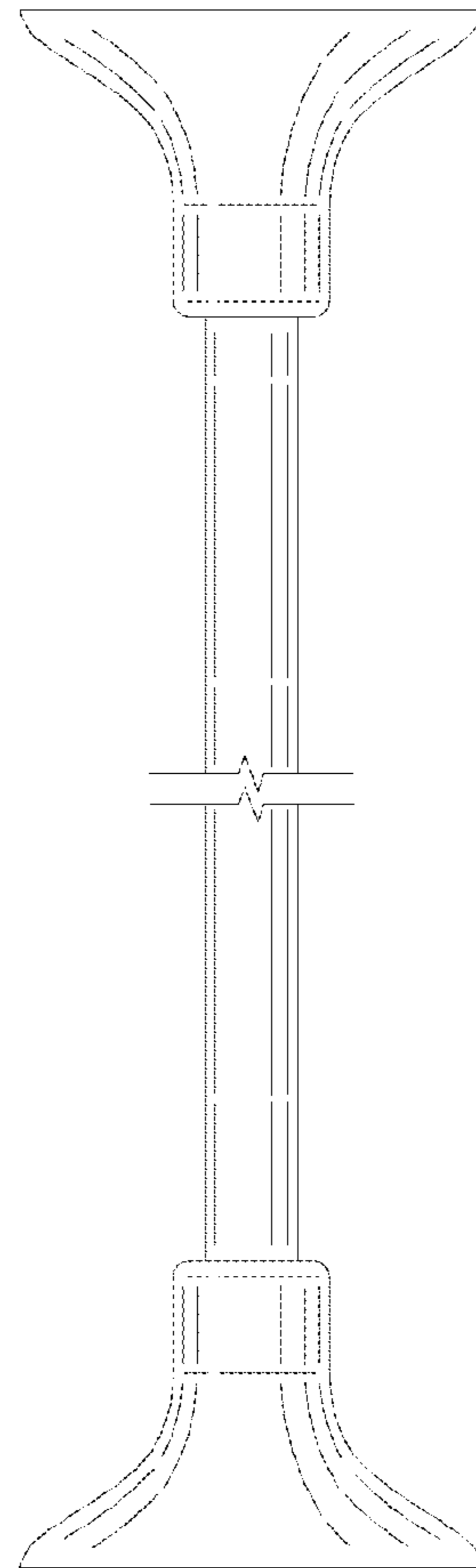


FIG. 7

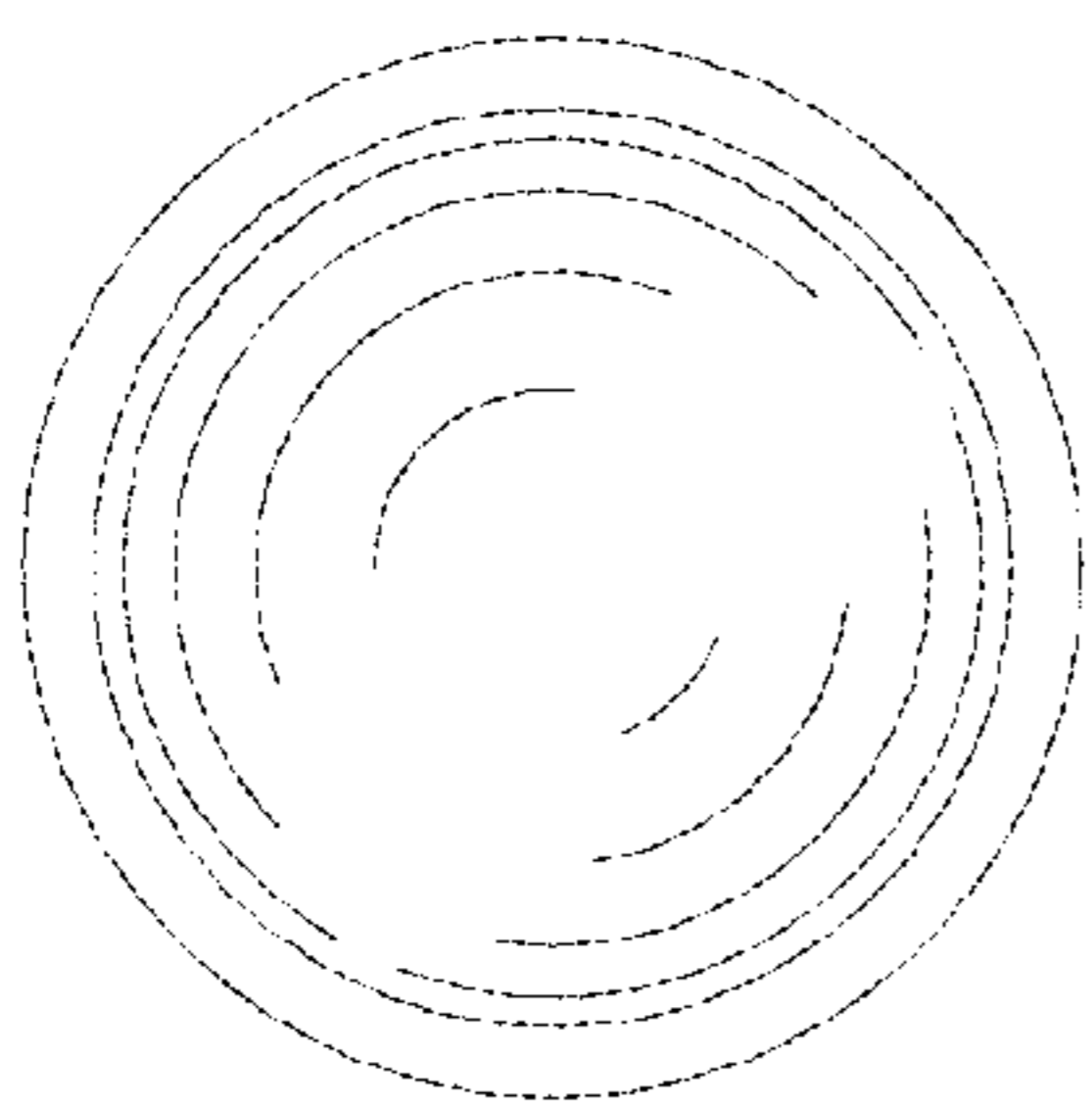


FIG. 8

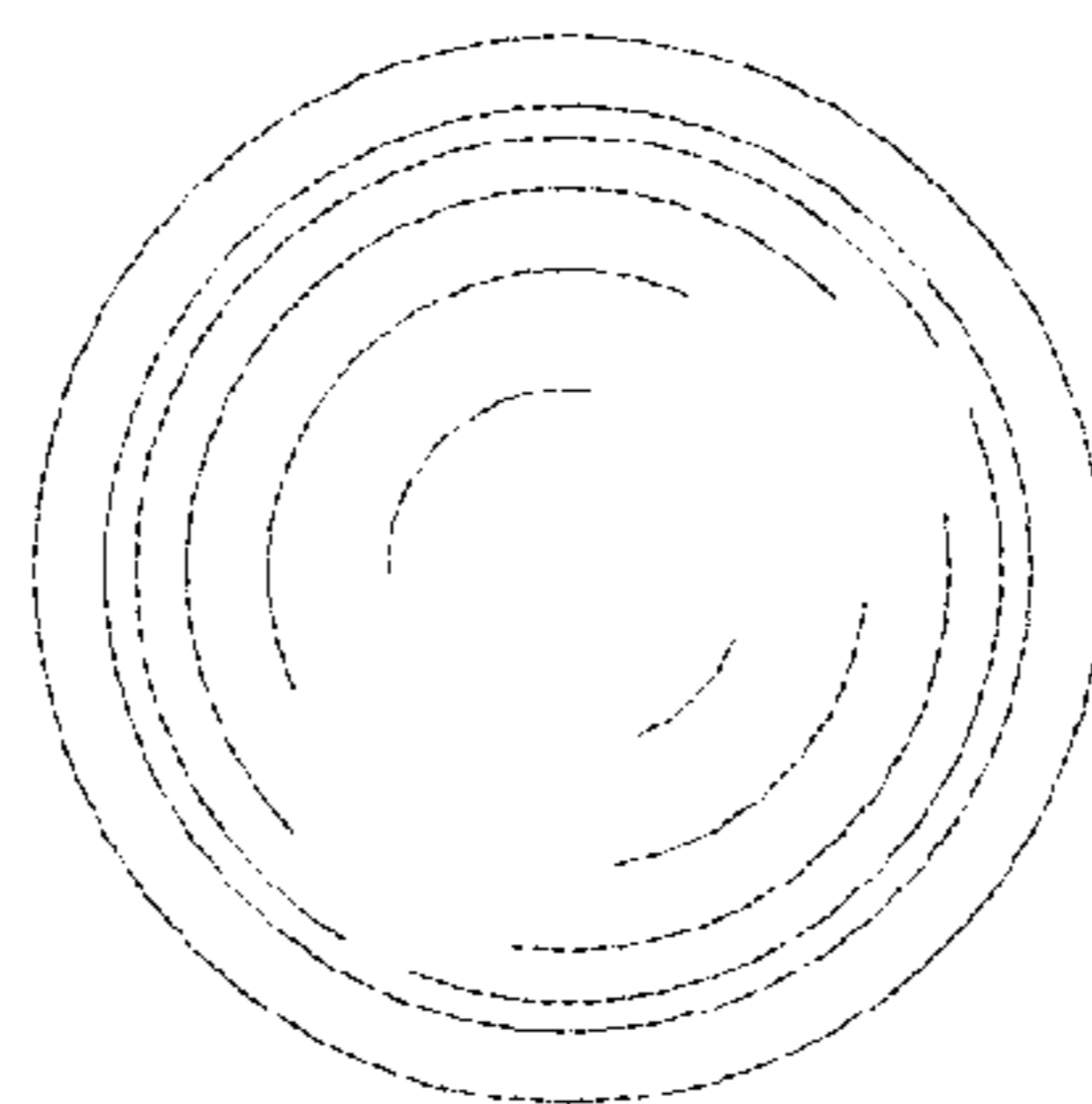


FIG. 9

