



US00D738426S

(12) **United States Design Patent**
Frith

(10) **Patent No.:** **US D738,426 S**
(45) **Date of Patent:** **** Sep. 8, 2015**

- (54) **ACCESSORY CHARM MOUNT**
- (71) Applicant: **Grace L. Frith**, Boynton Beach, FL
(US)
- (72) Inventor: **Grace L. Frith**, Boynton Beach, FL
(US)
- (**) Term: **14 Years**
- (21) Appl. No.: **29/468,757**
- (22) Filed: **Oct. 2, 2013**
- (51) **LOC (10) Cl.** **16-06**
- (52) **U.S. Cl.**
USPC **D16/341**
- (58) **Field of Classification Search**
USPC D16/101, 300–342, 900; D29/109–110;
351/41, 44, 51–52, 62, 158, 92,
351/103–123, 140–153, 63, 59, 45–48;
2/426–432, 447–449, 441, 434–437,
2/13, 15; D21/483, 659–661; D14/372
CPC G02C 2200/08; G02C 1/06; G02C 5/14;
G02C 5/16; G02C 11/02; G02C 11/04;
A61M 2021/0044
See application file for complete search history.

6,520,635	B1 *	2/2003	Ignatowski	351/52
7,524,052	B2 *	4/2009	Esses	351/52
7,591,554	B2 *	9/2009	Guerrero	351/52
D621,375	S *	8/2010	Nagase	D14/126
D677,317	S *	3/2013	Hillegass	D16/341
8,549,879	B2 *	10/2013	Mellinger et al.	351/51
D707,194	S *	6/2014	Shen et al.	D14/126
8,857,979	B1 *	10/2014	Rothman	351/52
2008/0273162	A1 *	11/2008	Porter	351/52

* cited by examiner

Primary Examiner — Raphael Barkai
(74) *Attorney, Agent, or Firm* — QuickPatents; Kevin Prince

(57) **CLAIM**
I claim the ornamental design for an accessory charm mount,
as shown and described.

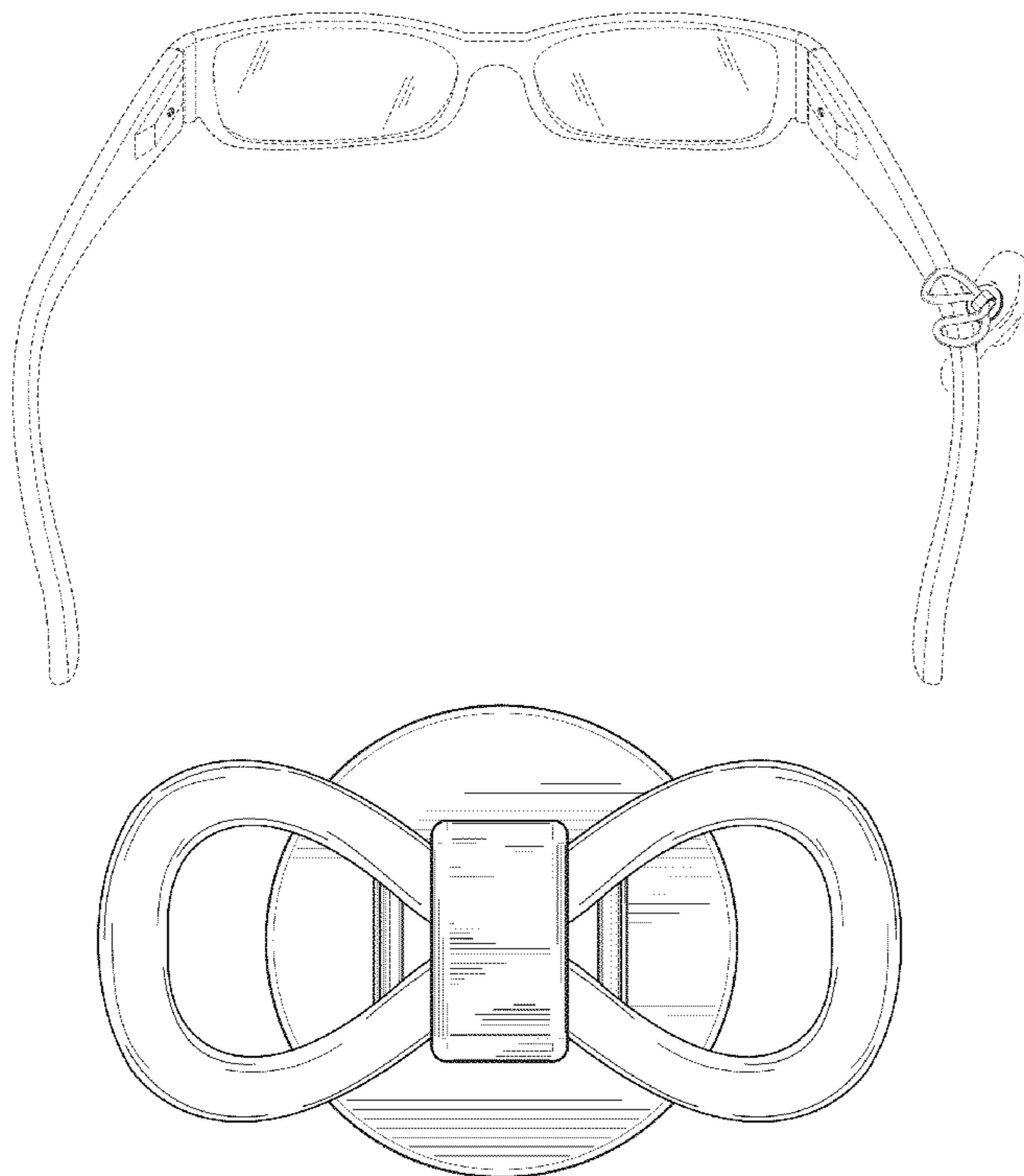
DESCRIPTION

FIG. 1 is a rear perspective view of an accessory charm mount, showing my new design;
 FIG. 2 is an enlarged perspective view thereof;
 FIG. 3 is a front elevational view of FIG. 2;
 FIG. 4 is a rear elevational view of FIG. 2;
 FIG. 5 is a right-side elevational view of FIG. 2, the left-side elevational view being a mirror image thereof; and,
 FIG. 6 is a top plan view of FIG. 2, the bottom plan view being a mirror image thereof.

The broken lines showing eyeglasses in FIG. 1 and a charm in the figures depict environmental matter and form no part of the claimed design.

- (56) **References Cited**
U.S. PATENT DOCUMENTS
5,654,787 A * 8/1997 Barison 351/52
5,974,632 A * 11/1999 Chang 24/3.3

1 Claim, 3 Drawing Sheets



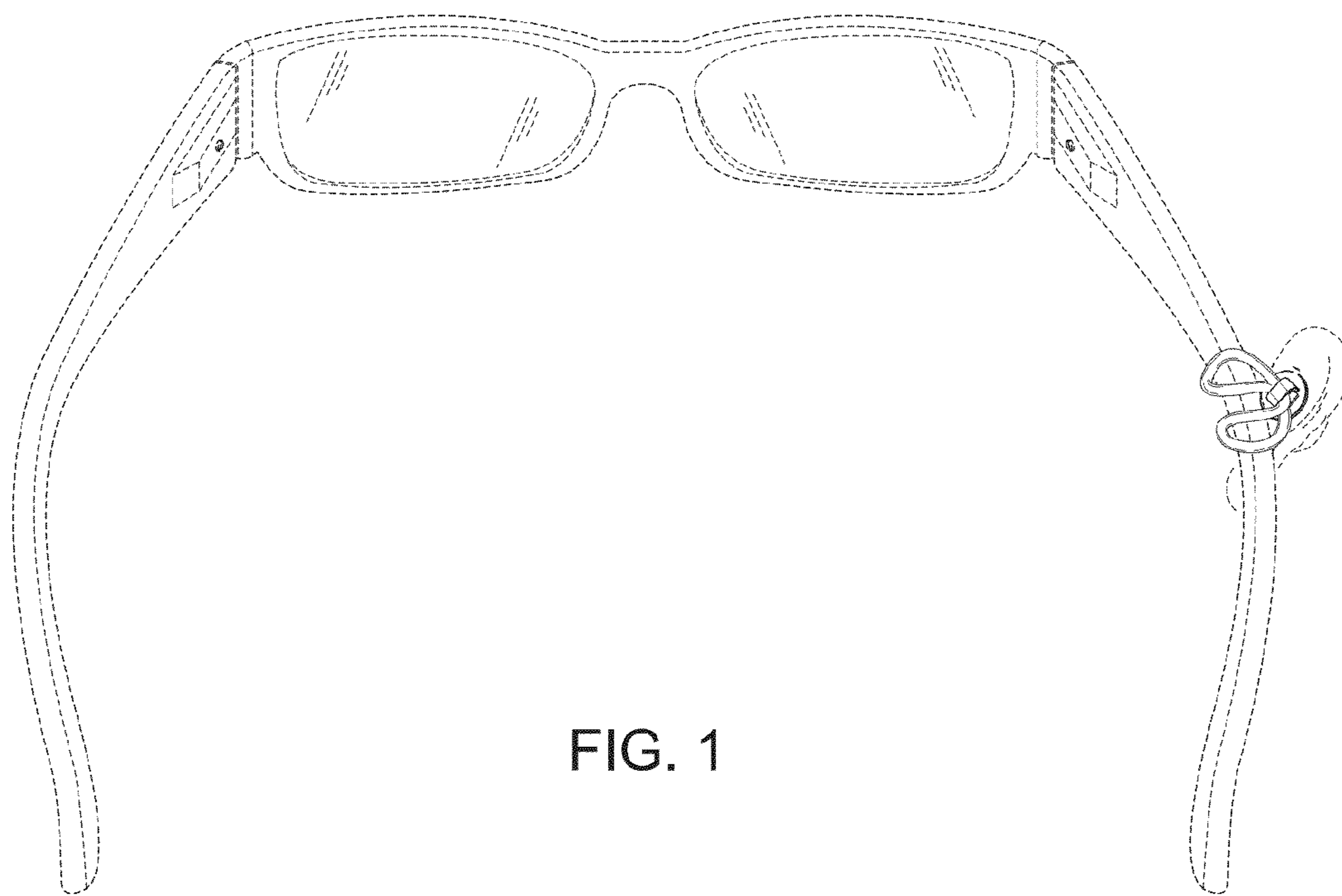


FIG. 1

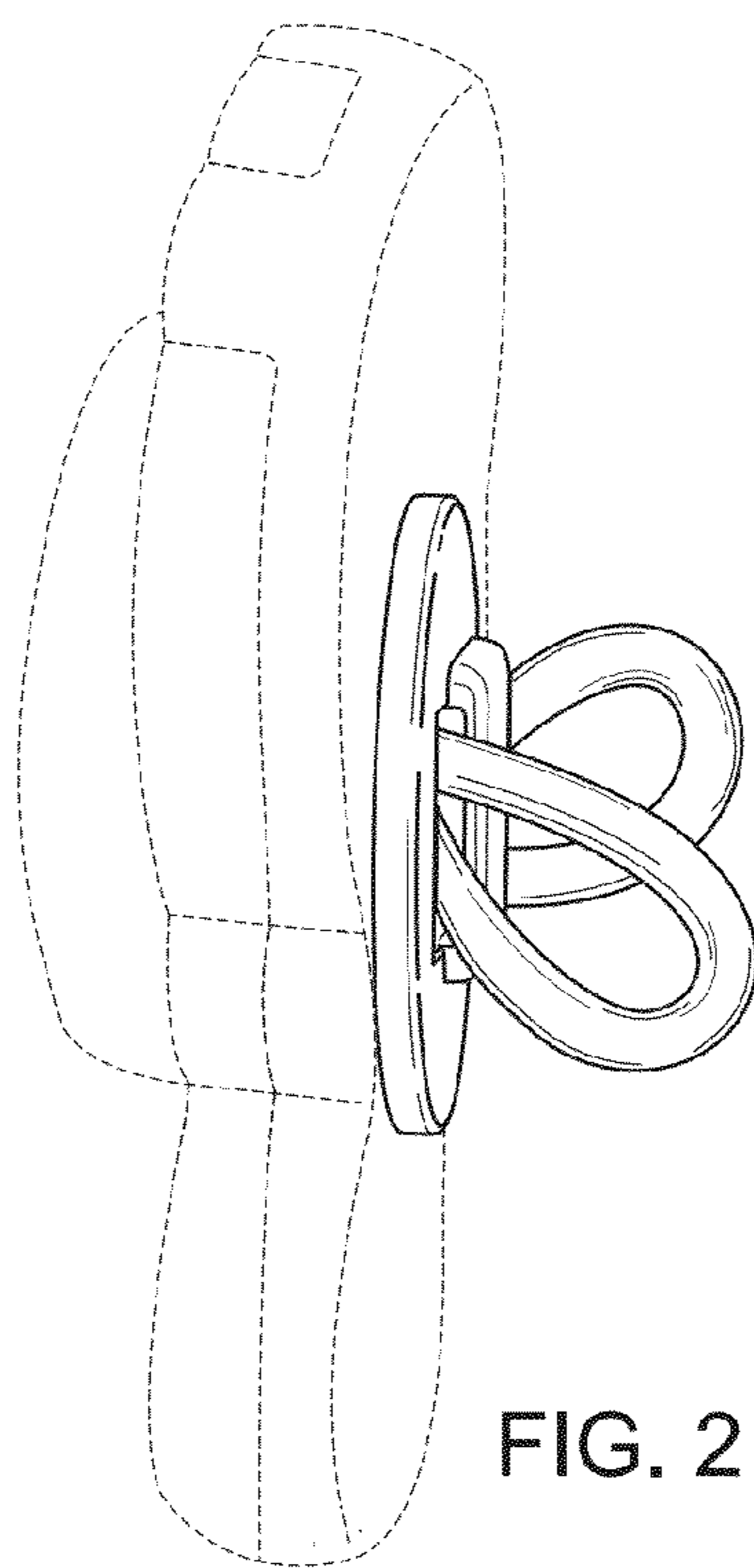


FIG. 2

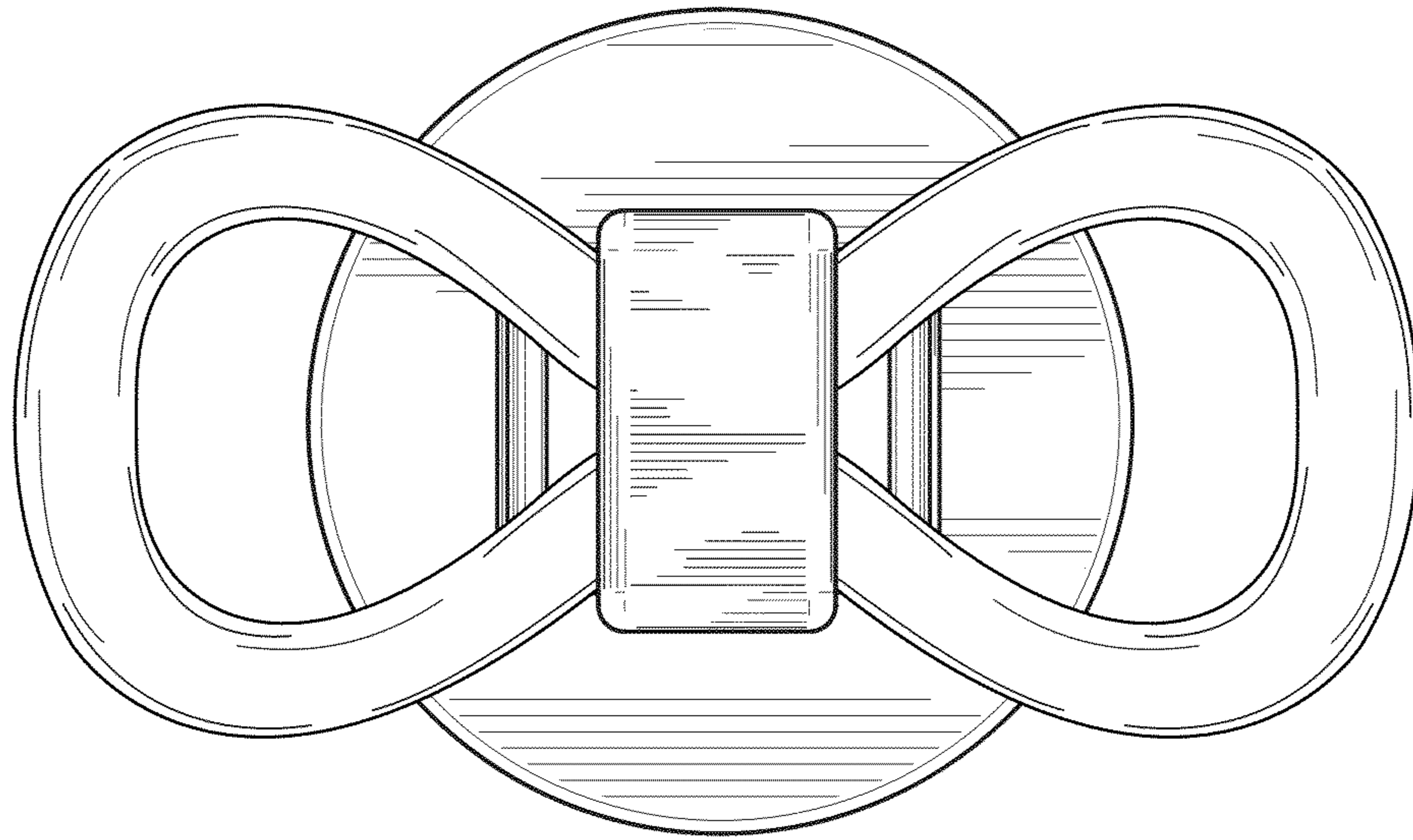


FIG. 3

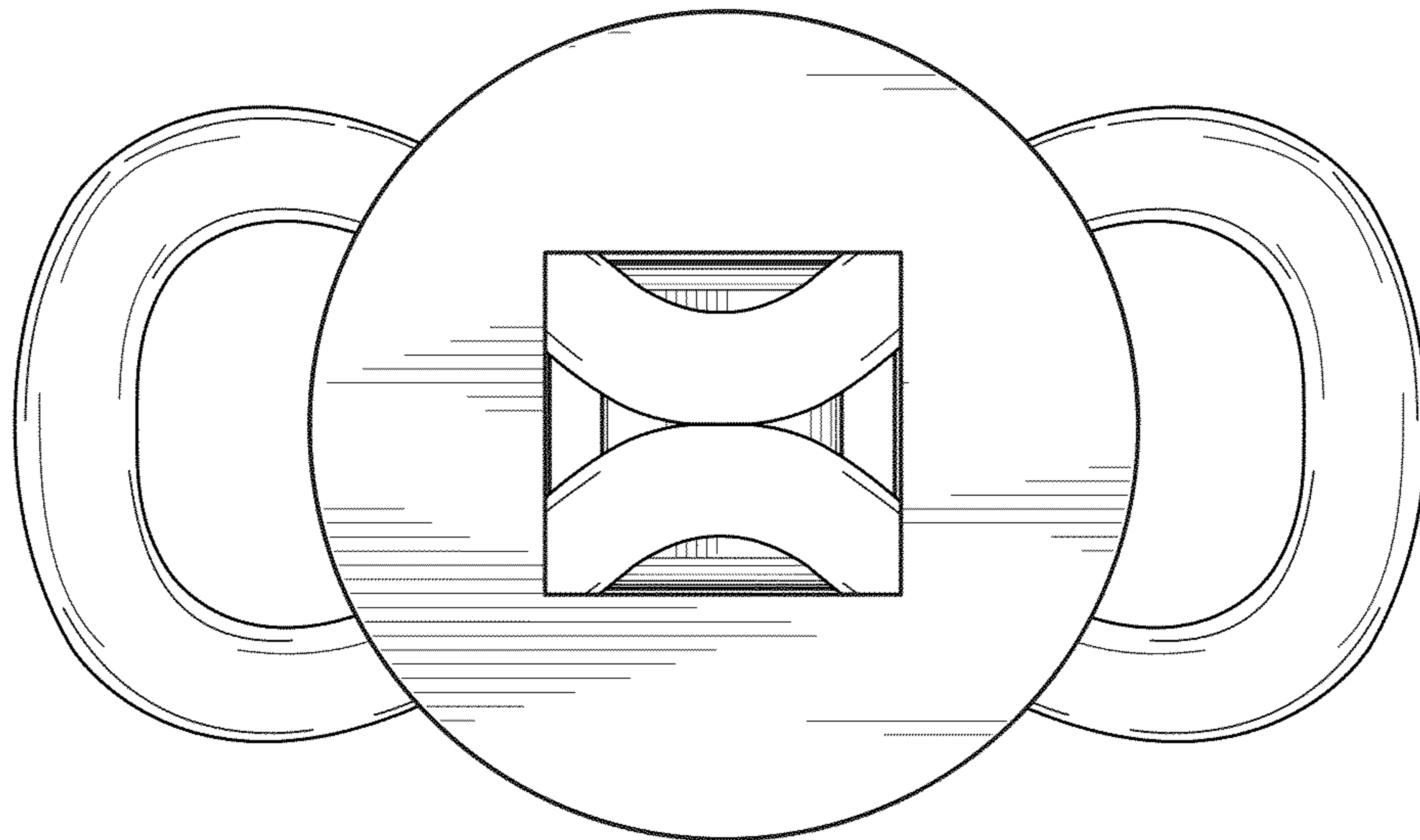


FIG. 4

