



US00D738425S

(12) **United States Design Patent**
Miyata et al.

(10) **Patent No.:** **US D738,425 S**
(45) **Date of Patent:** **** Sep. 8, 2015**

- (54) **LAMP UNIT FOR PROJECTOR**
- (71) Applicant: **SEIKO EPSON CORPORATION**,
Tokyo (JP)
- (72) Inventors: **Takahiro Miyata**, Matsumoto (JP);
Takahiro Suzuki, Matsumoto (JP)
- (73) Assignee: **SEIKO EPSON CORPORATION**,
Tokyo (JP)
- (**) Term: **14 Years**
- (21) Appl. No.: **29/500,599**
- (22) Filed: **Aug. 26, 2014**
- (30) **Foreign Application Priority Data**

Mar. 20, 2014 (JP) 2014-005893

(51) **LOC (10) Cl.** **16-02**

(52) **U.S. Cl.**
USPC **D16/235**

(58) **Field of Classification Search**
USPC D16/221, 225, 235; D26/1, 4; 353/72,
353/85, 97-100, 119, 122; 362/363
CPC G03B 21/28; G03B 21/2066; G03B 21/20;
G03B 21/2093; F21V 29/02; F21V 15/01;
F21V 29/505
See application file for complete search history.

(56) **References Cited**
U.S. PATENT DOCUMENTS

D616,912 S * 6/2010 Sasaki D16/235
D645,892 S * 9/2011 Nishi D16/235

D673,202 S * 12/2012 Takizawa D16/235
D686,271 S * 7/2013 Tanaka D16/235
D689,915 S * 9/2013 Miyata D16/235
D707,282 S * 6/2014 Tanaka D16/235
8,857,998 B2 * 10/2014 Saito et al. 353/61
8,919,964 B2 * 12/2014 Miyata 353/61
9,052,581 B2 * 6/2015 Saito et al. 1/1

FOREIGN PATENT DOCUMENTS

JP 1458257 S 12/2012
JP 1469711 S 5/2013

* cited by examiner

Primary Examiner — Wan Laymon

(57) **CLAIM**
The ornamental design for a lamp unit for projector, as shown and described.

DESCRIPTION

FIG. 1 is a front, top and right side perspective view of a lamp unit for projector showing our new design; FIG. 2 is a rear, bottom and left side perspective view thereof; FIG. 3 is a front view thereof; FIG. 4 is a rear view thereof; FIG. 5 is a top plan view thereof; FIG. 6 is a bottom plan view thereof; FIG. 7 is a right side view thereof; and, FIG. 8 is a left side view thereof. The features shown in broken lines in the drawings depict environmental subject matter only and form no part of the claimed design.

1 Claim, 8 Drawing Sheets

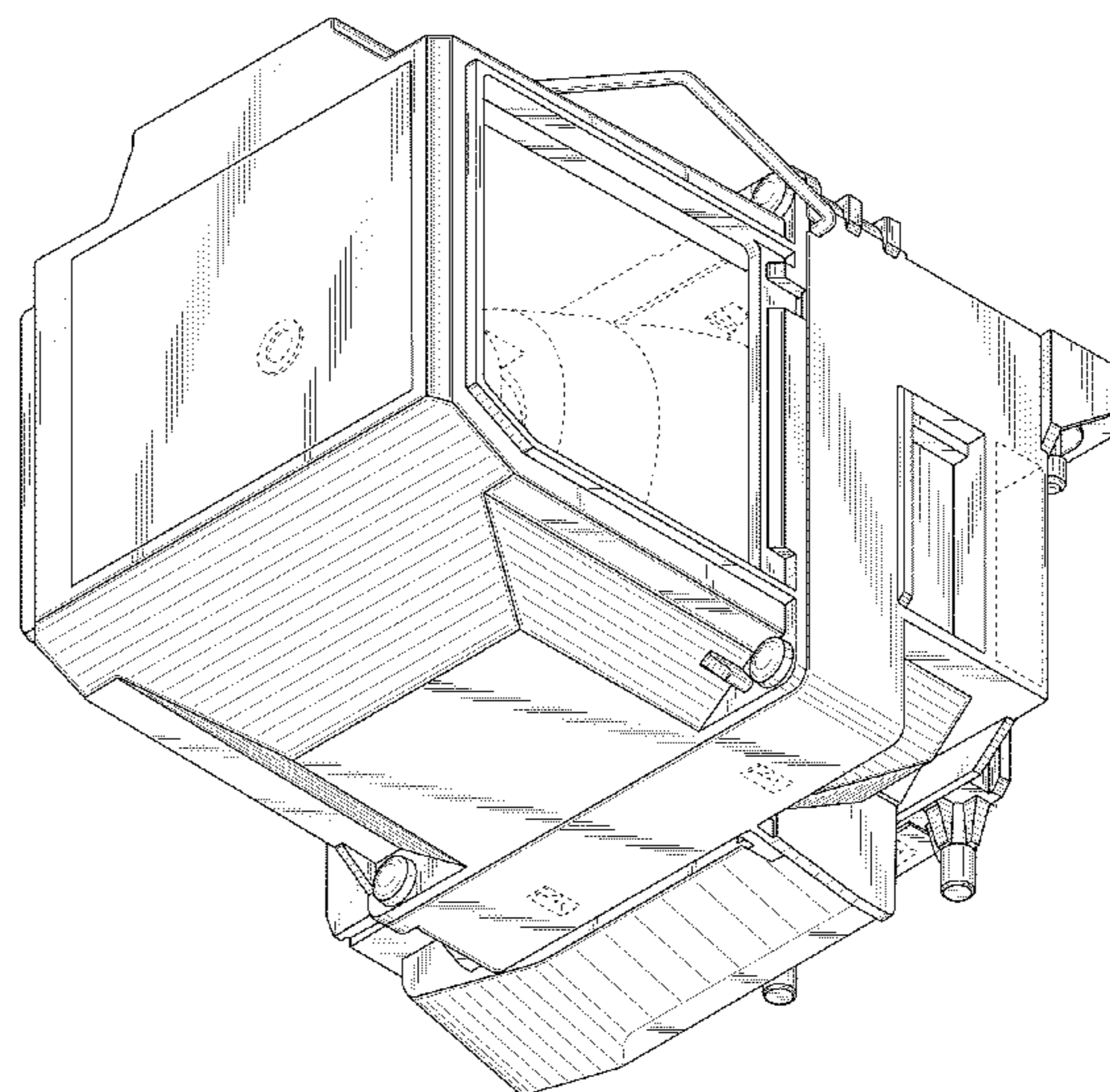
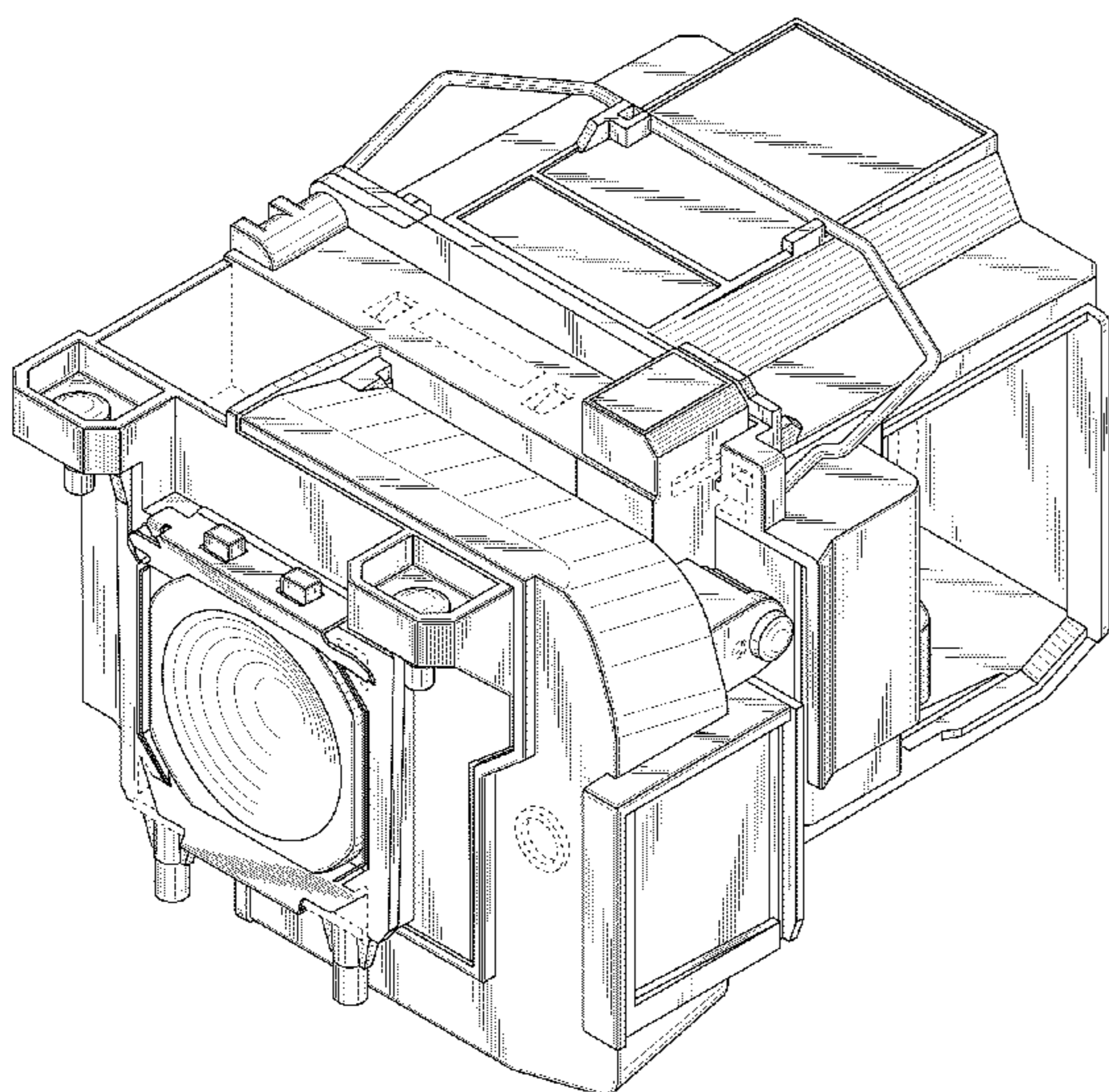


FIG. 1

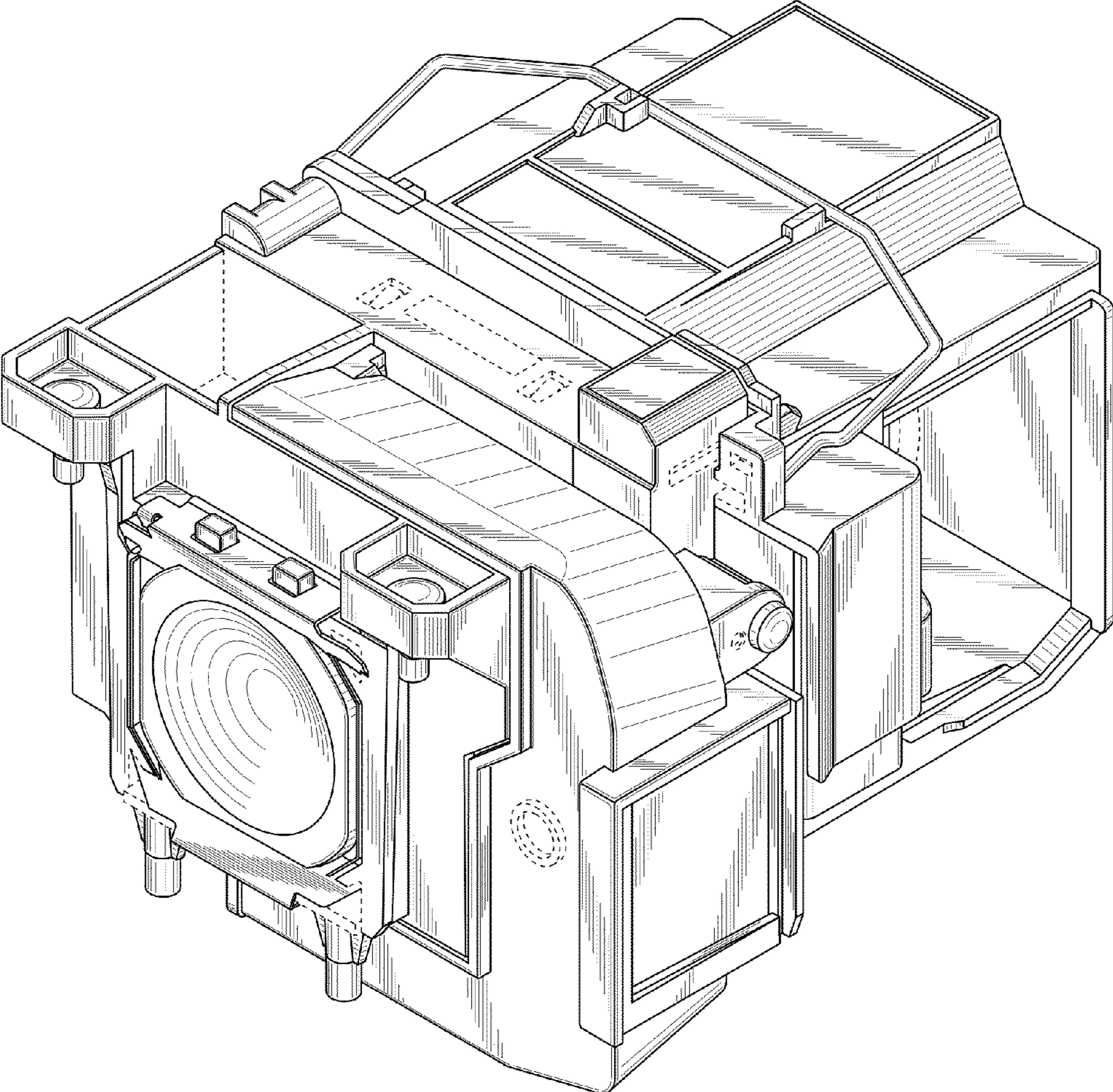


FIG. 2

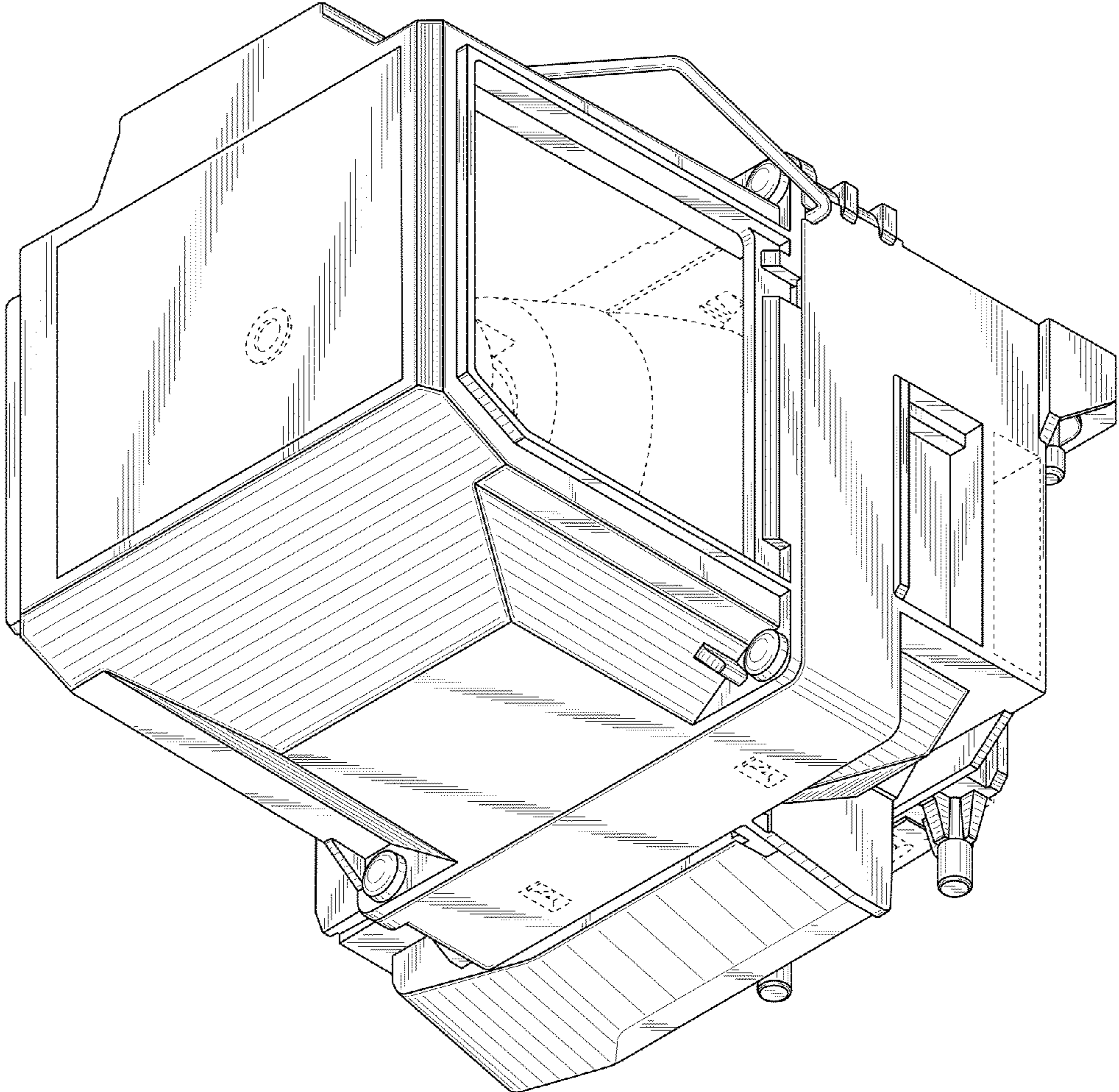


FIG. 3

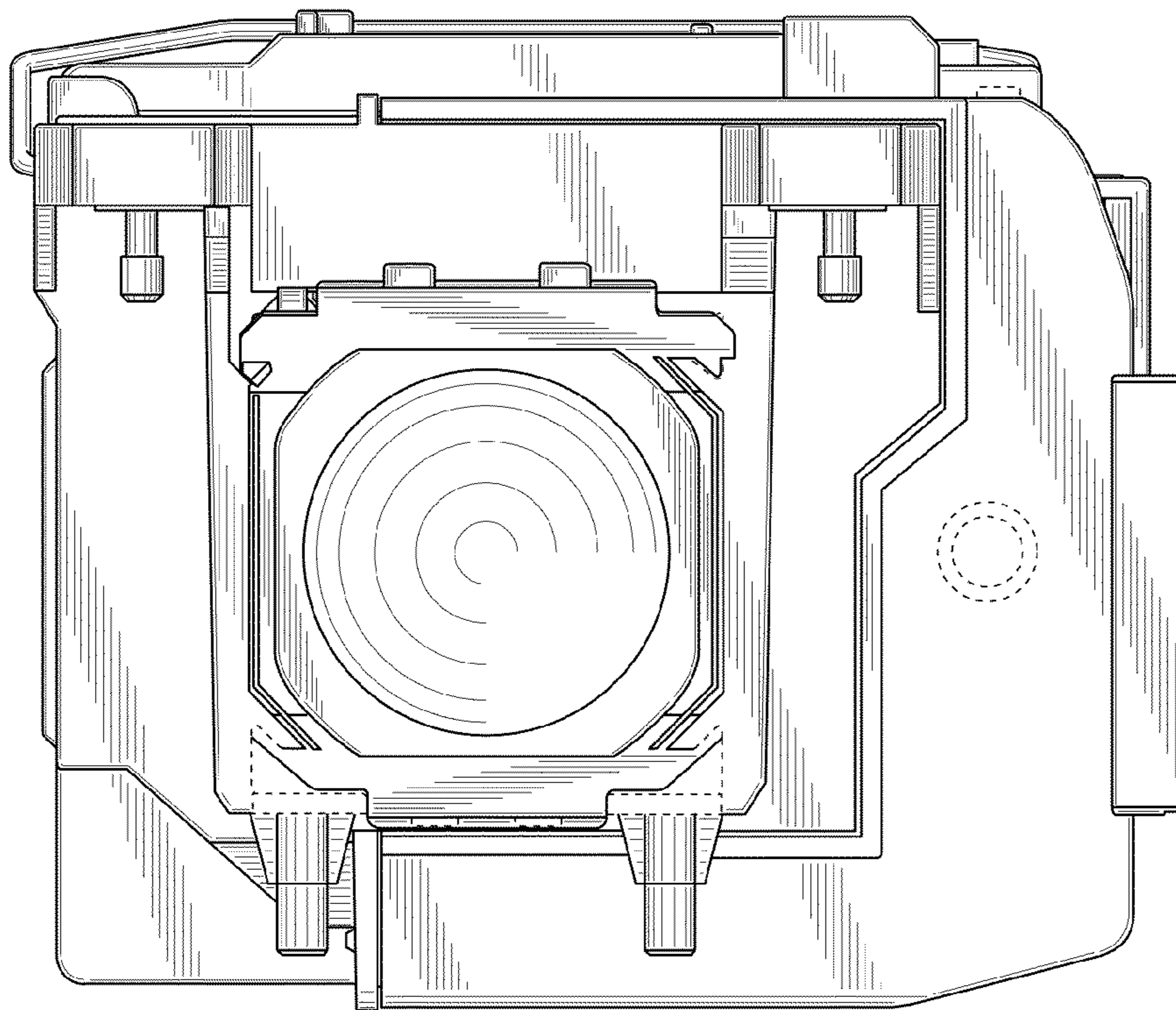


FIG. 4

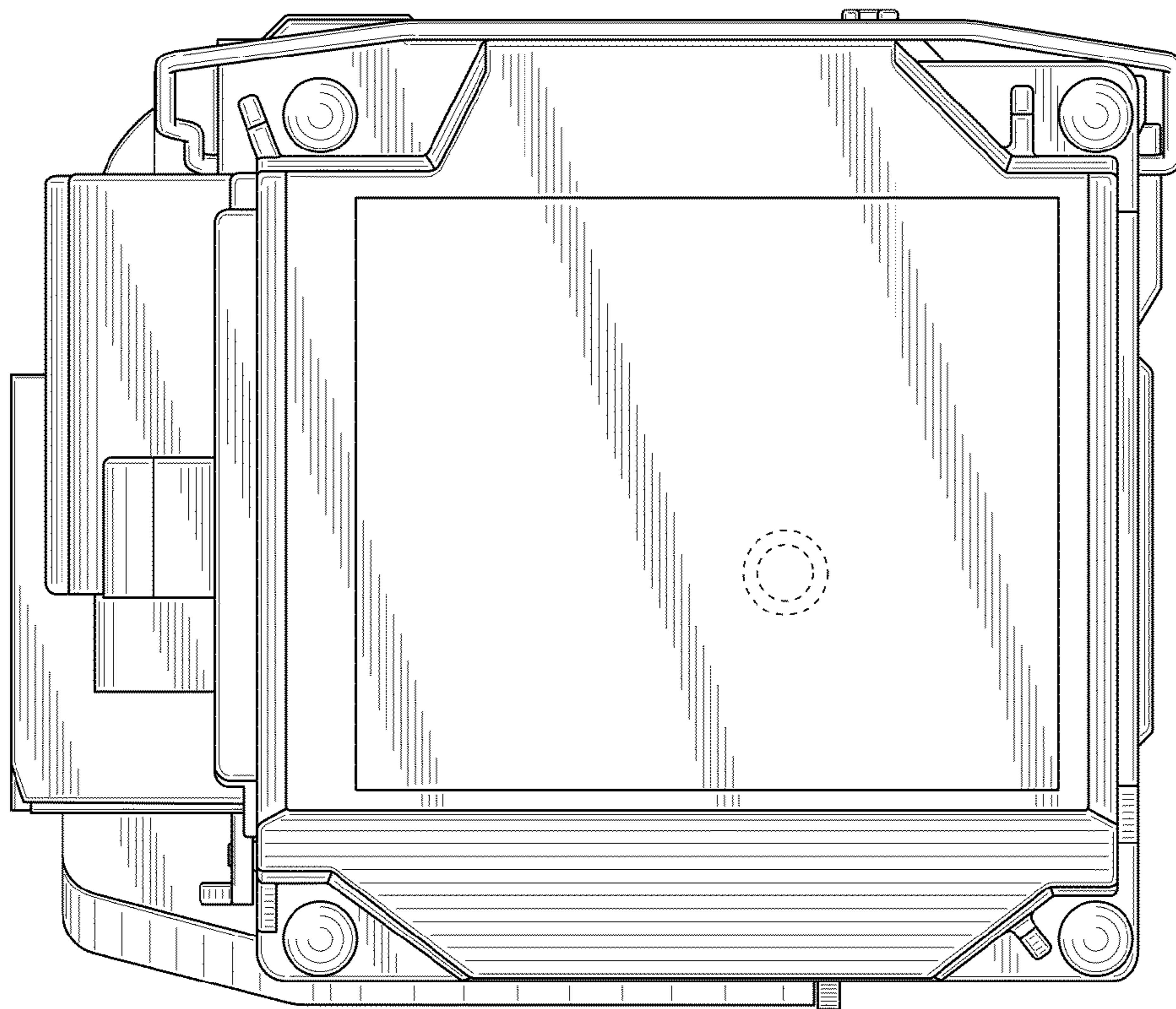


FIG. 5

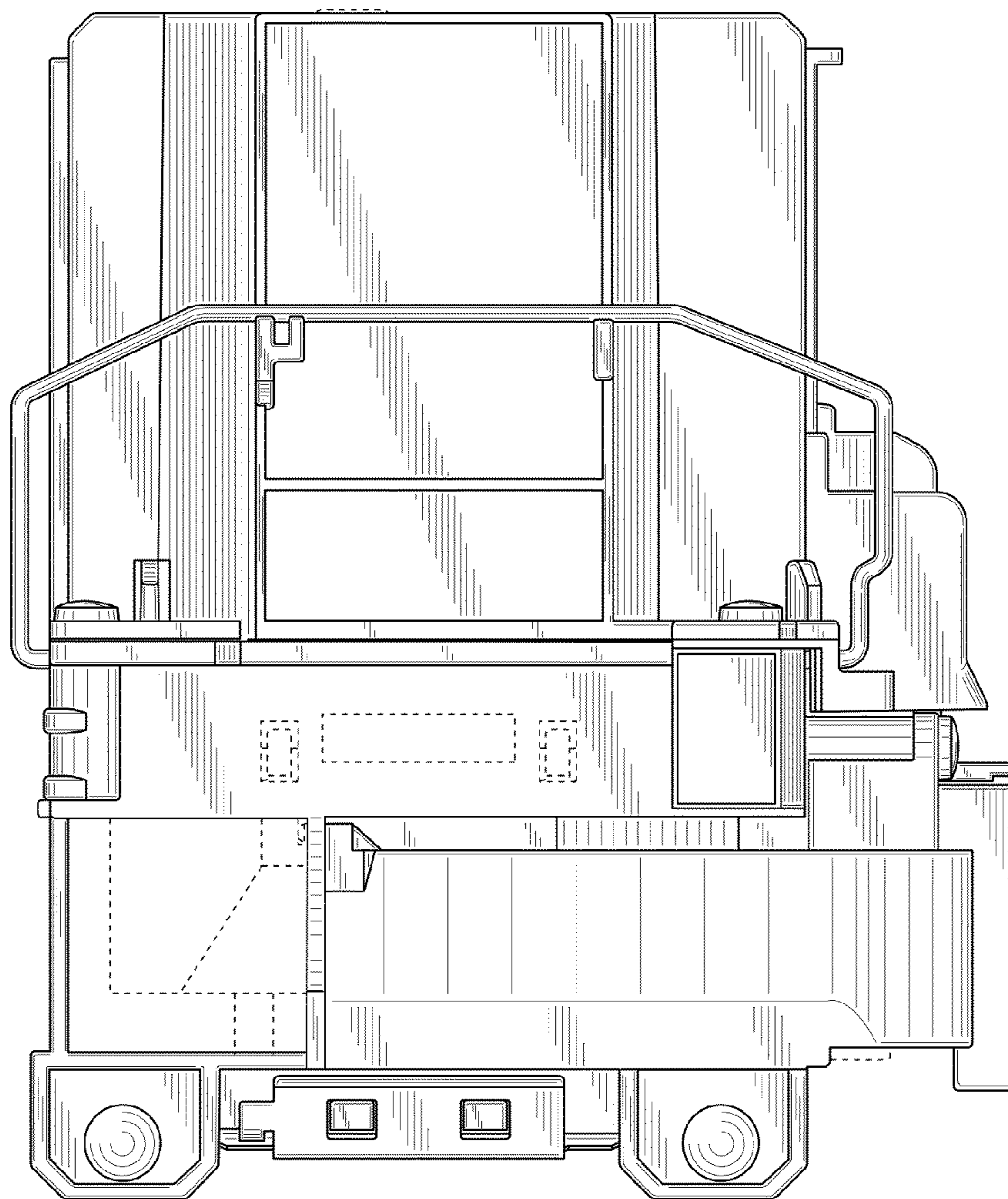


FIG. 6

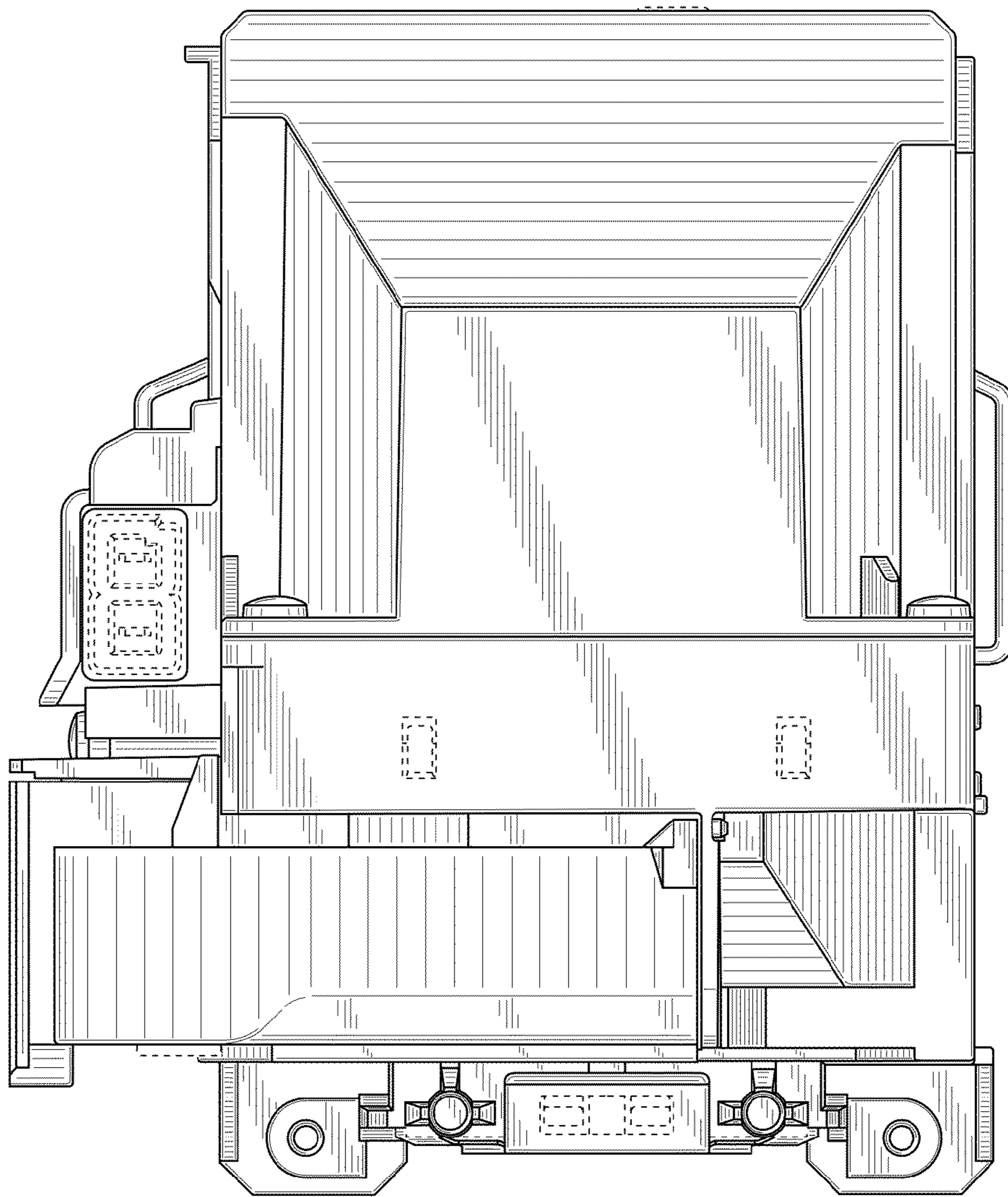


FIG. 7

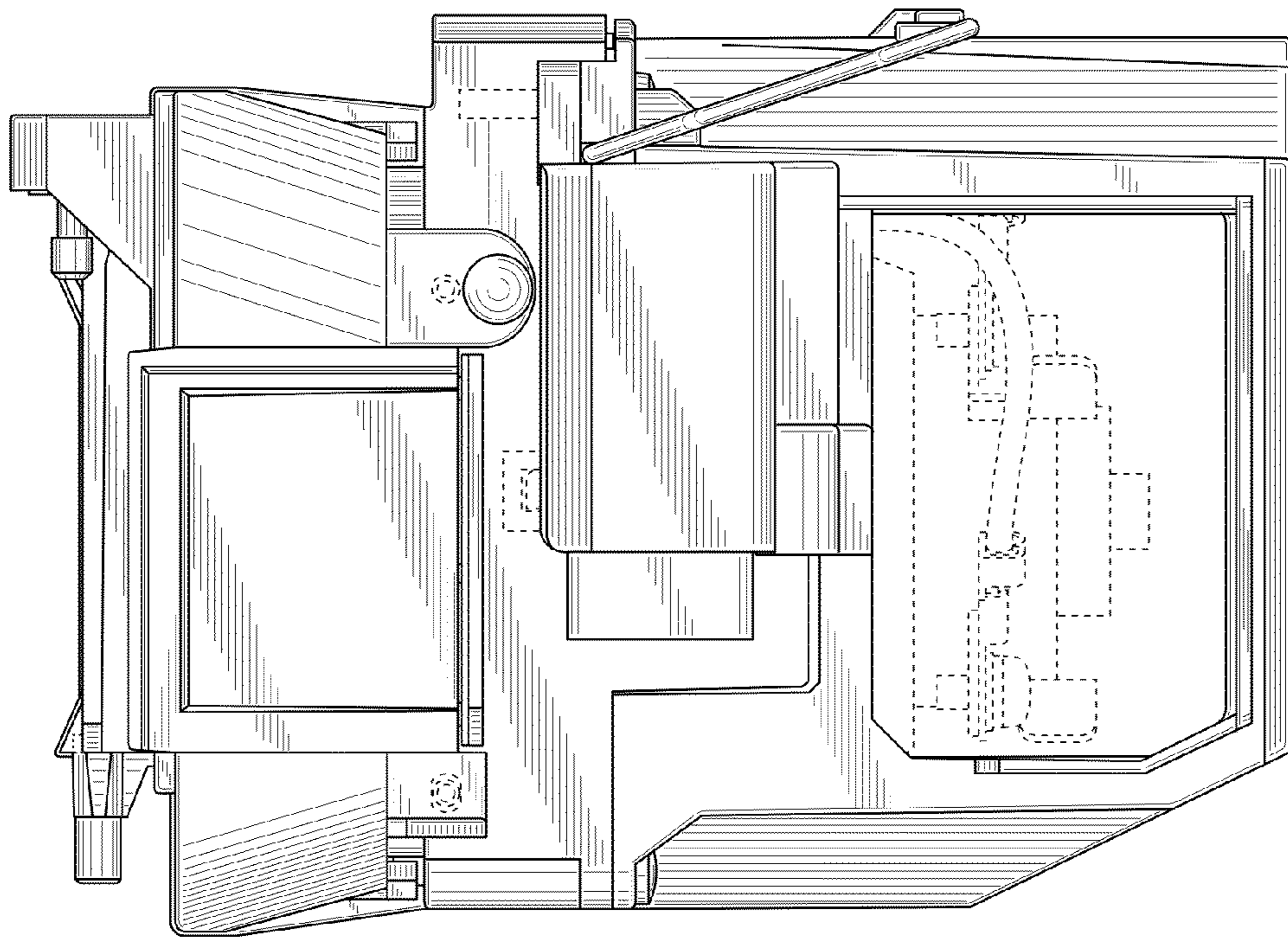


FIG. 8

