



US00D738423S

(12) **United States Design Patent**
Kim et al.

(10) **Patent No.:** **US D738,423 S**

(45) **Date of Patent:** **** Sep. 8, 2015**

(54) **CAMERA**

(71) Applicant: **Samsung Electronics Co., Ltd.**,
Suwon-si, Gyeonggi-do (KR)

(72) Inventors: **Joo-Hyung Kim**, Busan (KR);
Hyun-Seon Ko, Seoul (KR);
Byung-Wook Chin, Seoul (KR)

(73) Assignee: **Samsung Electronics Co., Ltd.**,
Suwon-si (KR)

(**) Term: **14 Years**

(21) Appl. No.: **29/492,769**

(22) Filed: **Jun. 3, 2014**

(30) **Foreign Application Priority Data**

Dec. 3, 2013 (KR) 30-2013-0060835

(51) **LOC (10) Cl.** **16-01**

(52) **U.S. Cl.**
USPC **D16/219**

(58) **Field of Classification Search**
USPC D16/200, 202–206, 208–209, 218, 219;
348/373–376; 396/535, 539–541
CPC G03B 15/03; G03B 17/02; G03B 17/04;
G03B 17/56; G03B 19/04; H04N 5/2251;
H04N 5/2252; H04N 5/2253; H04N 5/2254;
H04N 2101/00

See application file for complete search history.

(56) **References Cited**

U.S. PATENT DOCUMENTS

4,943,822	A	*	7/1990	von Braunhut	396/373
D407,098	S	*	3/1999	Goto et al.	D16/202
D428,904	S	*	8/2000	Oshima	D16/209
D429,749	S	*	8/2000	Hatakeyama	D16/219
D436,978	S	*	1/2001	Suzuki et al.	D16/219
D448,790	S	*	10/2001	Suzuki et al.	D16/219
D450,740	S	*	11/2001	Suzuki et al.	D16/219
D455,770	S	*	4/2002	Suzuki et al.	D16/219
D487,765	S	*	3/2004	Dow et al.	D16/218
D510,746	S	*	10/2005	Imai	D16/212
D536,015	S	*	1/2007	Hanafusa	D16/219
D606,104	S	*	12/2009	Sato	D16/202
D695,807	S	*	12/2013	Tainaka	D16/202

* cited by examiner

Primary Examiner — Adir Aronovich

Assistant Examiner — Ramzi Almatrahi

(74) *Attorney, Agent, or Firm* — Ladas & Parry LLP

(57) **CLAIM**

The ornamental design for a camera, as shown and described.

DESCRIPTION

FIG. 1 is a perspective view of a camera showing our new design;

FIG. 2 is a front elevation view thereof;

FIG. 3 is a rear elevation view thereof;

FIG. 4 is a left side elevation view thereof;

FIG. 5 is a right side elevation view thereof;

FIG. 6 is a top plan view thereof; and,

FIG. 7 is a bottom plan view thereof.

The broken lines depict portions of a camera in which the design is embodied and form no part of the claimed design.

1 Claim, 4 Drawing Sheets

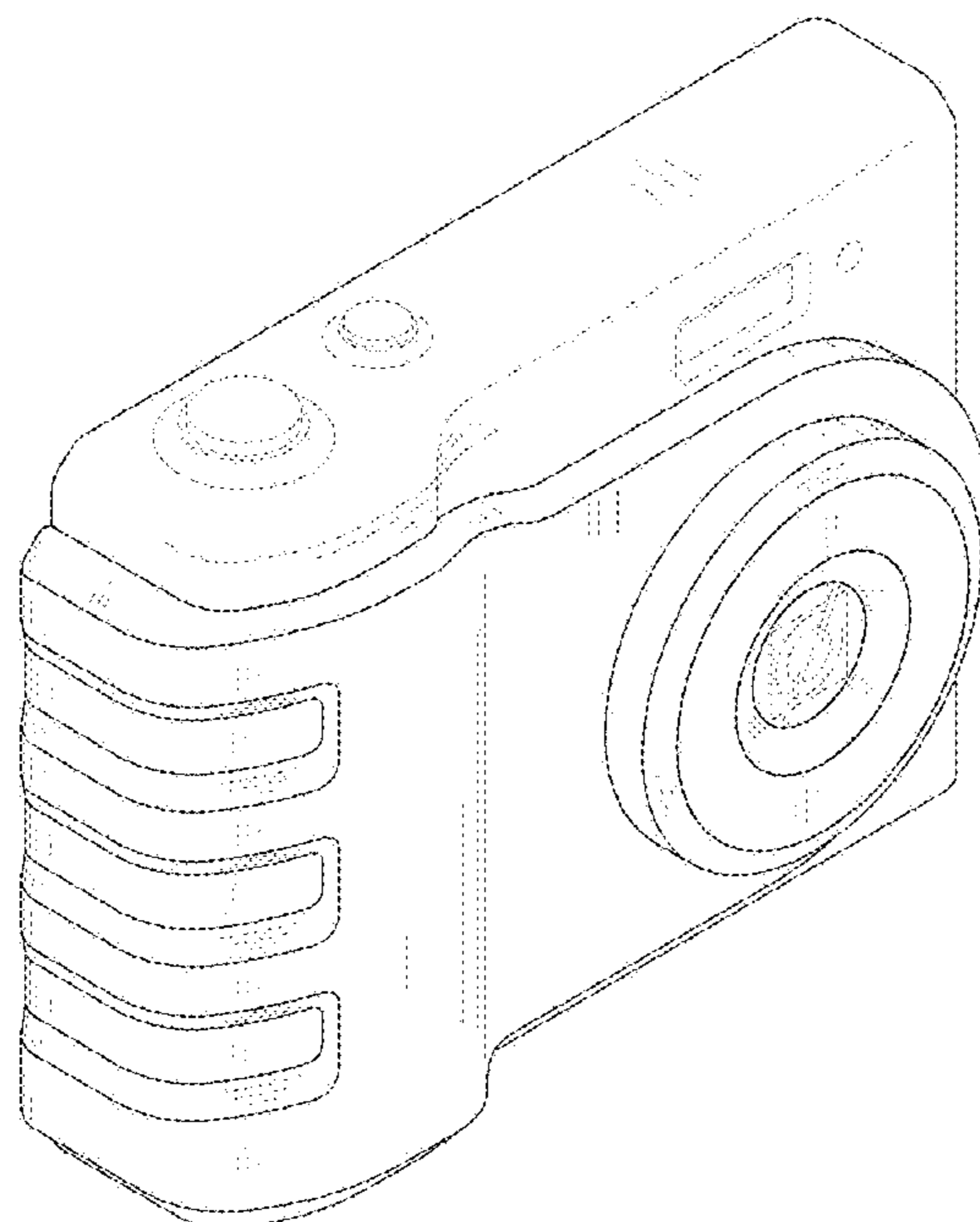


FIG. 1

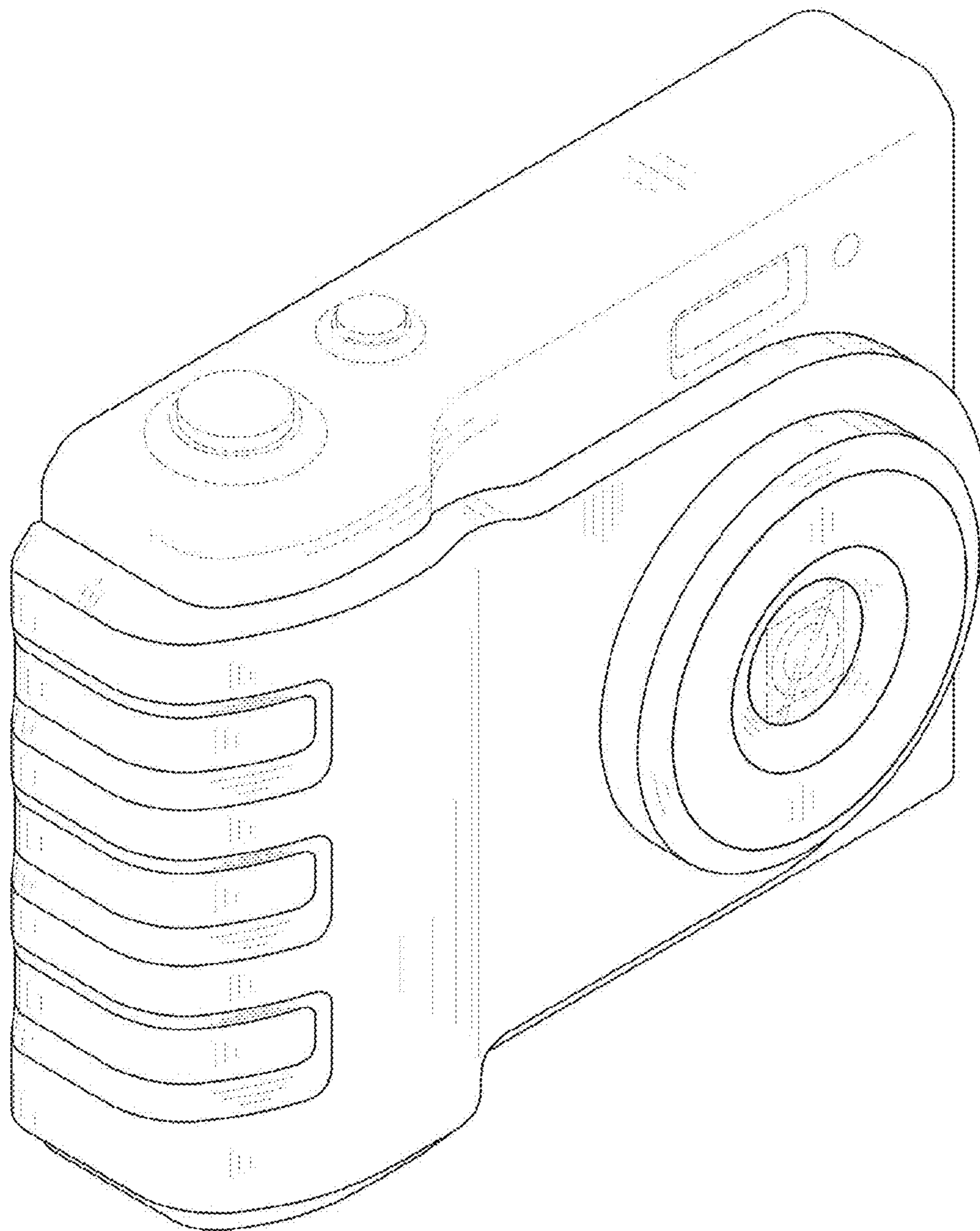


FIG. 2

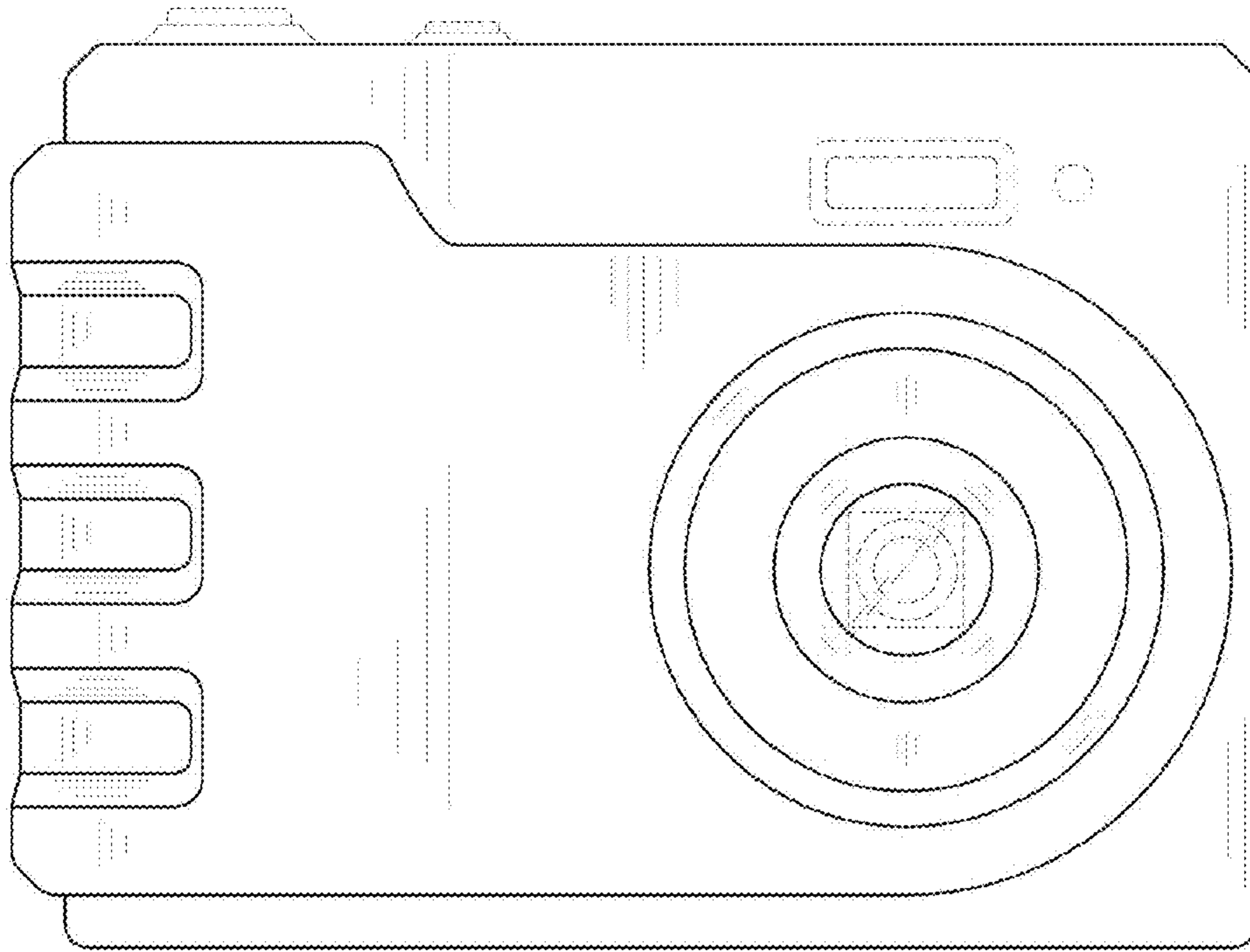


FIG. 3

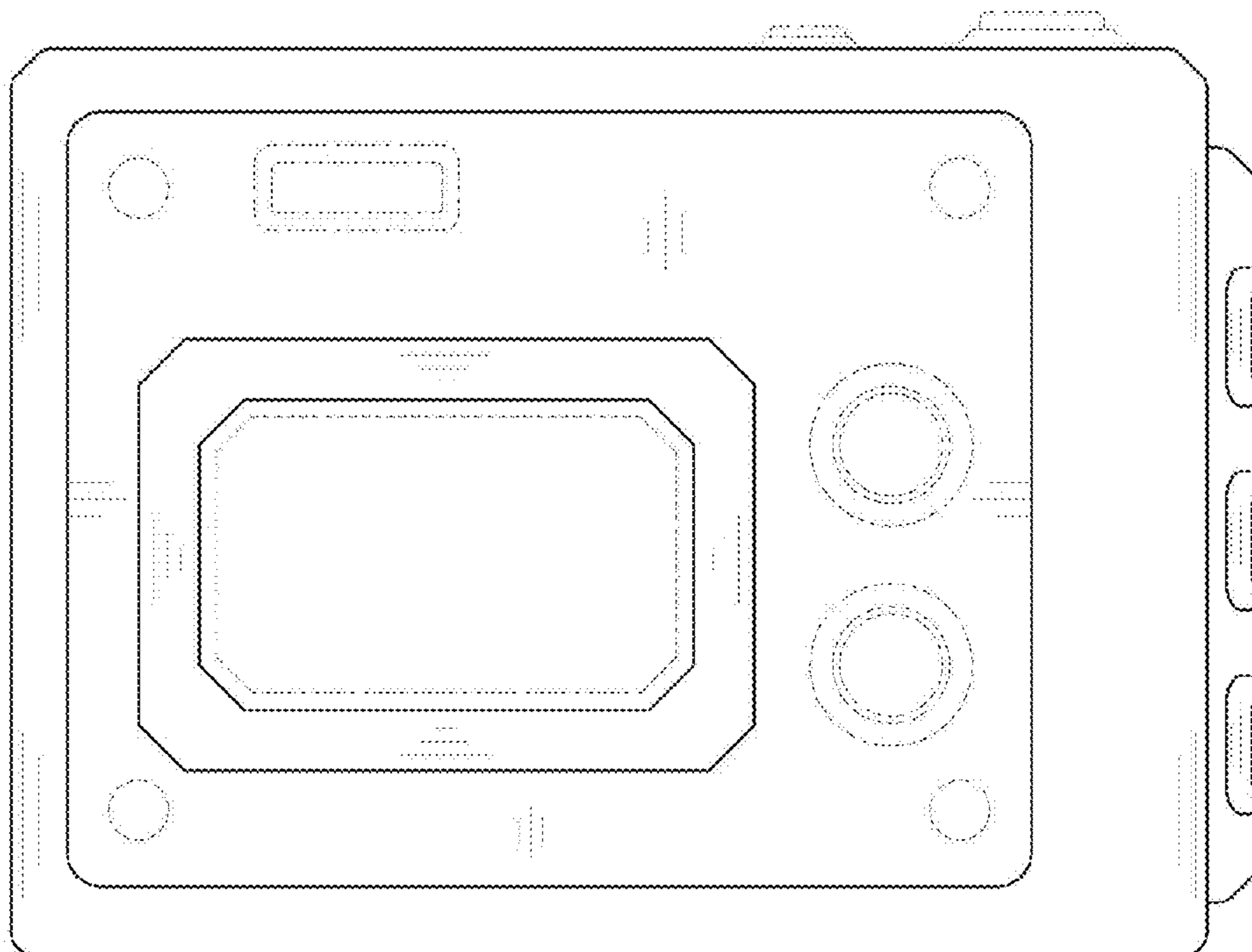


FIG. 4

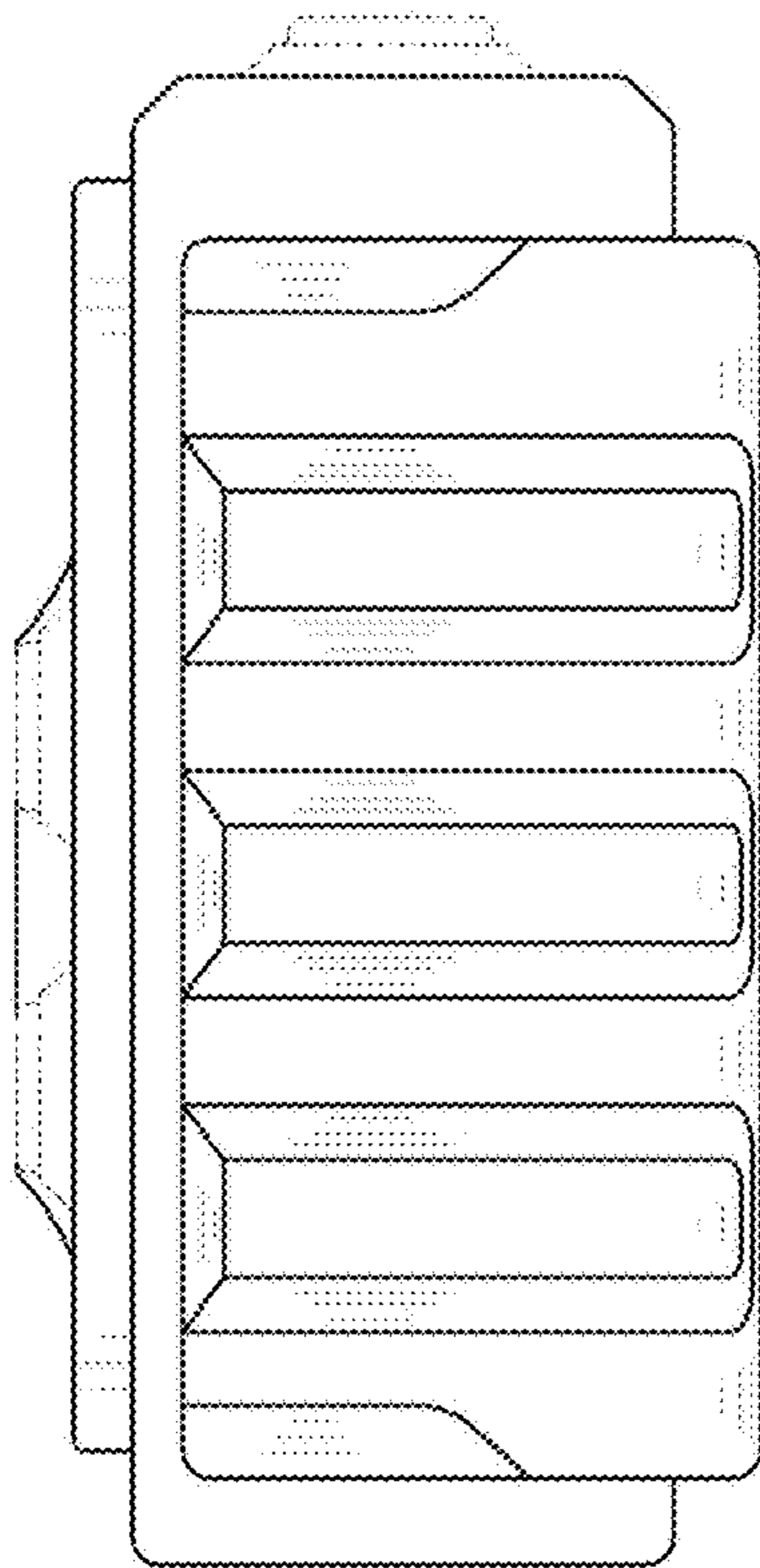


FIG. 5

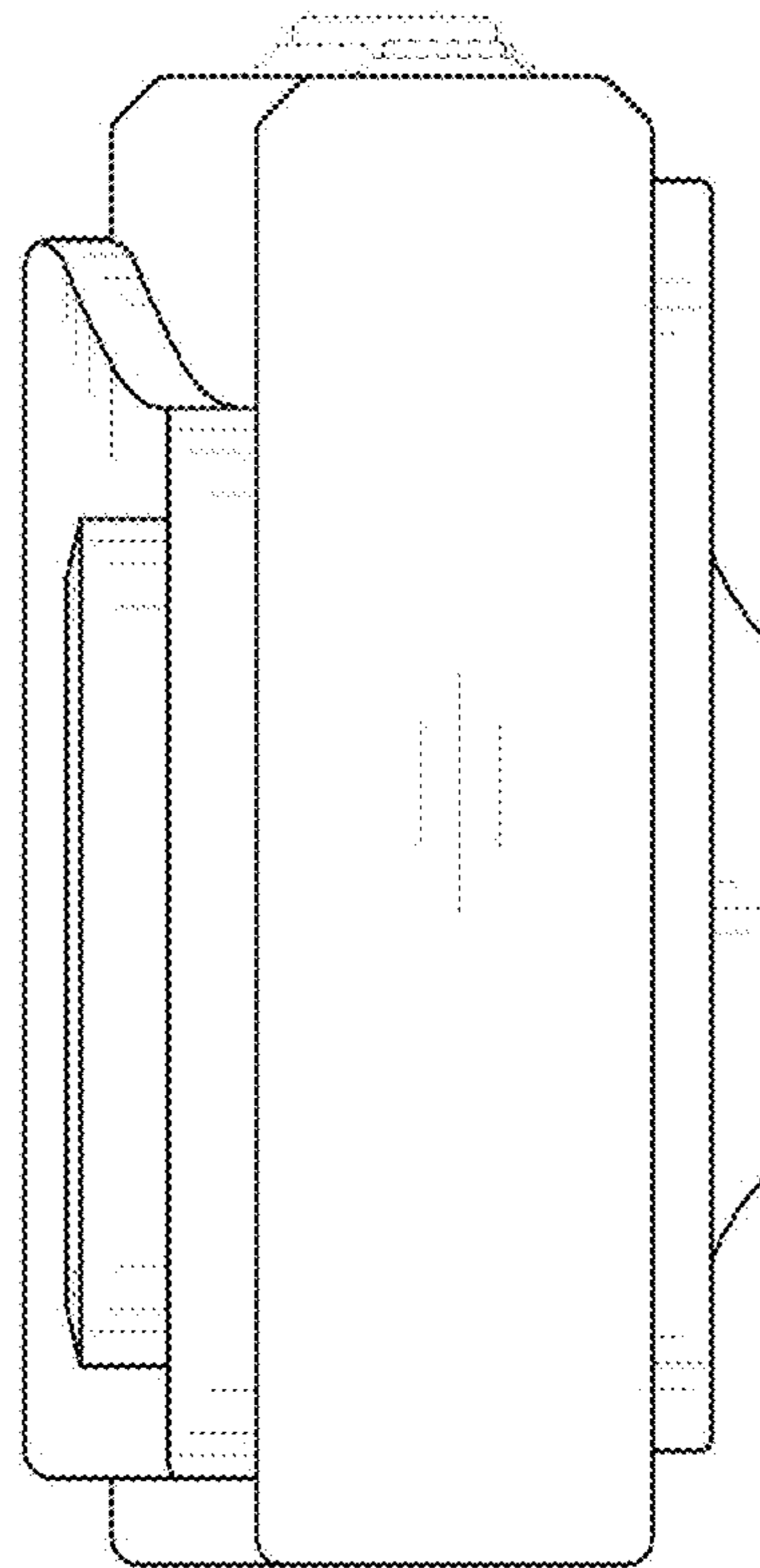


FIG. 6

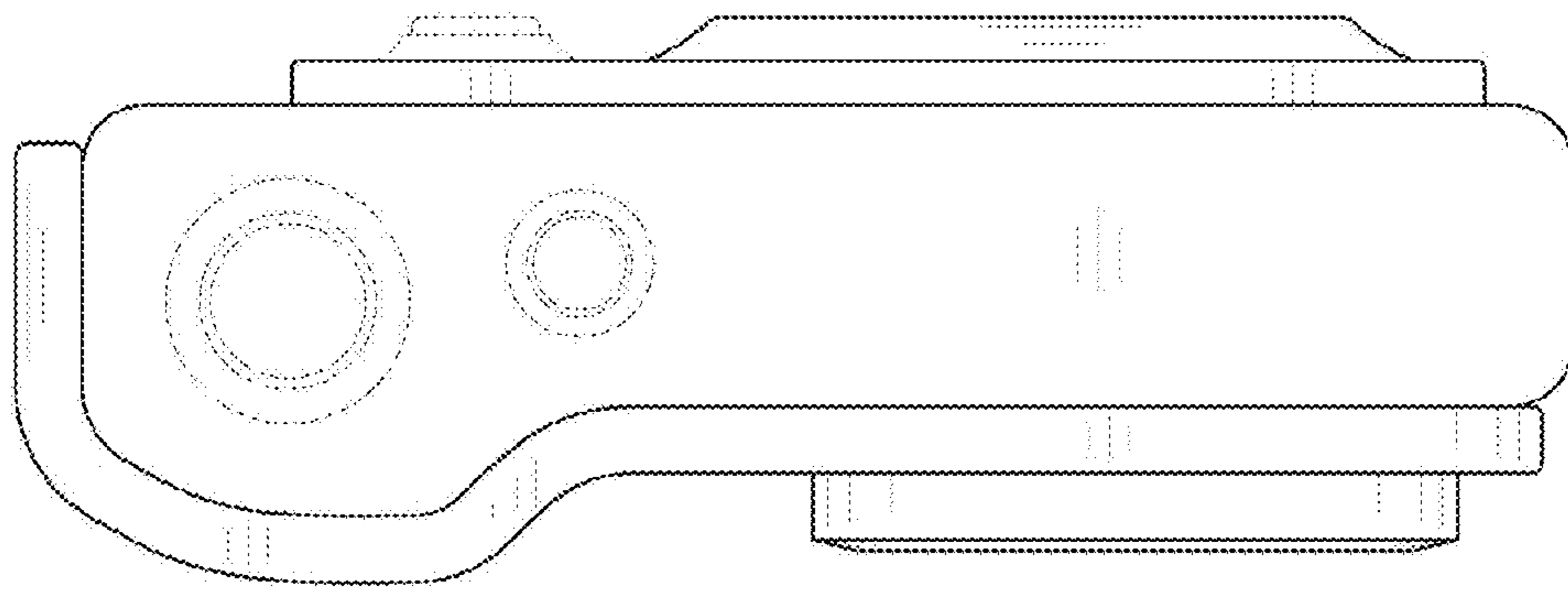


FIG. 7

