



US00D738422S

(12) **United States Design Patent**  
**Lee et al.**

(10) **Patent No.:** **US D738,422 S**  
(45) **Date of Patent:** **\*\* Sep. 8, 2015**

(54) **CAMERA**

(56) **References Cited**

(71) Applicant: **Samsung Electronics Co., Ltd.**,  
Suwon-si, Gyeonggi-do (KR)

U.S. PATENT DOCUMENTS

(72) Inventors: **Joo-Hyung Lee**, Seoul (KR); **Jörg Tragatschnig**, Zell am See (AT);  
**Eui-Hoon Kim**, Uiwang-si (KR);  
**Byung-Wook Chin**, Seoul (KR)

5,305,031	A	*	4/1994	Hayakawa	.....	396/26
6,477,329	B2	*	11/2002	Weng et al.	.....	396/287
D553,657	S	*	10/2007	Bai	.....	D16/202
D555,688	S	*	11/2007	Yoo et al.	.....	D16/202
D555,689	S	*	11/2007	Yoo et al.	.....	D16/202
D556,229	S	*	11/2007	Bai	.....	D16/202
D695,803	S	*	12/2013	Kyunghan et al.	.....	D16/202
D701,892	S	*	4/2014	Jang et al.	.....	D16/202
D710,425	S	*	8/2014	Sato	.....	D16/219
D712,947	S	*	9/2014	Chai	.....	D16/202
D712,949	S	*	9/2014	Kwon et al.	.....	D16/202
D713,869	S	*	9/2014	Kim	.....	D16/202
2014/0340576	A1	*	11/2014	Kim et al.	.....	348/375

(73) Assignee: **Samsung Electronics Co., Ltd.**,  
Suwon-Si (KR)

(\*\*) Term: **14 Years**

\* cited by examiner

(21) Appl. No.: **29/491,614**

*Primary Examiner* — Susan E Krakower

(22) Filed: **May 22, 2014**

*Assistant Examiner* — Ramzi Almatrahi

(30) **Foreign Application Priority Data**

(74) *Attorney, Agent, or Firm* — Ladas & Parry LLP

Nov. 22, 2013 (KR) ..... 30-2013-0058947

(57) **CLAIM**

The ornamental design for a camera, as shown and described.

(51) **LOC (10) Cl.** ..... **16-05**

**DESCRIPTION**

(52) **U.S. Cl.**

USPC ..... **D16/219**

(58) **Field of Classification Search**

USPC ..... D16/200, 202–205, 208, 209, 218, 219;  
348/373–376; 396/535, 538–541

CPC ..... G03B 17/02; G03B 19/04; G03B 17/56;  
G03B 17/04; G03B 15/03; G03B 15/05;

H04N 5/2251; H04N 5/2252; H04N 5/2253;  
H04N 5/2254; H04N 2007/145; H04N 7/141;

H04N 7/142; H04N 7/147; H04N 7/148;  
H04N 7/15; H04N 7/152

See application file for complete search history.

**1 Claim, 4 Drawing Sheets**

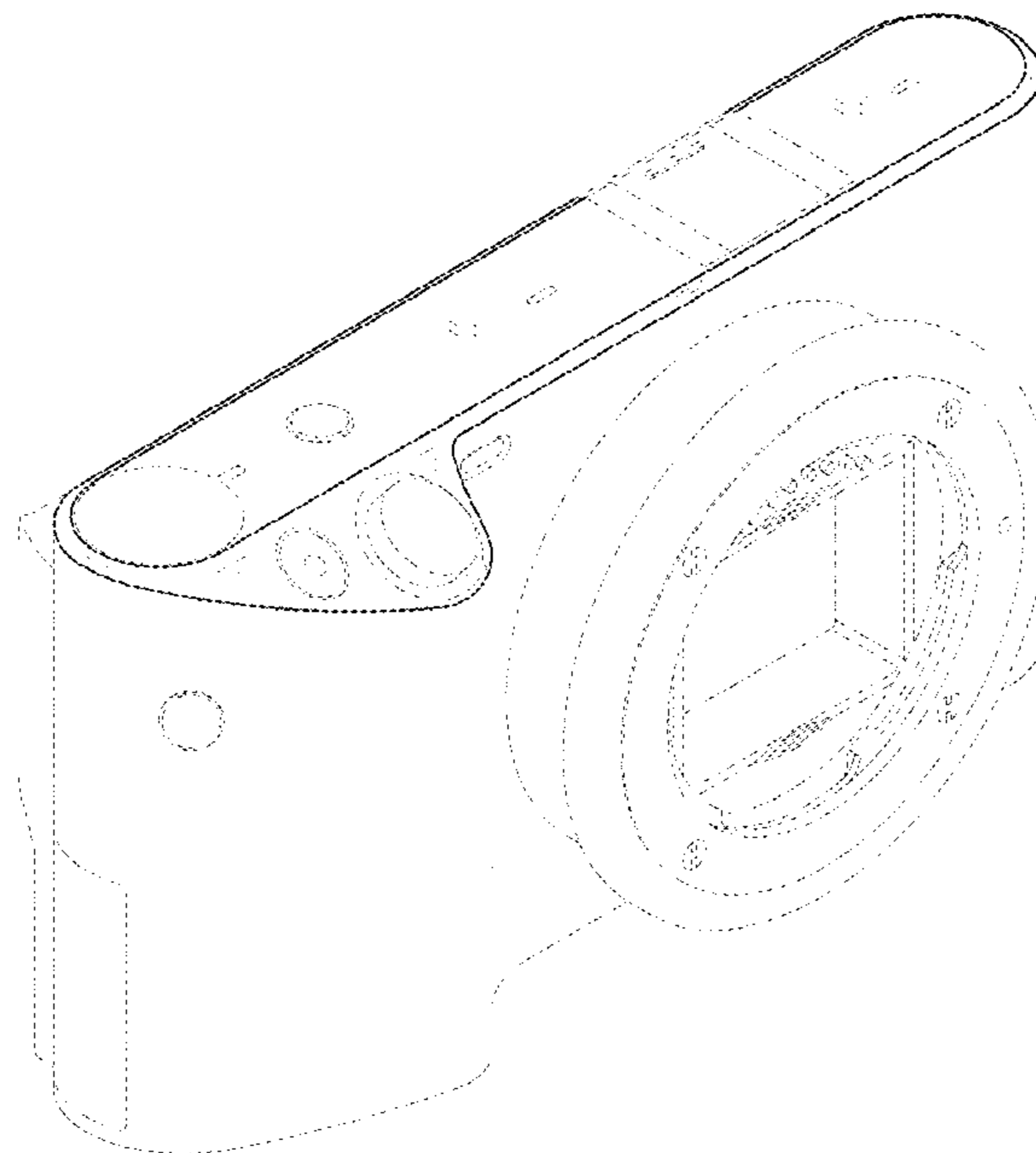


FIG. 1

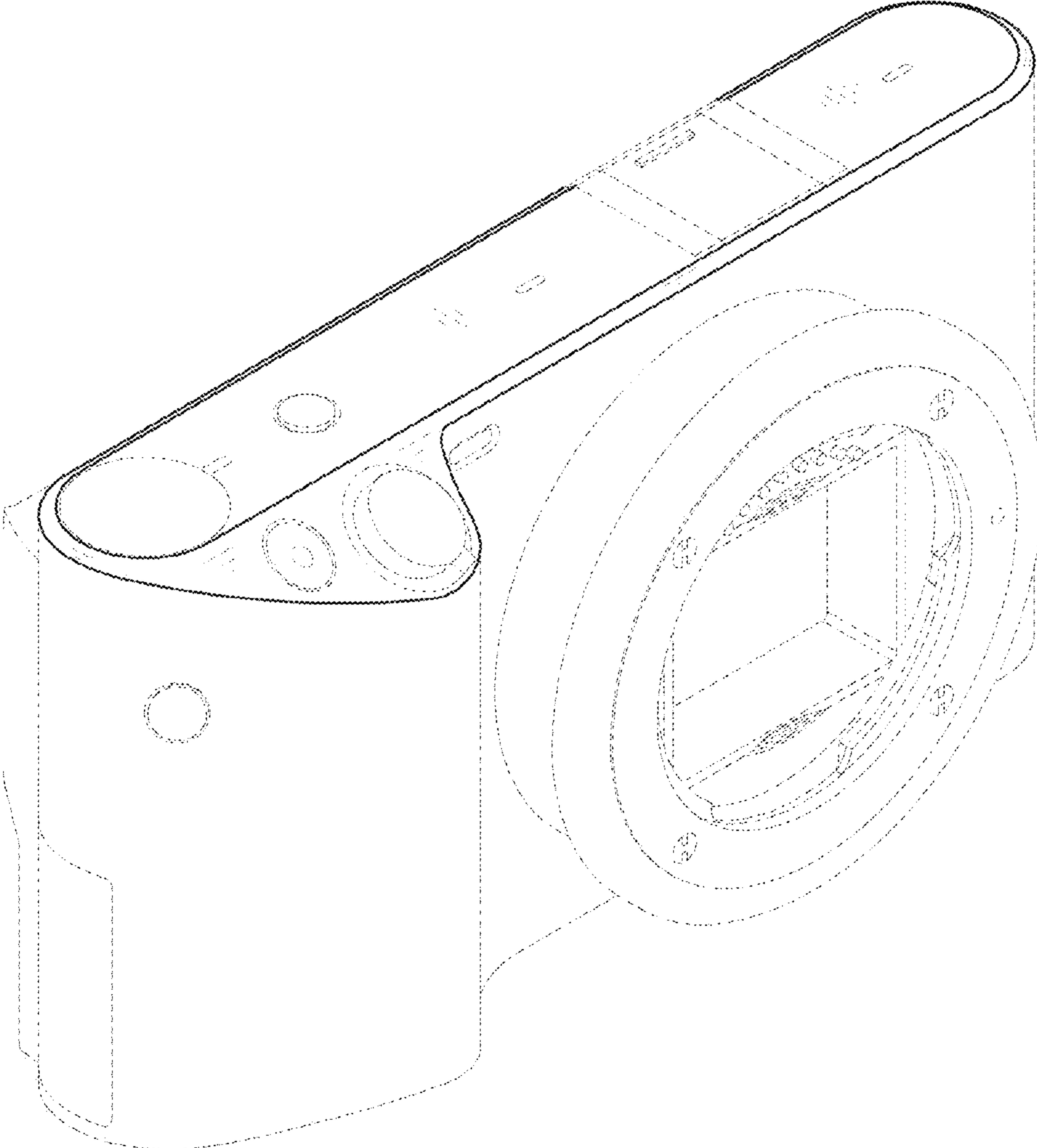


FIG. 2

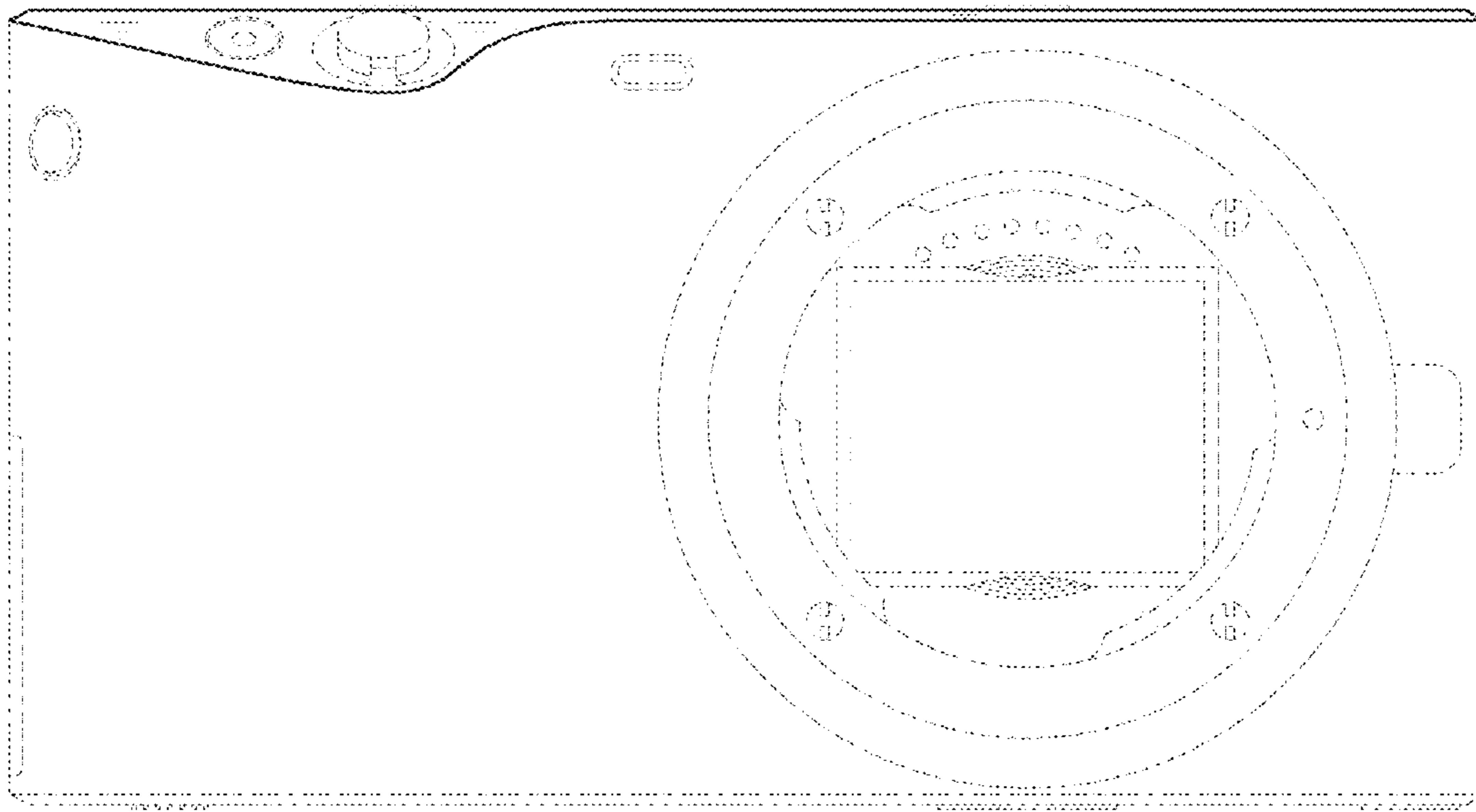


FIG. 3

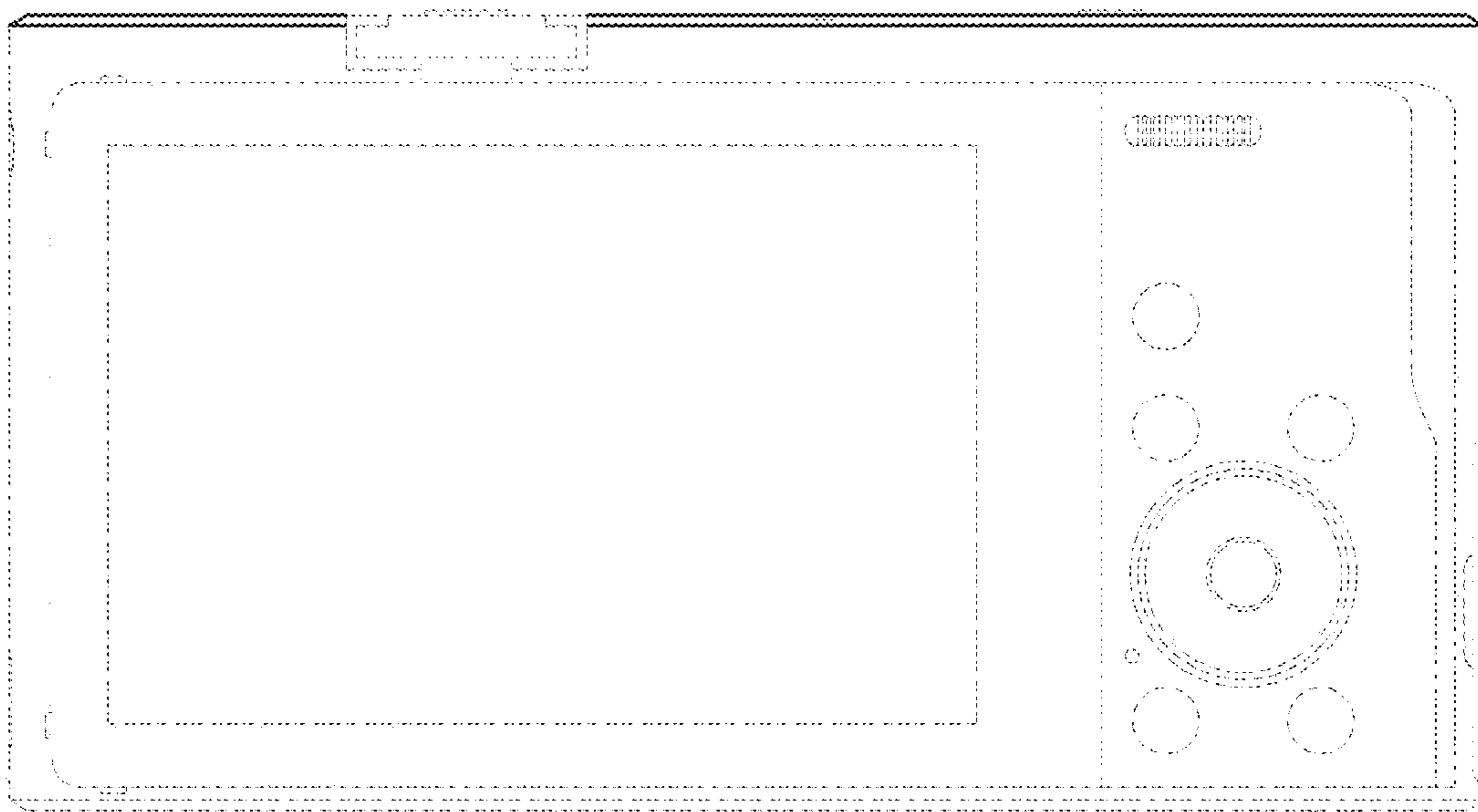


FIG. 4

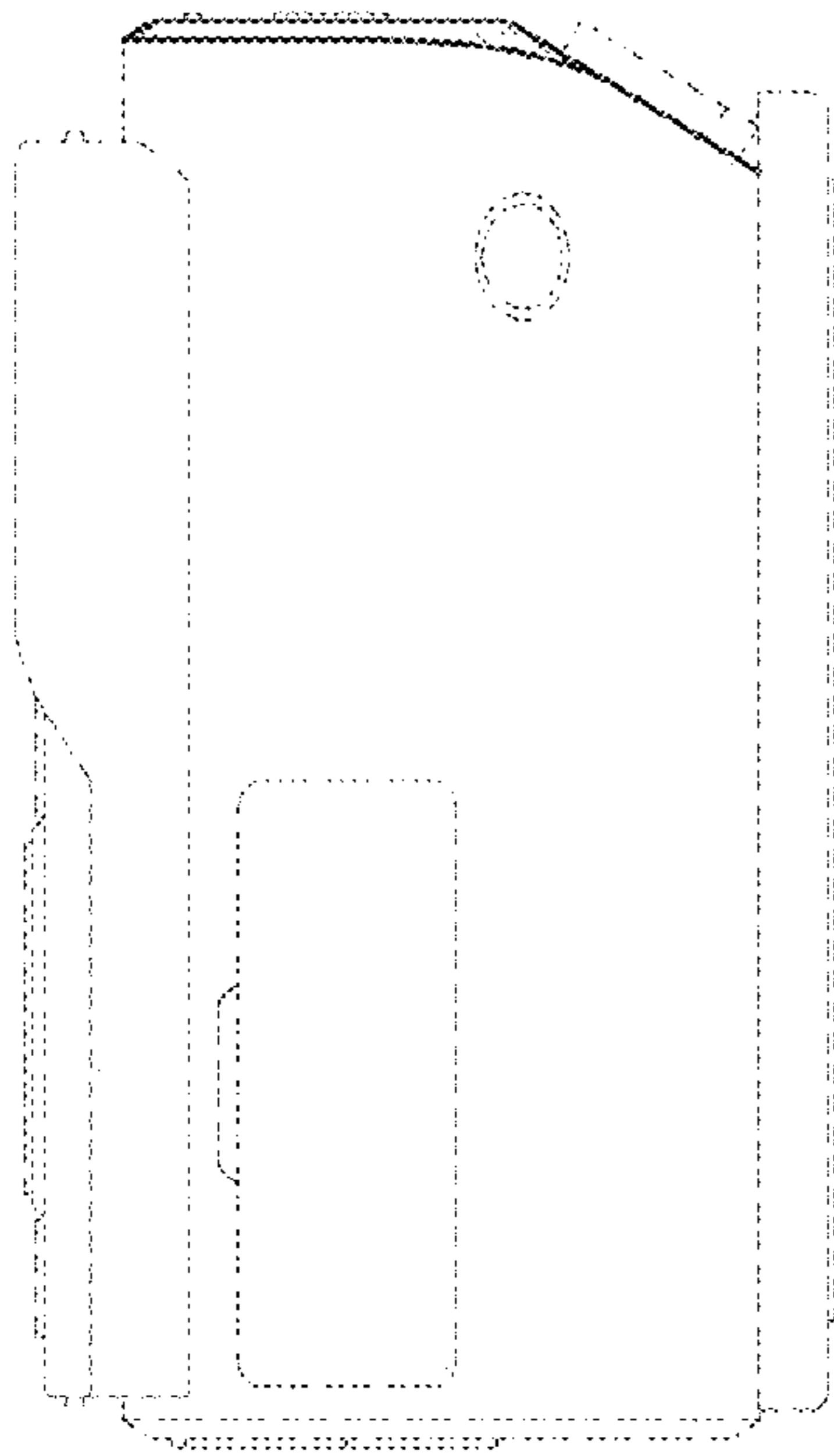


FIG. 5

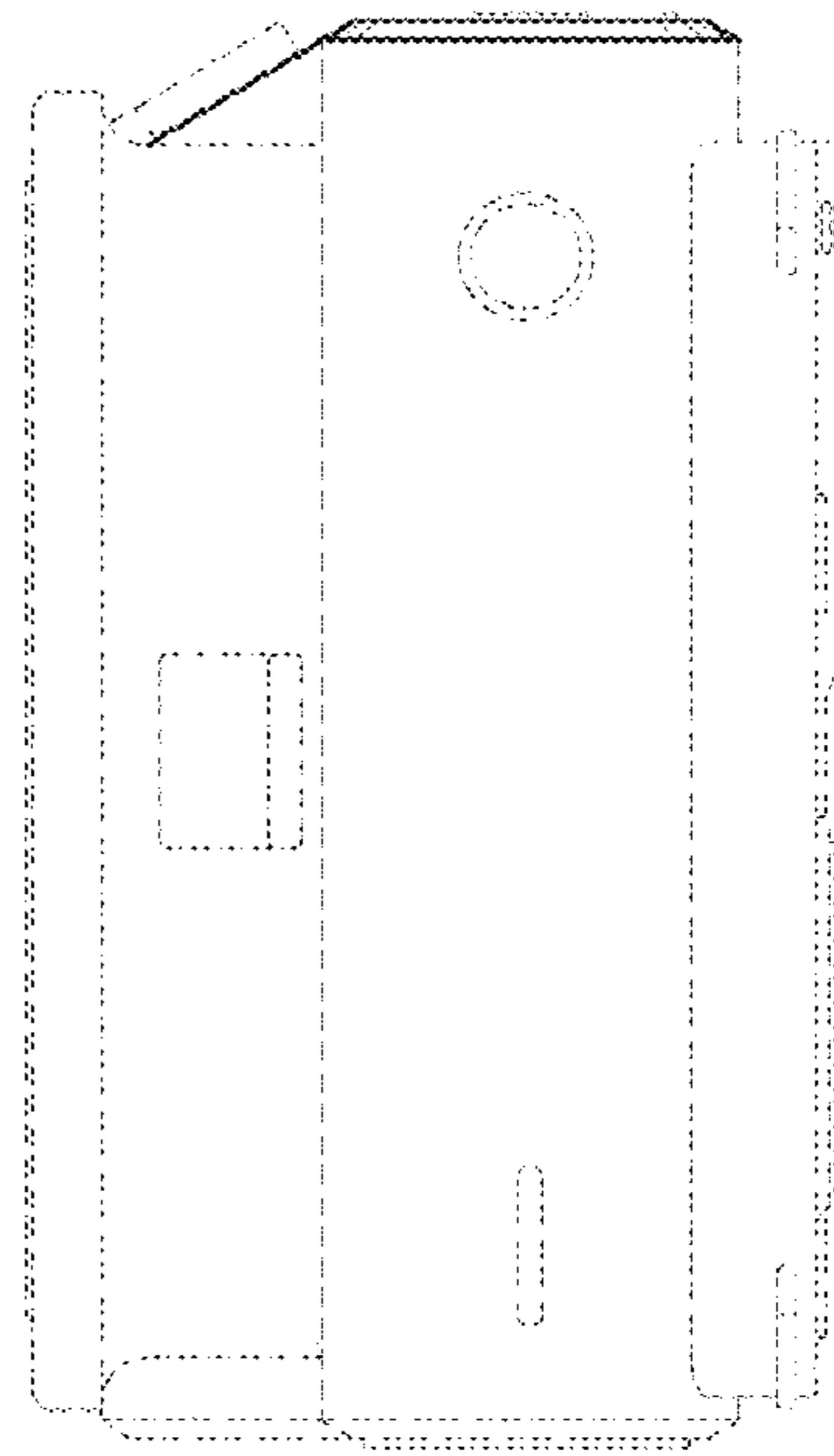


FIG. 6

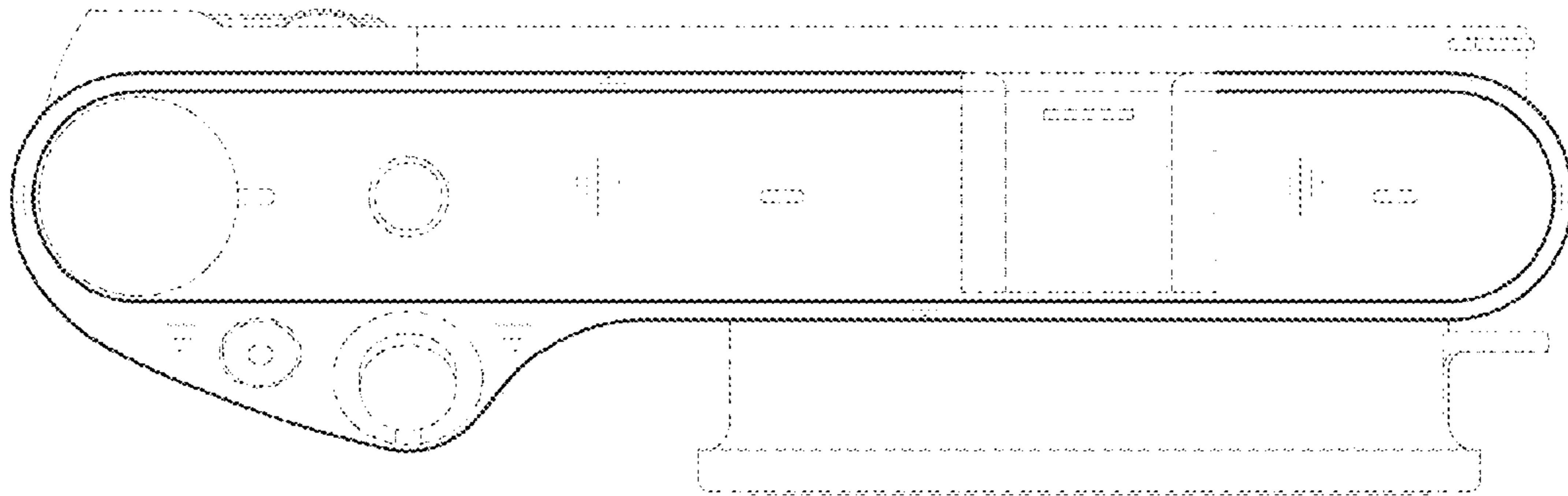


FIG. 7

