



US00D738421S

(12) **United States Design Patent**  
**Ham**

(10) **Patent No.:** **US D738,421 S**  
(45) **Date of Patent:** **\*\* Sep. 8, 2015**

- (54) **CAMERA**
- (71) Applicant: **Samsung Electronics Co., Ltd.**,  
Suwon-si, Gyeonggi-do (KR)
- (72) Inventor: **Sun Woong Ham**, Seoul (KR)
- (73) Assignee: **Samsung Electronics Co., Ltd.**,  
Suwon-Si (KR)
- (\*\*) Term: **14 Years**
- (21) Appl. No.: **29/486,242**
- (22) Filed: **Mar. 27, 2014**
- (30) **Foreign Application Priority Data**  
Oct. 1, 2013 (KR) ..... 30-2013-0049791
- (51) **LOC (10) Cl.** ..... **16-05**
- (52) **U.S. Cl.**  
USPC ..... **D16/219**; D16/209
- (58) **Field of Classification Search**  
USPC ..... D16/200, 202–205, 208, 209, 211, 212,  
D16/218, 219, 239; 348/373–376; 396/174,  
396/176–178, 354, 535, 538–541  
CPC ..... G03B 17/02; G03B 19/04; G03B 17/56;  
G03B 17/04; G03B 15/03; G03B 15/05;  
H04N 5/2251; H04N 5/2252; H04N 5/2253;  
H04N 5/2254; H04N 2007/145; H04N 7/141;  
H04N 7/142; H04N 7/147; H04N 7/148;  
H04N 7/15; H04N 7/152  
See application file for complete search history.

(56) **References Cited**  
U.S. PATENT DOCUMENTS

- D358,831 S \* 5/1995 Koza ..... D16/209
- D448,039 S \* 9/2001 Horikiri ..... D16/212
- 6,349,180 B1 \* 2/2002 Jabbour et al. .... 396/535

- D491,597 S \* 6/2004 Haga ..... D16/219
- D491,598 S \* 6/2004 Shimobayashi ..... D16/219
- D492,337 S \* 6/2004 Shimobayashi ..... D16/219
- 7,715,705 B2 \* 5/2010 Yasutomi et al. .... 396/174
- D653,275 S \* 1/2012 Sakai ..... D16/202
- D673,201 S \* 12/2012 Nakamura et al. .... D16/200
- D682,338 S \* 5/2013 Uemachi ..... D16/202
- D695,804 S \* 12/2013 Nohara et al. .... D16/202
- D710,923 S \* 8/2014 Watanabe ..... D16/202
- D721,118 S \* 1/2015 Chai ..... D16/219

\* cited by examiner

*Primary Examiner* — Adir Aronovich  
*Assistant Examiner* — Ramzi Almatrahi  
(74) *Attorney, Agent, or Firm* — Ladas & Parry LLP

(57) **CLAIM**

I claim the ornamental design for a camera, as shown and described.

**DESCRIPTION**

FIG. 1 is a front perspective view of a camera showing my new design;  
 FIG. 2 is a front elevation view thereof;  
 FIG. 3 is a rear elevation view thereof;  
 FIG. 4 is a left side elevation view thereof;  
 FIG. 5 is a right side elevation view thereof;  
 FIG. 6 is a top plan view thereof;  
 FIG. 7 is a bottom plan view thereof;  
 FIG. 8 is an enlarged view of the encircled portion as shown in FIG. 7; and,  
 FIG. 9 is a front perspective view thereof, showing the flash in an alternate configuration.

The broken lines illustrating portions of the camera are for environmental purposes only and form no part of the claimed design.

The dot-dash broken lines encircling portions of the claimed design that are illustrated in enlargements form no part of the claimed design.

**1 Claim, 7 Drawing Sheets**

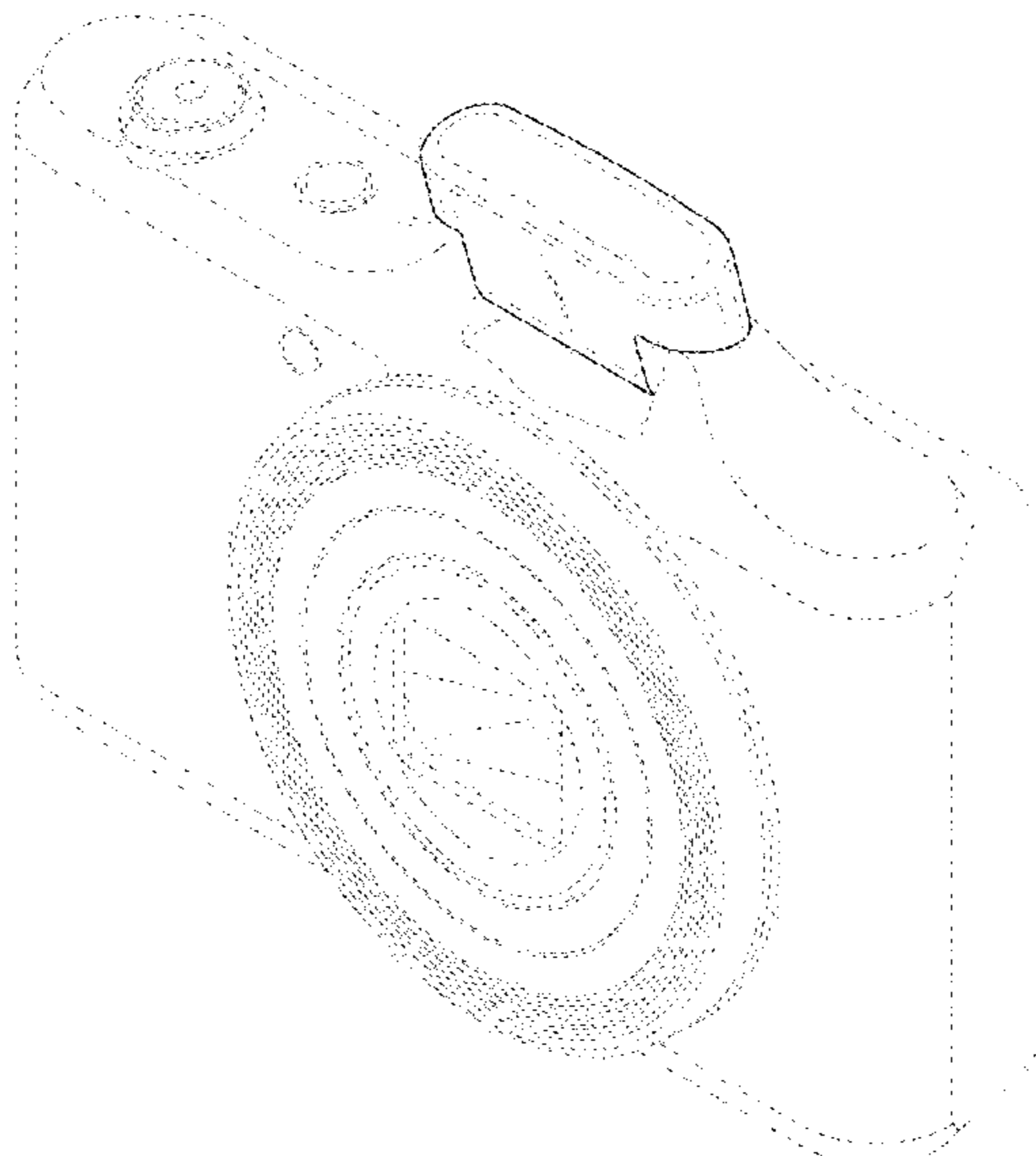


FIG. 1

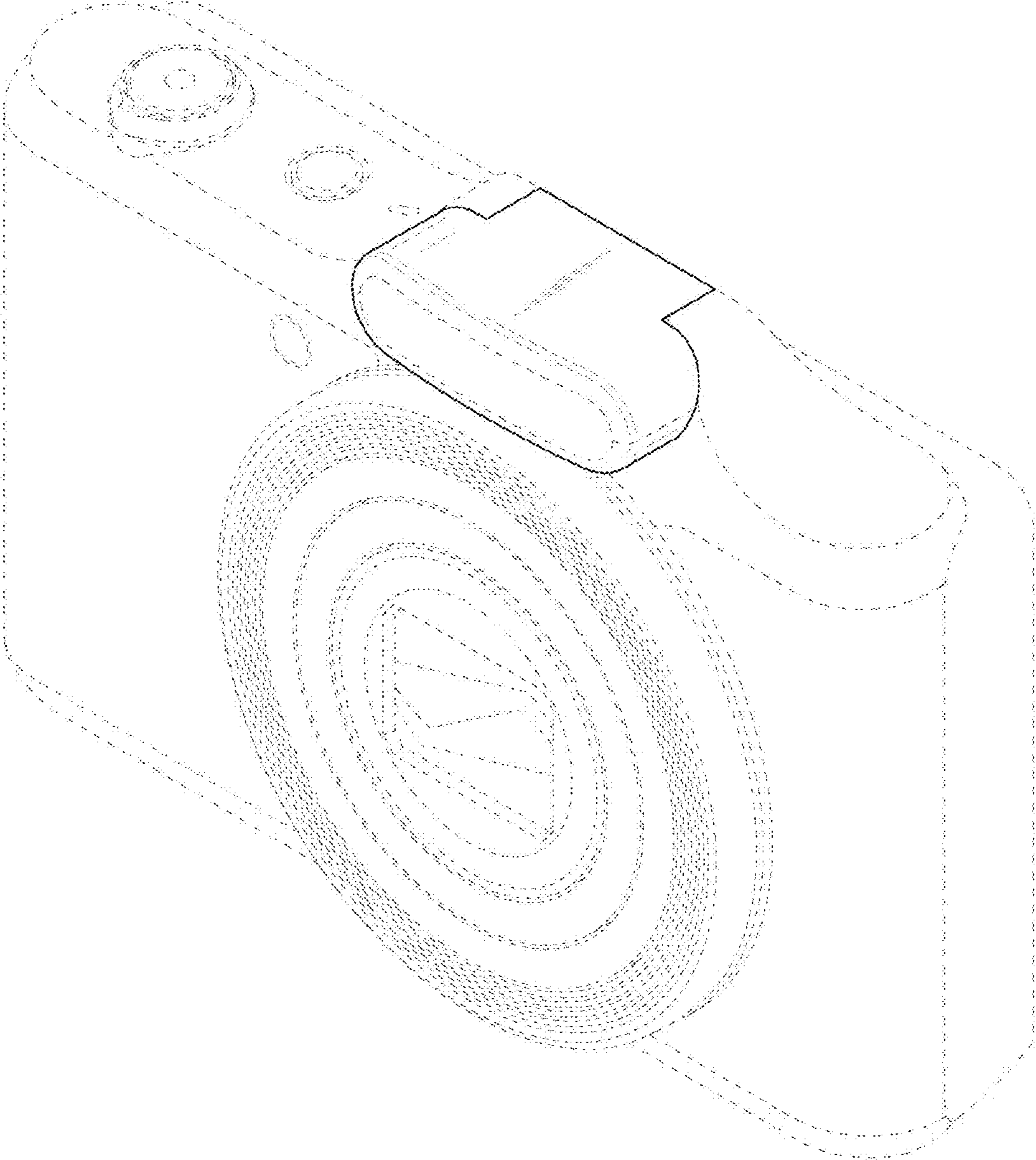


FIG.2

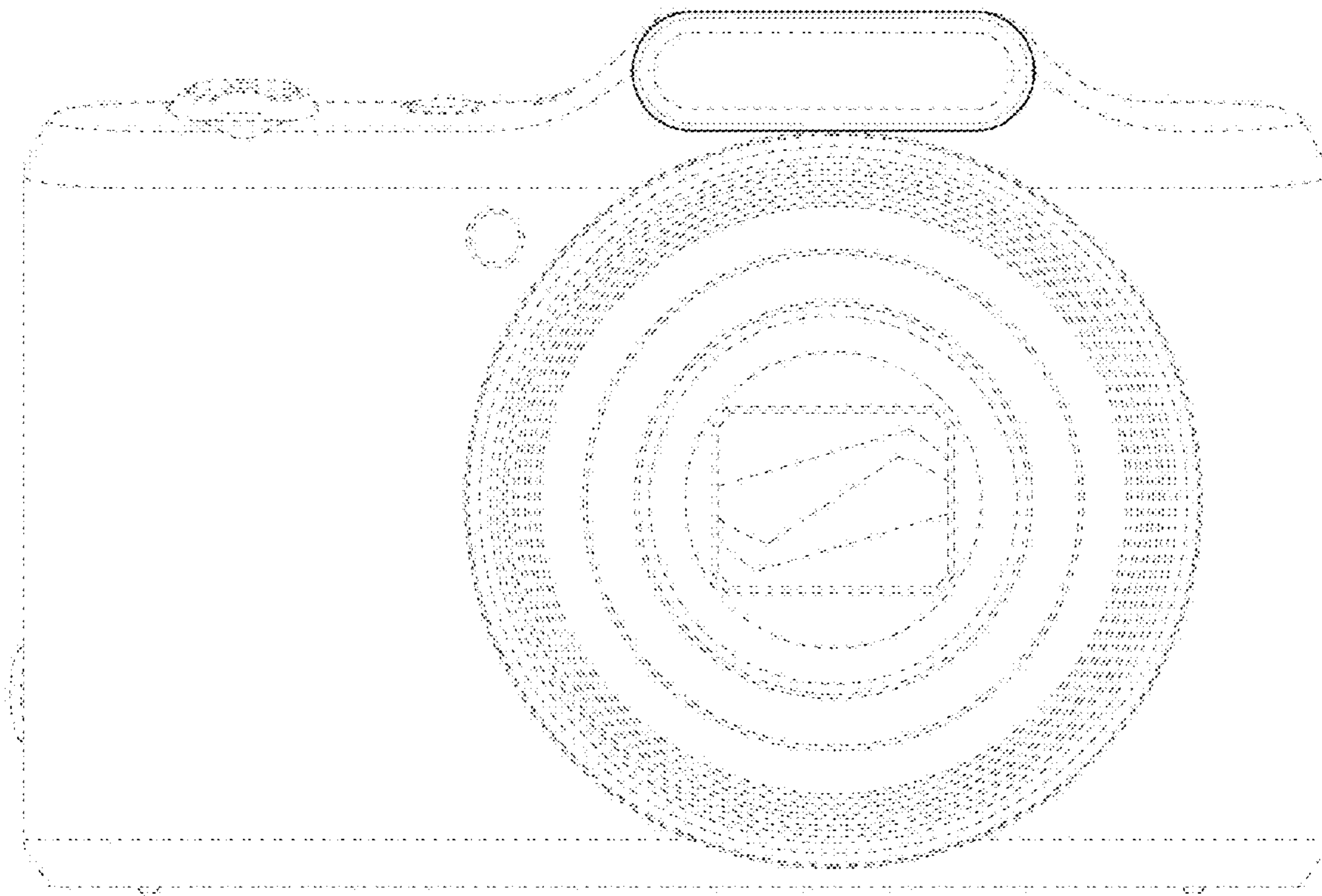


FIG.3

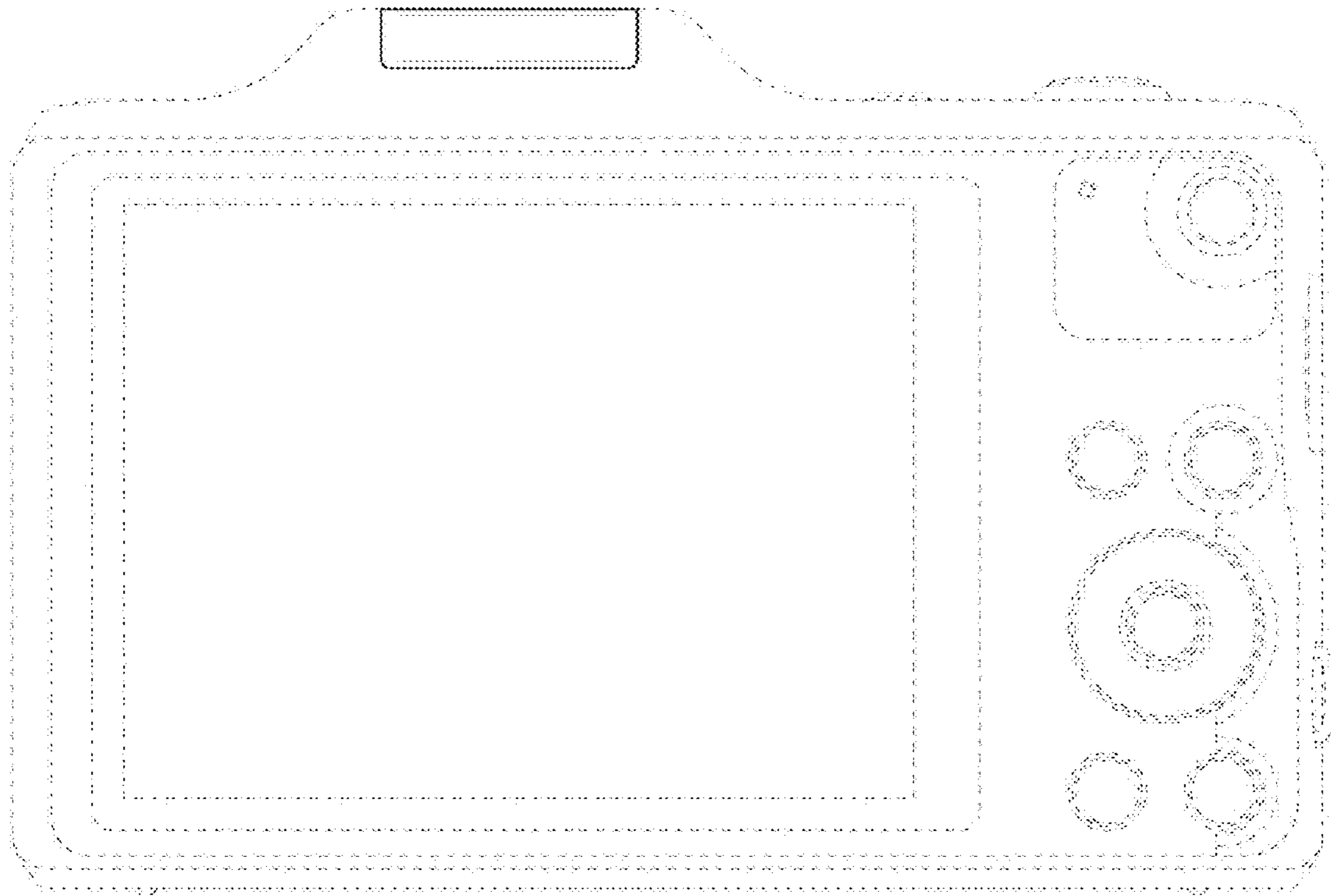


FIG.4

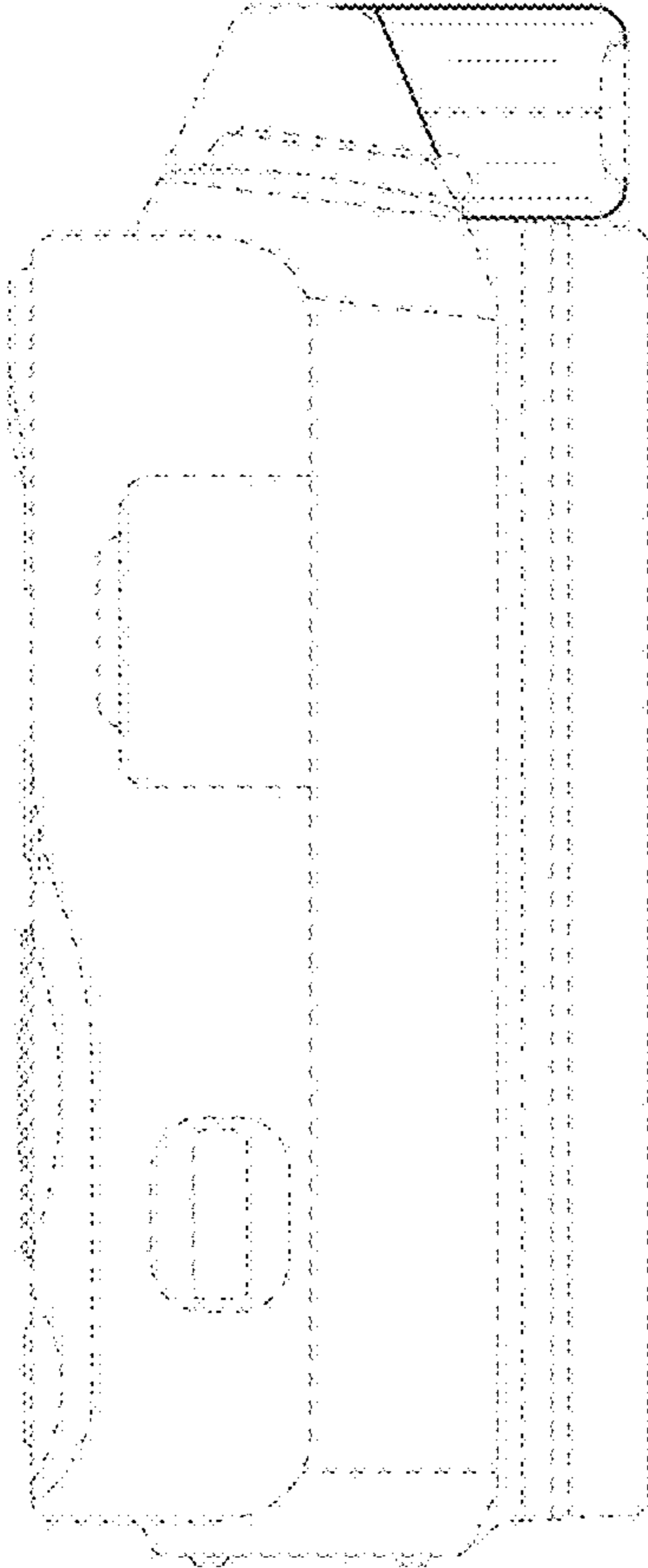


FIG.5

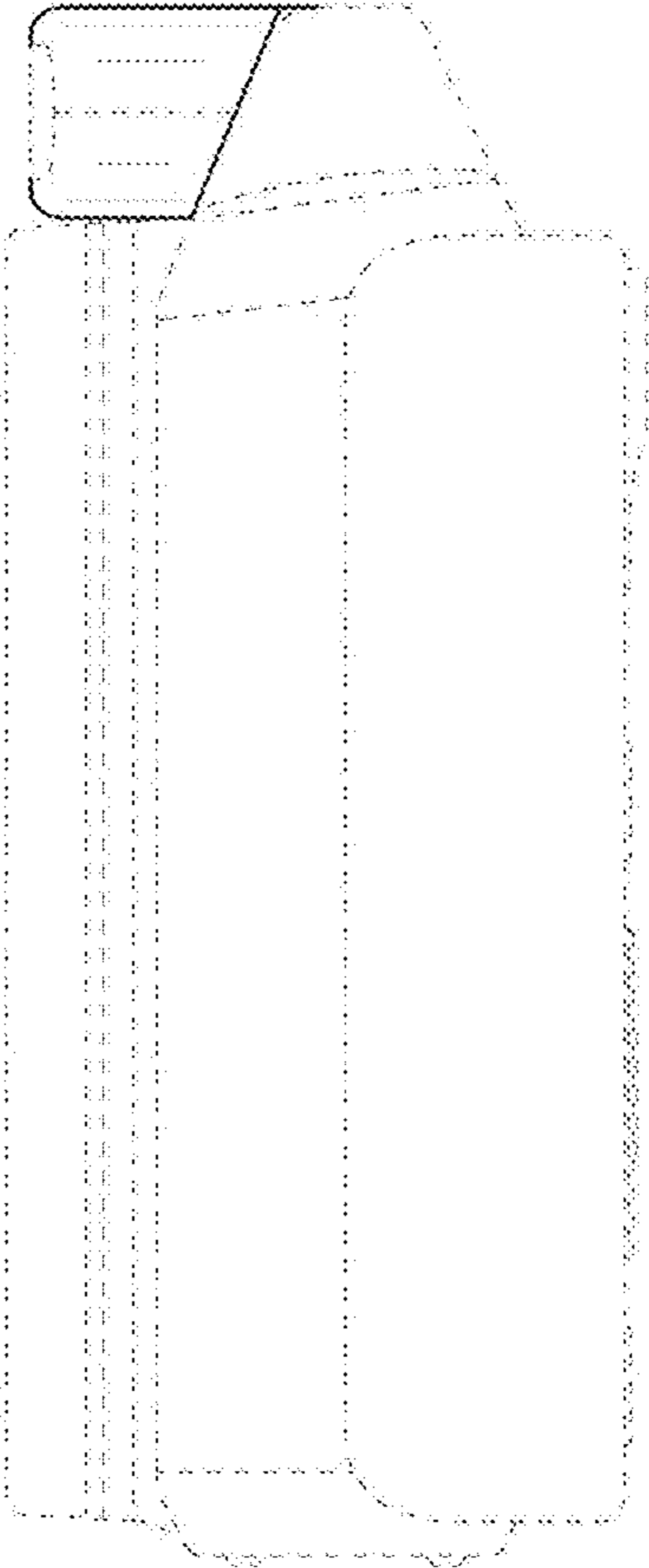


FIG.6

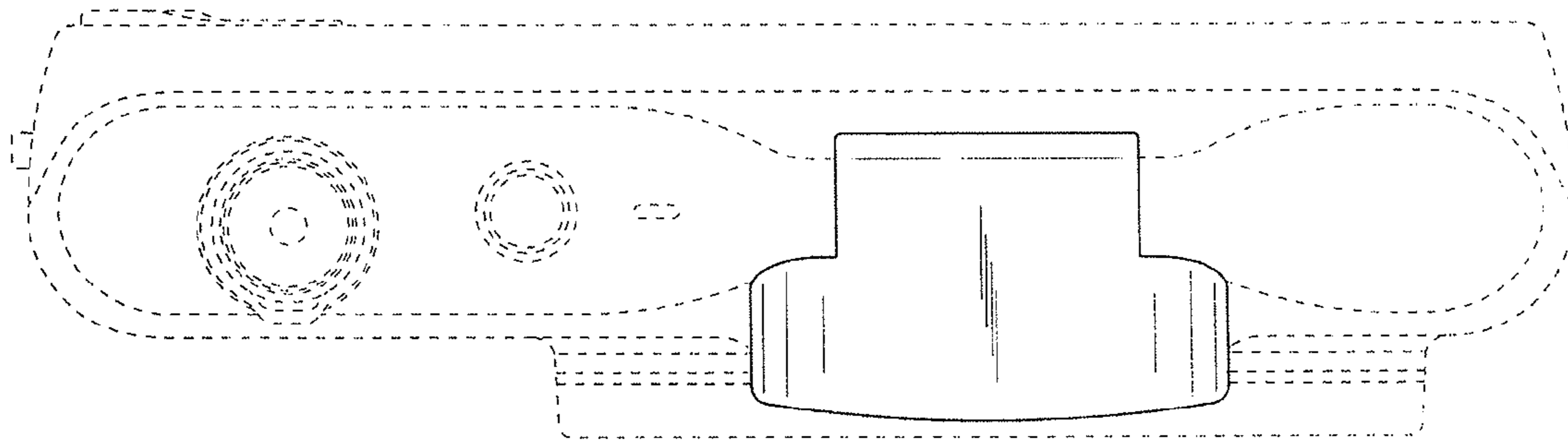


FIG.7

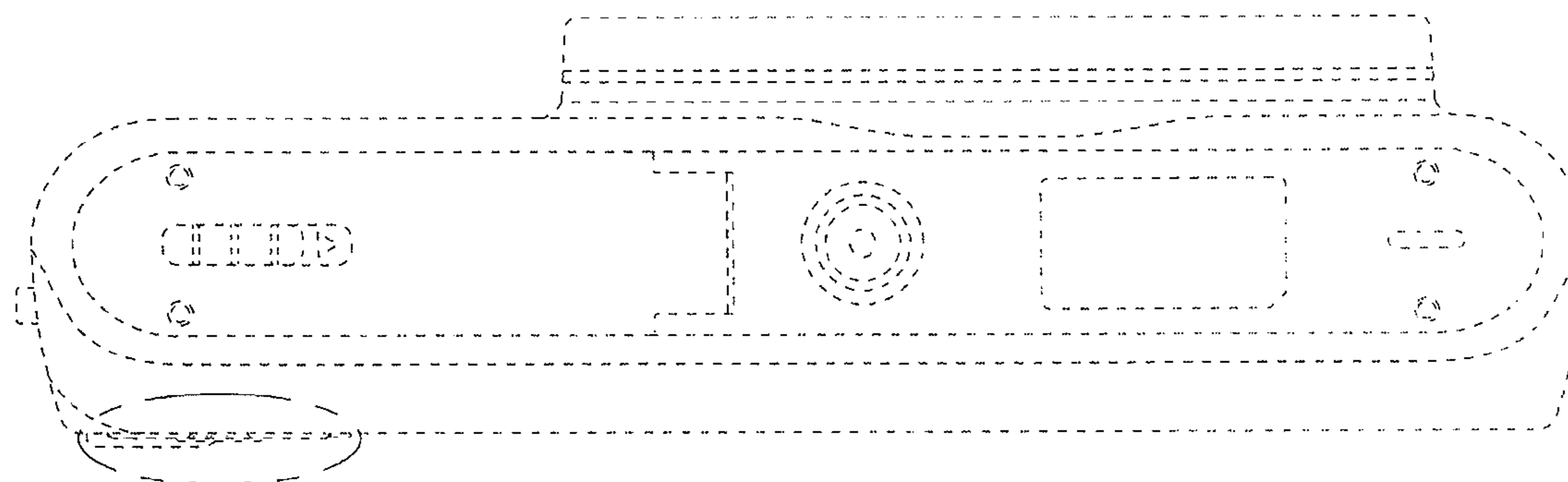


FIG.8

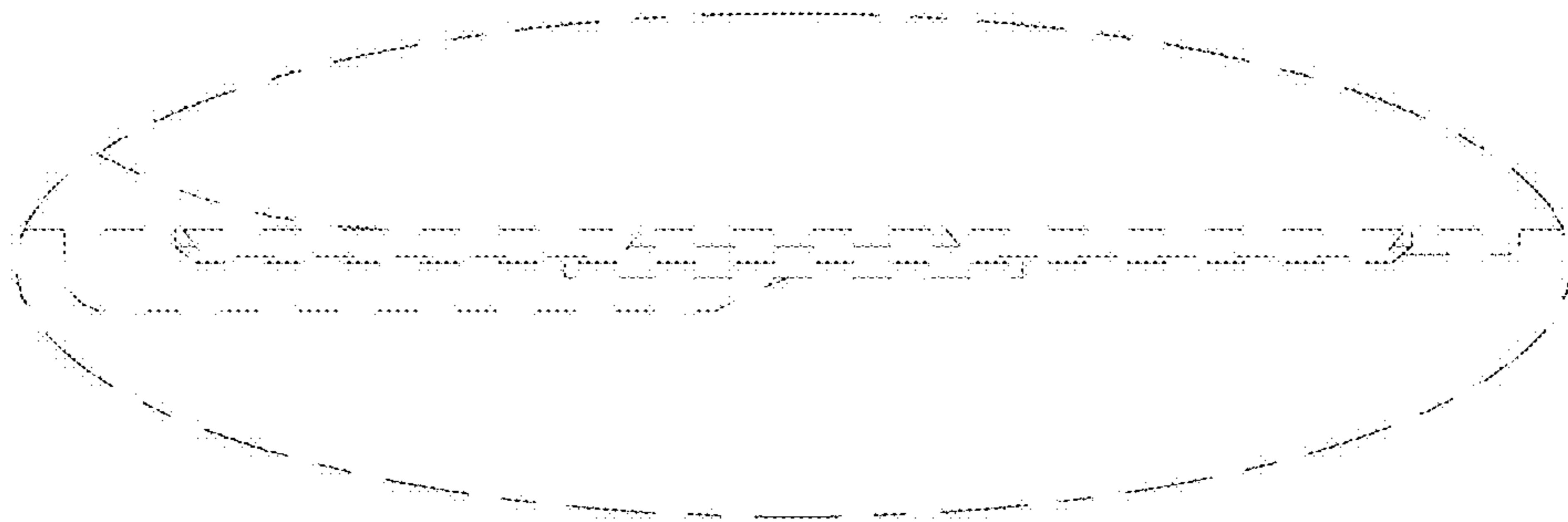


FIG.9

