



US00D738420S

(12) **United States Design Patent**
Lee et al.

(10) **Patent No.:** **US D738,420 S**
(45) **Date of Patent:** **** Sep. 8, 2015**

(54) **CAMERA**

(56) **References Cited**

(71) Applicant: **LG ELECTRONICS INC.**, Seoul (KR)

U.S. PATENT DOCUMENTS

(72) Inventors: **Hophil Lee**, Gyeonggi-do (KR);
Junseop Lee, Gyeonggi-do (KR);
Seungbeom Park, Gyeonggi-do (KR)

| | | | | | | |
|--------------|----|---|---------|----------------|-------|-----------|
| D436,960 | S | * | 1/2001 | Budd et al. | | D14/372 |
| D439,574 | S | * | 3/2001 | Katayama | | D14/203.5 |
| D659,740 | S | * | 5/2012 | Olsson et al. | | D16/300 |
| D665,008 | S | * | 8/2012 | Olsson et al. | | D16/309 |
| D680,147 | S | * | 4/2013 | Konishi et al. | | D16/208 |
| D697,962 | S | * | 1/2014 | Olsson | | D16/300 |
| D701,506 | S | * | 3/2014 | Pombo | | D14/372 |
| D711,373 | S | * | 8/2014 | Lee et al. | | D14/372 |
| D717,796 | S | * | 11/2014 | Olsson | | D14/372 |
| D718,304 | S | * | 11/2014 | Heinrich | | D14/372 |
| D718,765 | S | * | 12/2014 | Olsson | | D14/372 |
| 2010/0045928 | A1 | * | 2/2010 | Levy | | 351/158 |

(73) Assignee: **LG Electronics Inc.**, Seoul (KR)

(**) Term: **14 Years**

* cited by examiner

(21) Appl. No.: **29/487,725**

Primary Examiner — Susan E Krakower

(22) Filed: **Apr. 11, 2014**

Assistant Examiner — Ramzi Almatrahi

(30) **Foreign Application Priority Data**

(74) *Attorney, Agent, or Firm* — Morgan, Lewis & Bockius LLP

Oct. 15, 2013 (KR) 30-2013-0052105

(51) **LOC (10) Cl.** **16-01**

(57) **CLAIM**

The ornamental design for a camera, as shown and described.

(52) **U.S. Cl.**

DESCRIPTION

USPC **D16/208**; D14/372

(58) **Field of Classification Search**

USPC D14/129, 203.5, 203.6, 372, 496;
D16/200–204, 208, 218, 219, 300,
D16/309; 181/129, 130, 198; 348/148, 151,
348/373–376; 351/158; 455/569.1, 575.1,
455/575.2

FIG. 1 is a perspective view of a camera showing our new design;
FIG. 2 is a front view thereof;
FIG. 3 is a rear view thereof;
FIG. 4 is a left side view thereof;
FIG. 5 is a right side view thereof;
FIG. 6 is a top plan view thereof;
FIG. 7 is a bottom plan view thereof; and,
FIG. 8 is a reduced left side view thereof, showing the camera in the state of use.

CPC ... G10K 11/02; G10K 11/004; H04R 1/1008;
H04N 5/2251; H04N 5/2252; H04N 5/2253;
H04N 5/2254; H04M 1/0214; H04M 1/23;
H04M 1/6066

The broken lines in FIG. 8 are for environmental purpose only and form no part of the claimed design.

See application file for complete search history.

1 Claim, 8 Drawing Sheets

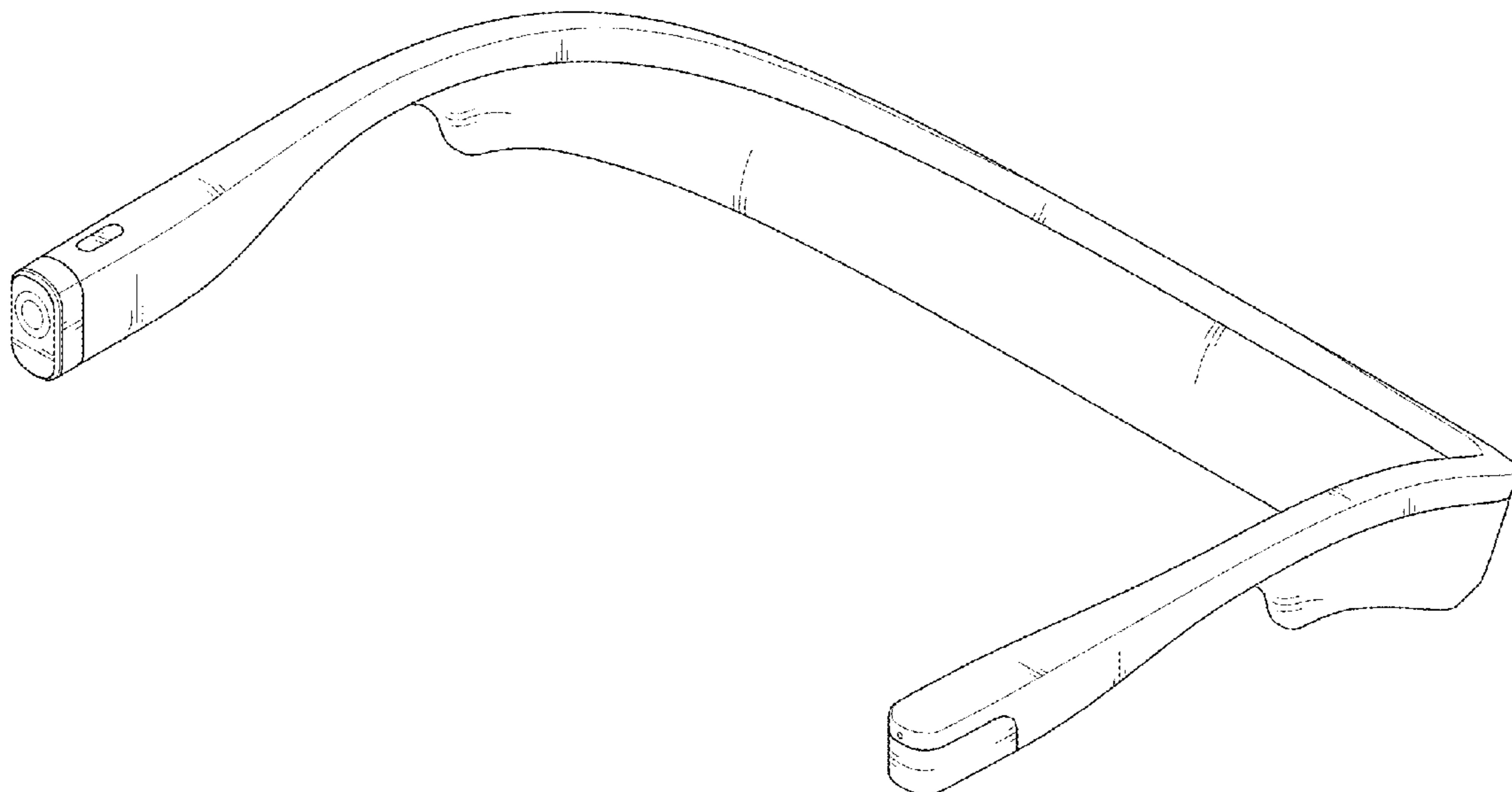


FIG. 1

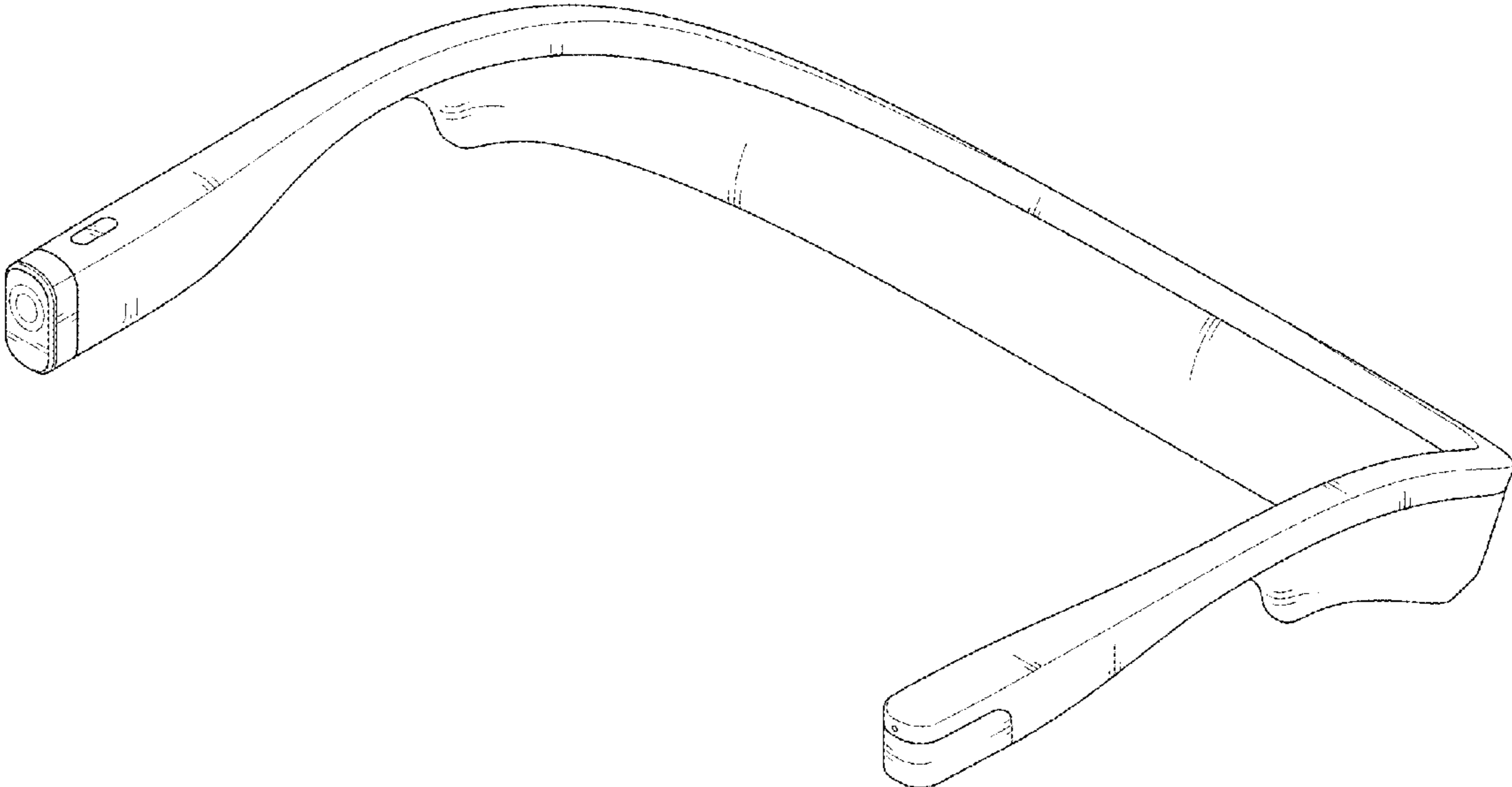


FIG. 2

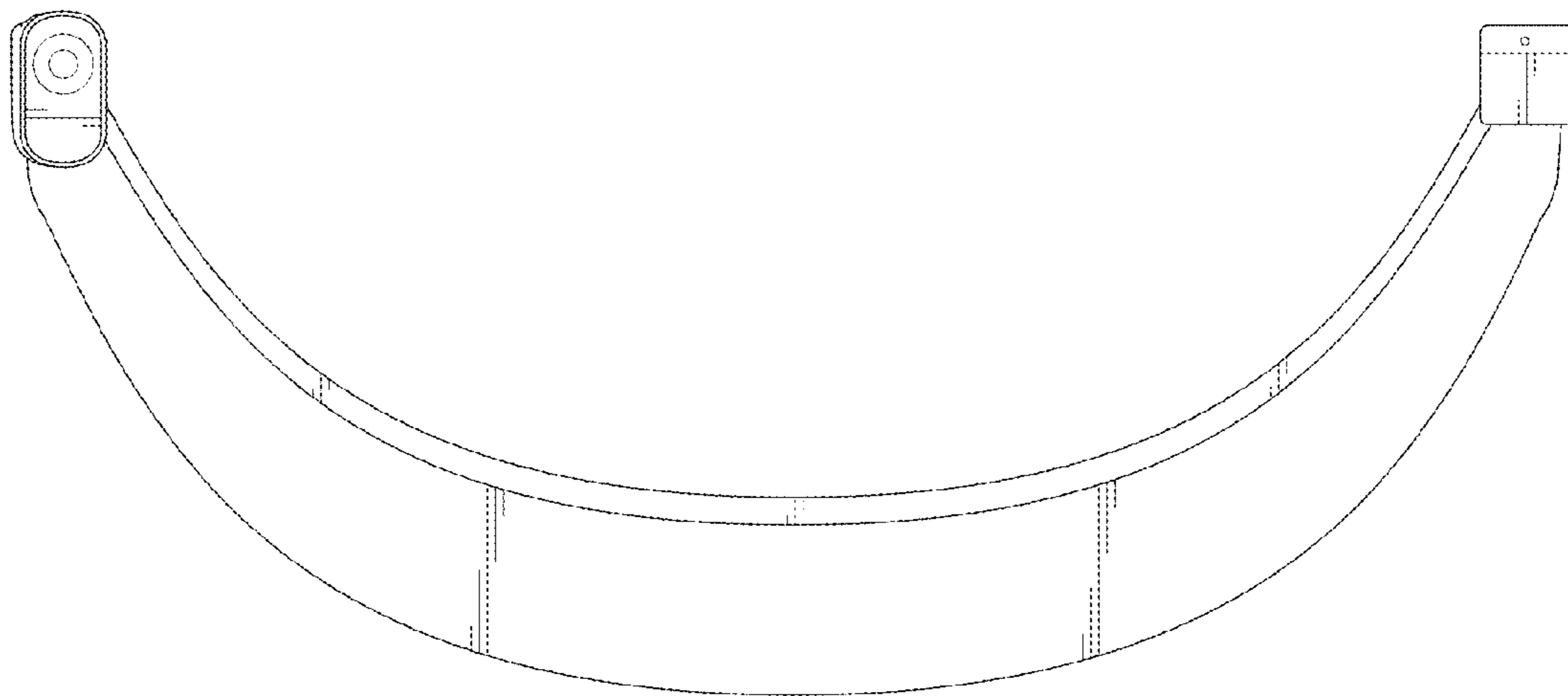


FIG. 3

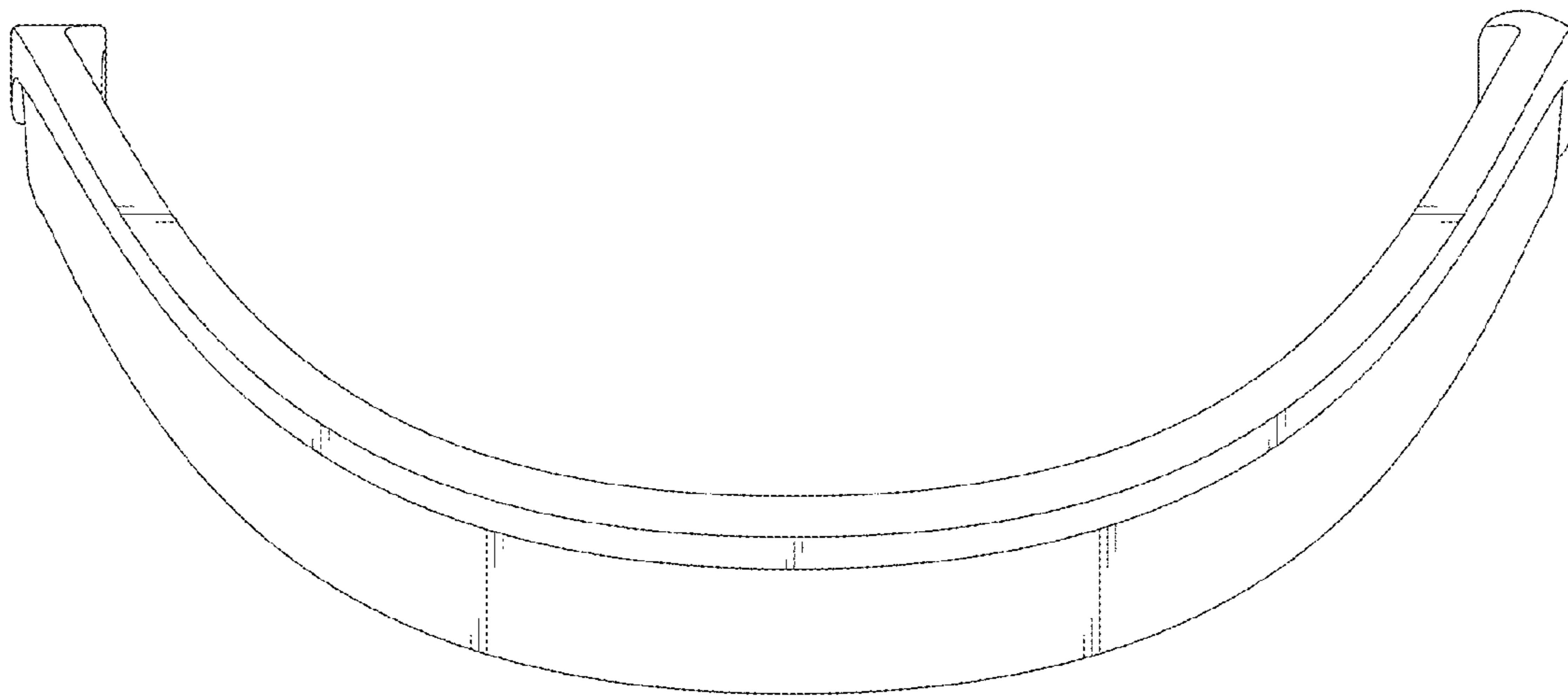


FIG. 4

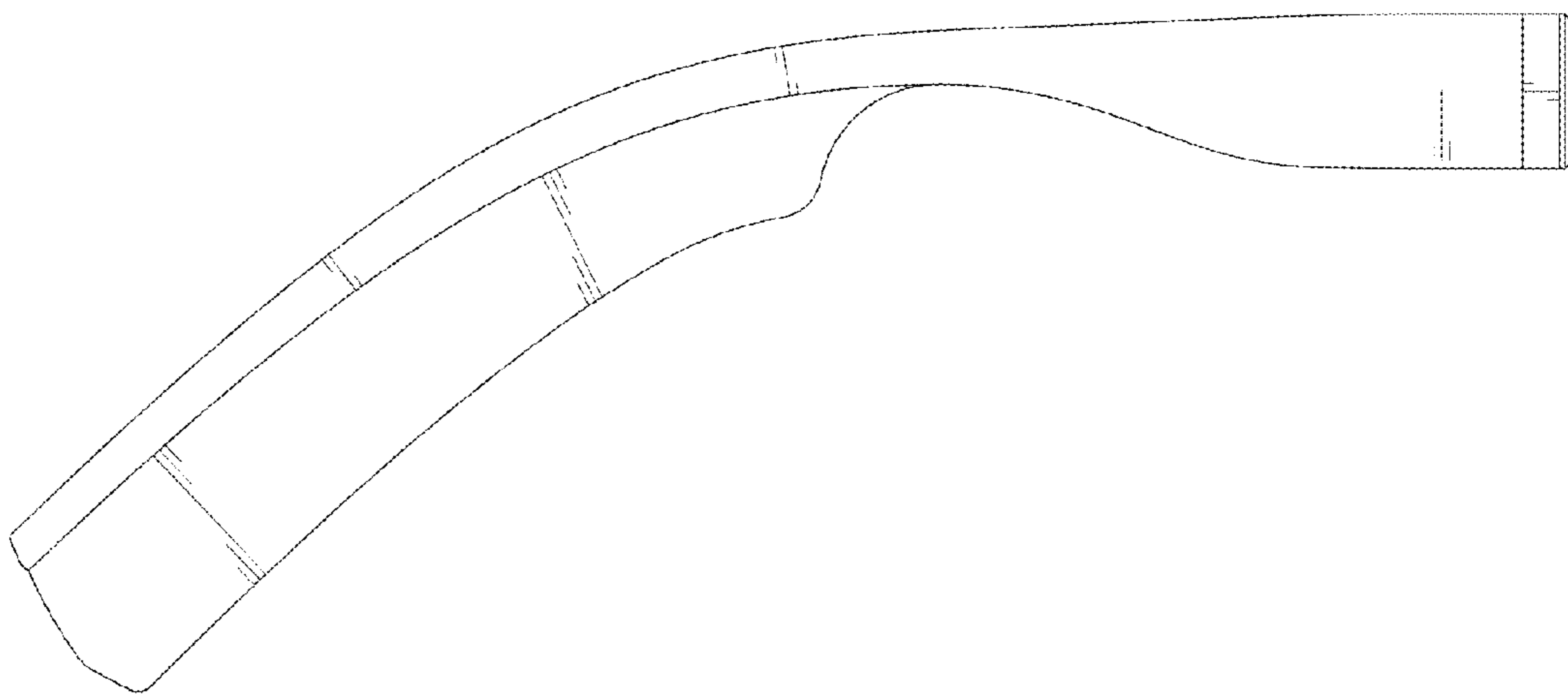


FIG. 5

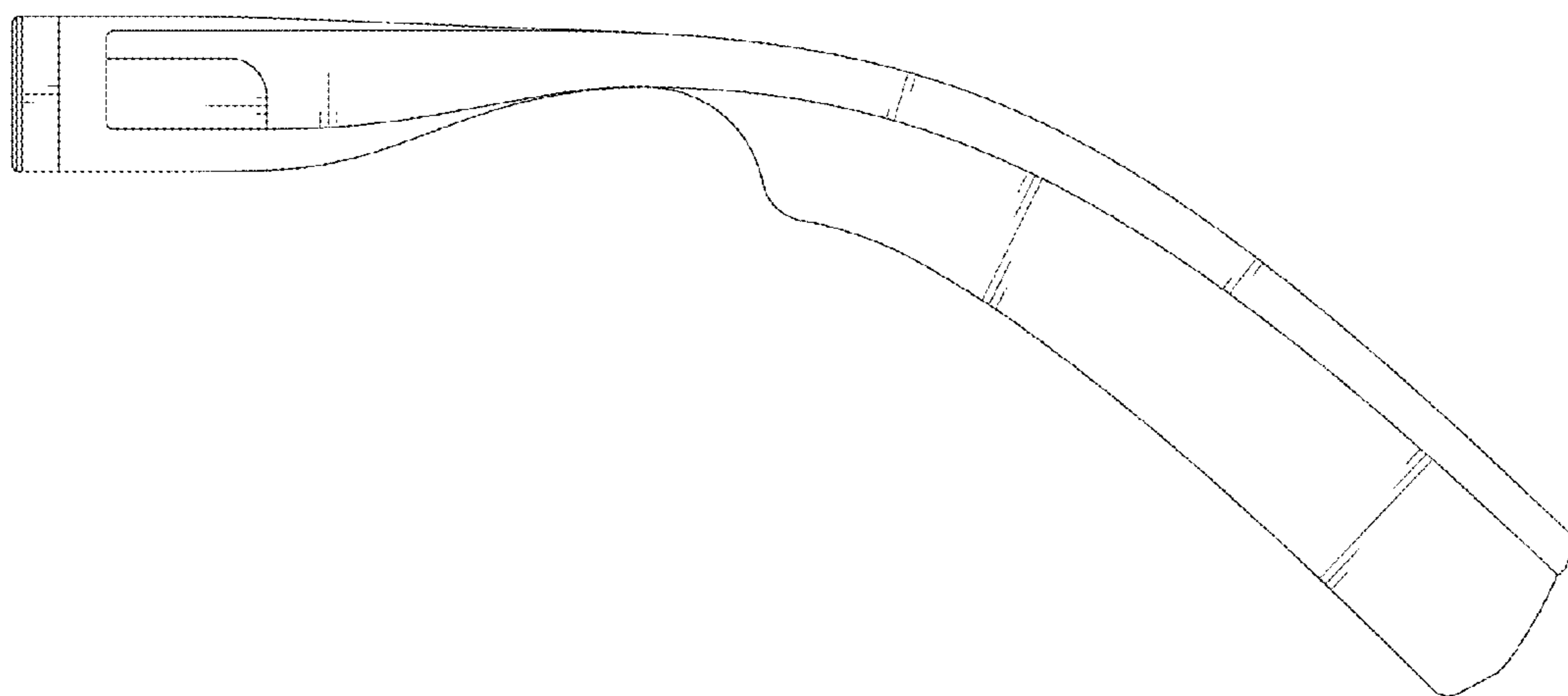


FIG. 6

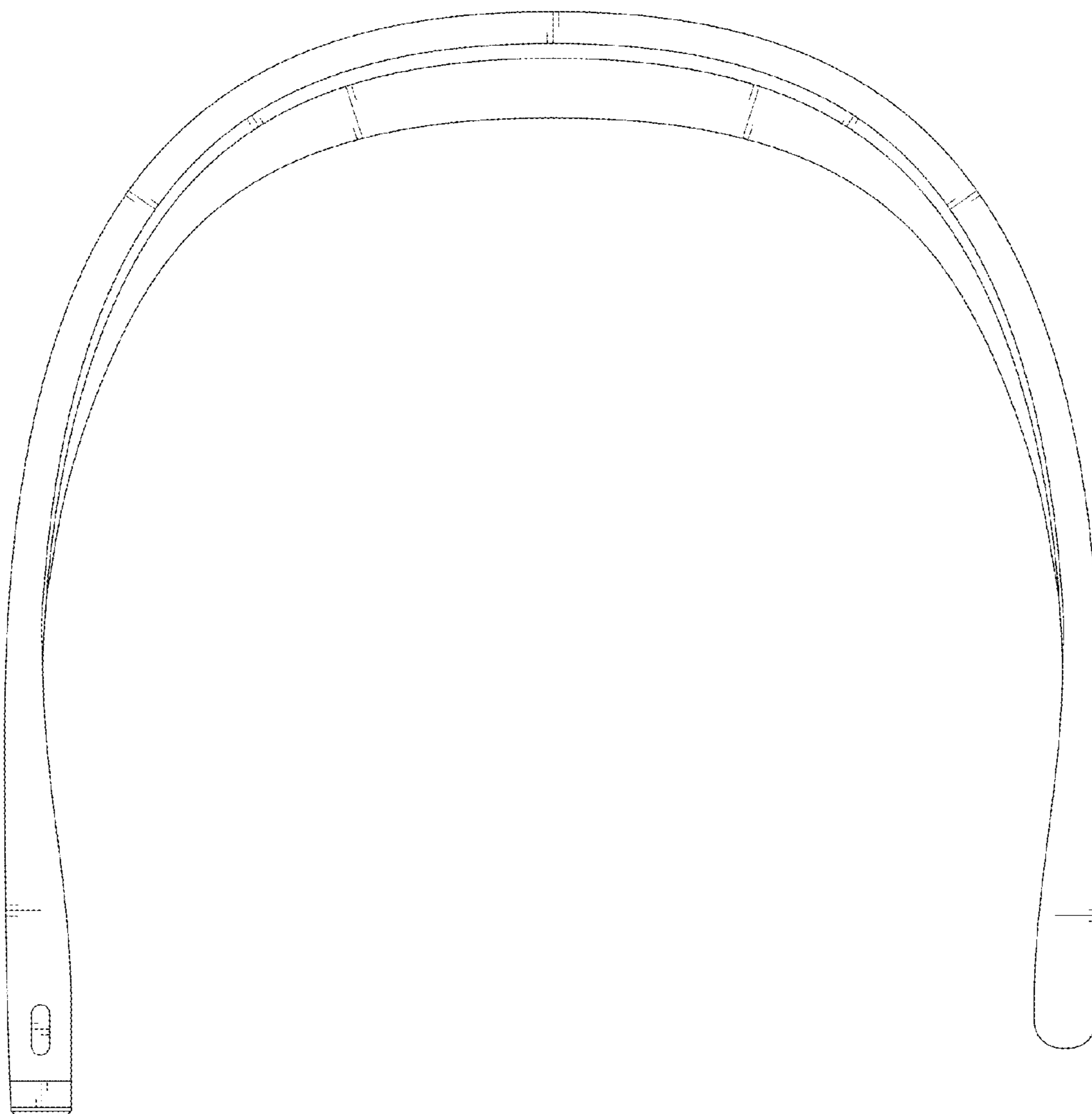


FIG. 7

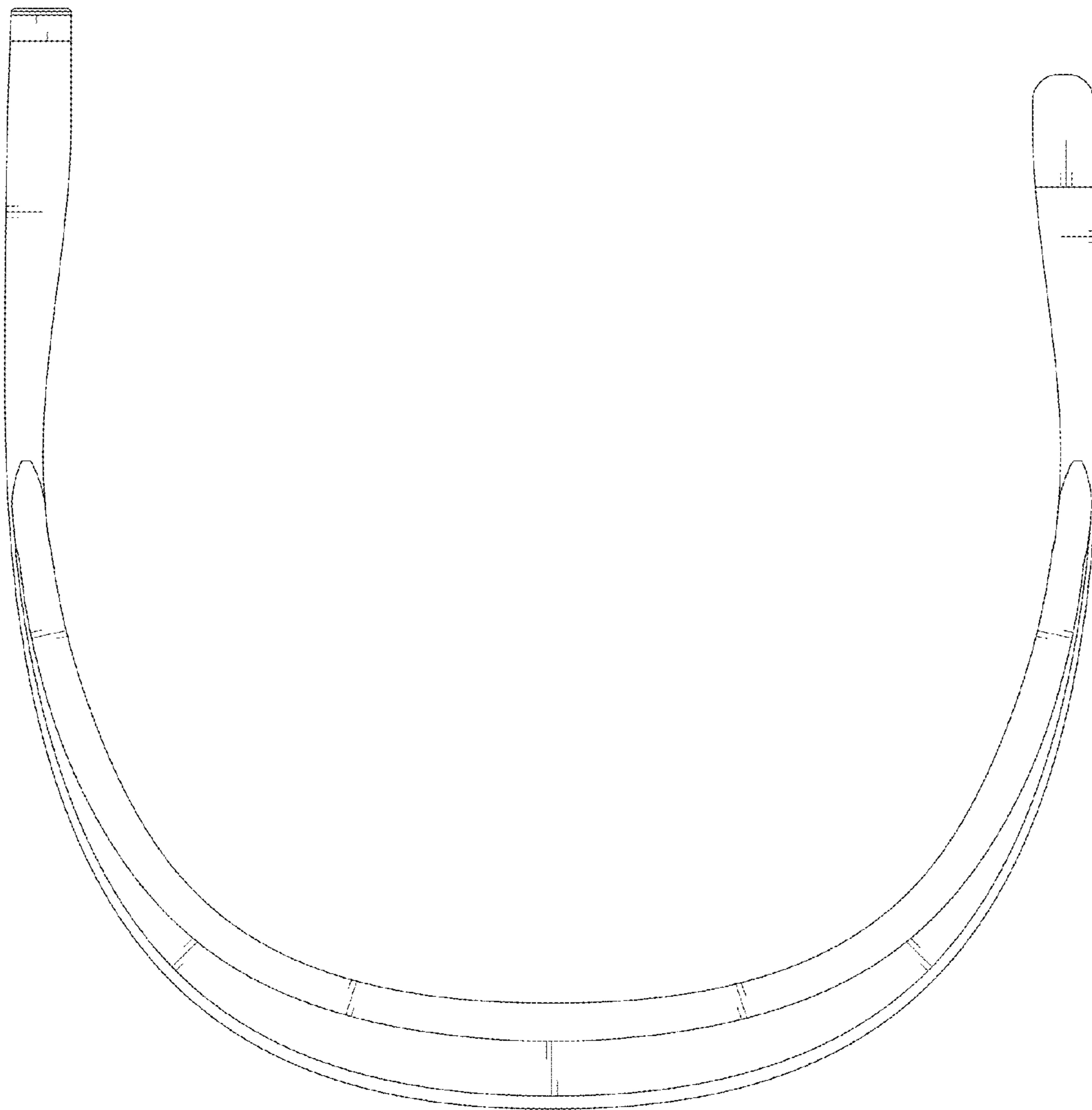


FIG. 8

