



US00D738419S

(12) **United States Design Patent**
Lee et al.

(10) **Patent No.:** **US D738,419 S**
(45) **Date of Patent:** **** Sep. 8, 2015**

(54) **CAMERA**

(56) **References Cited**

(71) Applicant: **Samsung Electronics Co., Ltd.**,
Suwon-si, Gyeonggi-do (KR)
(72) Inventors: **Joo-Hyung Lee**, Seoul (KR); **Jörg**
Tragatschnig, Zell am See (AT);
Eui-Hoon Kim, Uiwang-si (KR);
Byung-Wook Chin, Seoul (KR)
(73) Assignee: **Samsung Electronics Co., Ltd.**,
Suwon-si (KR)
(**) Term: **14 Years**

U.S. PATENT DOCUMENTS

5,305,031	A *	4/1994	Hayakawa	396/26
6,477,329	B2 *	11/2002	Weng et al.	396/287
D553,657	S *	10/2007	Bai	D16/202
D555,688	S *	11/2007	Yoo et al.	D16/202
D555,689	S *	11/2007	Yoo et al.	D16/202
D556,229	S *	11/2007	Bai	D16/202
D695,802	S *	12/2013	Kim et al.	D16/200
D695,803	S *	12/2013	Kyunghan et al.	D16/202
D701,892	S *	4/2014	Jang et al.	D16/202
D712,948	S *	9/2014	Chai	D16/202
D712,949	S *	9/2014	Kwon et al.	D16/202
D713,869	S *	9/2014	Kim	D16/202
2014/0340576	A1 *	11/2014	Kim et al.	348/375

* cited by examiner

Primary Examiner — Susan E Krakower

Assistant Examiner — Ramzi Almatrahi

(74) *Attorney, Agent, or Firm* — Ladas & Parry LLP

(21) Appl. No.: **29/491,608**

(22) Filed: **May 22, 2014**

(30) **Foreign Application Priority Data**

Nov. 22, 2013 (KR) 30-2013-0058946

(51) **LOC (10) Cl.** **16-01**

(52) **U.S. Cl.**
USPC **D16/202**

(58) **Field of Classification Search**
USPC D16/200, 202–206, 208–209, 212, 218,
D16/219; 348/373–376; 396/26, 287, 535,
396/539–541
CPC G03B 15/03; G03B 17/02; G03B 17/04;
G03B 17/56; G03B 19/04; H04N 5/2251;
H04N 5/2252; H04N 5/2253; H04N 5/2254;
H04N 2101/00

See application file for complete search history.

(57) **CLAIM**

The ornamental design for a camera, as shown and described.

DESCRIPTION

FIG. 1 is a perspective view of a camera showing our new design;

FIG. 2 is a front view thereof;

FIG. 3 is a rear view thereof;

FIG. 4 is a left side view thereof;

FIG. 5 is a right side view thereof;

FIG. 6 is a top view thereof; and,

FIG. 7 is a bottom view thereof.

The broken lines depict portions of a camera in which the design is embodied and form no part of the claimed design.

1 Claim, 4 Drawing Sheets

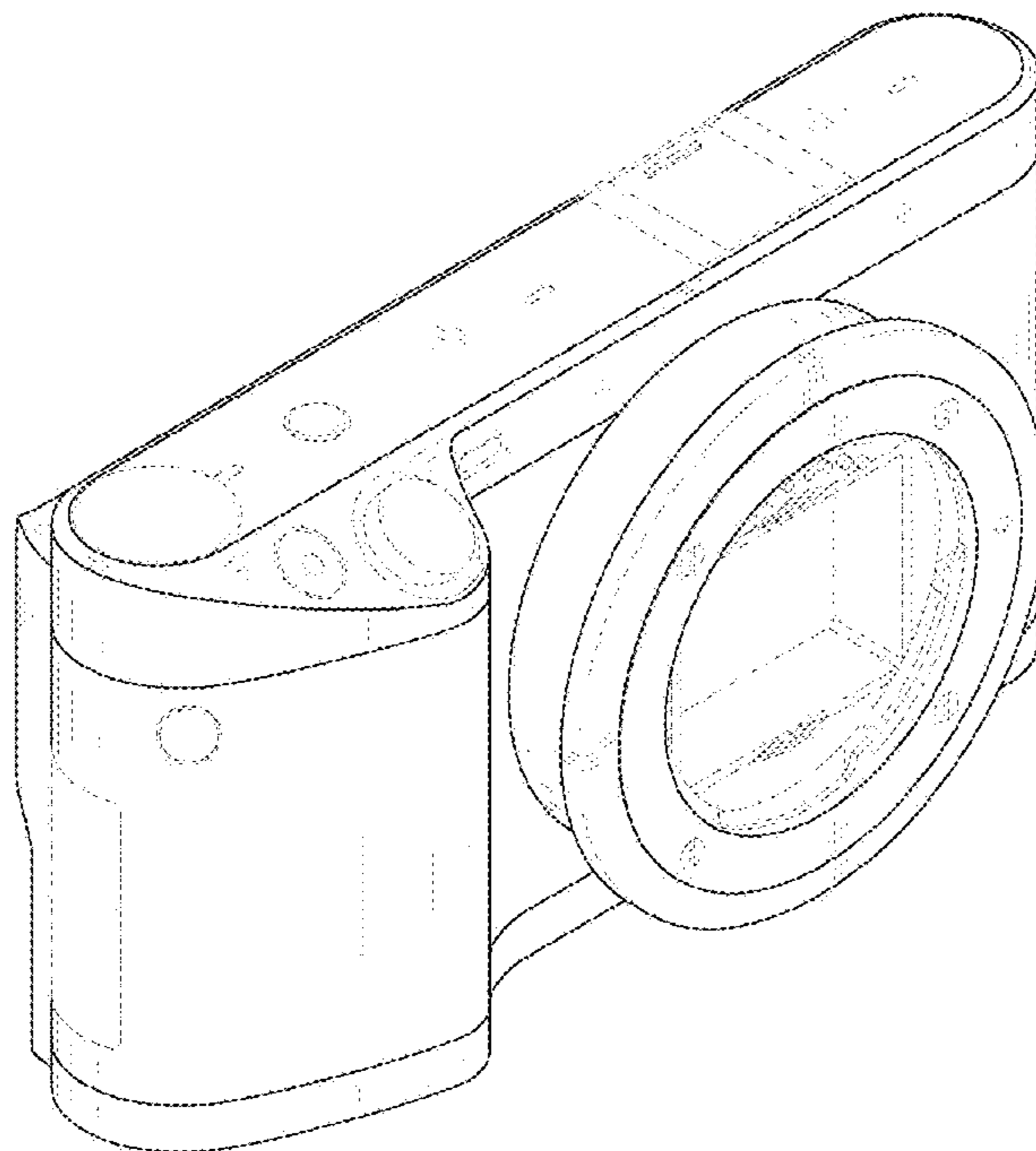


FIG. 1

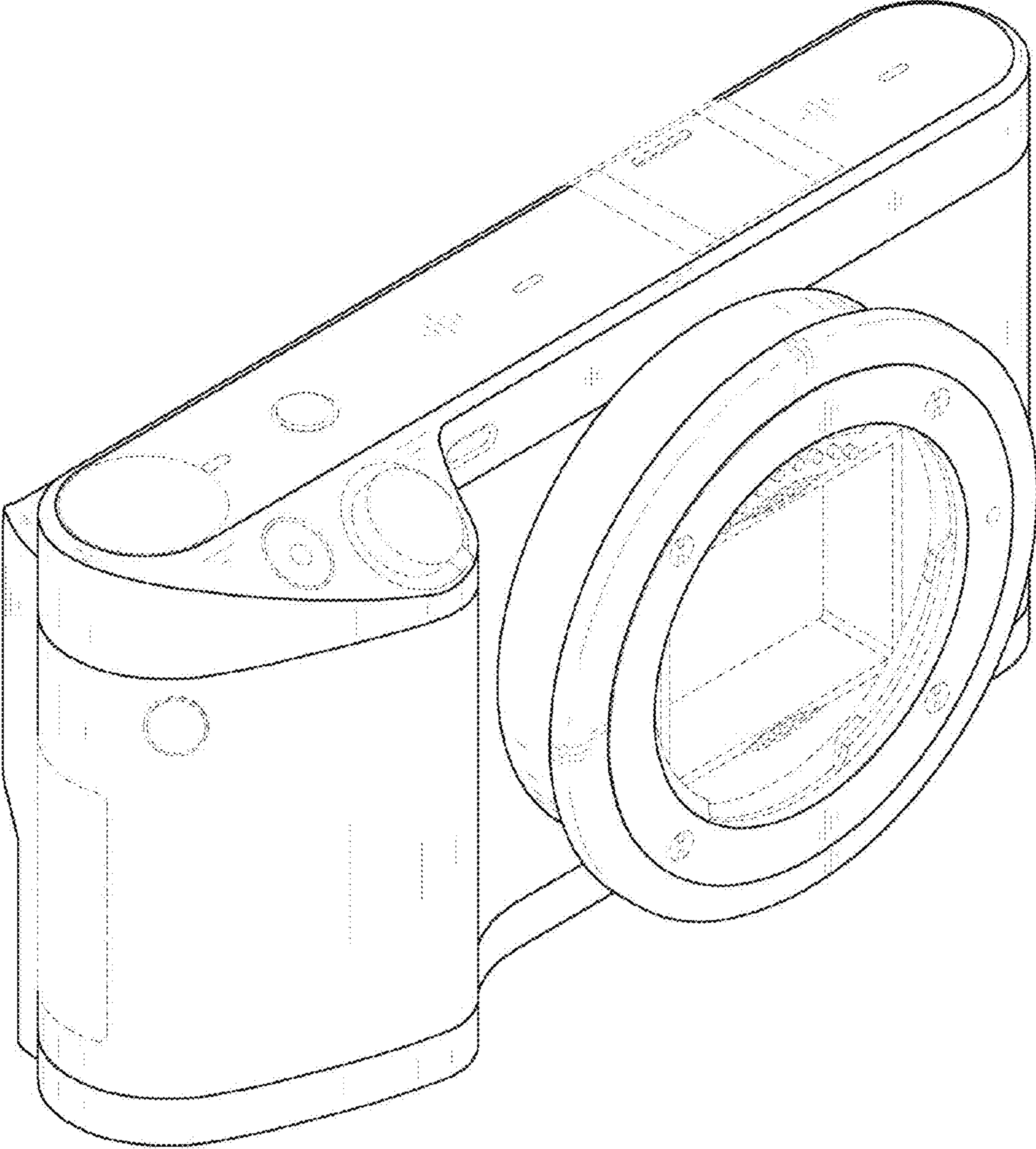


FIG. 2

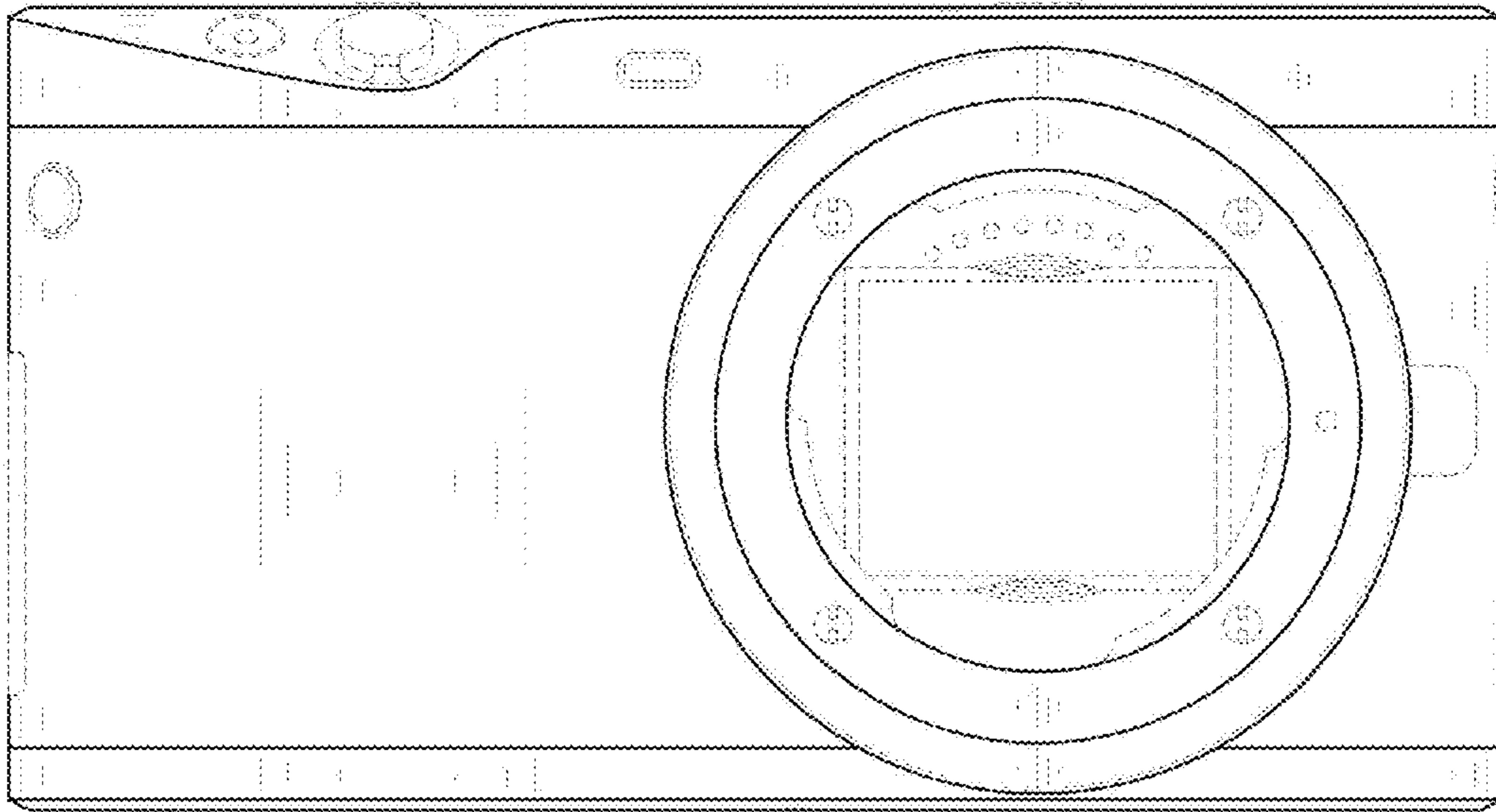


FIG. 3

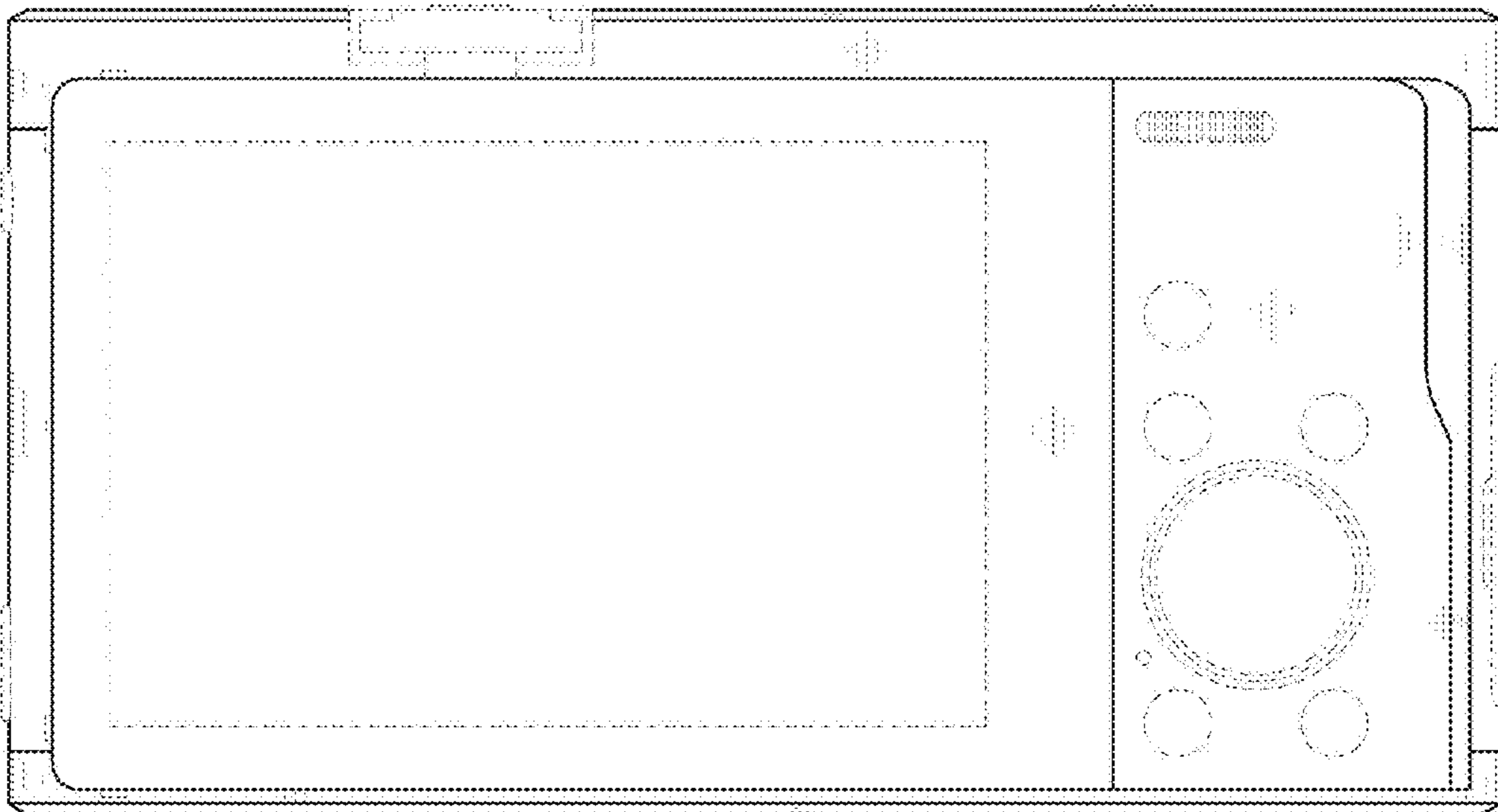


FIG. 4

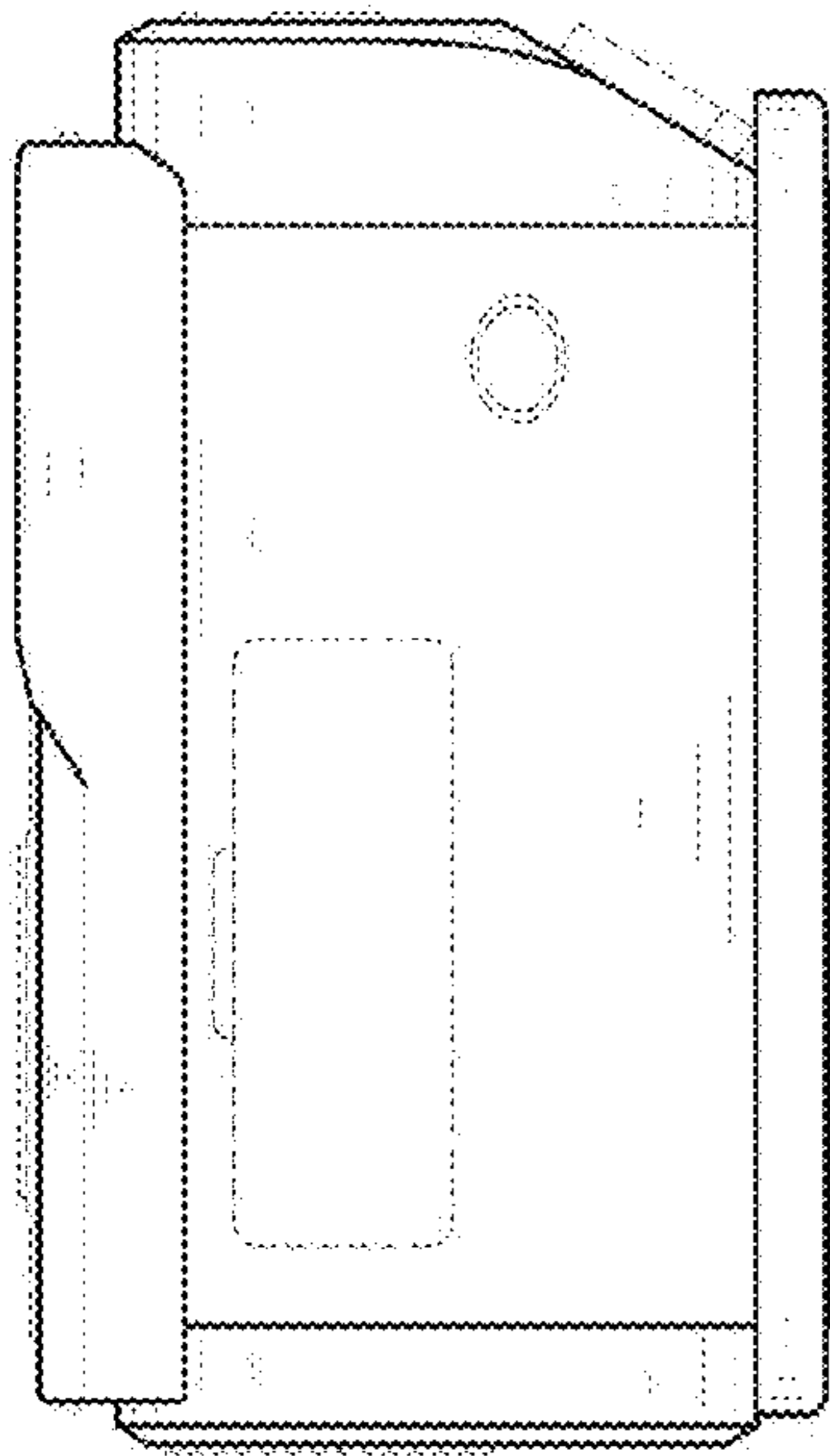


FIG. 5

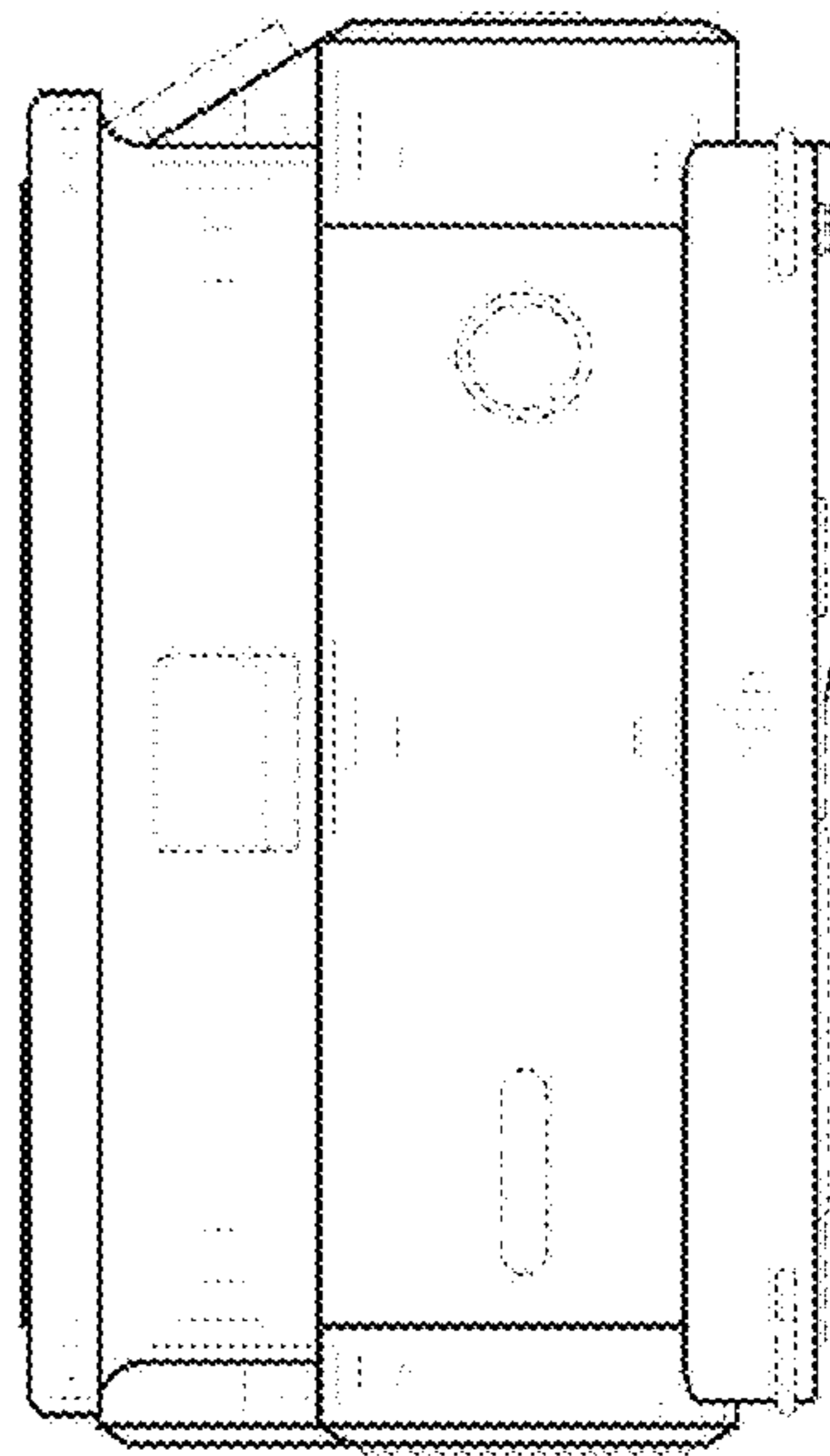


FIG. 6

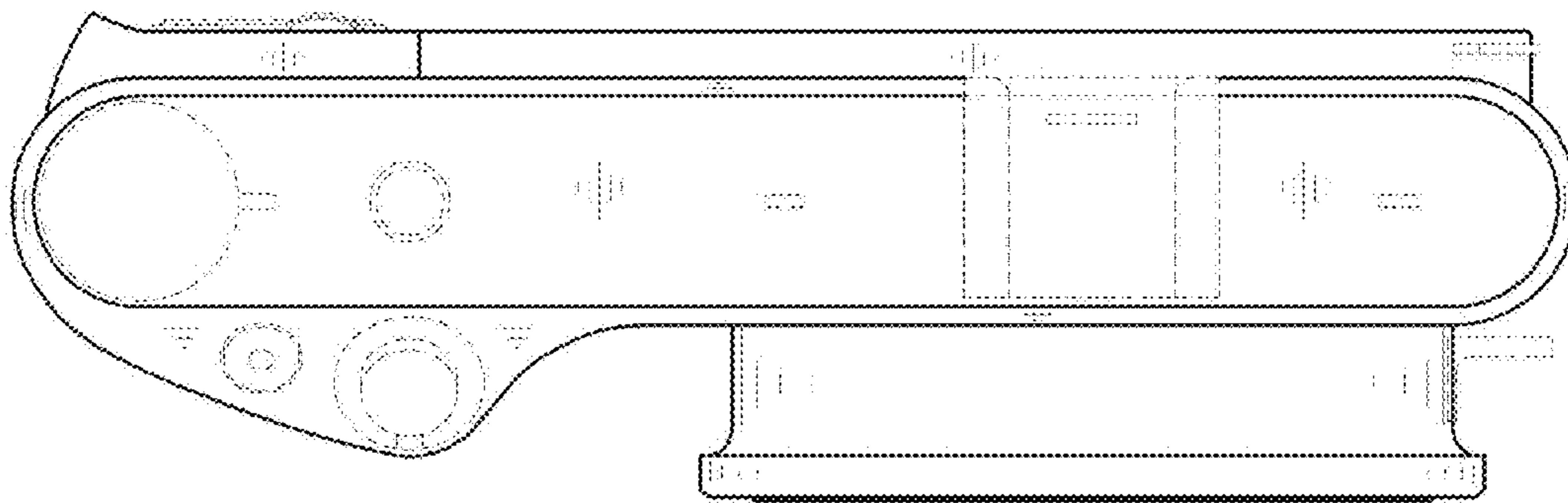


FIG. 7

