



US00D738418S

(12) **United States Design Patent**  
**Imai**

(10) **Patent No.:** **US D738,418 S**  
(45) **Date of Patent:** **\*\* Sep. 8, 2015**

(54) **DIGITAL CAMERA**

(71) Applicant: **FUJIFILM Corporation**, Minato-Ku,  
Tokyo (JP)

(72) Inventor: **Masazumi Imai**, Minato-ku (JP)

(73) Assignee: **FUJIFILM Corporation**, Tokyo (JP)

(\*\*) Term: **14 Years**

(21) Appl. No.: **29/491,559**

(22) Filed: **May 22, 2014**

(30) **Foreign Application Priority Data**

Nov. 29, 2013 (JP) ..... 2013-028154

(51) **LOC (10) Cl.** ..... **16-01**

(52) **U.S. Cl.**  
USPC ..... **D16/202; D16/217**

(58) **Field of Classification Search**  
USPC ..... D16/200, 202, 206, 216-219;  
348/373-376; 396/176, 177, 354-358,  
396/535, 538, 540

CPC ..... G03B 15/03; G03B 17/02; G03B 17/56;  
G03B 19/04; H04N 5/2251; H04N 5/2254;  
H04N 2101/00

See application file for complete search history.

(56) **References Cited**

**U.S. PATENT DOCUMENTS**

D413,346 S \* 8/1999 Haga ..... D16/217  
6,351,609 B1 \* 2/2002 Hosokawa et al. .... 396/177

D542,321 S \* 5/2007 Takahashi ..... D16/217  
D558,812 S \* 1/2008 Takahashi ..... D16/217  
D559,291 S \* 1/2008 Hayashi ..... D16/202  
D564,561 S \* 3/2008 Takahashi ..... D16/217  
D609,730 S \* 2/2010 Nakamura ..... D16/202  
8,348,526 B2 \* 1/2013 Shintani ..... 396/357  
D681,090 S \* 4/2013 Tainaka ..... D16/200  
D720,787 S \* 1/2015 Tainaka ..... D16/202

\* cited by examiner

*Primary Examiner* — Adir Aronovich

(74) *Attorney, Agent, or Firm* — Sughrue Mion, PLLC

(57) **CLAIM**

The ornamental design for a digital camera, as shown and described.

**DESCRIPTION**

FIG. 1 is a top, front and right side perspective view of a digital camera showing my new design; FIG. 2 is a top, rear and left side perspective view thereof; FIG. 3 is front elevational view thereof; FIG. 4 is rear elevational view thereof; FIG. 5 is a top plan view thereof; FIG. 6 is a bottom plan view thereof; FIG. 7 is a left side elevational view thereof; FIG. 8 is a right side elevational view thereof; and, FIG. 9 is a top, front and right side perspective view of the digital camera shown in use with the lens attached. The lens portion is shown to illustrate environment only and form no part of the claimed design. The broken lines showing the portions of the digital camera in all views are for illustrative purposes only and form no part of the claimed design.

**1 Claim, 9 Drawing Sheets**

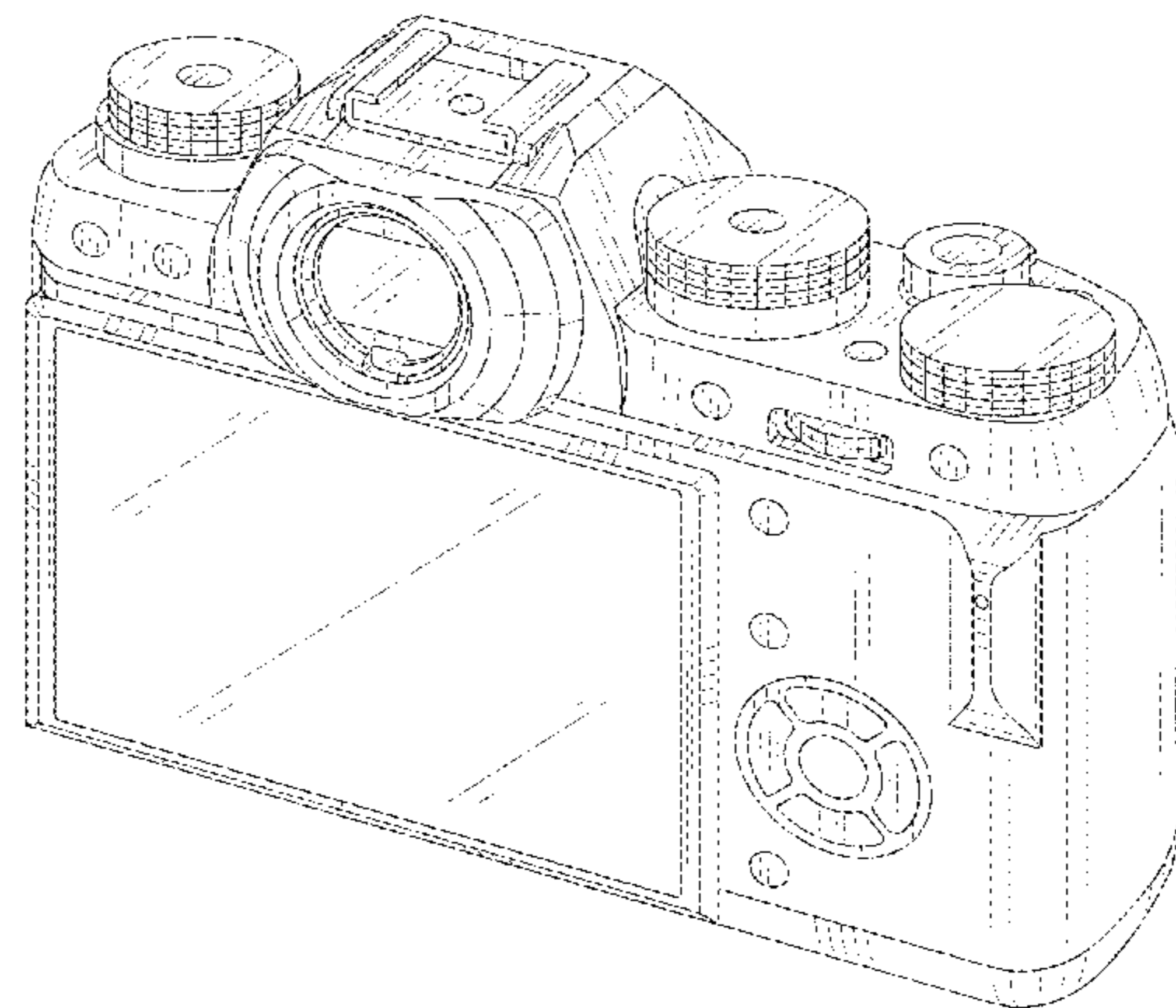
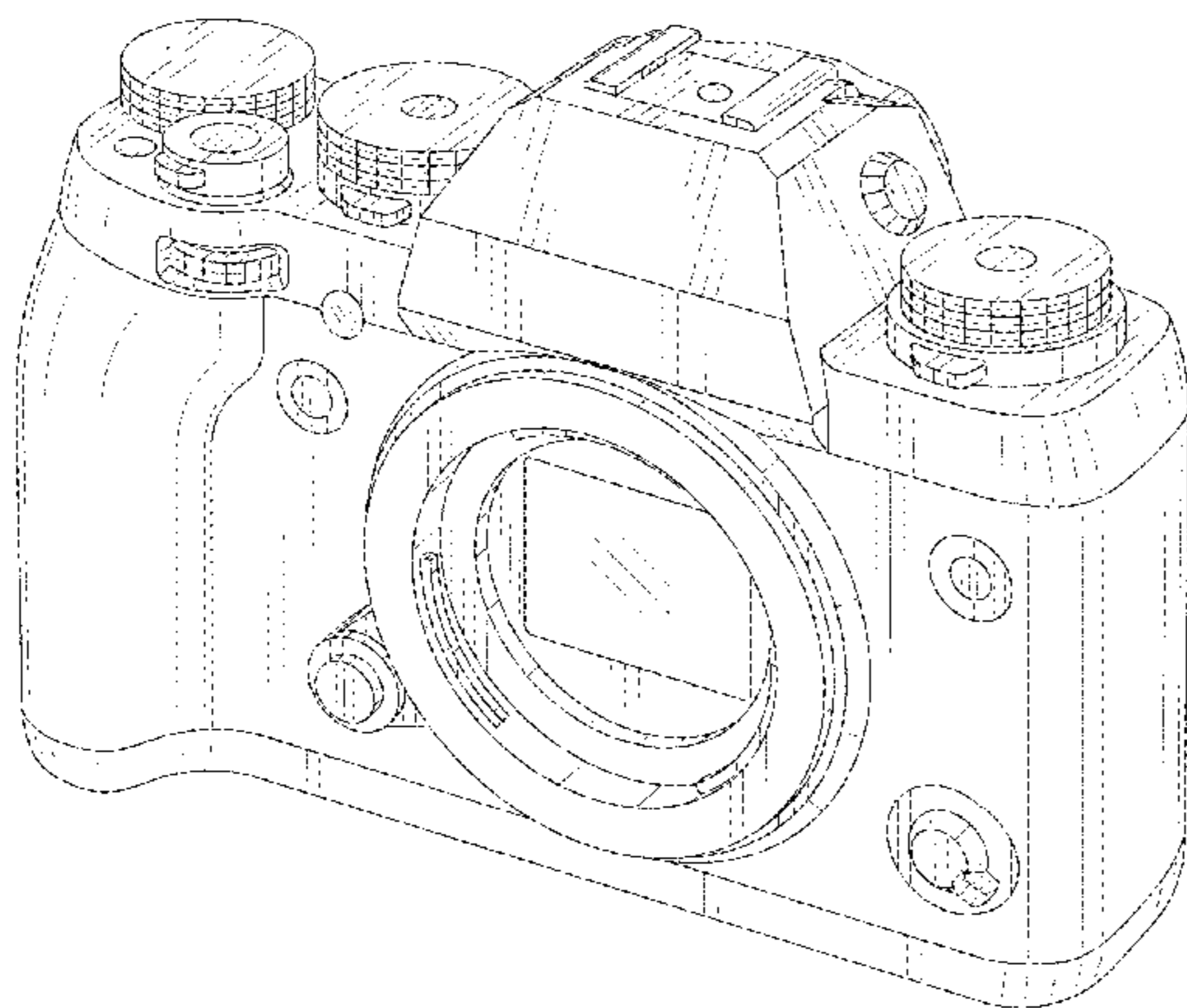


FIG. 1

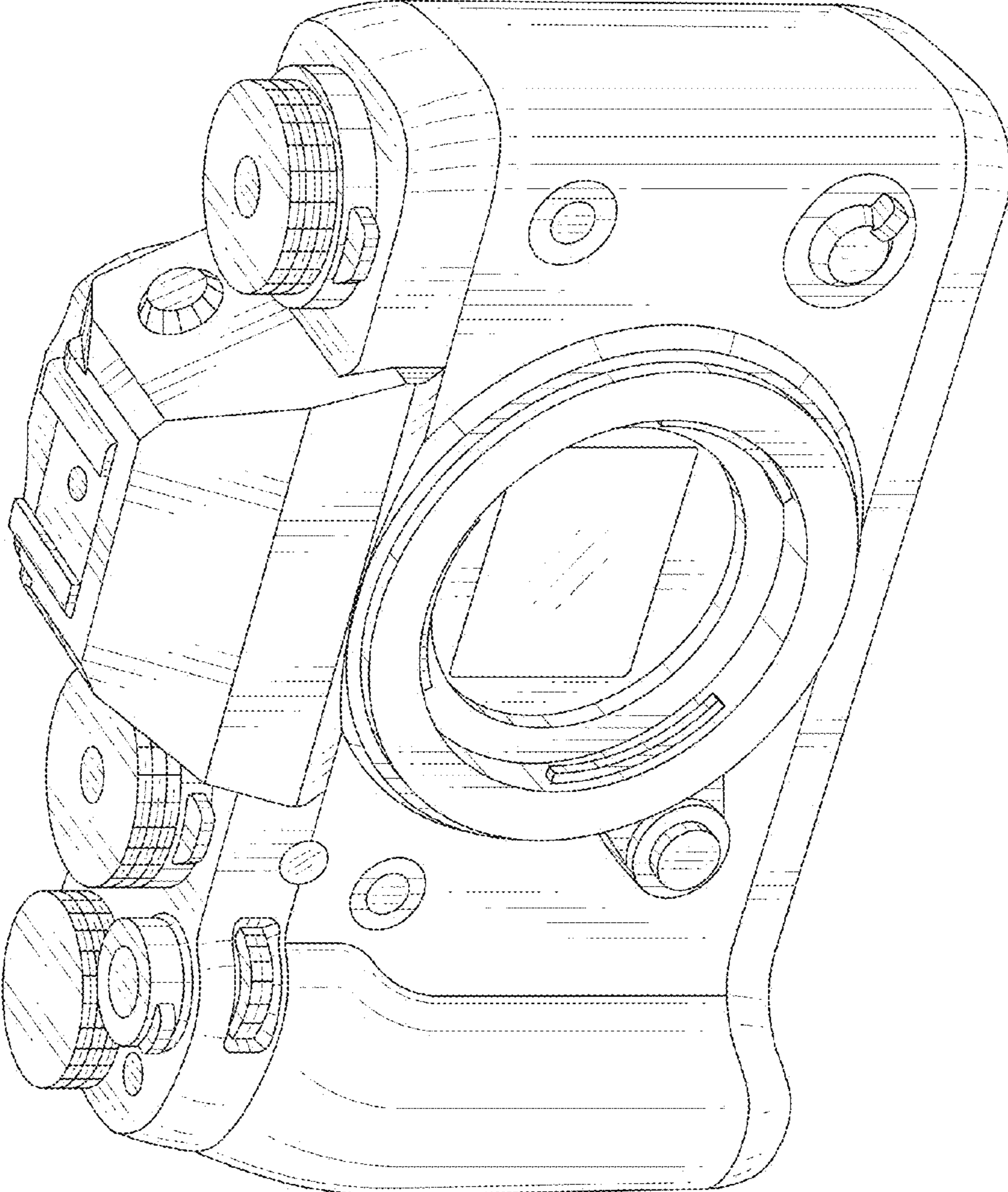


FIG. 2

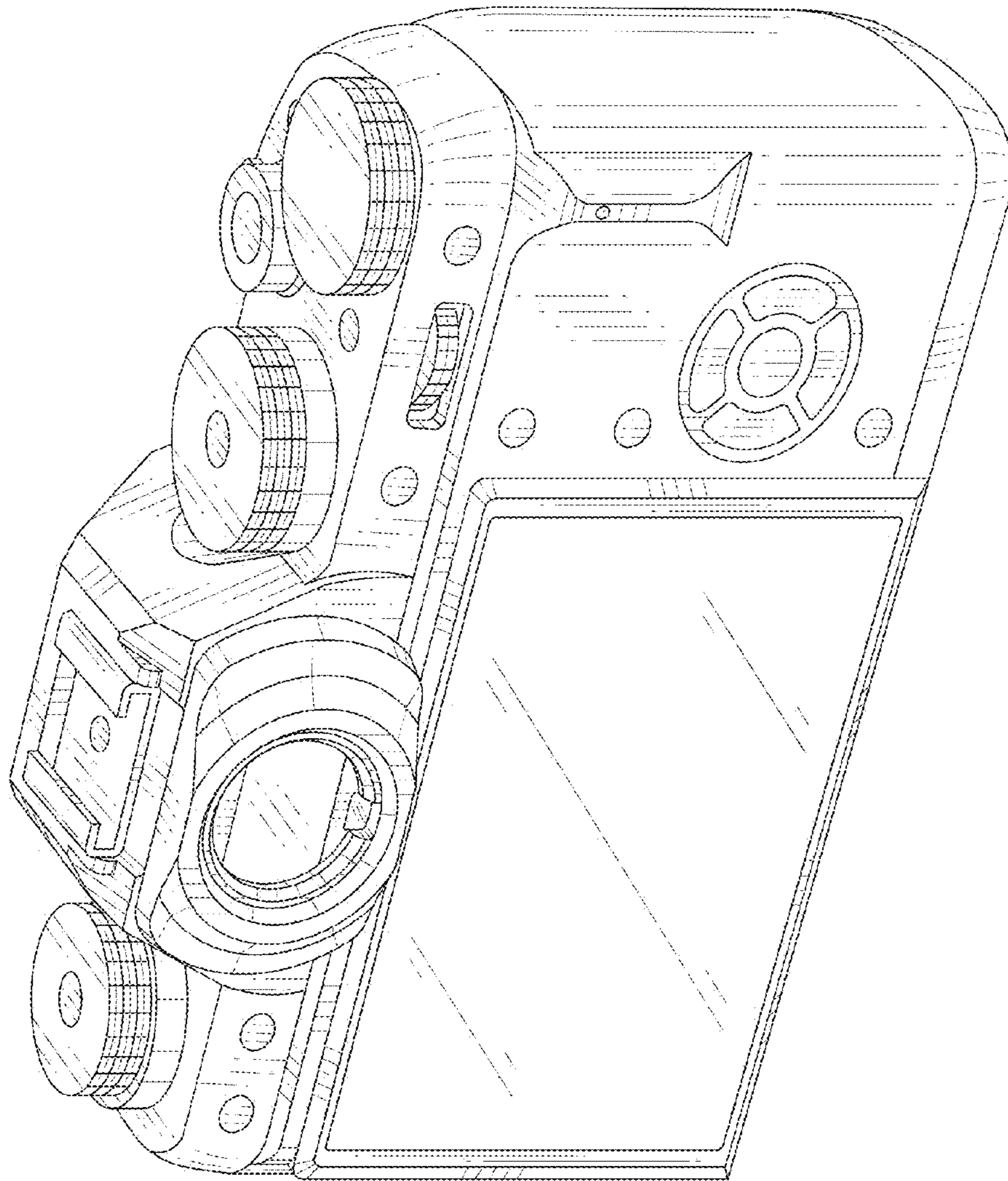




FIG. 3

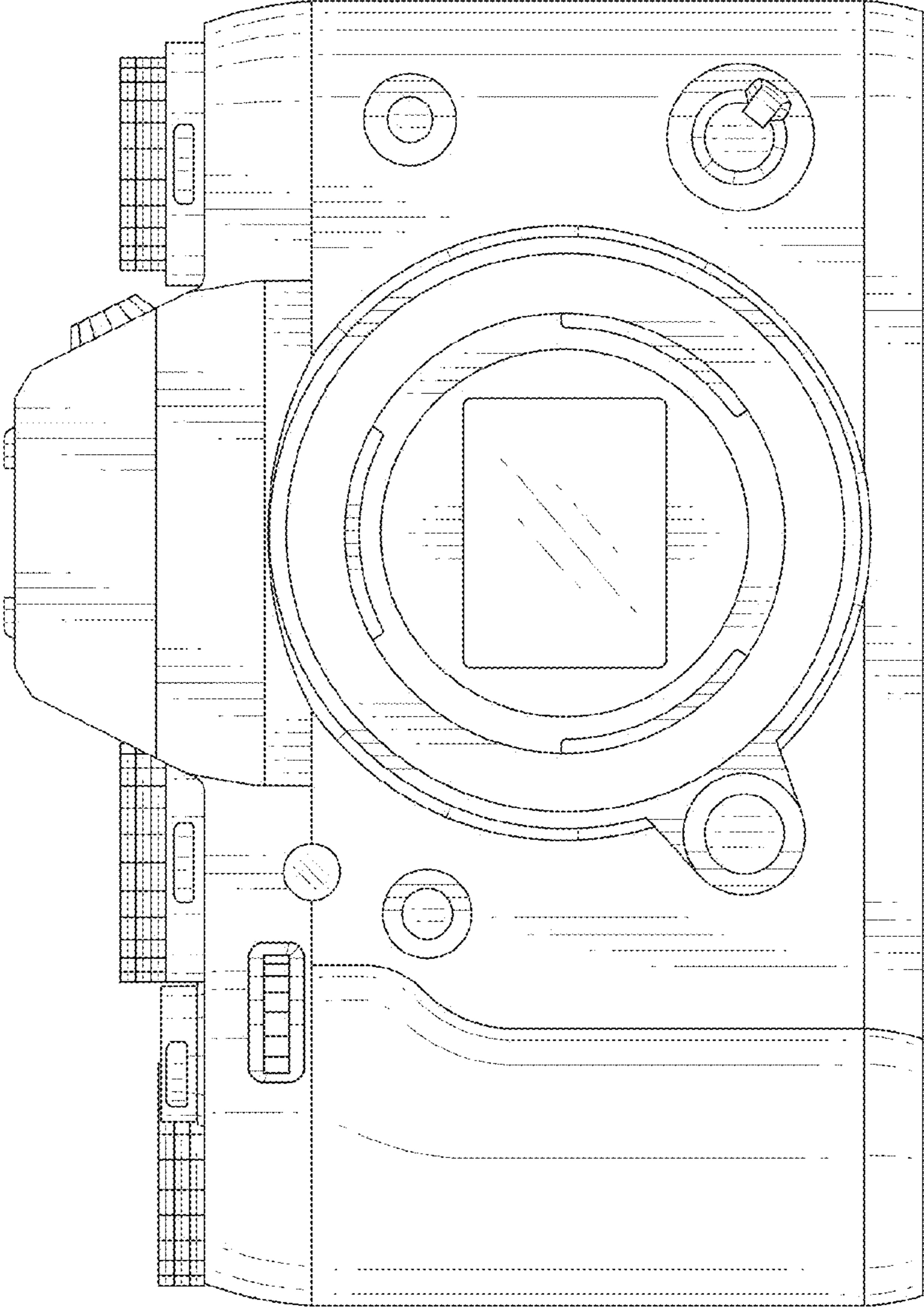


FIG. 4

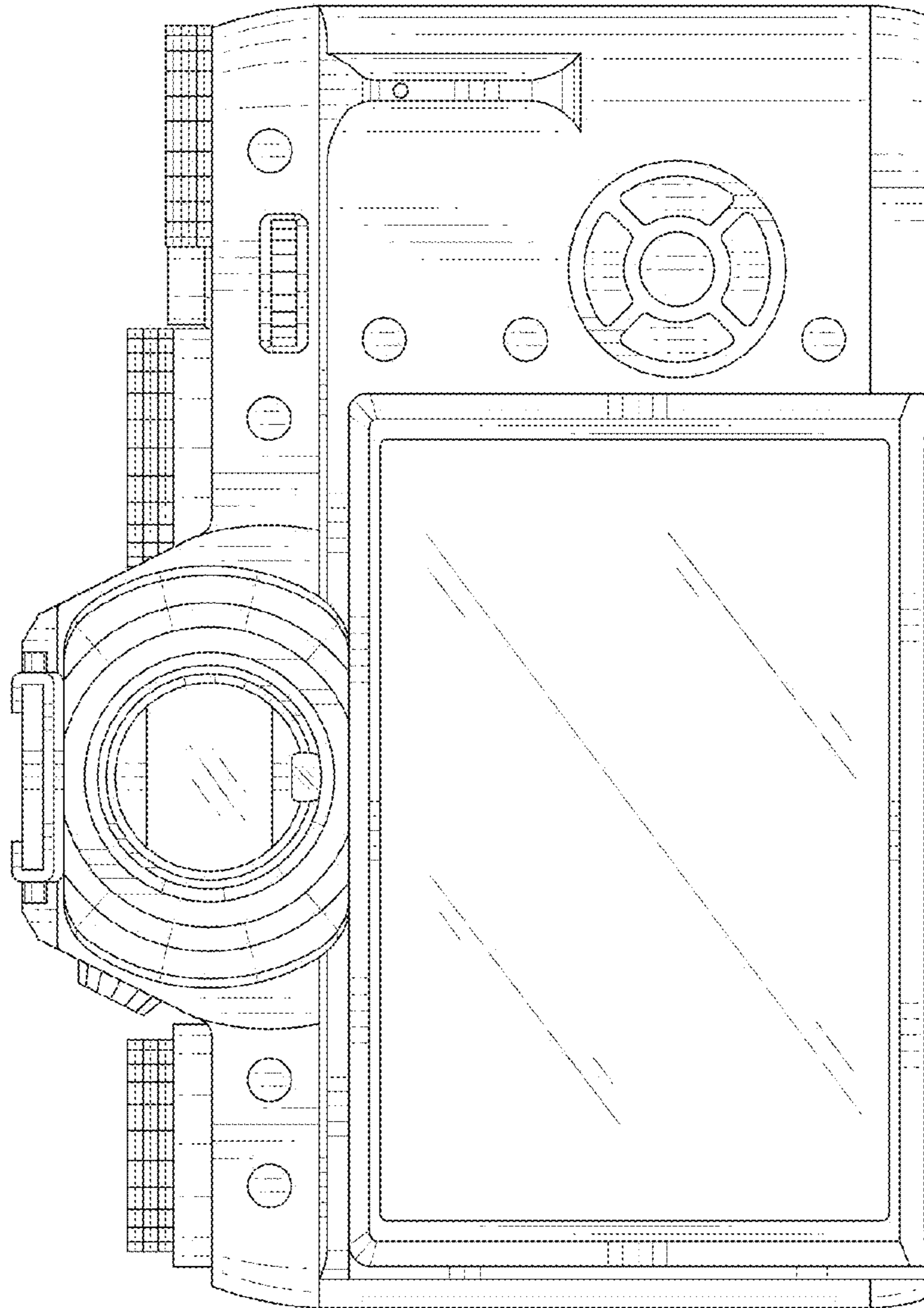


FIG. 5

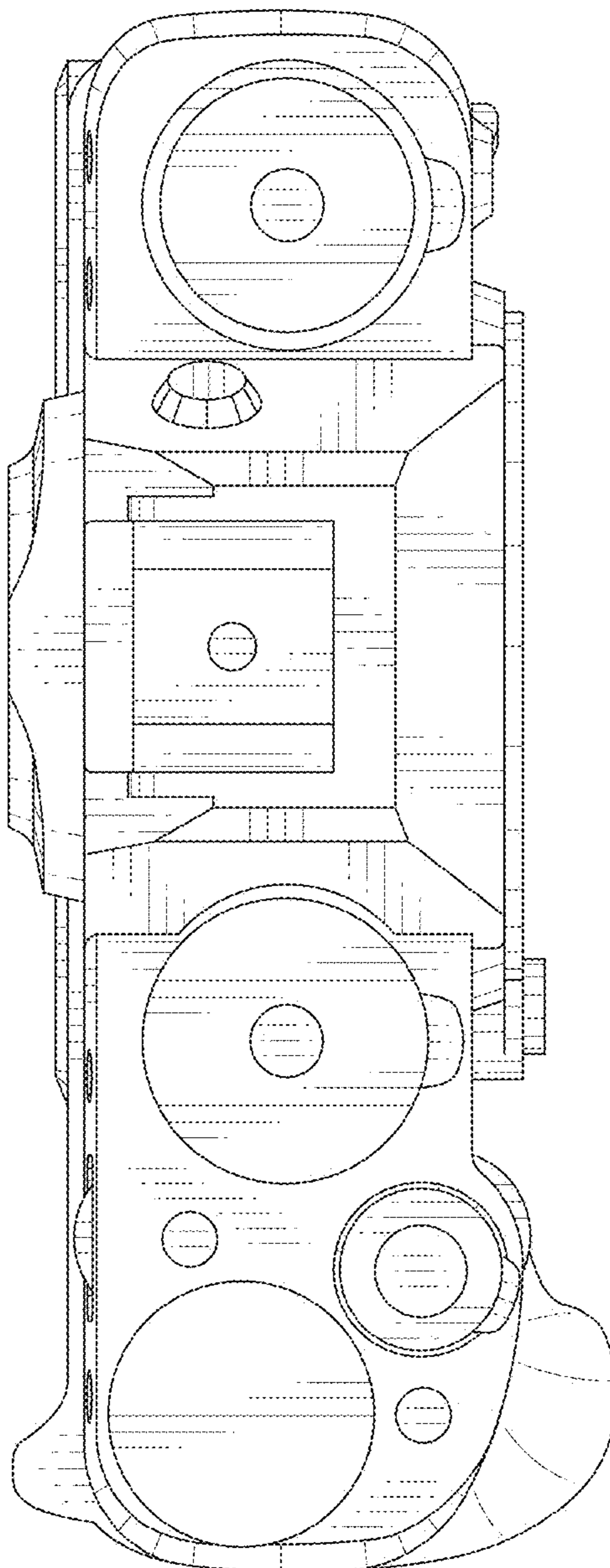


FIG. 6

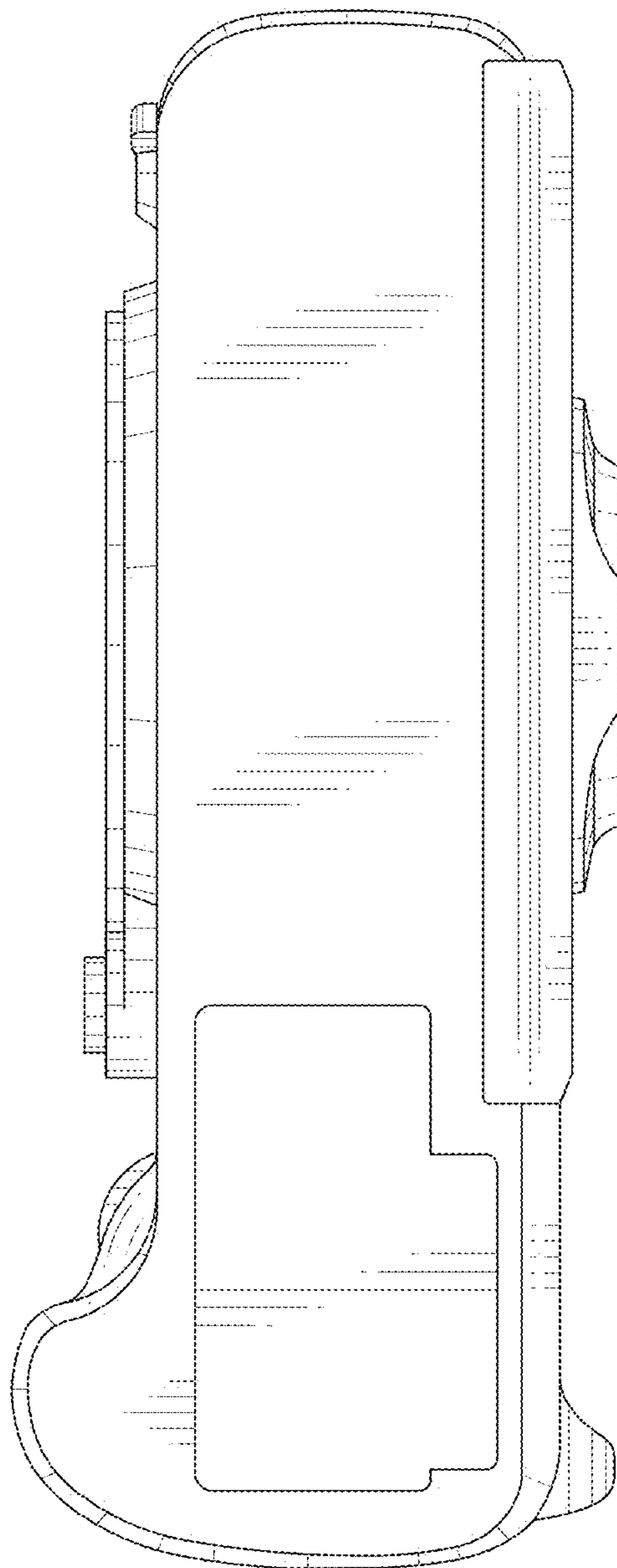


FIG. 7

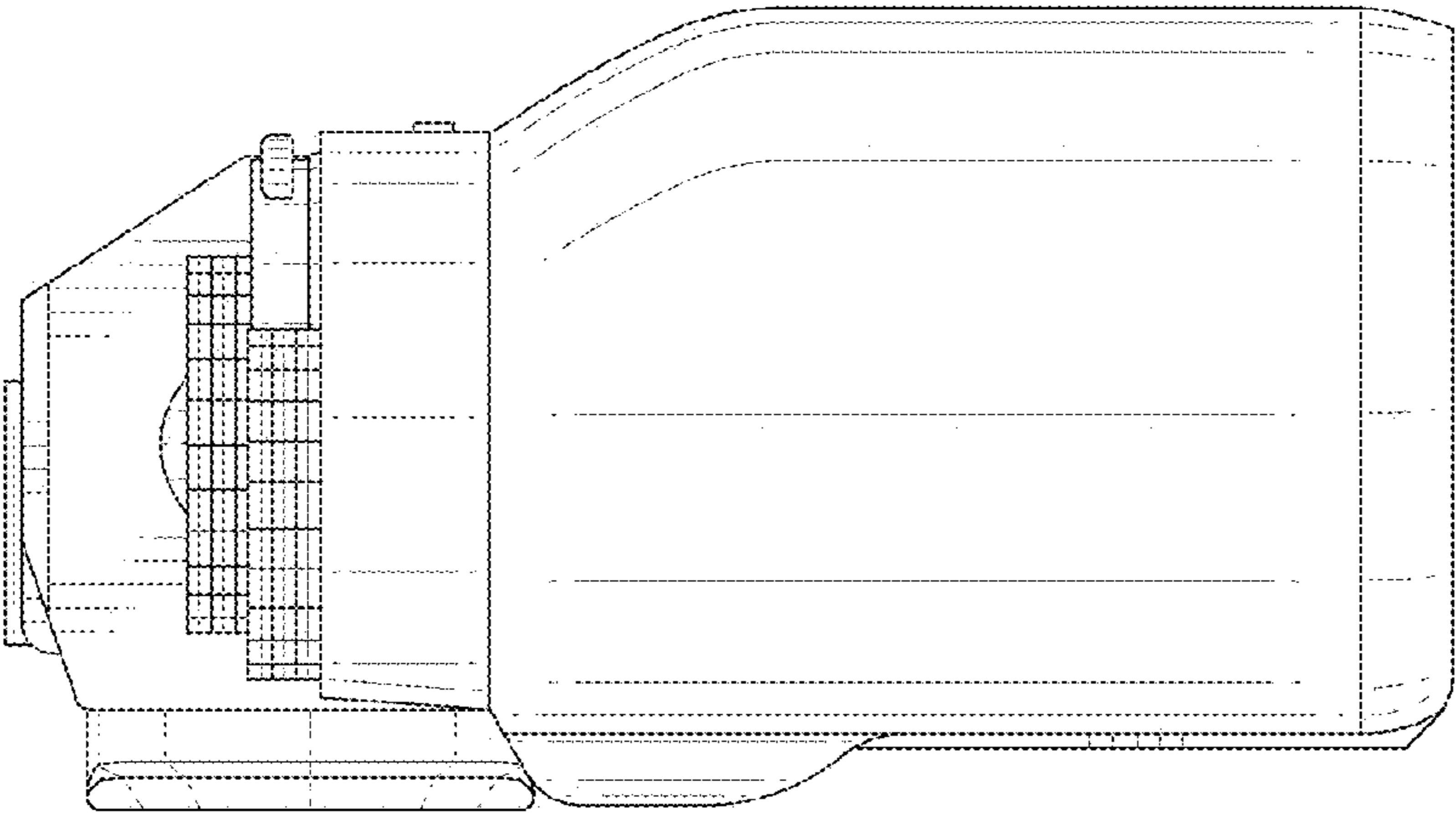




FIG. 8

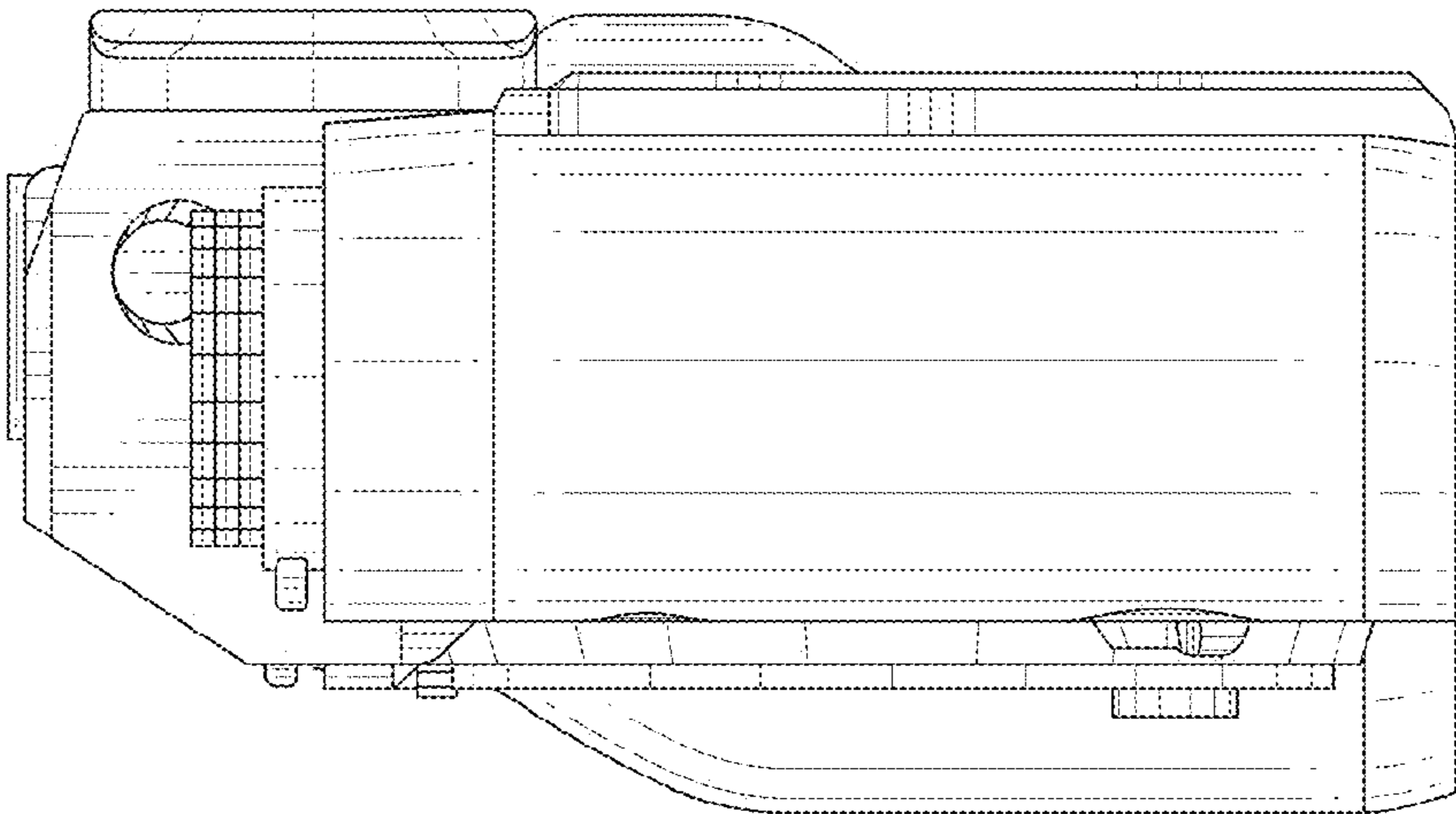


FIG. 9

