



US00D738416S

(12) **United States Design Patent**  
**Pitera et al.**

(10) **Patent No.:** **US D738,416 S**

(45) **Date of Patent:** **\*\* Sep. 8, 2015**

(54) **SPOTTING TELESCOPE ALIGNMENT LOCK**

(56) **References Cited**

(71) Applicants: **Thomas Pitera**, Colonia, NJ (US);  
**Damien Marianucci**, Secaucus, NJ  
(US); **C. Marc Dalangin**, Piscataway, NJ  
(US); **David Hosier**, Hopatcong, NJ  
(US)

U.S. PATENT DOCUMENTS

2,933,992	A *	4/1960	Bushnell et al. ....	396/432
D236,232	S *	8/1975	Kleinerman .....	D16/136
6,333,814	B1 *	12/2001	Chang et al. ....	359/411
D649,571	S *	11/2011	Cummings et al. ....	D16/136
D658,485	S *	5/2012	Wall .....	D8/354

(72) Inventors: **Thomas Pitera**, Colonia, NJ (US);  
**Damien Marianucci**, Secaucus, NJ  
(US); **C. Marc Dalangin**, Piscataway, NJ  
(US); **David Hosier**, Hopatcong, NJ  
(US)

\* cited by examiner

*Primary Examiner* — Holly Baynham

(74) *Attorney, Agent, or Firm* — Michael C. Sachs

(73) Assignee: **The United States of America as  
Represented by the Secretary of the  
Army**, Washington, DC (US)

(57) **CLAIM**

The ornamental design for a spotting telescope alignment lock.

(\*\*) Term: **14 Years**

**DESCRIPTION**

(21) Appl. No.: **29/456,492**

The invention described here may be made, used and licensed by and for the U.S. Government for U.S. Governmental purposes.

(22) Filed: **May 31, 2013**

FIG. 1 is an isometric view of the alignment lock.

(51) **LOC (10) Cl.** ..... **16-06**

FIG. 2 is a front elevation view of the alignment lock.

(52) **U.S. Cl.**

FIG. 3 is a right side elevation view of the alignment lock.

USPC ..... **D16/136**

FIG. 4 is a left side elevation view of the alignment lock.

(58) **Field of Classification Search**

FIG. 5 is a rear view of the alignment lock.

USPC ..... D16/132

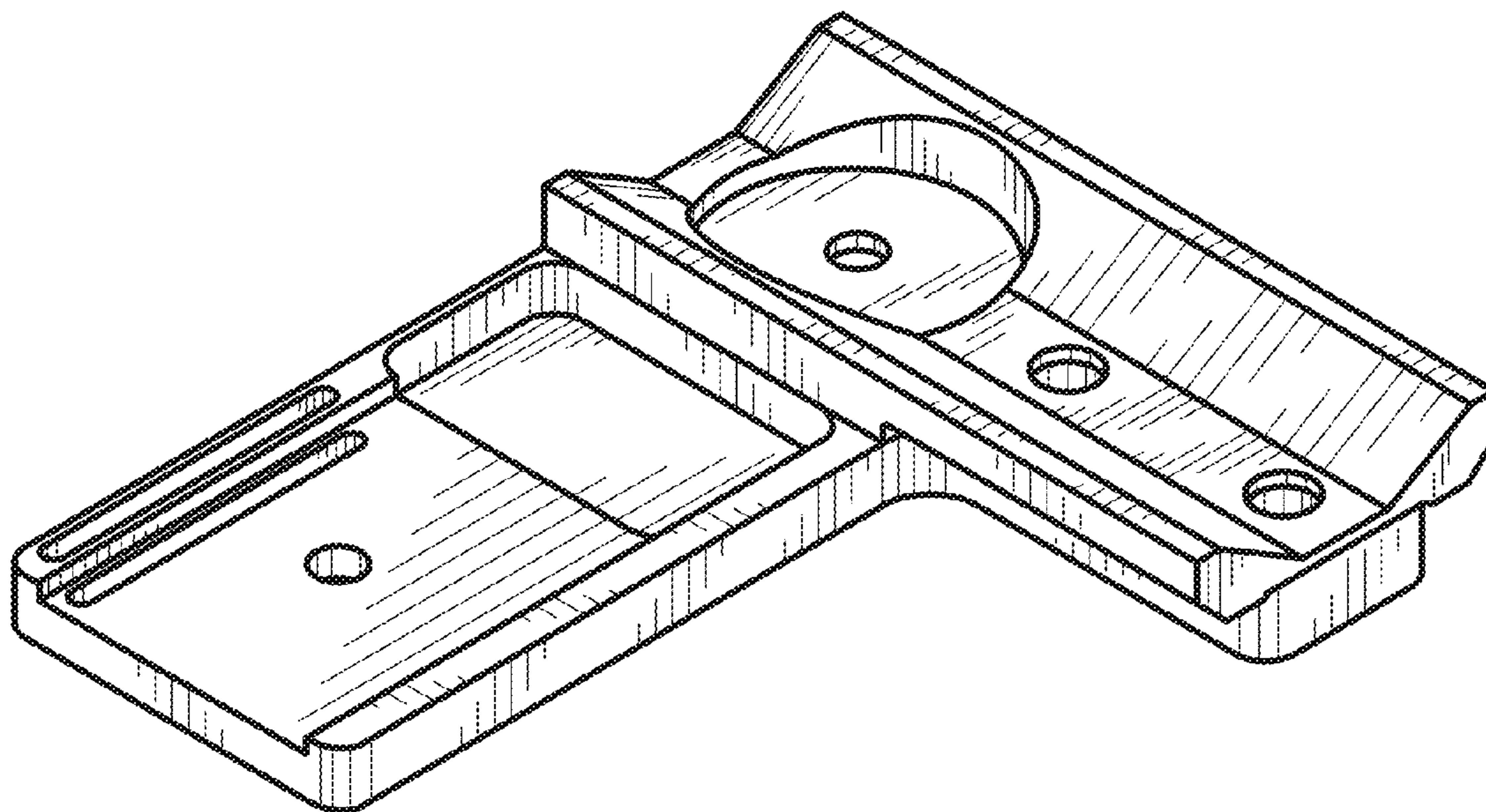
FIG. 6 is a bottom view of the alignment lock; and,

CPC ..... G02B 23/00; G02B 7/12; G02B 23/18

FIG. 7 is a top view of the alignment lock.

See application file for complete search history.

**1 Claim, 3 Drawing Sheets**



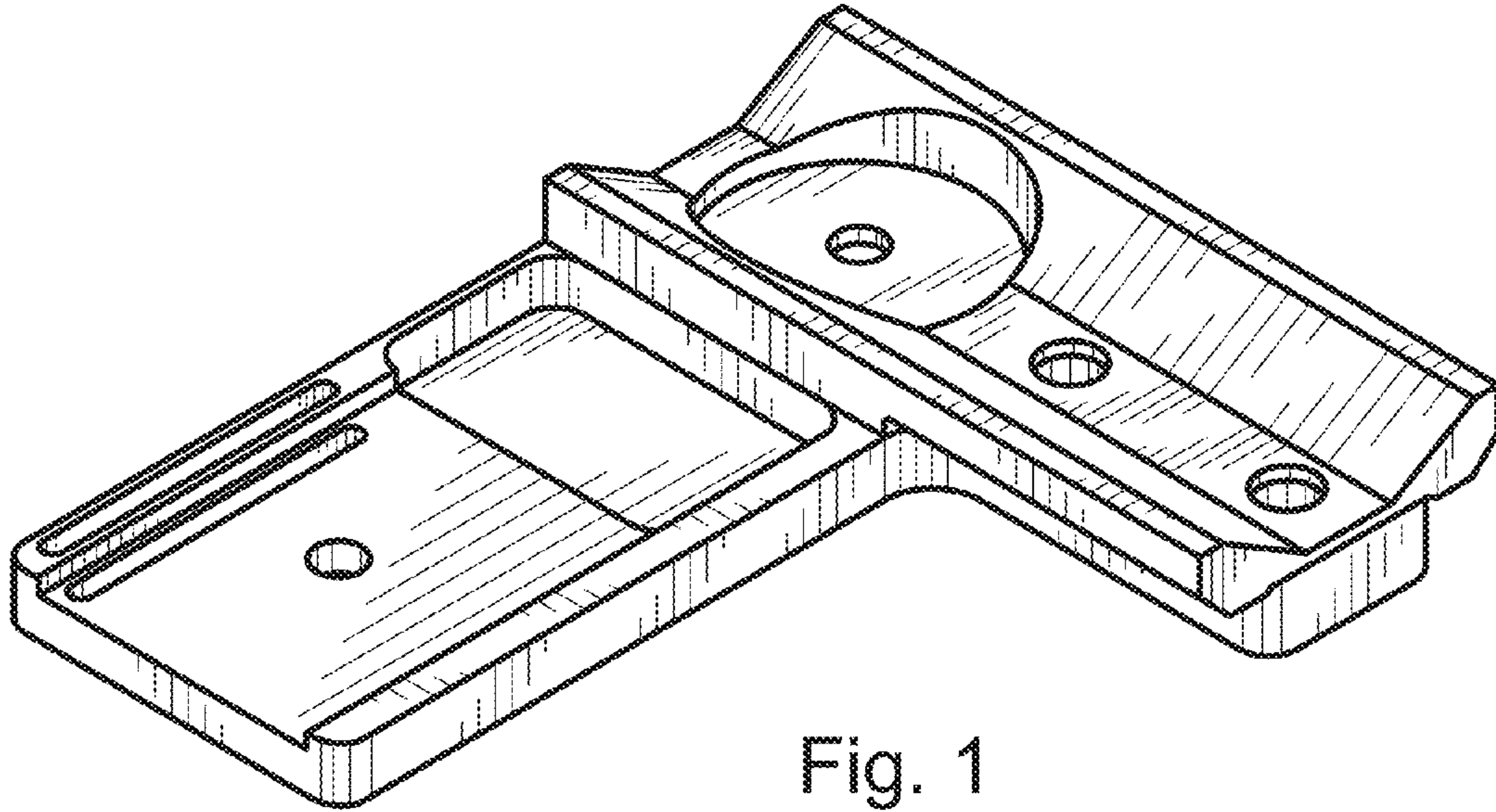


Fig. 1

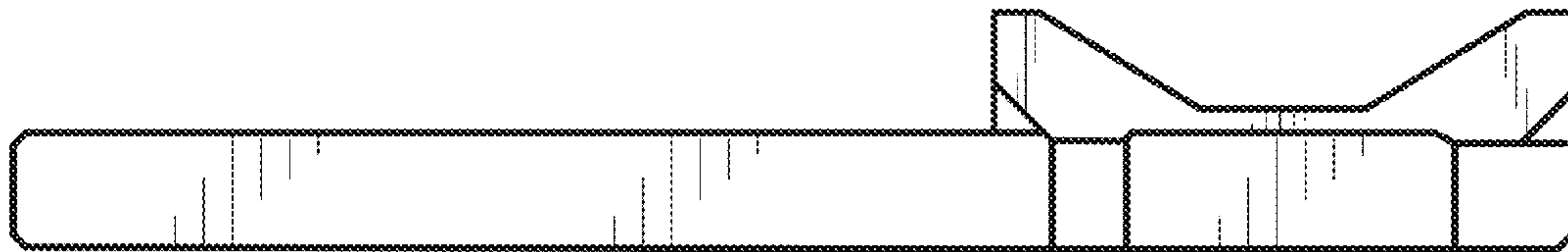


Fig. 2

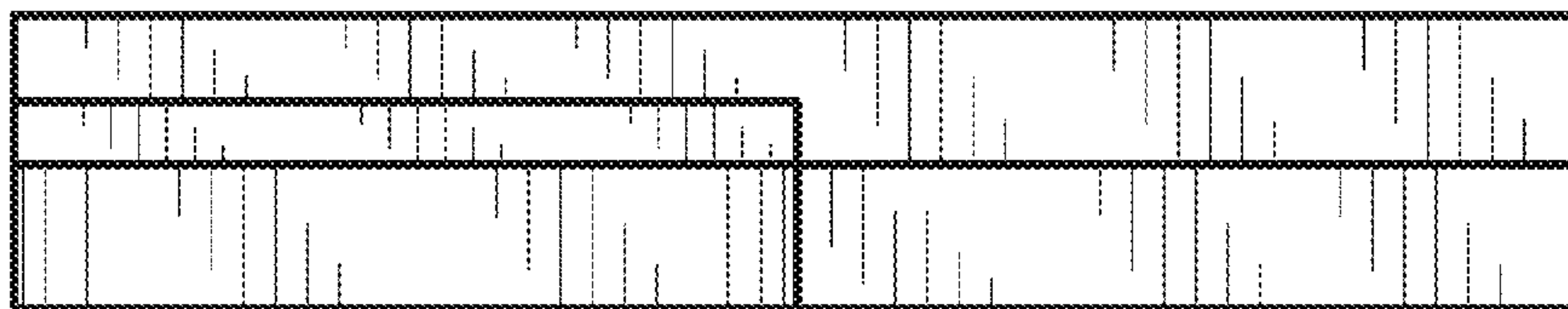


Fig. 3

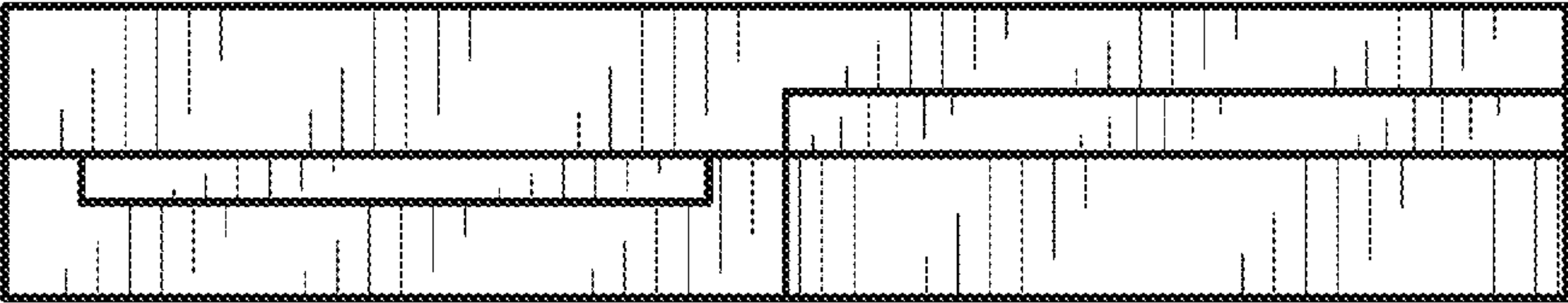


Fig. 4

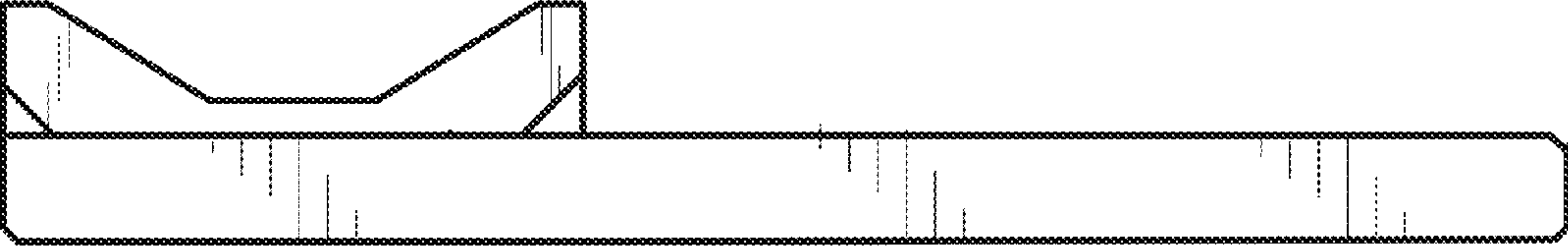


Fig. 5

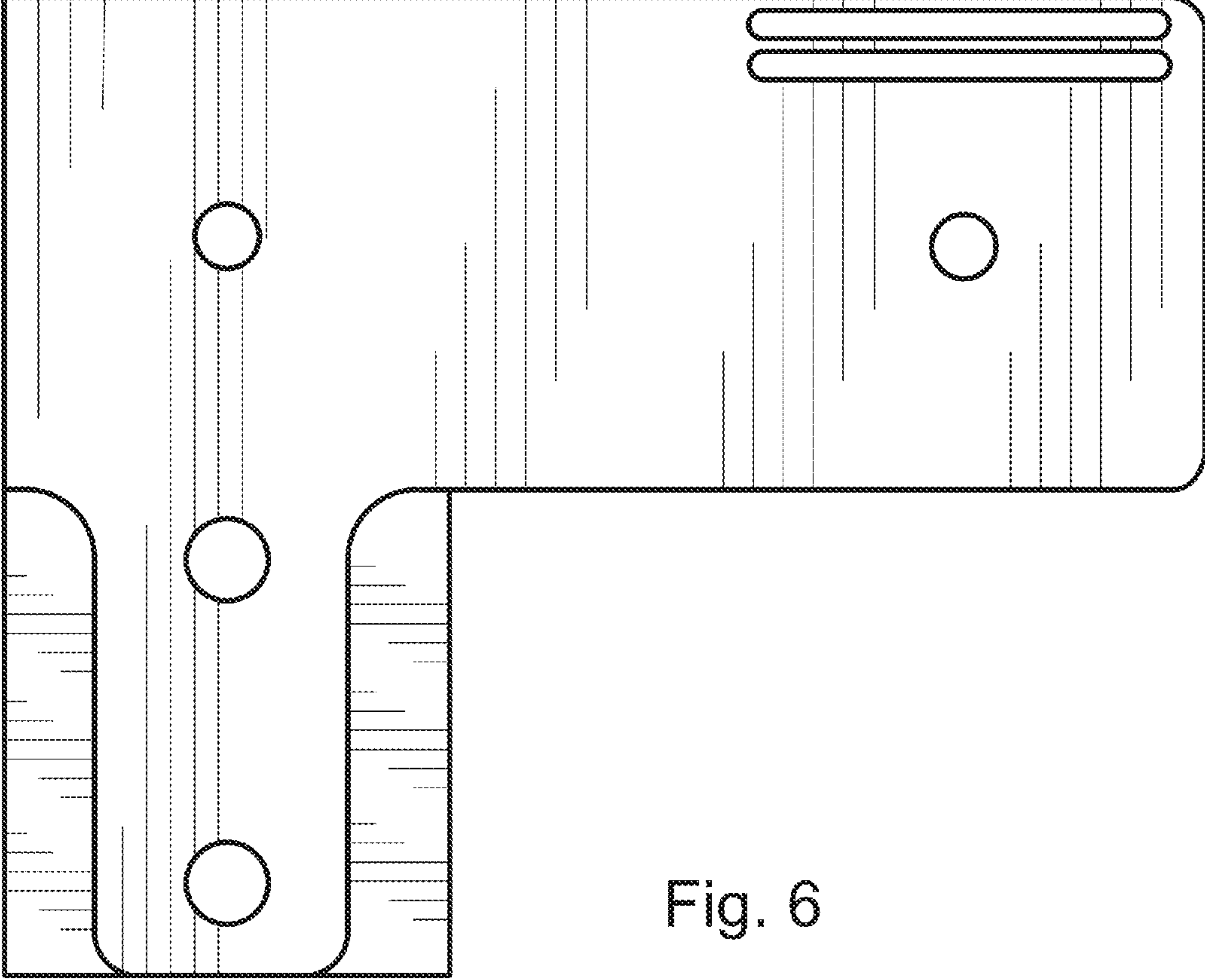


Fig. 6



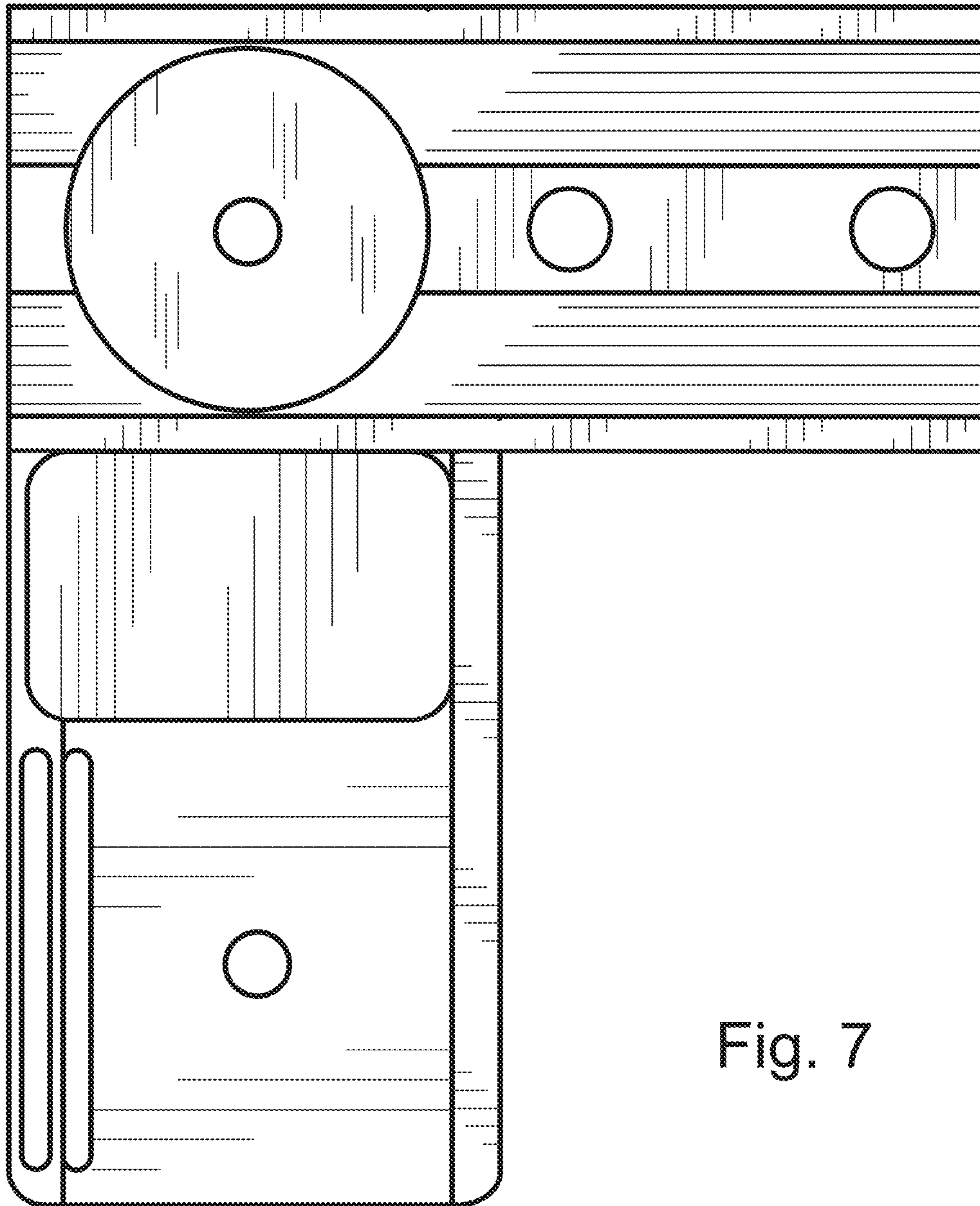


Fig. 7