



US00D738415S

(12) **United States Design Patent**
Hofmann et al.

(10) **Patent No.:** **US D738,415 S**

(45) **Date of Patent:** **** Sep. 8, 2015**

(54) **MICROSCOPE BASE AND ARM**

(71) Applicant: **Carl Zeiss Microscopy GmbH**, Jena (DE)

(72) Inventors: **Kerstin Hofmann**, Goettingen (DE); **Axel Laschke**, Waake (DE); **Ilka Schlesiger**, Jena (DE); **Michael Winterot**, Jena (DE); **Martin Stohr**, Jena (DE)

(73) Assignee: **Carl Zeiss Microscopy GmbH**, Jena (DE)

(**) Term: **14 Years**

(21) Appl. No.: **29/494,788**

(22) Filed: **Jun. 24, 2014**

(30) **Foreign Application Priority Data**

Apr. 3, 2014 (EM) 002439794

(51) **LOC (10) Cl.** **16-06**

(52) **U.S. Cl.**
USPC **D16/131**

(58) **Field of Classification Search**
USPC D16/131; 359/361, 368, 375, 376, 377, 359/378, 379, 380, 381, 382, 383, 384, 385, 359/387, 388, 389, 390, 393
See application file for complete search history.

(56) **References Cited**

U.S. PATENT DOCUMENTS

4,606,616 A * 8/1986 Parker 359/383
D439,258 S * 3/2001 Kawahata D16/131
D461,201 S * 8/2002 Apotheloz D16/131
D464,068 S * 10/2002 Asaka et al. D16/131
D498,247 S * 11/2004 Suzuki et al. D16/131

D546,355 S * 7/2007 Apotheloz D16/131
D546,356 S * 7/2007 Apotheloz D16/131
D592,689 S * 5/2009 Dunn D16/131
D611,972 S * 3/2010 Apotheloz D16/131
2004/0263960 A1* 12/2004 Obuchi 359/385
2010/0259816 A1* 10/2010 Feger 359/385
2011/0080638 A1* 4/2011 Feger 359/385
2011/0085234 A1* 4/2011 Feger 359/363
2013/0070336 A1* 3/2013 Thomas et al. 359/385

OTHER PUBLICATIONS

Brochure of Stemi DR, Stemi DV4 and Stemi 2000 Stereomicroscopes, 30 pages, published by Carl Zeiss Microscopy GmbH, Jena, Germany.
Brochure of Stemi 2000 Stereomicroscopes, 6 pages, published by Carl Zeiss Microscopy GmbH, Jena, Germany.

* cited by examiner

Primary Examiner — Derrick Holland

Assistant Examiner — Lauren Calve

(74) *Attorney, Agent, or Firm* — Christensen Fonder, P.A.

(57) **CLAIM**

We claim the ornamental design for a microscope base and arm, as shown and described.

DESCRIPTION

FIG. 1 is a front perspective view of a microscope base and arm.

FIG. 2 is a right side elevational view thereof.

FIG. 3 is a left side elevational view thereof.

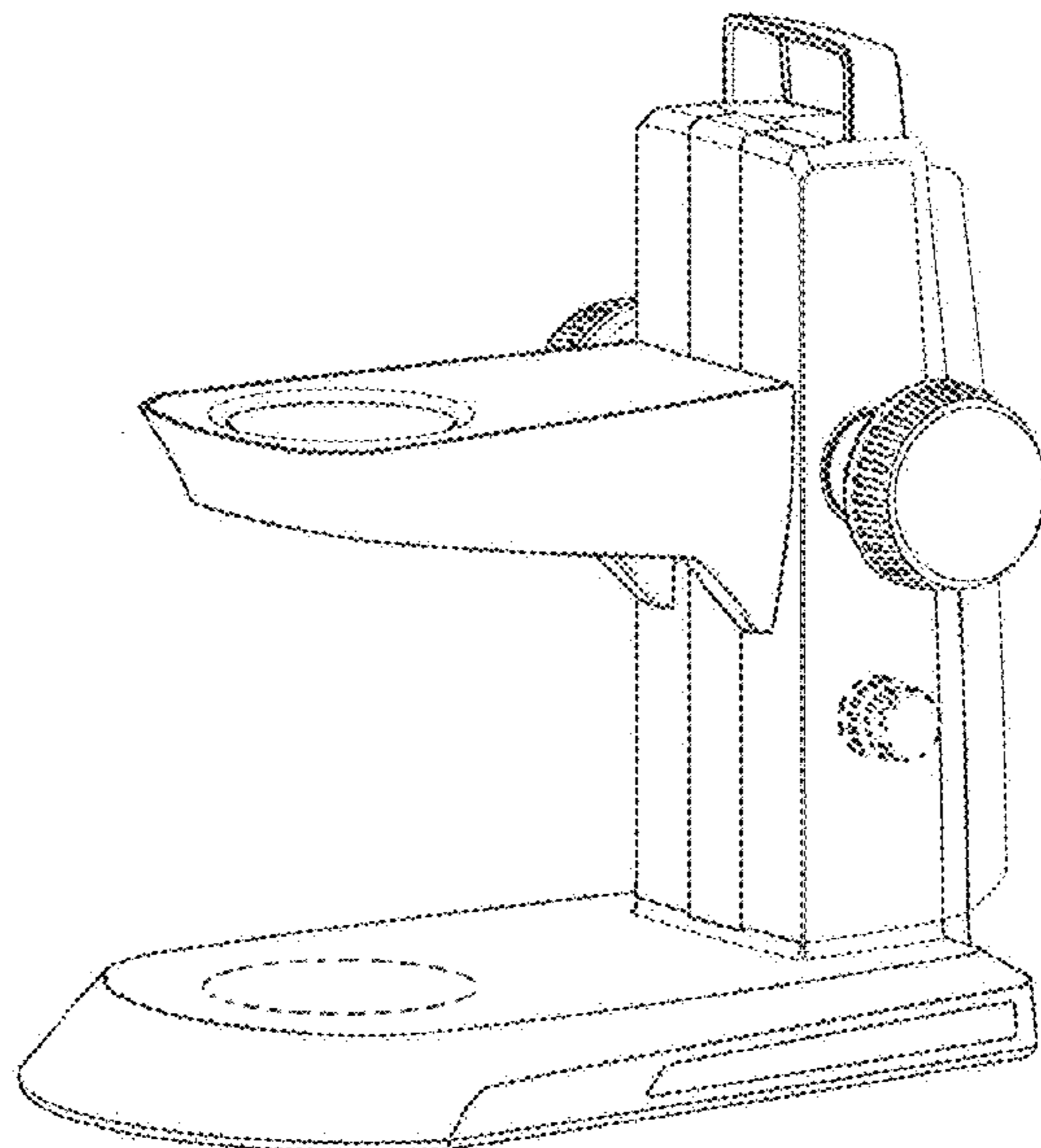
FIG. 4 is a front elevational view thereof.

FIG. 5 is a rear elevational view thereof; and,

FIG. 6 is a top plan view thereof.

The broken lines shown represent unclaimed subject matter and form no part of the claimed design. The bottom side of the microscope base and arm forms no part of the claimed design.

1 Claim, 6 Drawing Sheets



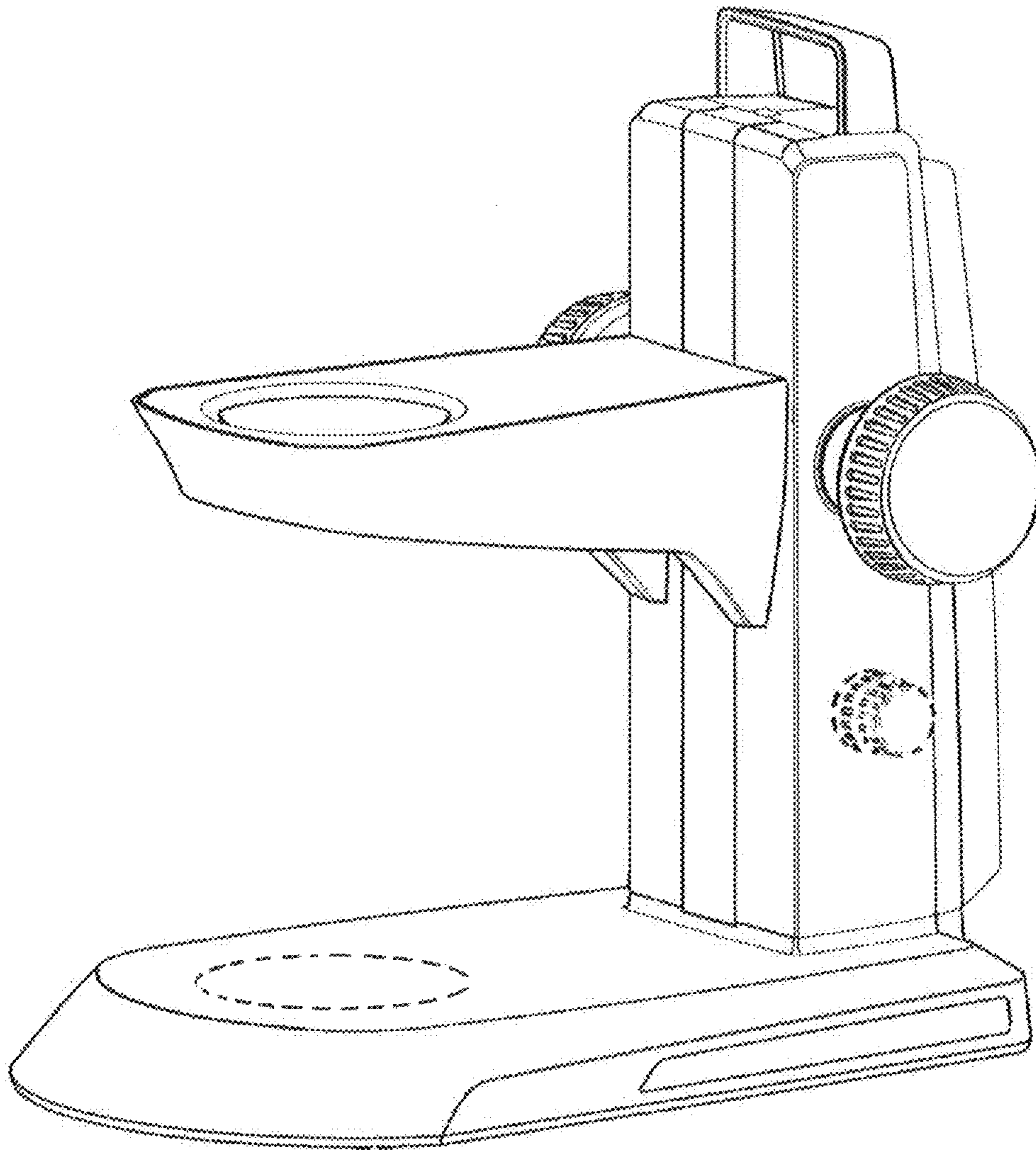


FIG. 1

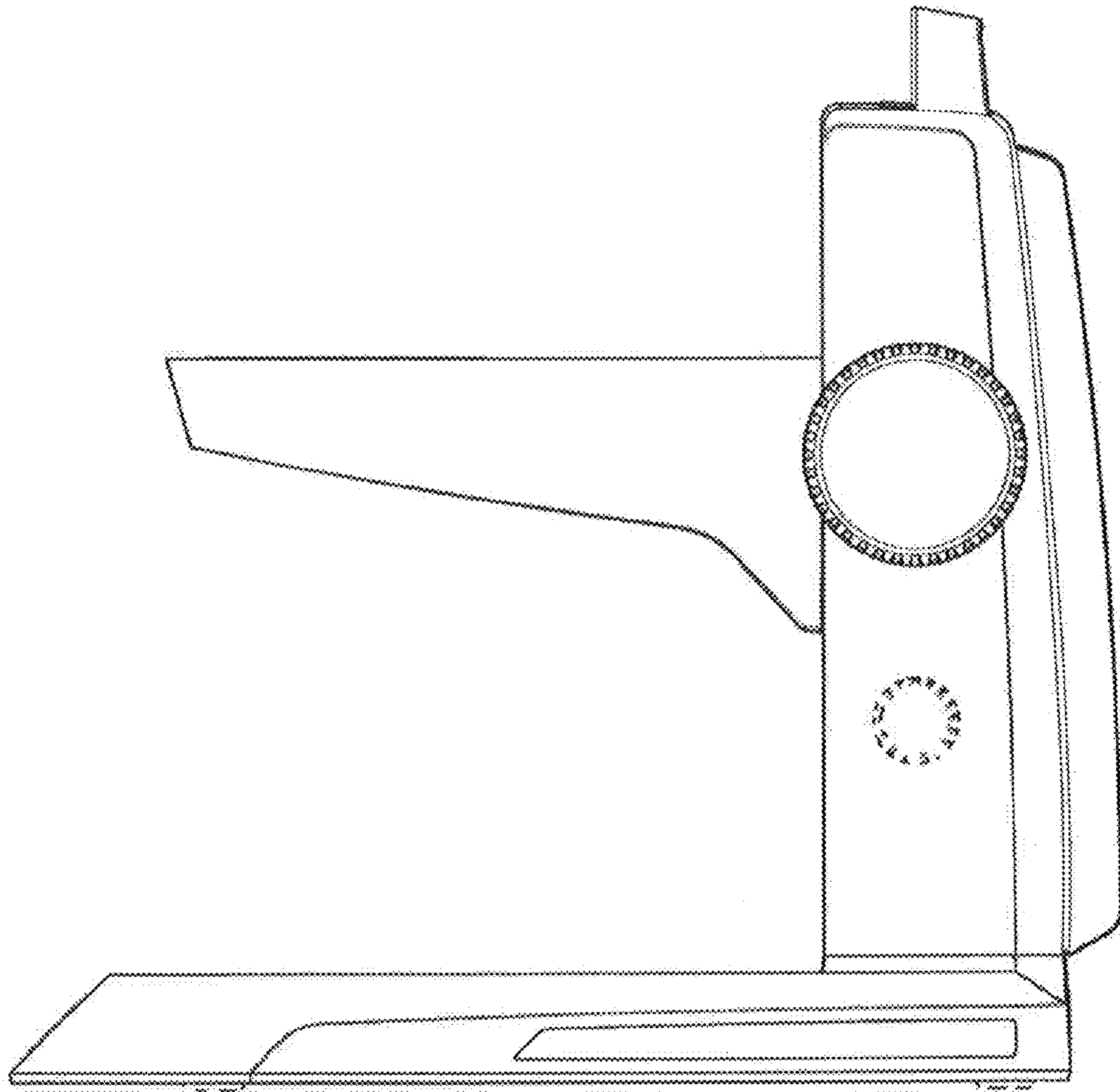


FIG. 2

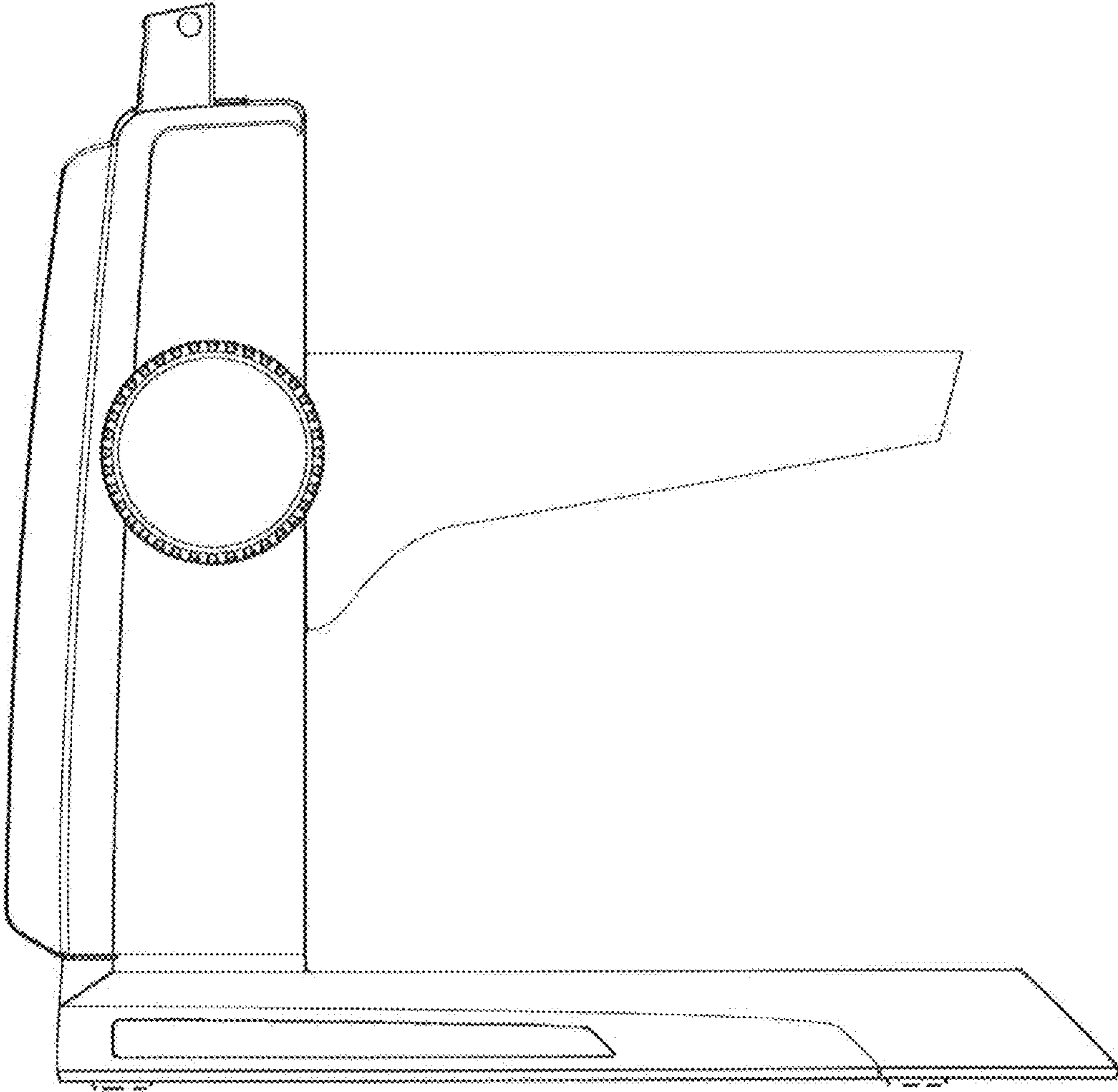


FIG. 3

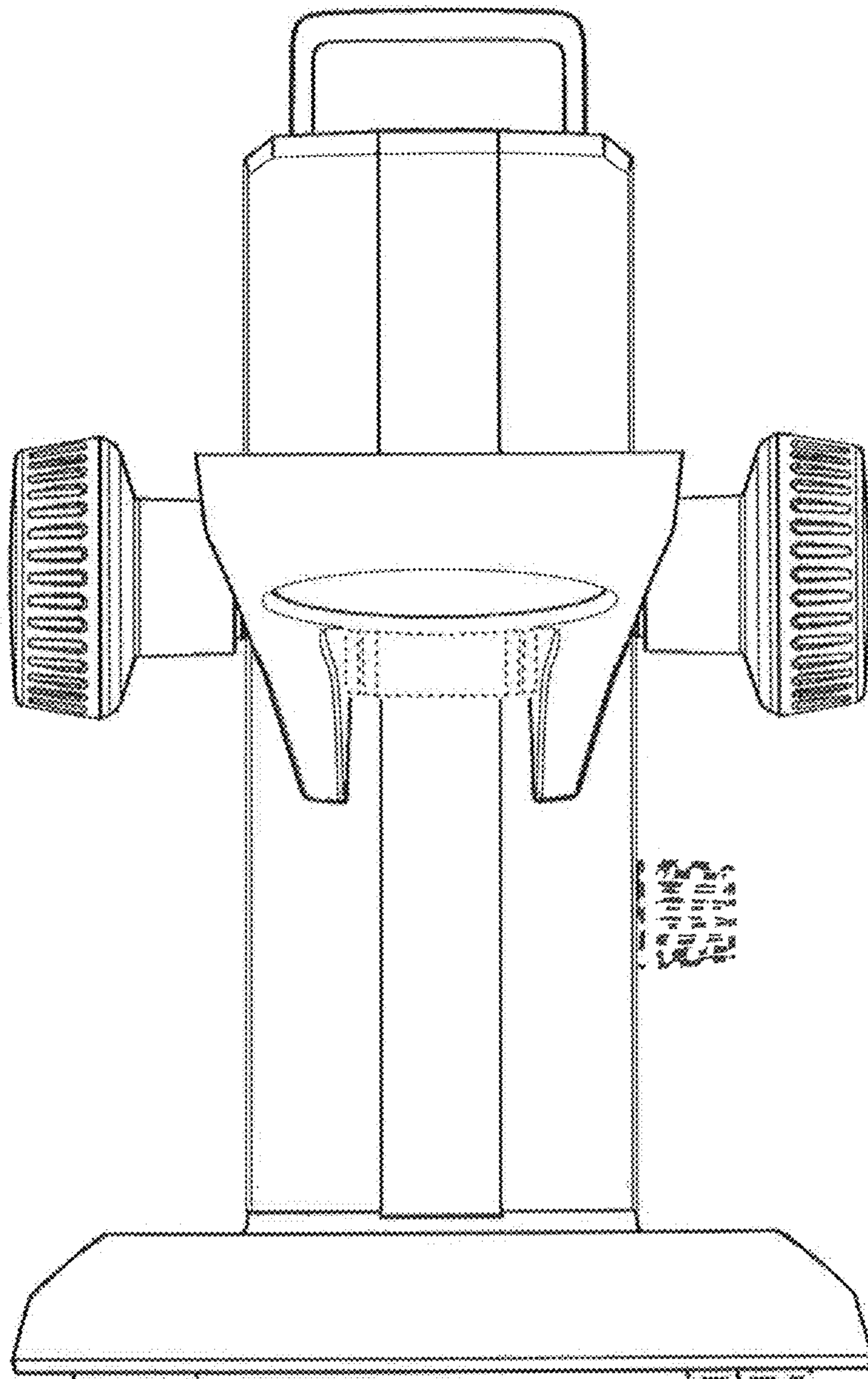


FIG. 4

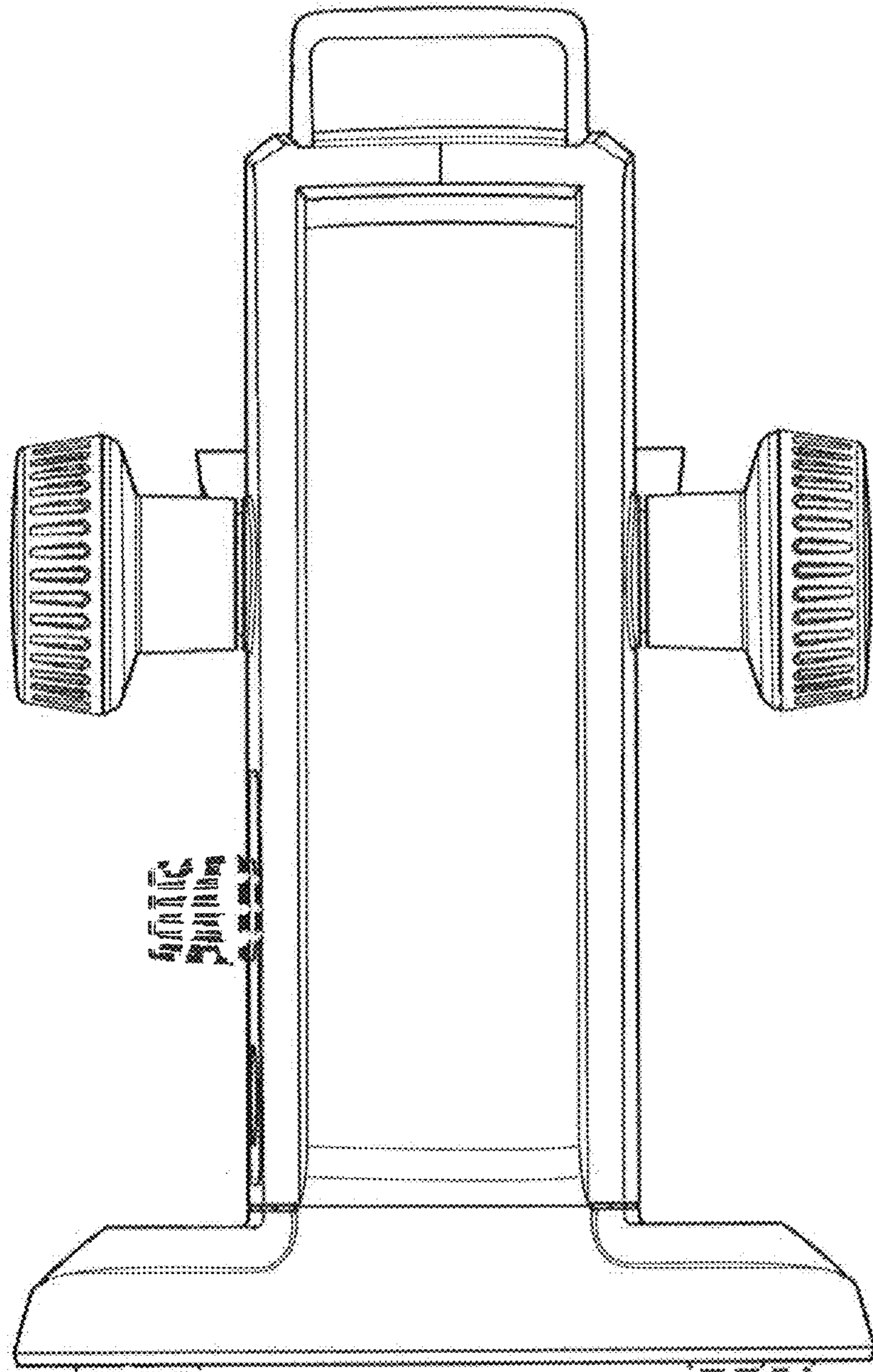


FIG. 5

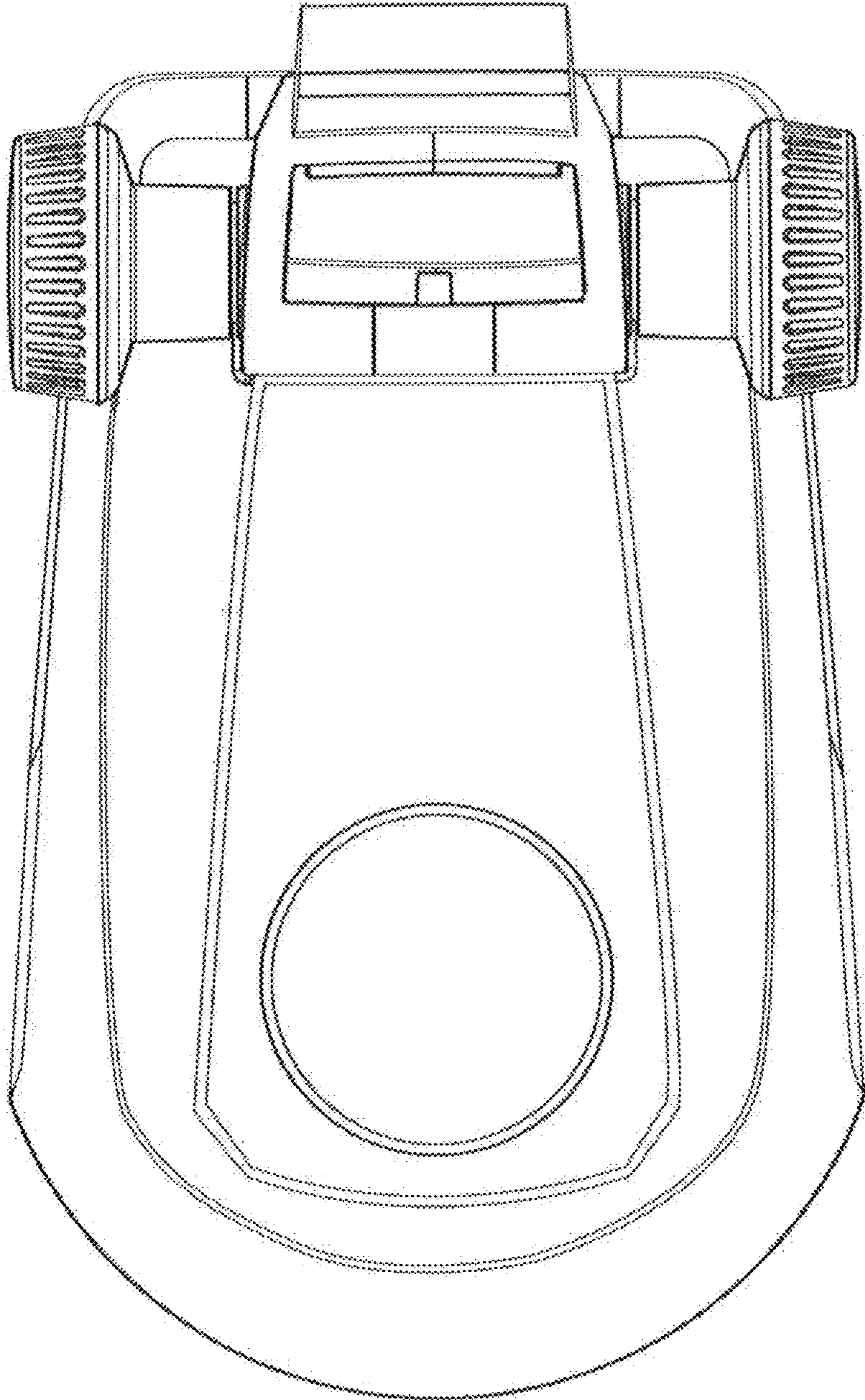


FIG. 6