



US00D738414S

(12) **United States Design Patent**
Chen

(10) **Patent No.:** **US D738,414 S**
(45) **Date of Patent:** **** Sep. 8, 2015**

(54) **FILM PACKING DEVICE**

(71) Applicant: **Hsiu-Man Yu Chen**, Taichung (TW)

(72) Inventor: **Hsiu-Man Yu Chen**, Taichung (TW)

(**) Term: **14 Years**

(21) Appl. No.: **29/489,284**

(22) Filed: **Apr. 29, 2014**

(51) **LOC (10) Cl.** **15-99**

(52) **U.S. Cl.**
USPC **D15/145; D8/358**

(58) **Field of Classification Search**
USPC D6/518, 521; D8/70.1, 356, 358;
D15/145; D16/237, 246, 249, 250;
D9/455, 711; 53/221, 389.4, 390, 441;
156/577; 225/1, 39, 77, 89; 242/423,
242/423.1, 578.2, 588, 599.2; 396/661
See application file for complete search history.

(56) **References Cited**

U.S. PATENT DOCUMENTS

4,166,589 A * 9/1979 Hoover et al. 242/423.1
6,079,654 A * 6/2000 Sasou et al. 242/348.1

6,100,017 A * 8/2000 Makino et al. 430/501
D457,544 S * 5/2002 Salzsauler et al. D16/250
D649,570 S * 11/2011 Chen D15/145
2011/0041458 A1 * 2/2011 Yu Chen 53/389.4
2011/0042504 A1 * 2/2011 Yu Chen 242/578.2
2011/0049287 A1 * 3/2011 Yu Chen 242/578.2
2012/0217336 A1 * 8/2012 Yu Chen 242/423

* cited by examiner

Primary Examiner — Susan Bennett Hattan

Assistant Examiner — Leanne Was

(74) *Attorney, Agent, or Firm* — Ming Chow; Sinorica, LLC

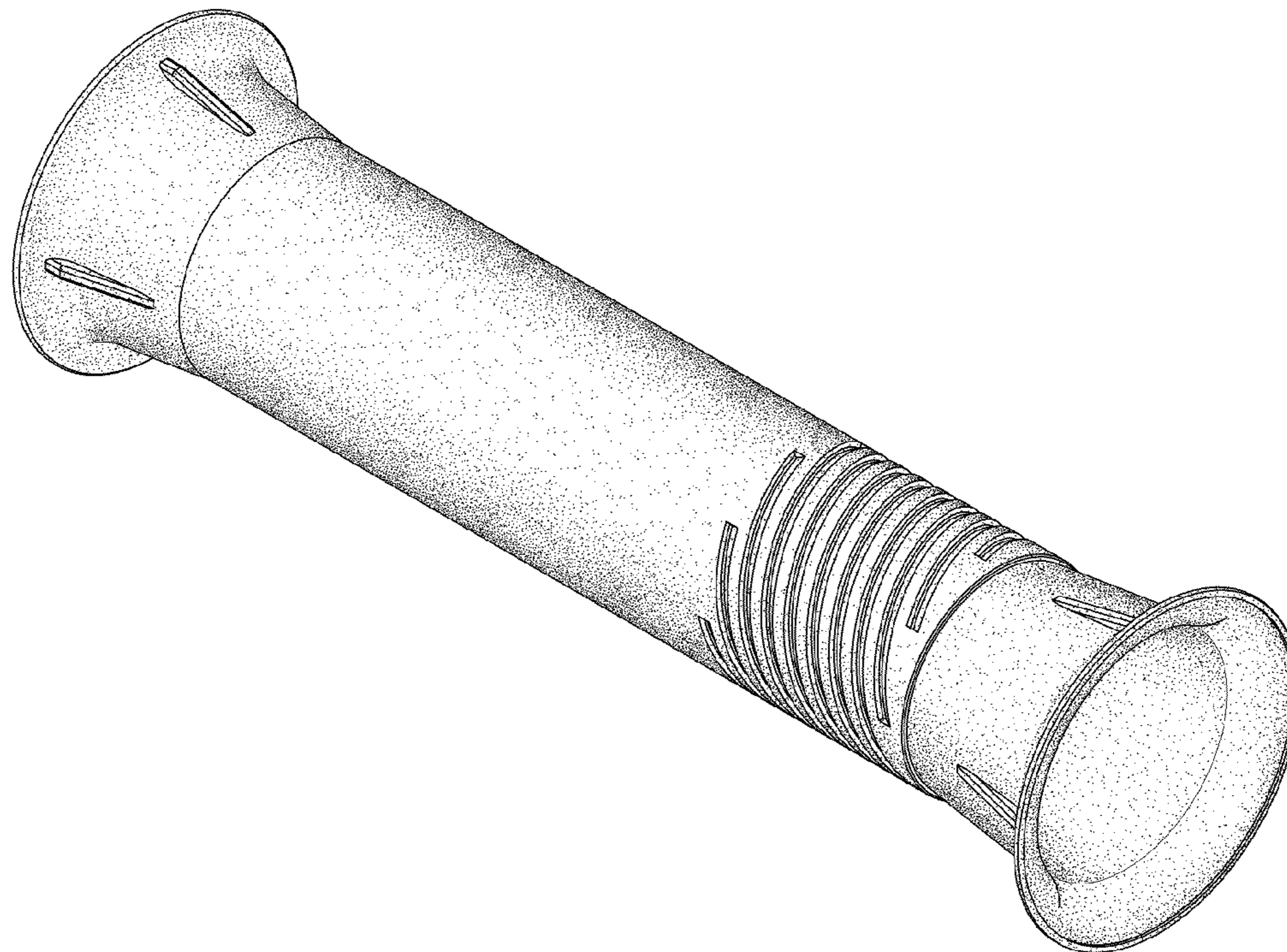
(57) **CLAIM**

I claim the ornamental design for a film packing device, as shown and described.

DESCRIPTION

FIG. 1 is a front perspective view of a film packing device showing my new design;
FIG. 2 is a front elevational view thereof;
FIG. 3 is a rear elevational view thereof.
FIG. 4 is a left side elevational view thereof;
FIG. 5 is a right side elevational view thereof;
FIG. 6 is a top plan view thereof; and,
FIG. 7 is a bottom plan view thereof.

1 Claim, 4 Drawing Sheets



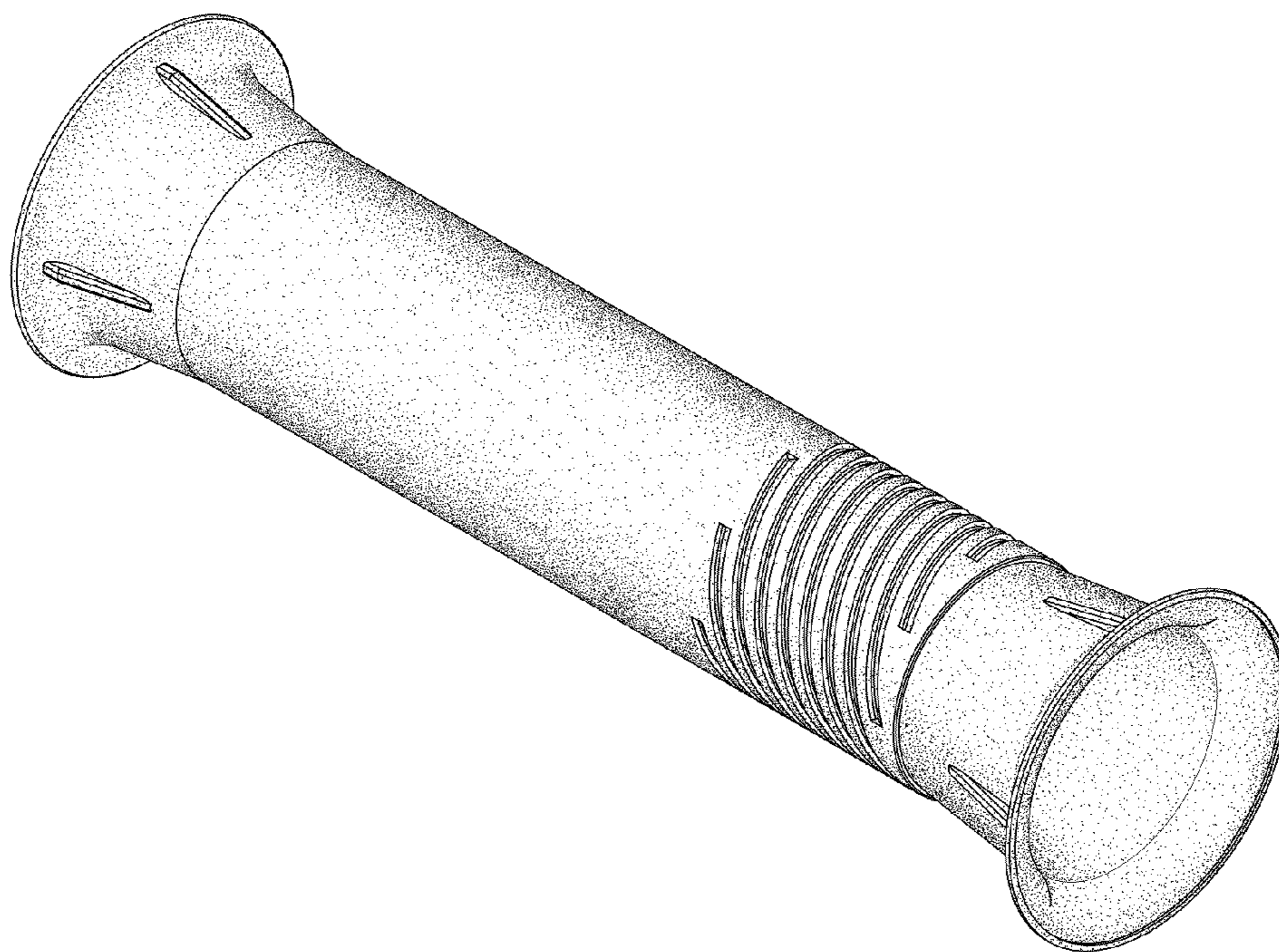


FIG. 1

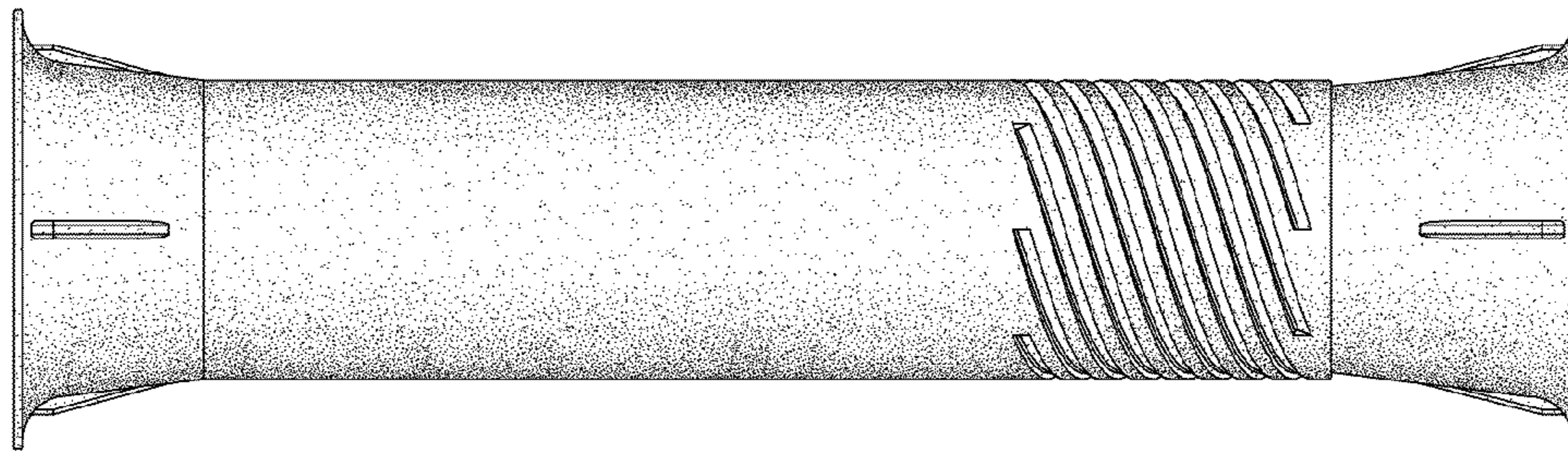


FIG. 2

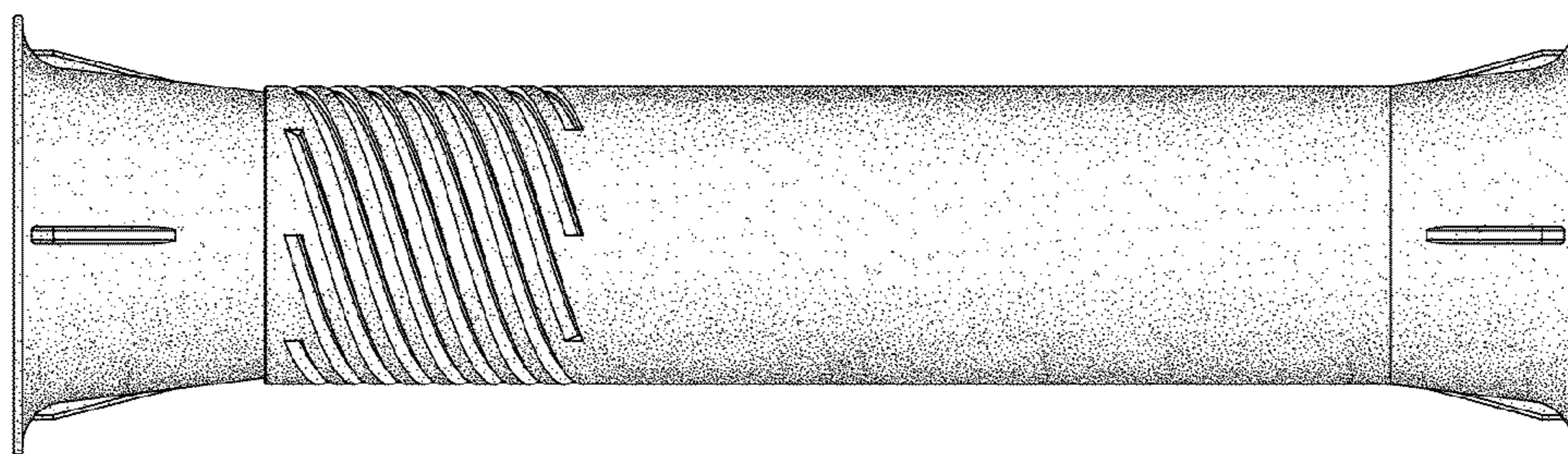


FIG. 3

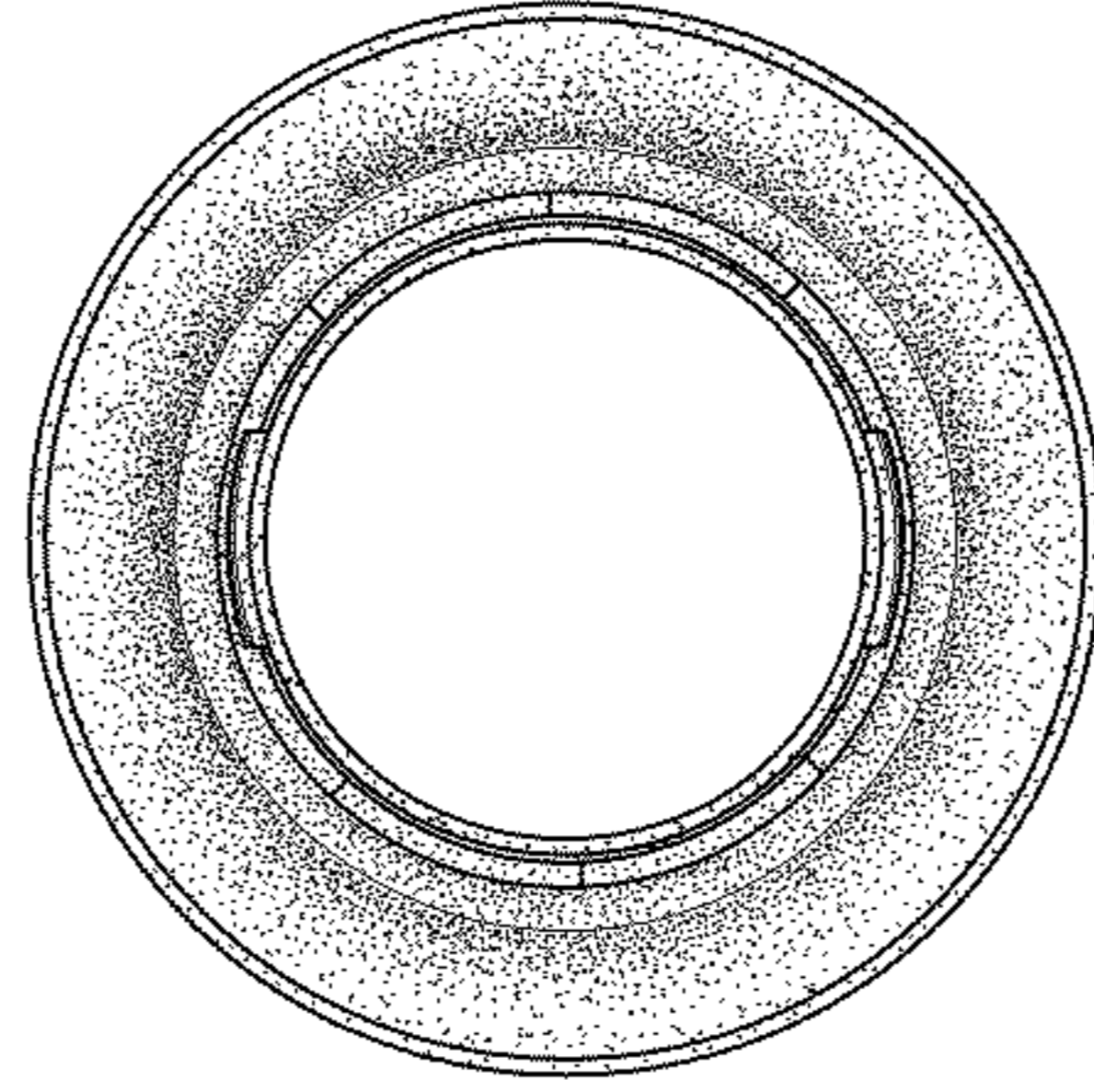


FIG. 4

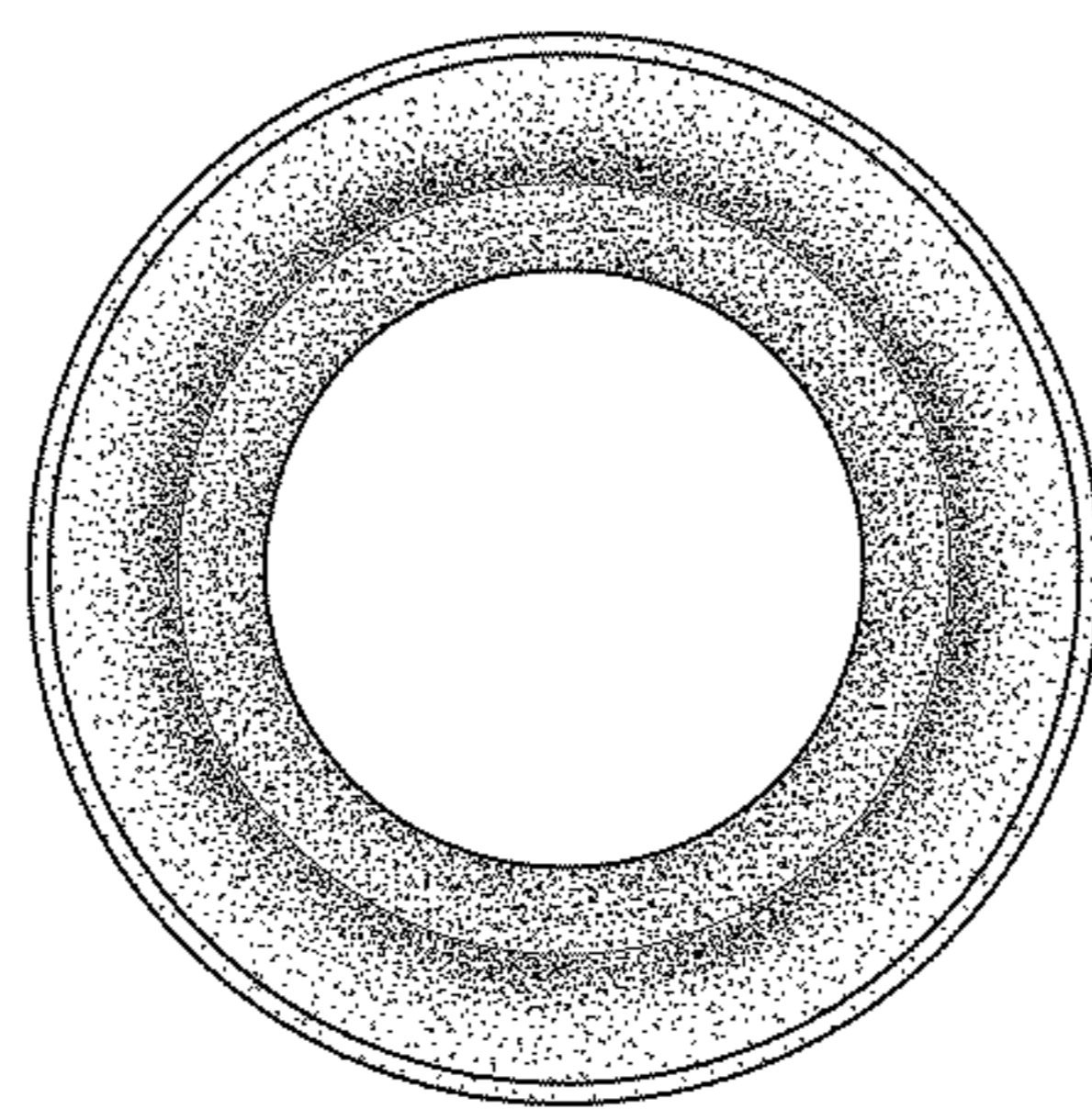


FIG. 5

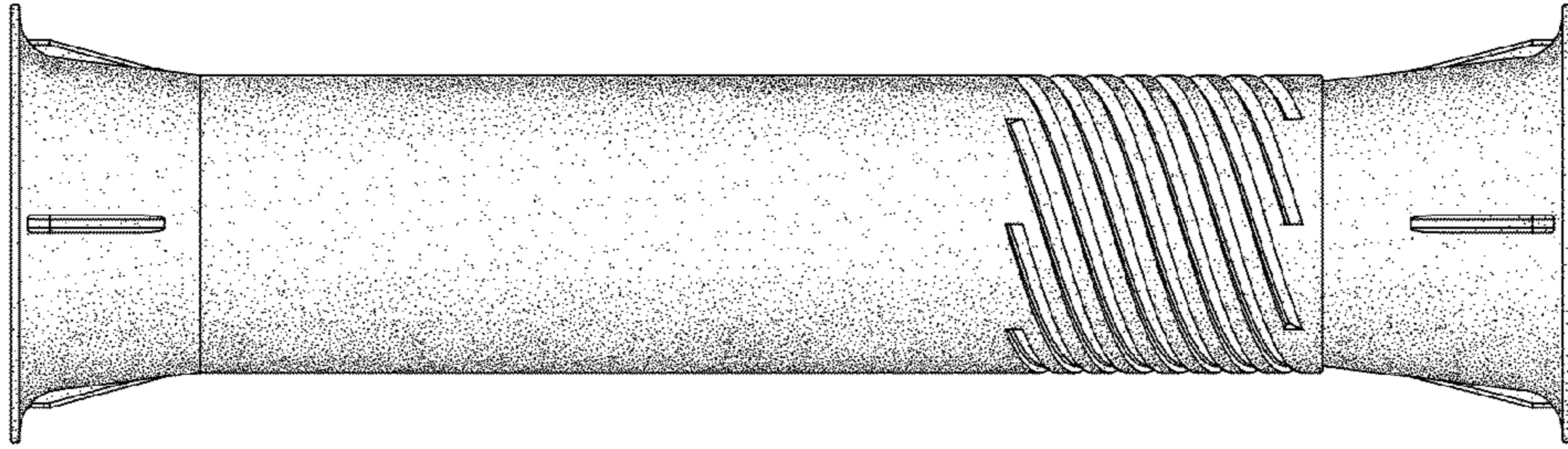


FIG. 6

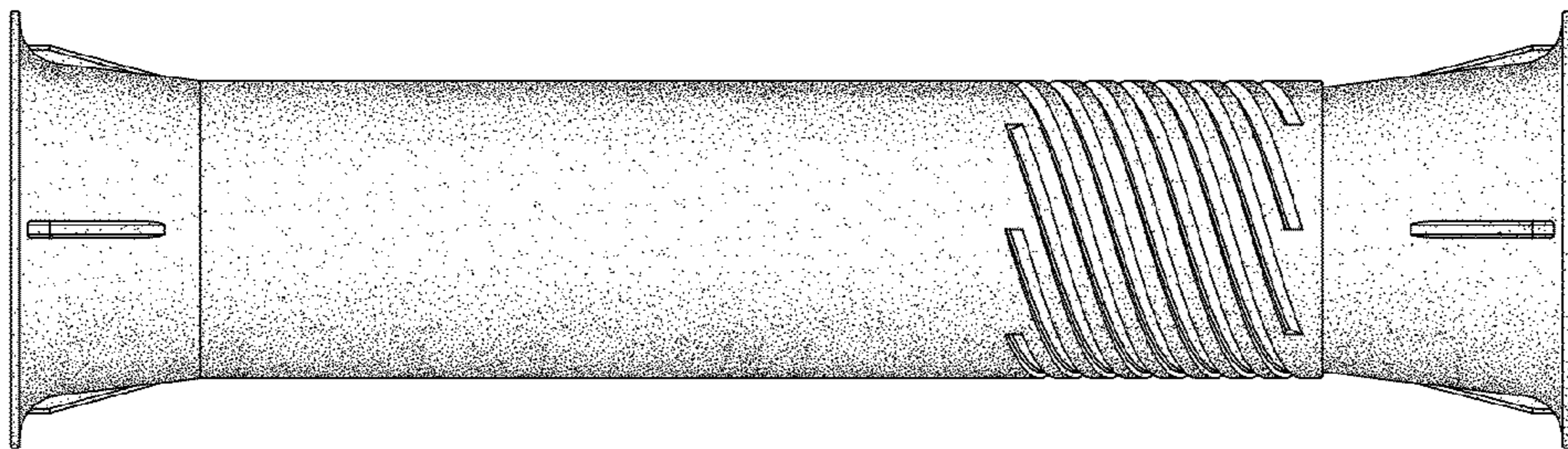


FIG. 7