



US00D738413S

(12) **United States Design Patent**
Randløv

(10) **Patent No.:** **US D738,413 S**
(45) **Date of Patent:** **** Sep. 8, 2015**

(54) **MOTOR HOUSING FOR A LINEAR ACTUATOR**

(71) Applicant: **Michael L. Randløv**, Vojens (DK)

(72) Inventor: **Michael L. Randløv**, Vojens (DK)

(73) Assignee: **Linak A/S**, Nordborg (DK)

(**) Term: **14 Years**

(21) Appl. No.: **29/469,853**

(22) Filed: **Oct. 15, 2013**

(30) **Foreign Application Priority Data**

Apr. 13, 2013 (DK) DA 2013 00029

(51) **LOC (10) Cl.** **15-09**

(52) **U.S. Cl.**
USPC **D15/143; D15/199**

(58) **Field of Classification Search**
USPC D15/1-6, 143, 199; D13/184, 199;
310/83, 10, 89, 12.25; 74/89.2, 16;
384/17; 91/41; 403/403; 312/319.8;
108/20
See application file for complete search history.

(56) **References Cited**

U.S. PATENT DOCUMENTS

6,505,543 B2 * 1/2003 Maffei 92/137
D509,520 S 9/2005 Klinke et al.
D524,335 S 7/2006 Klinke et al.
D534,560 S 1/2007 Klinke et al.

7,495,359 B2 * 2/2009 Klinke et al. 310/51
2001/0035090 A1 * 11/2001 Sato et al. 91/394
2003/0005785 A1 * 1/2003 Ung et al. 74/89.4
2009/0071271 A1 * 3/2009 Nielsen et al. 74/89.2
2009/0183940 A1 * 7/2009 Sekine et al. 180/443
2009/0295325 A1 * 12/2009 Sekine et al. 318/646
2011/0296935 A1 * 12/2011 Nielsen et al. 74/89.2
2012/0248910 A1 * 10/2012 Randlov 310/83
2013/0313907 A1 * 11/2013 Wu 307/66
2014/0091645 A1 * 4/2014 Nakagawa et al. 310/12.25
2014/0133787 A1 * 5/2014 Ishibashi et al. 384/17
2014/0298980 A1 * 10/2014 Cyren et al. 91/41

* cited by examiner

Primary Examiner — T. Chase Nelson

Assistant Examiner — Ania Aman

(74) *Attorney, Agent, or Firm* — Dykema Gossett PLLC

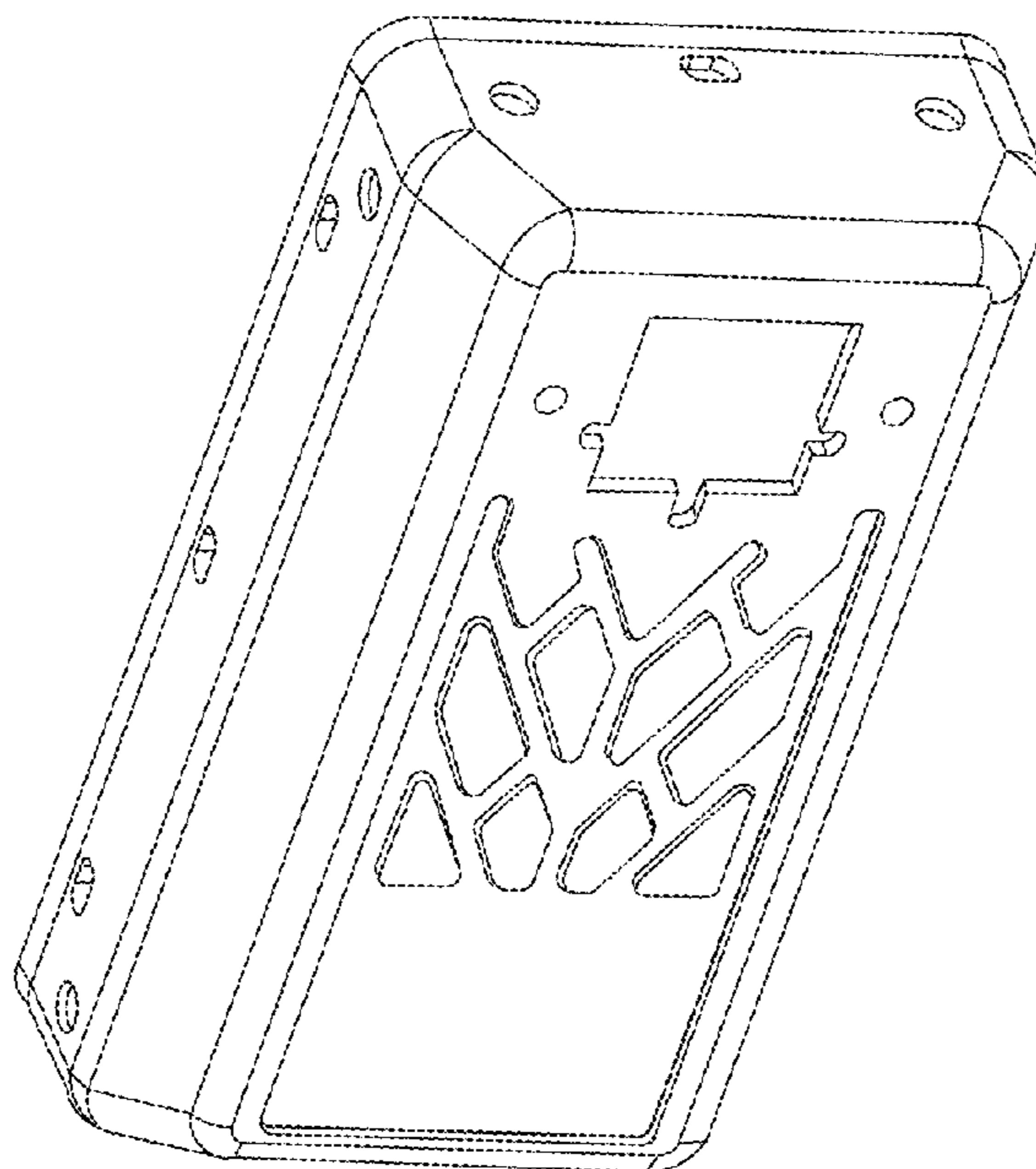
(57) **CLAIM**

The ornamental design of a motor housing for a linear actuator, as shown and described.

DESCRIPTION

FIG. 1 is a perspective bottom view of a motor housing for a linear actuator showing my new and ornamental design, FIG. 2 is a perspective top view thereof, FIG. 3 is a perspective top view similar to FIG. 2 with the cover removed, FIG. 4 is a top plan view thereof with the cover removed, FIG. 5 is a bottom plan view thereof, FIG. 6 is a left side view thereof, FIG. 7 is a right side view thereof, FIG. 8 is a rear end view thereof; and, FIG. 9 is a front end view thereof.

1 Claim, 4 Drawing Sheets



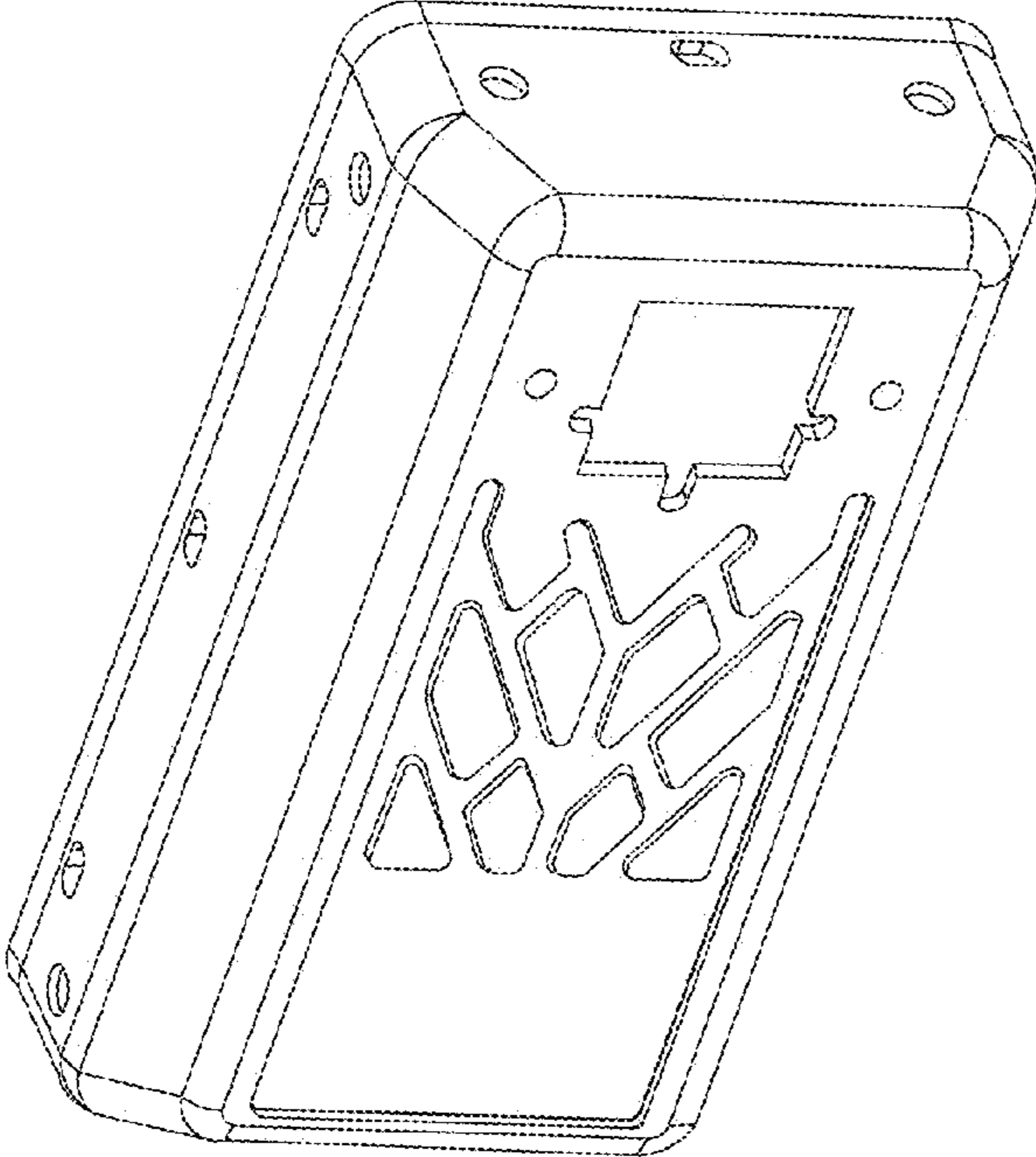


FIG. 1

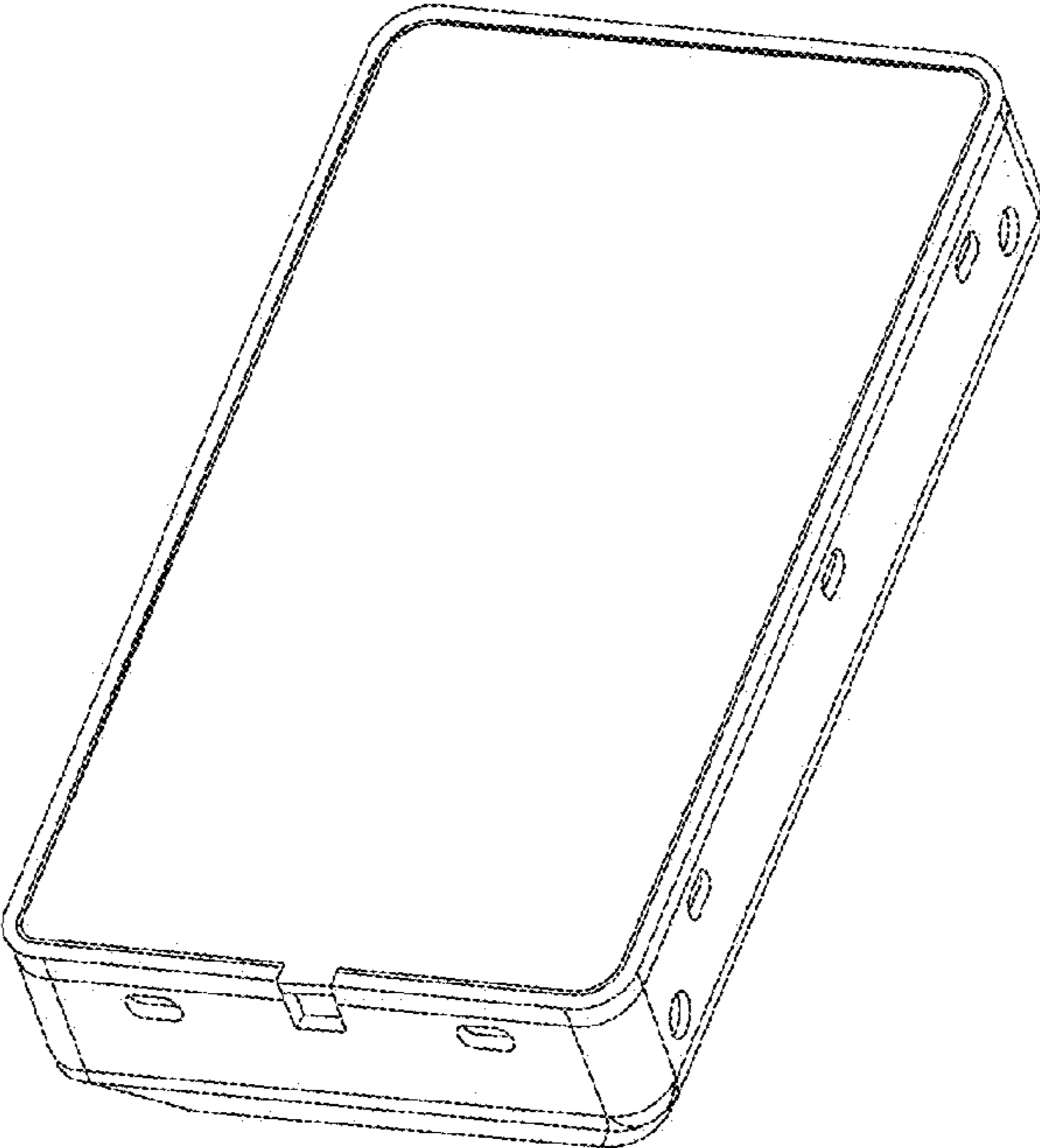


FIG. 2

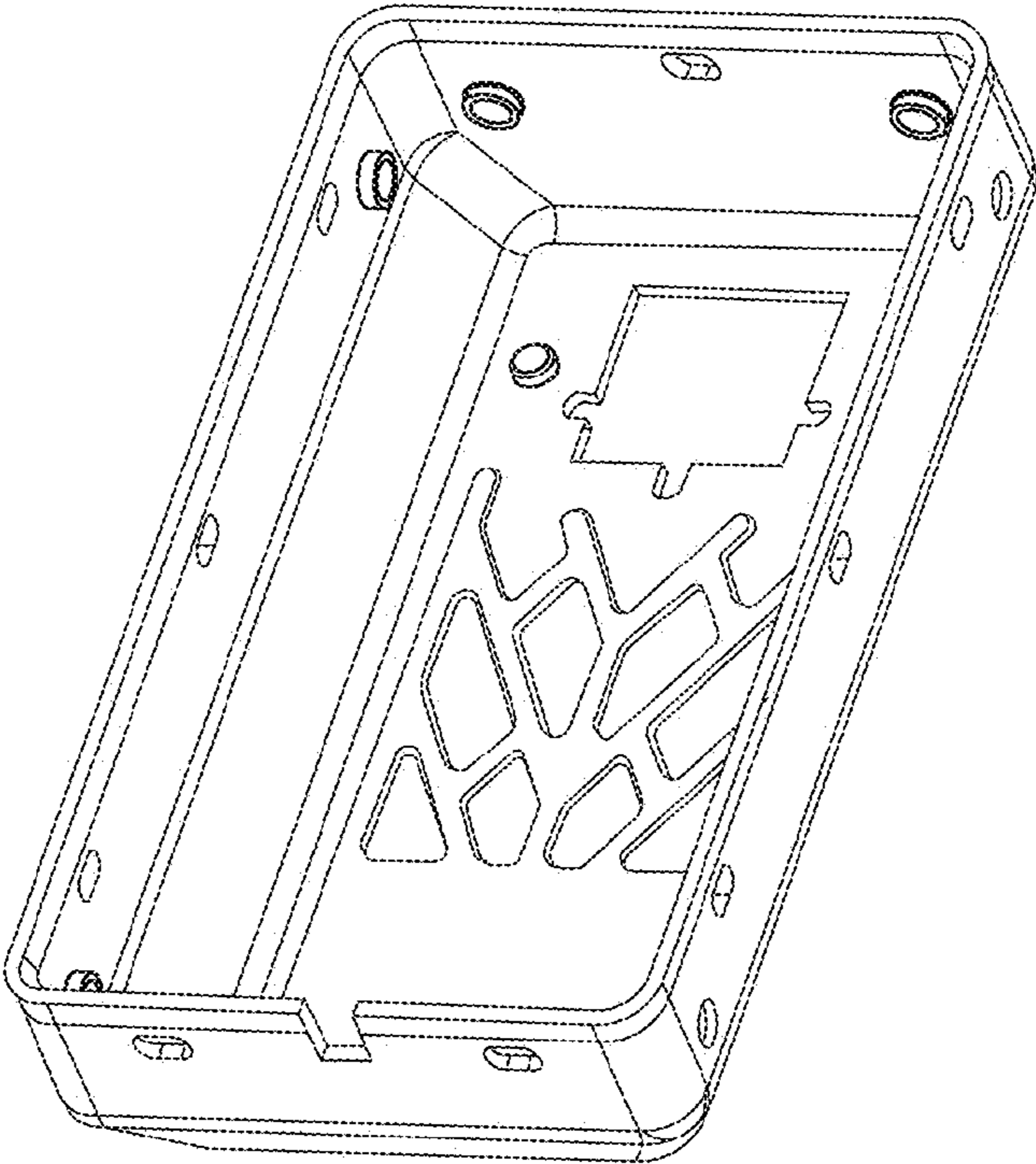


FIG. 3

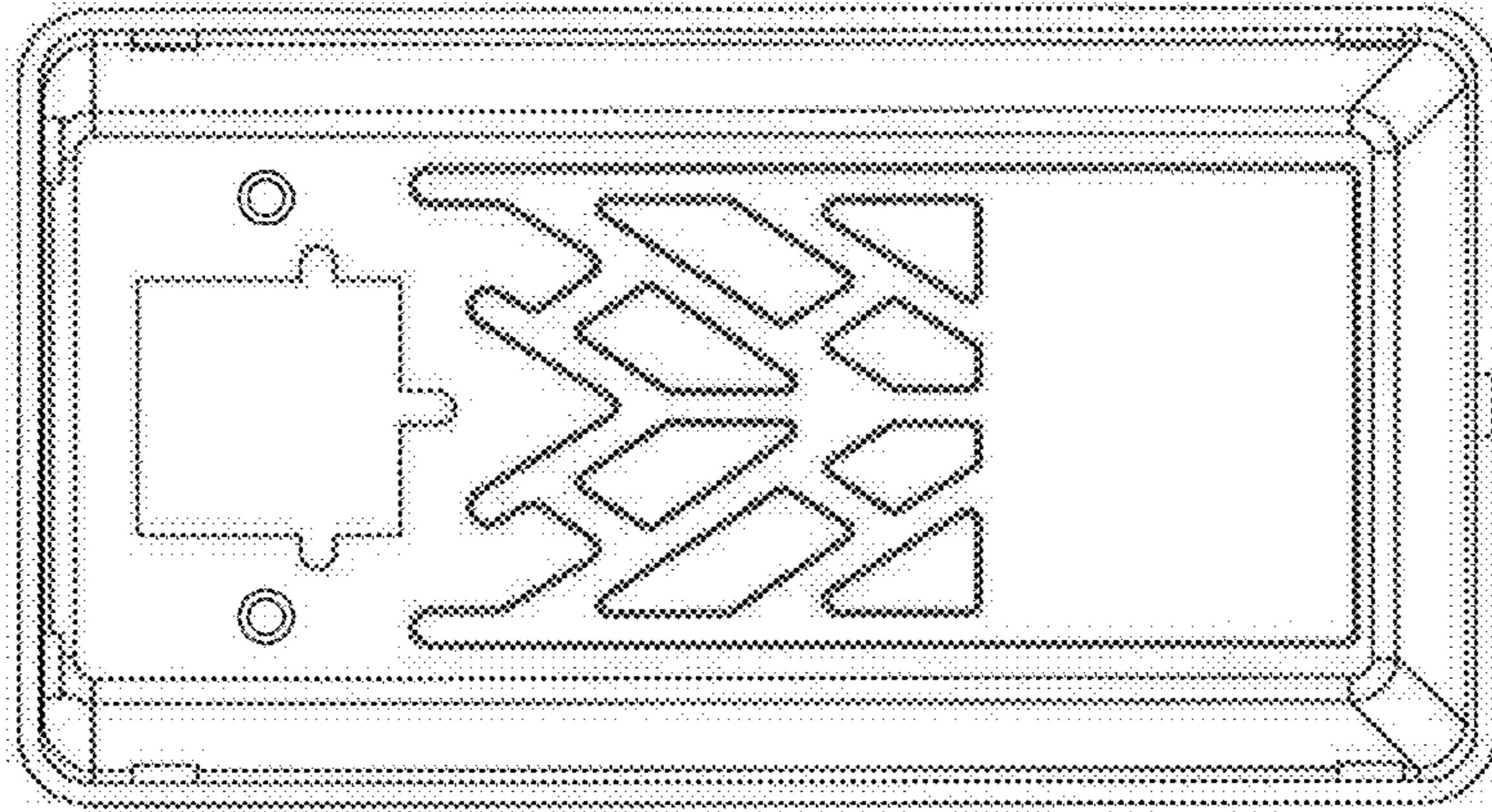


FIG. 4

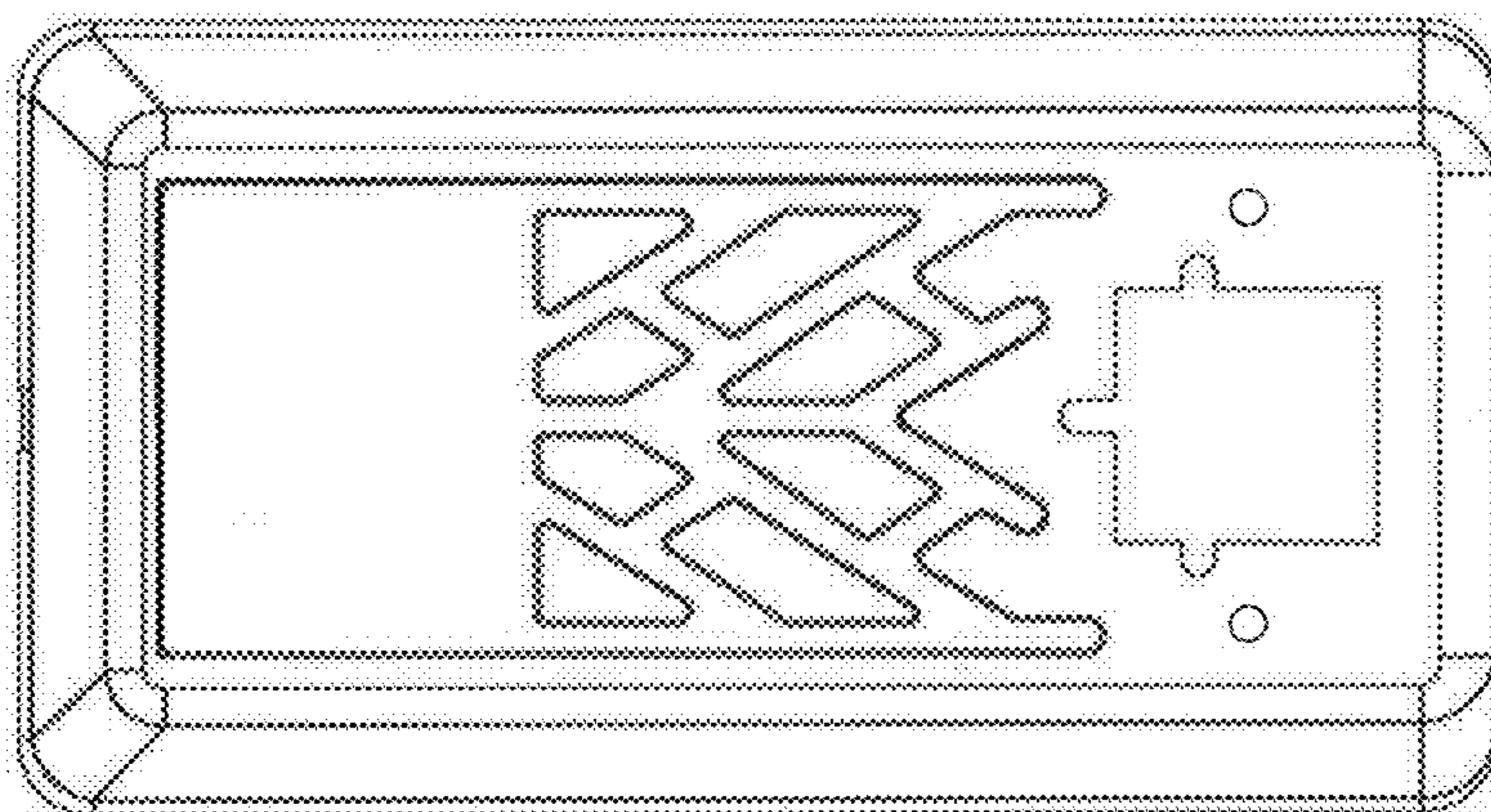


FIG. 5

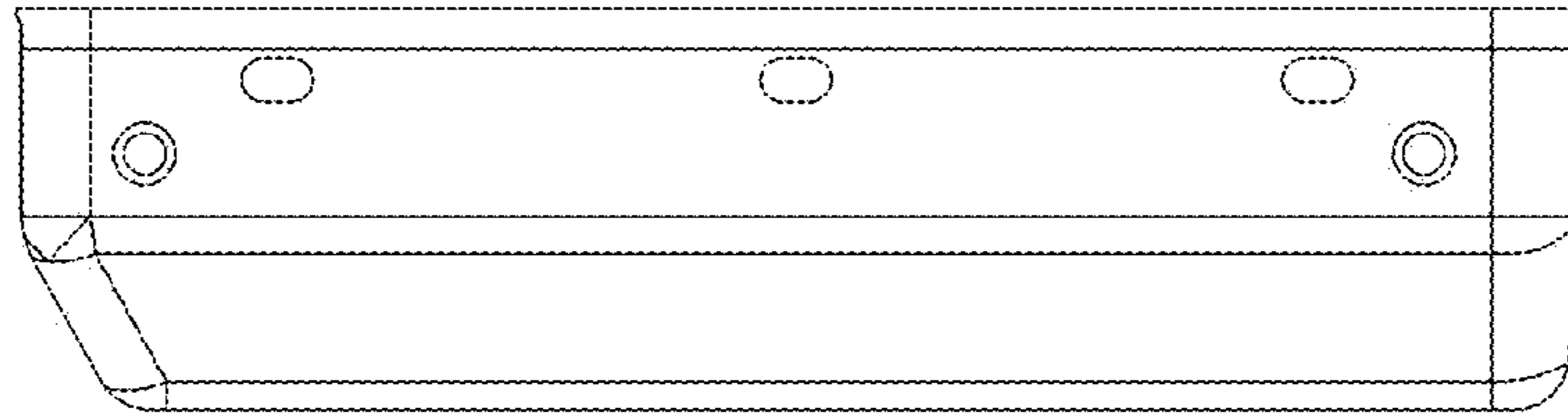


FIG. 6

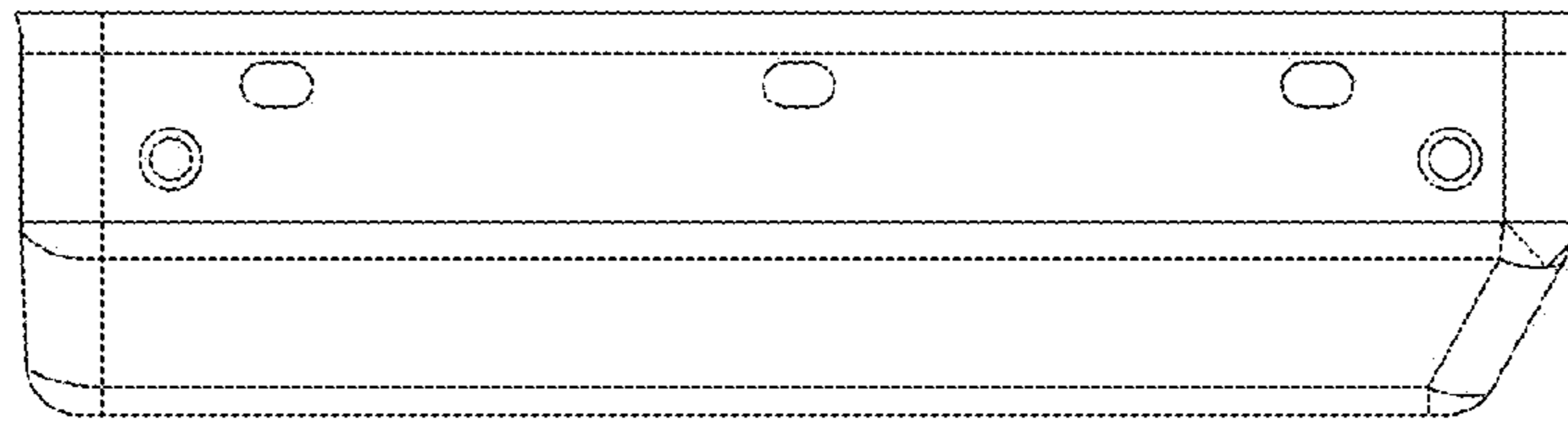


FIG. 7

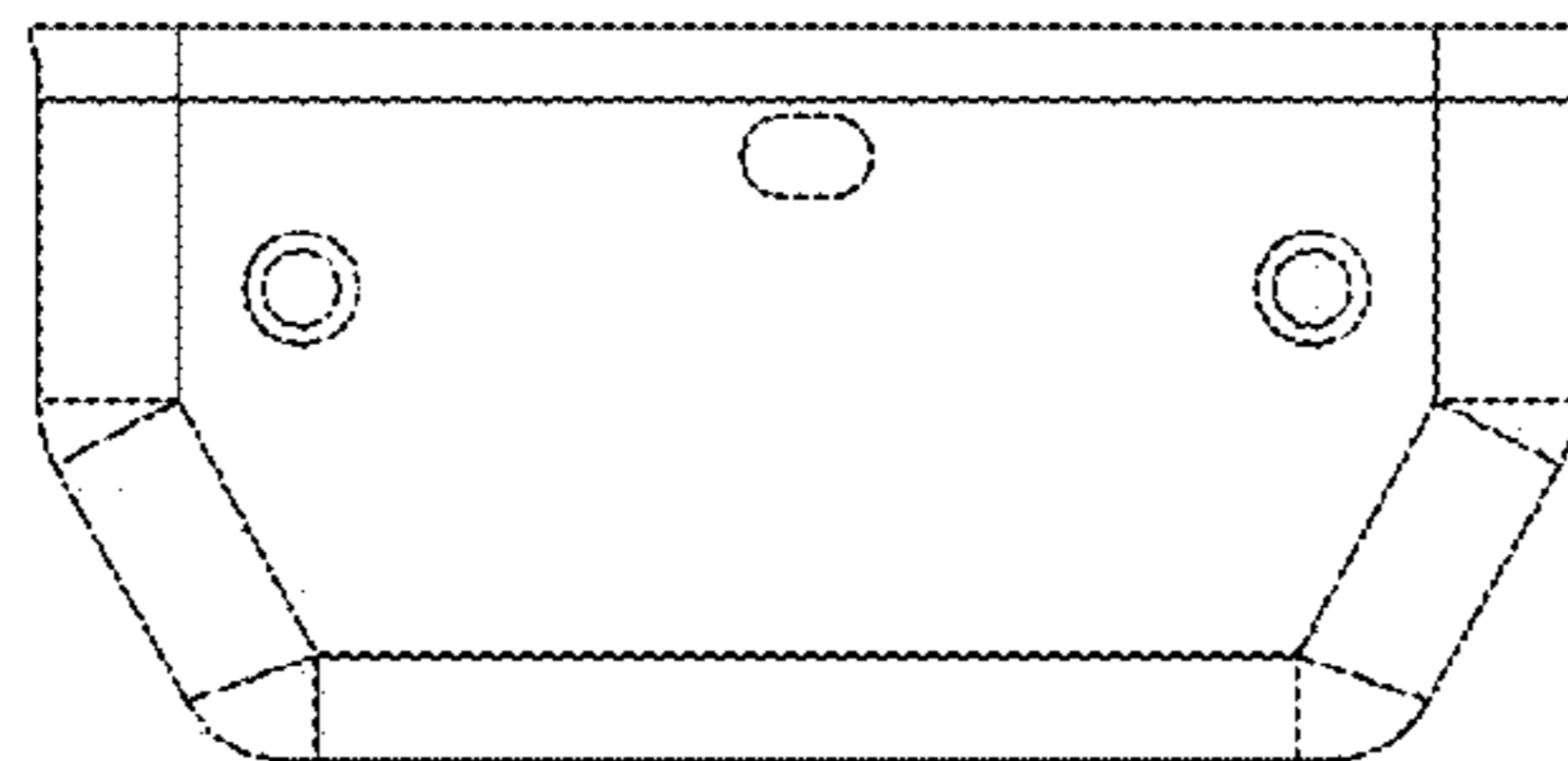


FIG. 8

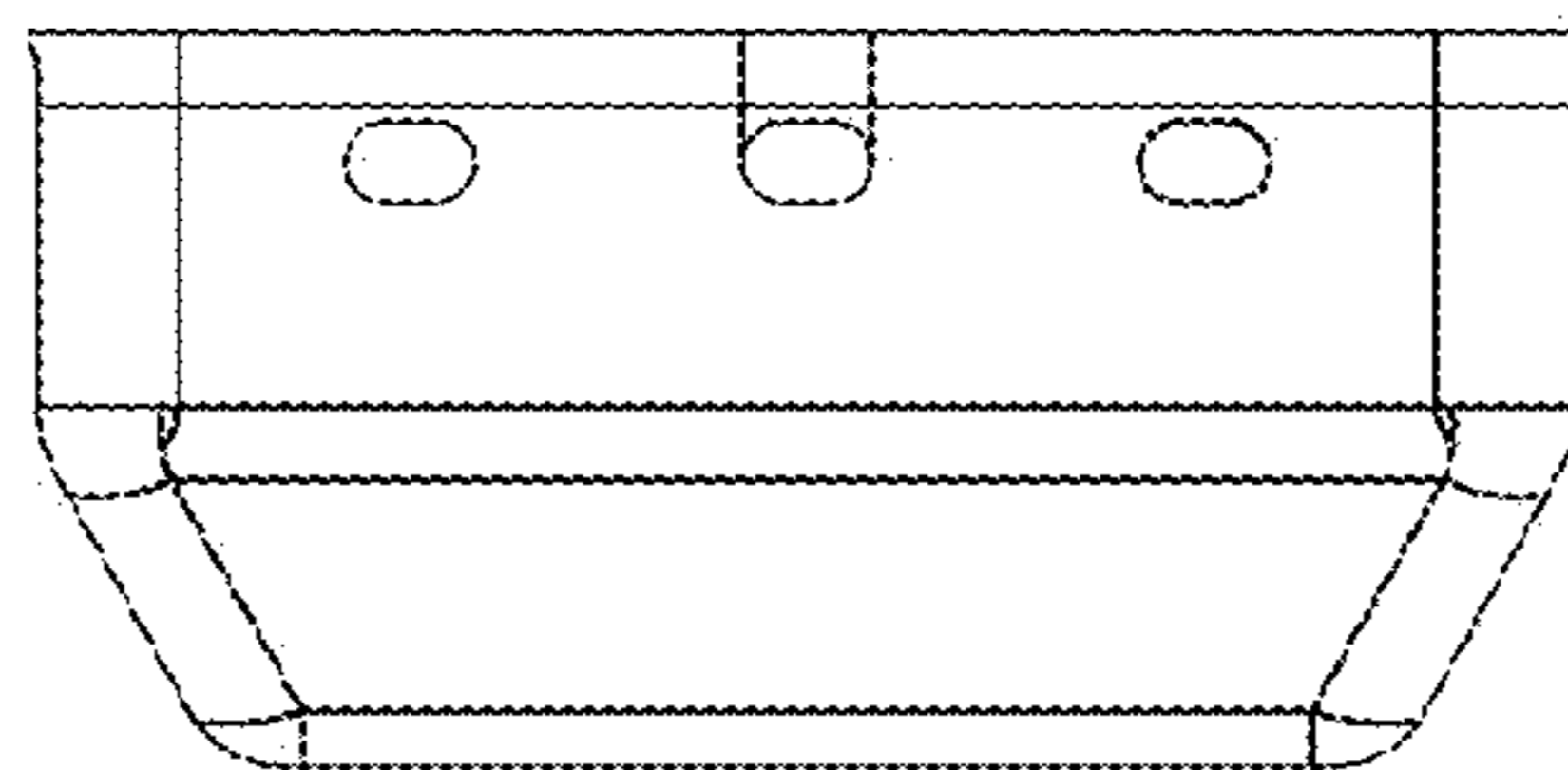


FIG. 9