

US00D738412S

(12) **United States Design Patent**
Choi et al.

(10) **Patent No.:** **US D738,412 S**

(45) **Date of Patent:** **** Sep. 8, 2015**

(54) **CUTTING INSERT**

(71) Applicant: **TaeguTec Ltd.**, Daegu (KR)

(72) Inventors: **Chang Hee Choi**, Daegu (KR); **Chang Gyu Park**, Daegu (KR); **Kang Sool Jung**, Daegu (KR)

(73) Assignee: **TaeguTec Ltd.**, Daegu (KR)

(**) Term: **14 Years**

(21) Appl. No.: **29/494,363**

(22) Filed: **Jun. 19, 2014**

(30) **Foreign Application Priority Data**

Dec. 25, 2013 (JP) 2013-030339

(51) **LOC (10) Cl.** **15-09**

(52) **U.S. Cl.**
USPC **D15/139**

(58) **Field of Classification Search**
USPC D15/131, 138, 139, 140
See application file for complete search history.

(56) **References Cited**

U.S. PATENT DOCUMENTS

5,207,538	A *	5/1993	Satran	407/113
D347,642	S *	6/1994	Lindberg	D15/139
5,417,608	A *	5/1995	Elliott	451/81
5,441,370	A *	8/1995	Pantzar et al.	407/113
5,466,097	A *	11/1995	Wallstrom	407/113
5,513,931	A *	5/1996	Reiterman et al.	407/113
5,775,855	A *	7/1998	Reiterman et al.	407/42
5,810,519	A *	9/1998	Vogel et al.	407/114
5,853,267	A *	12/1998	Satran et al.	407/113
D404,406	S *	1/1999	Satran et al.	D15/139
5,957,755	A *	9/1999	LaFlamme	451/48
6,142,716	A *	11/2000	Jordberg et al.	407/114
6,196,770	B1 *	3/2001	Astrom et al.	407/40
6,503,028	B1 *	1/2003	Wallstrom	407/35

D486,505	S *	2/2004	Arvidsson	D15/139
7,147,407	B2 *	12/2006	Satran	407/42
7,452,167	B2 *	11/2008	Nishio et al.	407/113
7,815,402	B2 *	10/2010	Yoshida et al.	407/113
7,878,738	B2 *	2/2011	Kammermeier et al.	407/114
7,905,687	B2 *	3/2011	Dufour et al.	407/42
7,972,091	B2 *	7/2011	Svenningsson et al.	407/113
8,172,487	B2 *	5/2012	Ballas	407/113
8,313,270	B2 *	11/2012	Hecht	407/113
8,371,774	B2 *	2/2013	Zastrozynski	407/113
8,556,546	B2 *	10/2013	Smilovici et al.	407/42
8,579,558	B2 *	11/2013	Hatta	409/132
8,696,263	B2 *	4/2014	Saji	407/113
D705,281	S *	5/2014	Heinasenaho	D15/139
D705,828	S *	5/2014	Imai et al.	D15/139
8,834,075	B2 *	9/2014	Choi et al.	407/113
D715,840	S *	10/2014	Park	D15/139
8,950,984	B2 *	2/2015	Choi et al.	407/114
8,998,542	B2 *	4/2015	Ishi	407/42
9,039,335	B2 *	5/2015	Hedberg	407/40

* cited by examiner

Primary Examiner — Patricia Palasik

(74) *Attorney, Agent, or Firm* — Hamre, Schumann, Mueller & Larson, P.C.

(57) **CLAIM**

The ornamental design for a cutting insert, as shown and described.

DESCRIPTION

FIG. 1 is a perspective view of a cutting insert showing our new design;
FIG. 2 is a front elevational view thereof;
FIG. 3 is a rear elevational view thereof;
FIG. 4 is a left side view thereof;
FIG. 5 is a right side view thereof;
FIG. 6 is a top plan view thereof;
FIG. 7 is a cross-sectional view taken along line 7-7 of FIG. 2 thereof; and,
FIG. 8 is a bottom plan view.

1 Claim, 4 Drawing Sheets

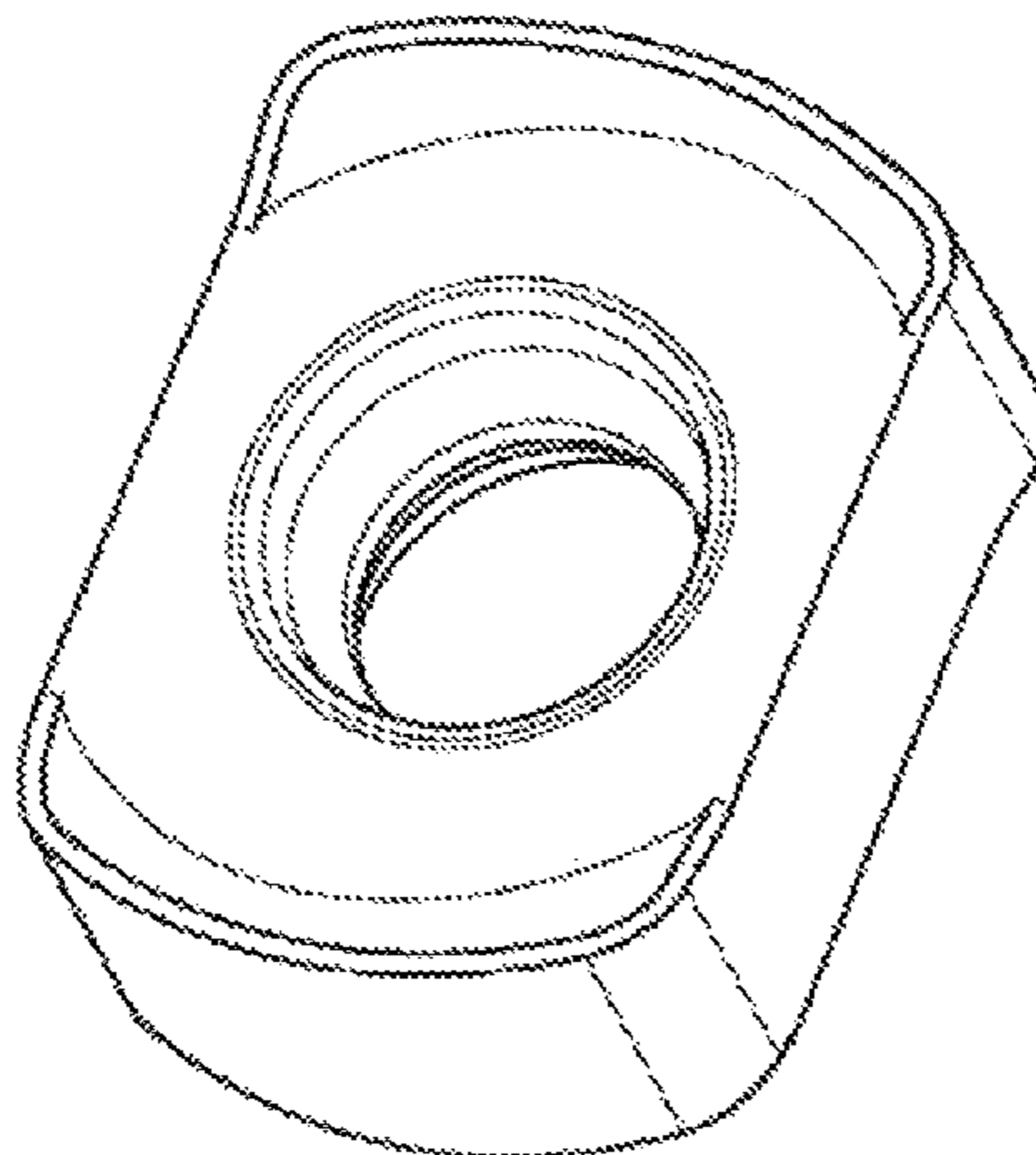


FIG. 1

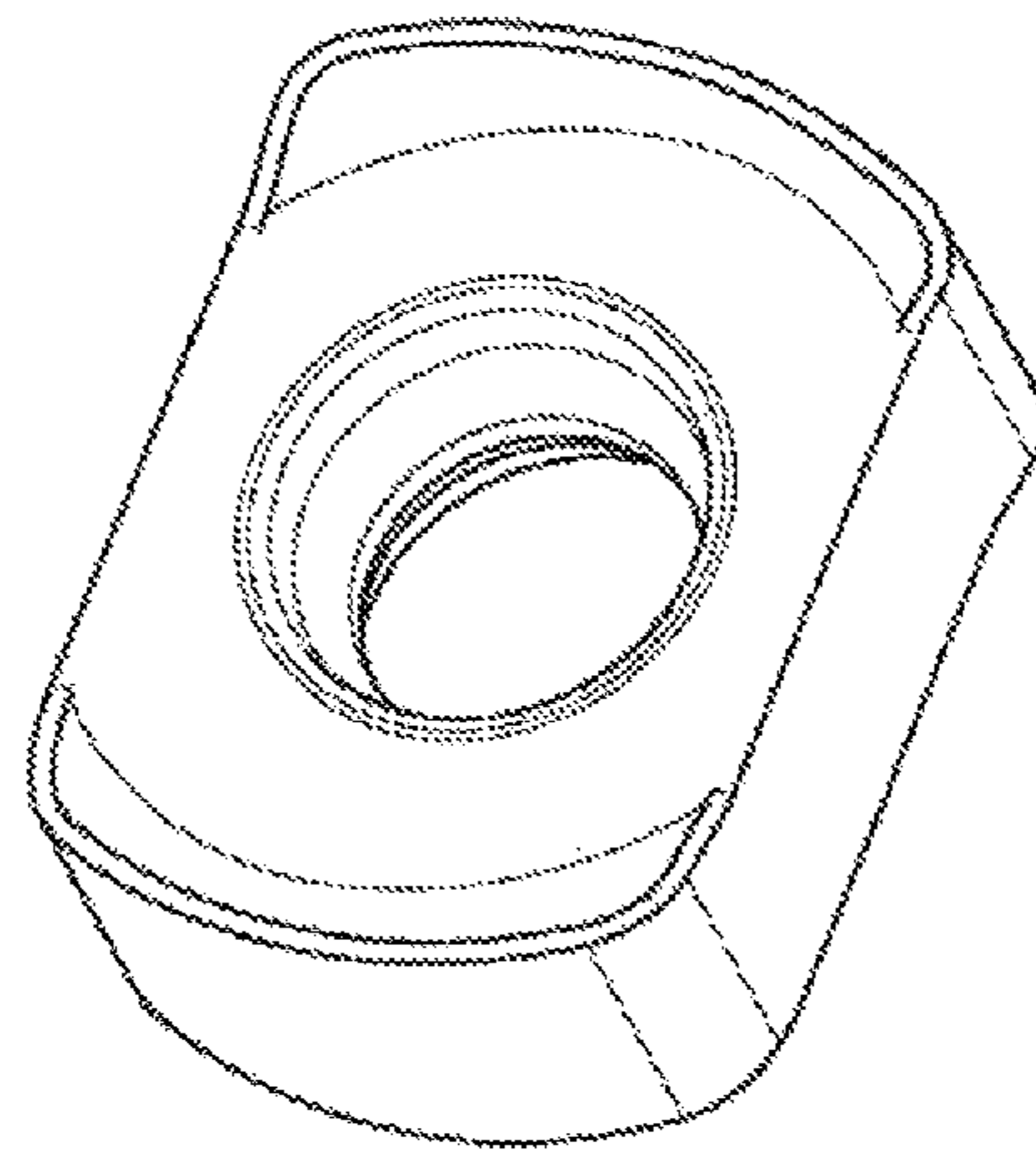


FIG. 2

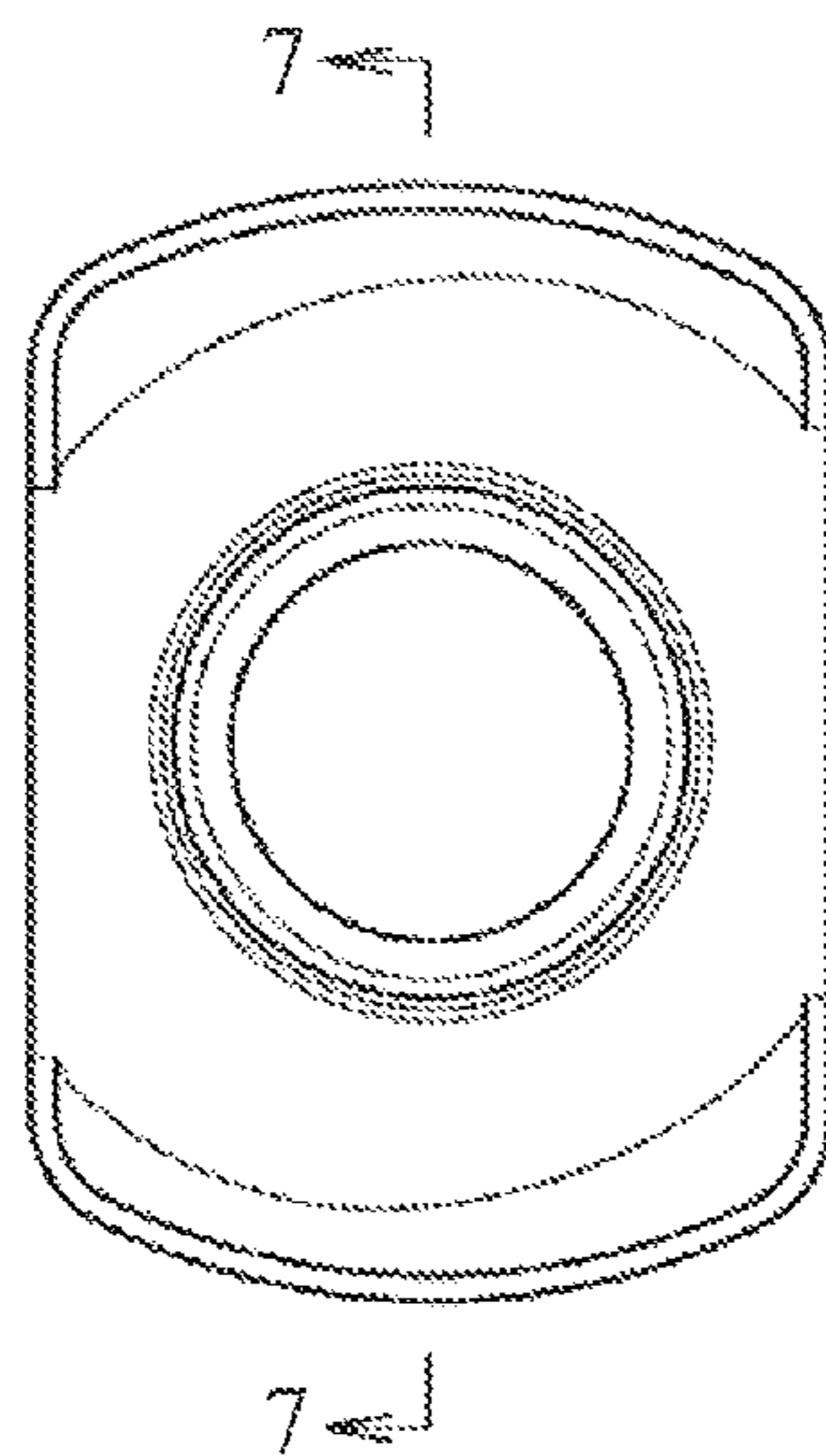


FIG. 3

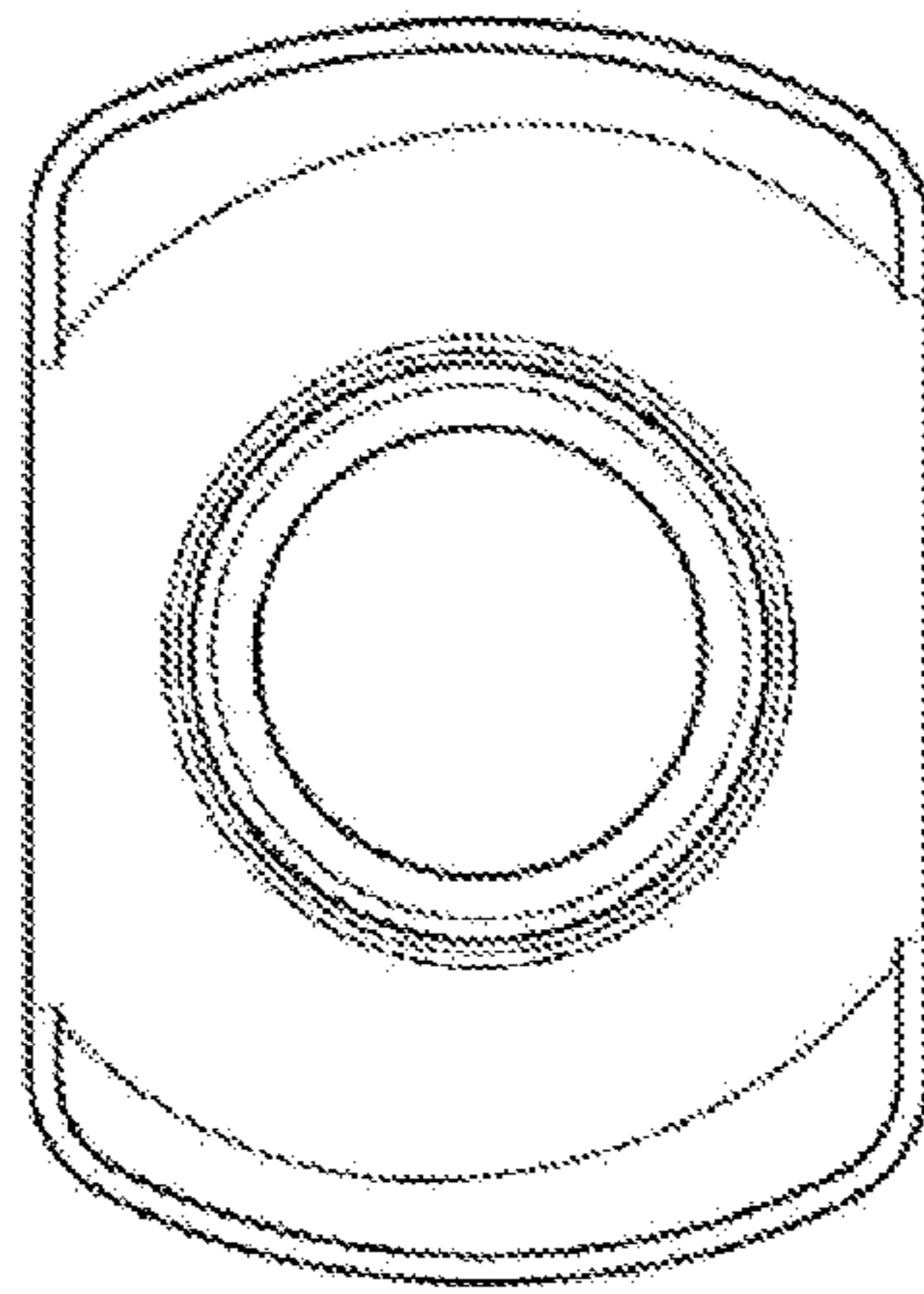


FIG. 4



FIG. 5

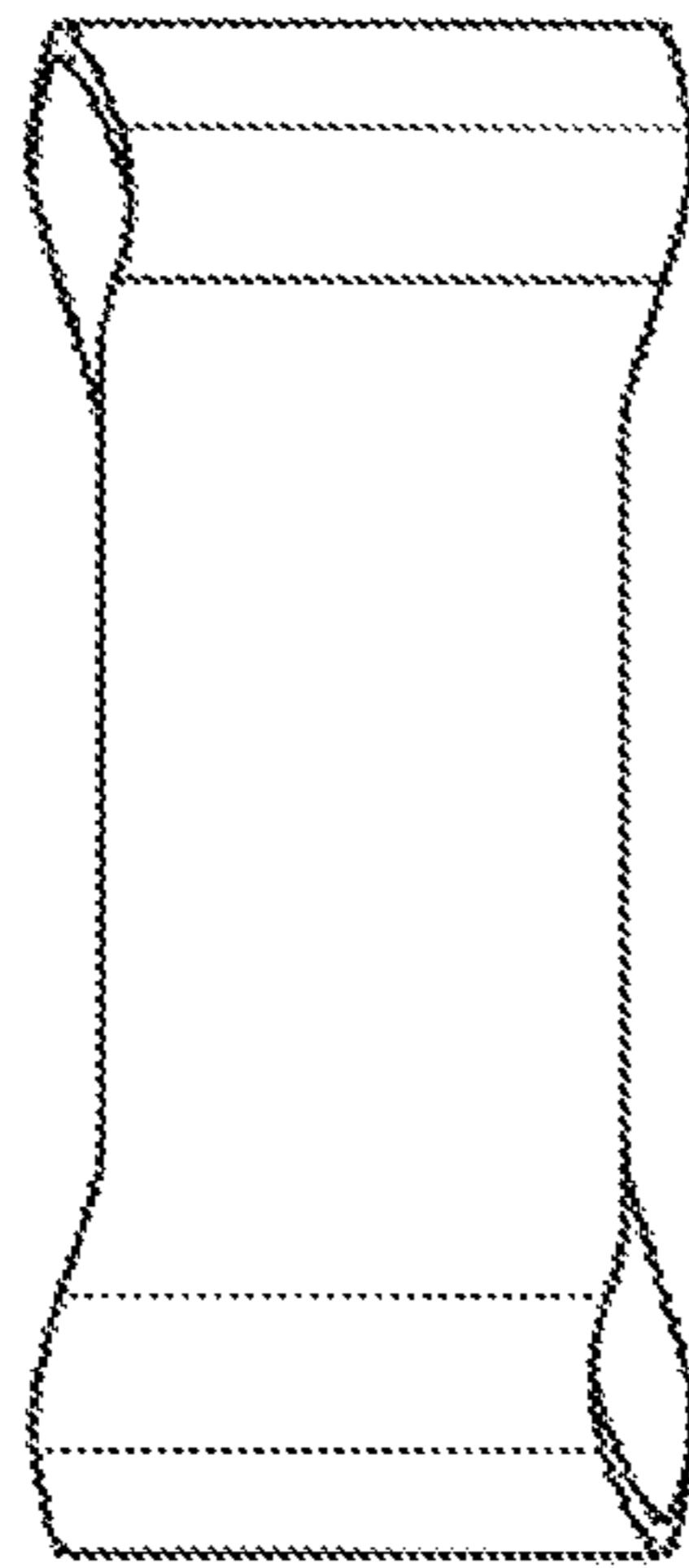


FIG. 6

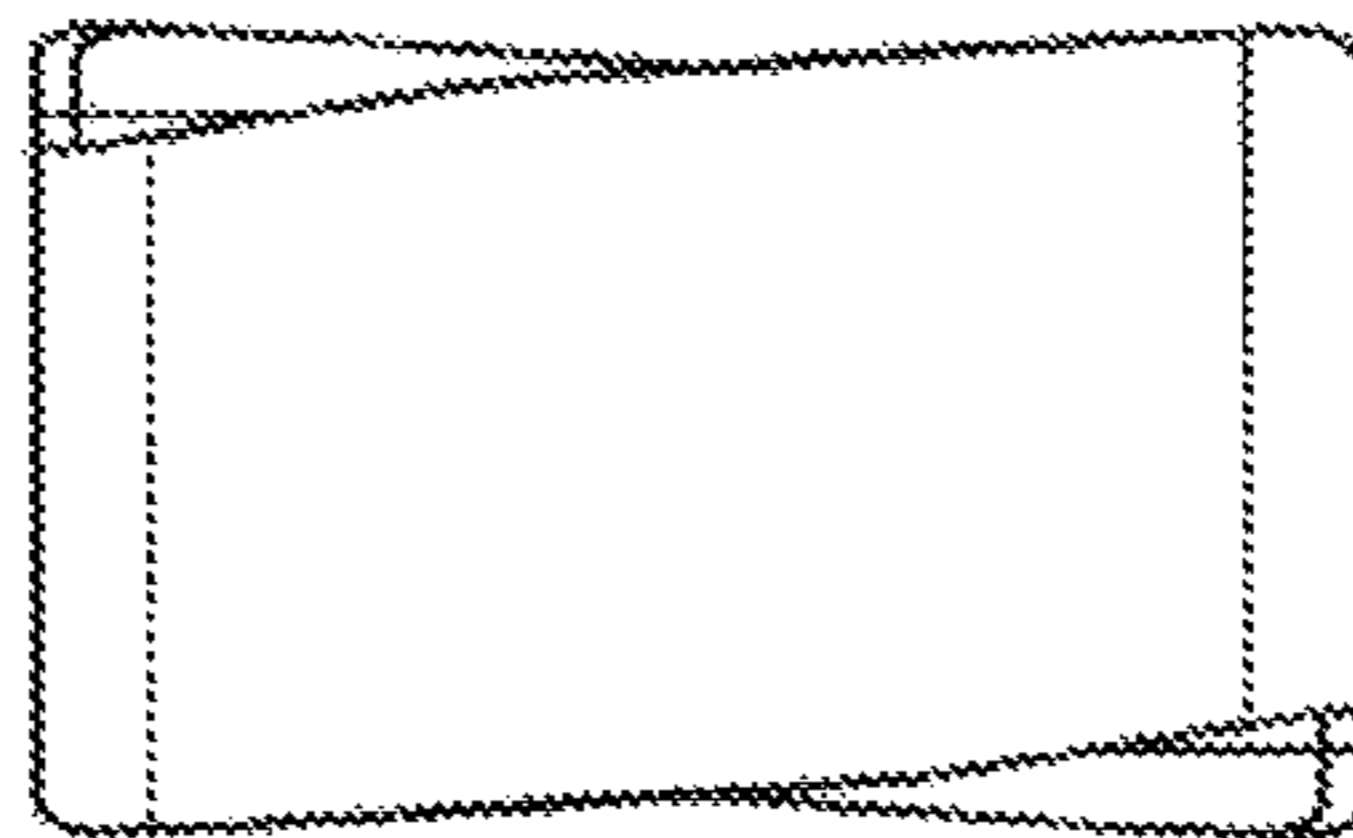


FIG. 7

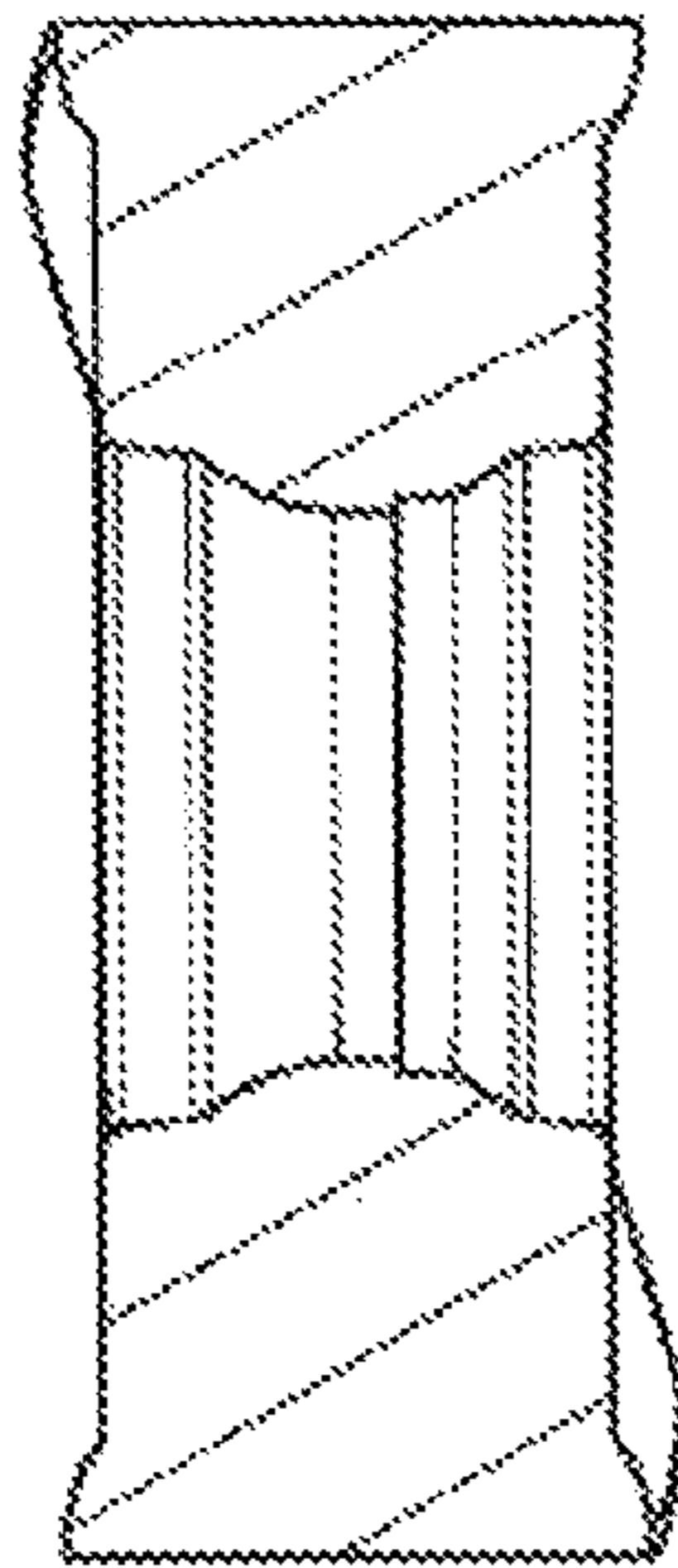


FIG. 8

