



US00D738411S

(12) **United States Design Patent**  
**Kim**

(10) **Patent No.:** **US D738,411 S**

(45) **Date of Patent:** **\*\* Sep. 8, 2015**

(54) **CUTTING INSERT**

(71) Applicant: **TaeguTec Ltd.**, Daegu (KR)

(72) Inventor: **Chang Su Kim**, Daegu (KR)

(73) Assignee: **TaeguTec Ltd.**, Daegu (KR)

(\*\*) Term: **14 Years**

(21) Appl. No.: **29/477,869**

(22) Filed: **Dec. 27, 2013**

(51) **LOC (10) Cl.** ..... **15-09**

(52) **U.S. Cl.**  
USPC ..... **D15/139**

(58) **Field of Classification Search**  
USPC ..... D15/139, 131, 138; 407/33, 42, 113, 407/114  
CPC ..... B23C 2200/00–2200/0427; B23C 2200/0488; B23C 2200/08–2200/087; B23C 2200/286; B23C 2200/12–2200/128  
See application file for complete search history.

(56) **References Cited**

**U.S. PATENT DOCUMENTS**

5,904,450	A *	5/1999	Satran et al.	407/113
D460,768	S *	7/2002	Svensson	D15/139
D482,706	S *	11/2003	Svensson	D15/139
D559,286	S *	1/2008	Waggle et al.	D15/139
D640,716	S *	6/2011	Takahashi et al.	D15/139
7,976,249	B2 *	7/2011	Priller et al.	407/53
D651,224	S *	12/2011	Takahashi et al.	D15/139
D714,849	S *	10/2014	Choi et al.	D15/139
2010/0221076	A1 *	9/2010	Takahashi et al.	407/42
2012/0093596	A1 *	4/2012	Ishi	407/113

2012/0155976	A1 *	6/2012	Ishi	407/33
2014/0003874	A1 *	1/2014	Riviere et al.	407/64
2014/0126970	A1 *	5/2014	Maeta et al.	407/114

**OTHER PUBLICATIONS**

Sandvik Coromant, Insert Information <[http://www.sandvik.coromant.com/en-us/knowledge/general\\_turning/how-to-achieve-good-component-quality/insert-information/Pages/default.aspx](http://www.sandvik.coromant.com/en-us/knowledge/general_turning/how-to-achieve-good-component-quality/insert-information/Pages/default.aspx)>.\*  
Sandvik Coromant, Metalcutting Technical Guide: General Turning, <[http://www.sandvik.coromant.com/sitecollectiondocuments/downloads/global/catalogues/en-gb/turning/turn\\_a.pdf](http://www.sandvik.coromant.com/sitecollectiondocuments/downloads/global/catalogues/en-gb/turning/turn_a.pdf)>.\*  
High-Performance Indexable Carbide Milling Systems, Mil-Tec USA, <<http://www.toolalliance.com/files/MTI2012.pdf>>, p. 10-11.\*  
Sandvik Coromant, Rotating Tools: Drilling, 2012 Edition, <[http://www.sandvik.coromant.com/SiteCollectionDocuments/downloads/global/catalogues/en-us/Rotating/ROT\\_D.pdf](http://www.sandvik.coromant.com/SiteCollectionDocuments/downloads/global/catalogues/en-us/Rotating/ROT_D.pdf)>, p. D42.\*

\* cited by examiner

*Primary Examiner* — Susan Bennett Hattan

*Assistant Examiner* — Brett Miller

(74) *Attorney, Agent, or Firm* — Hamre, Schumann, Mueller & Larson, P.C.

(57) **CLAIM**

The ornamental design for a cutting insert, as shown.

**DESCRIPTION**

FIG. 1 is a perspective view of a cutting insert showing my new design;  
FIG. 2 is a front elevational view thereof;  
FIG. 3 is a rear elevational view thereof;  
FIG. 4 is a left side view thereof;  
FIG. 5 is a right side view thereof;  
FIG. 6 is a top plan view thereof;  
FIG. 7 is a bottom plan view thereof; and,  
FIG. 8 is a cross-sectional view taken along line 8-8 of FIG. 2. The broken lines depict portions of the cutting insert that form no part of the claimed design.

**1 Claim, 4 Drawing Sheets**

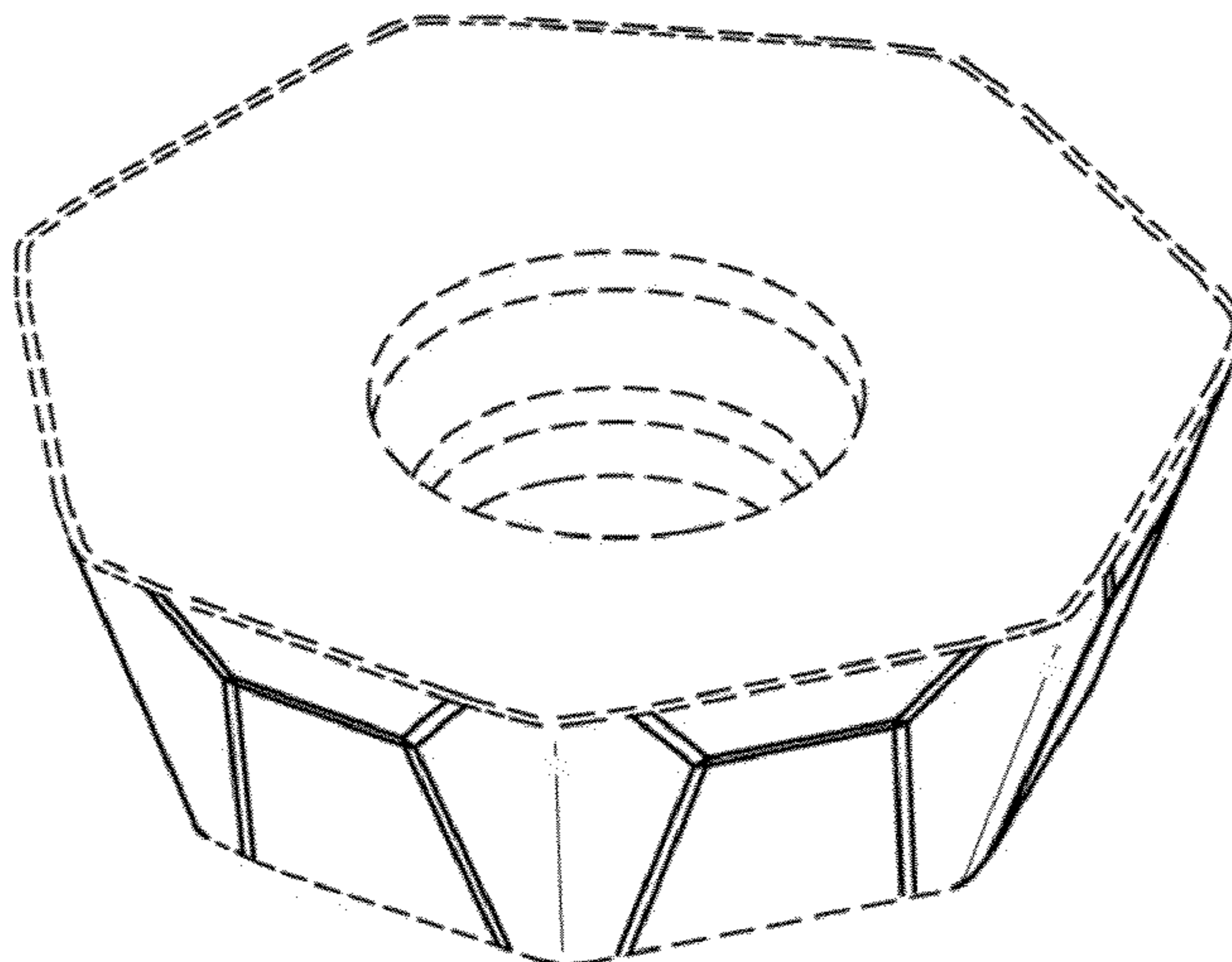


FIG. 1

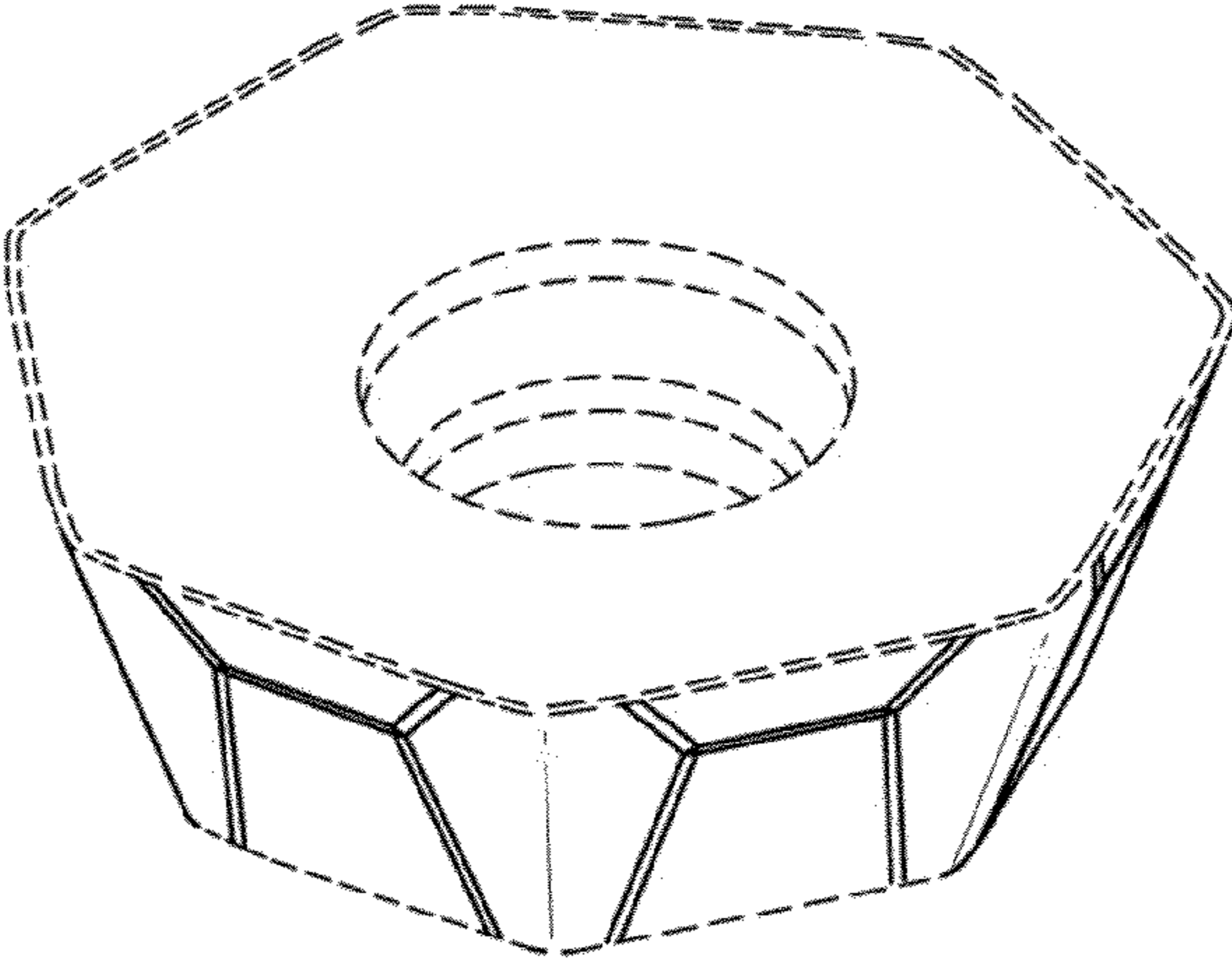


FIG. 2

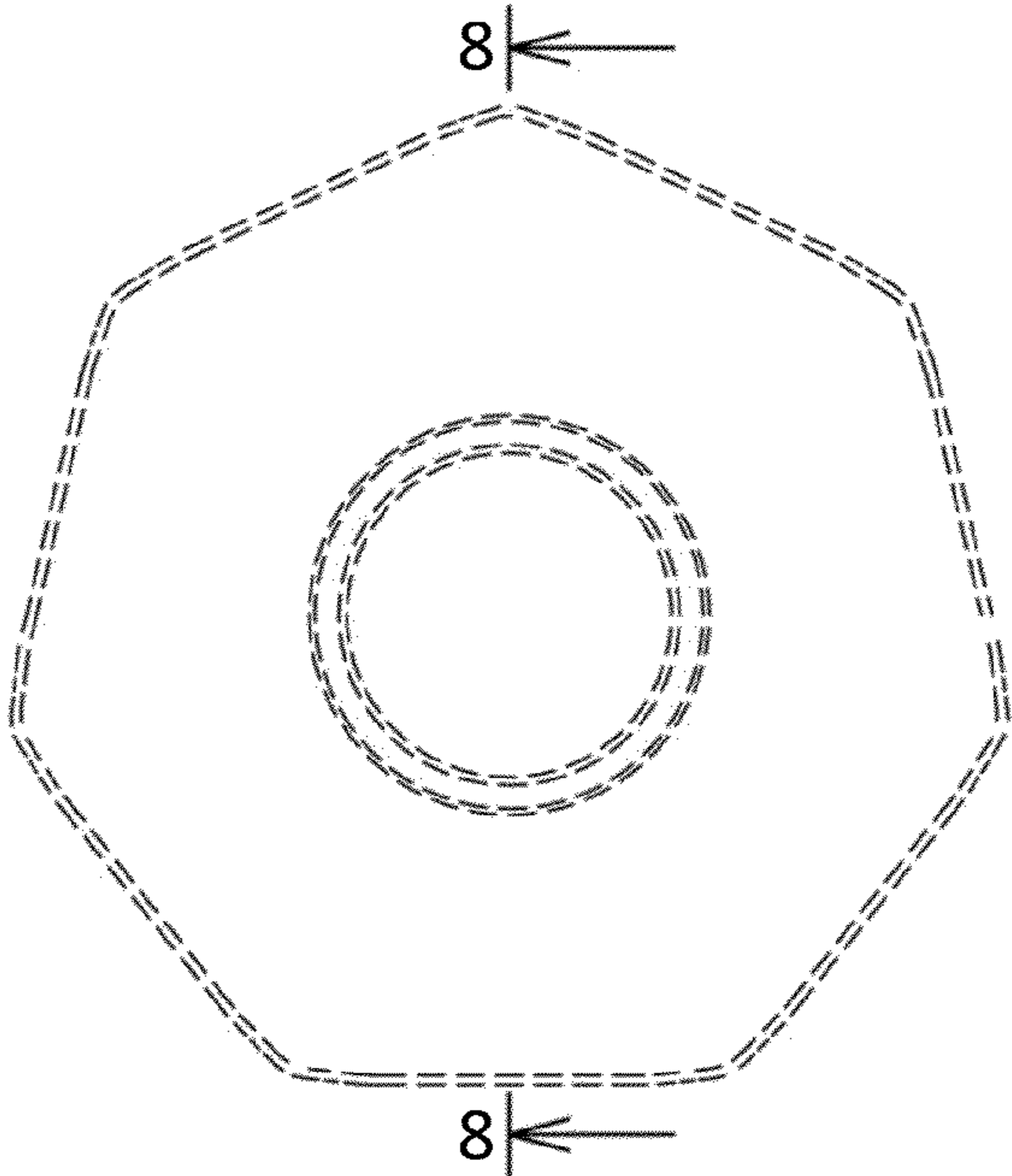


FIG. 3

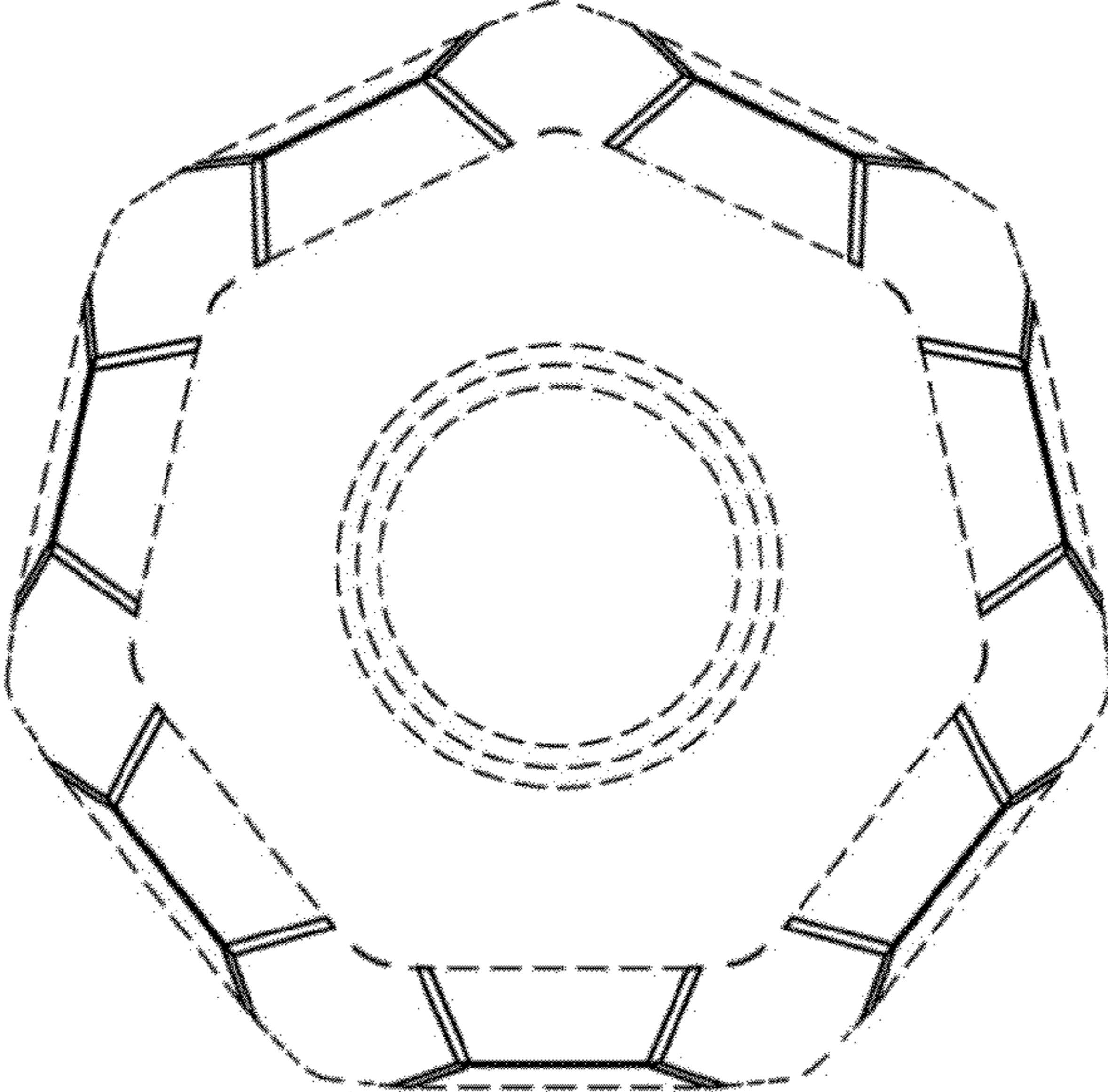


FIG. 4

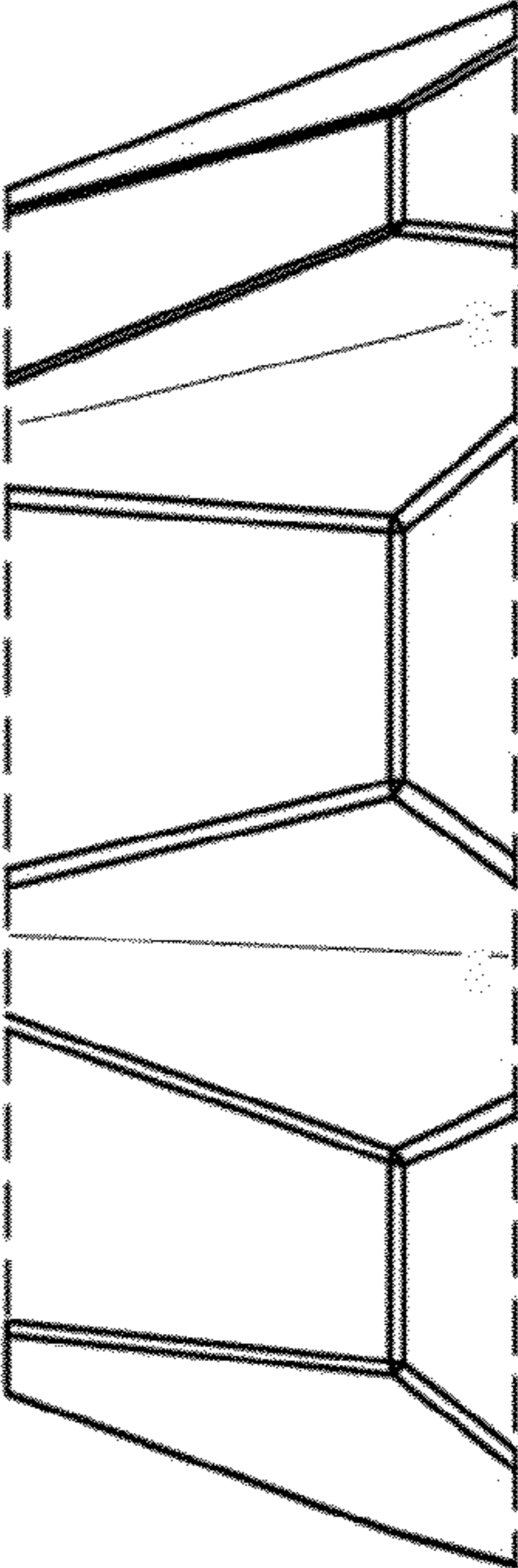


FIG. 5

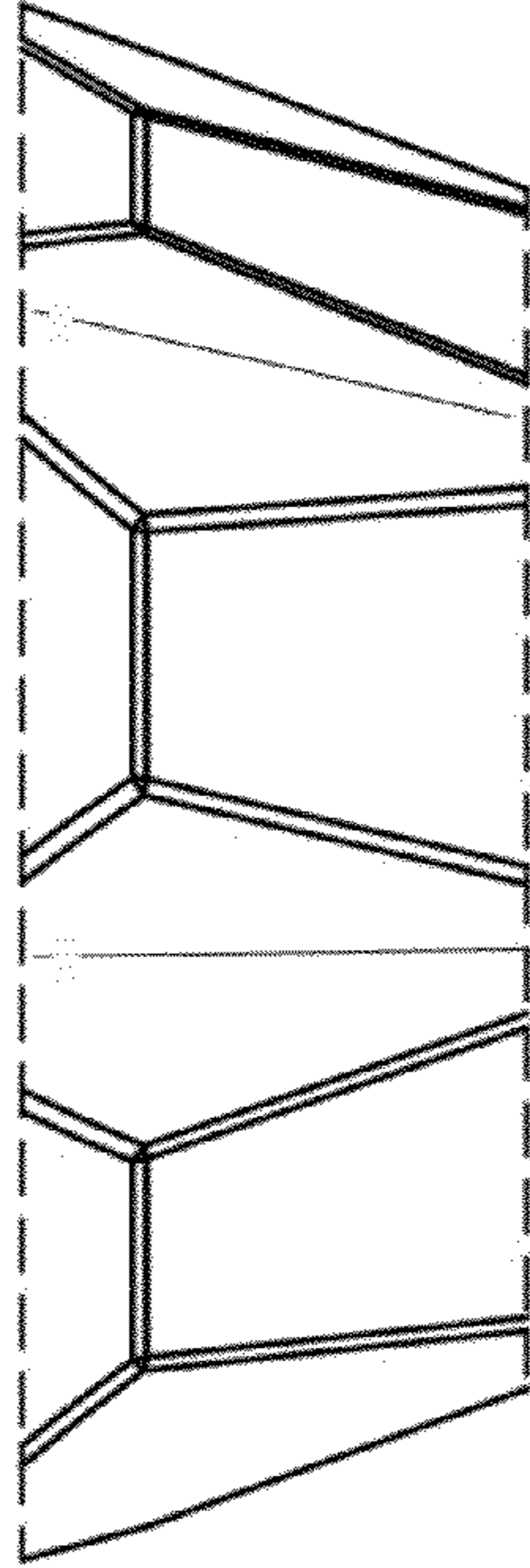


FIG. 6

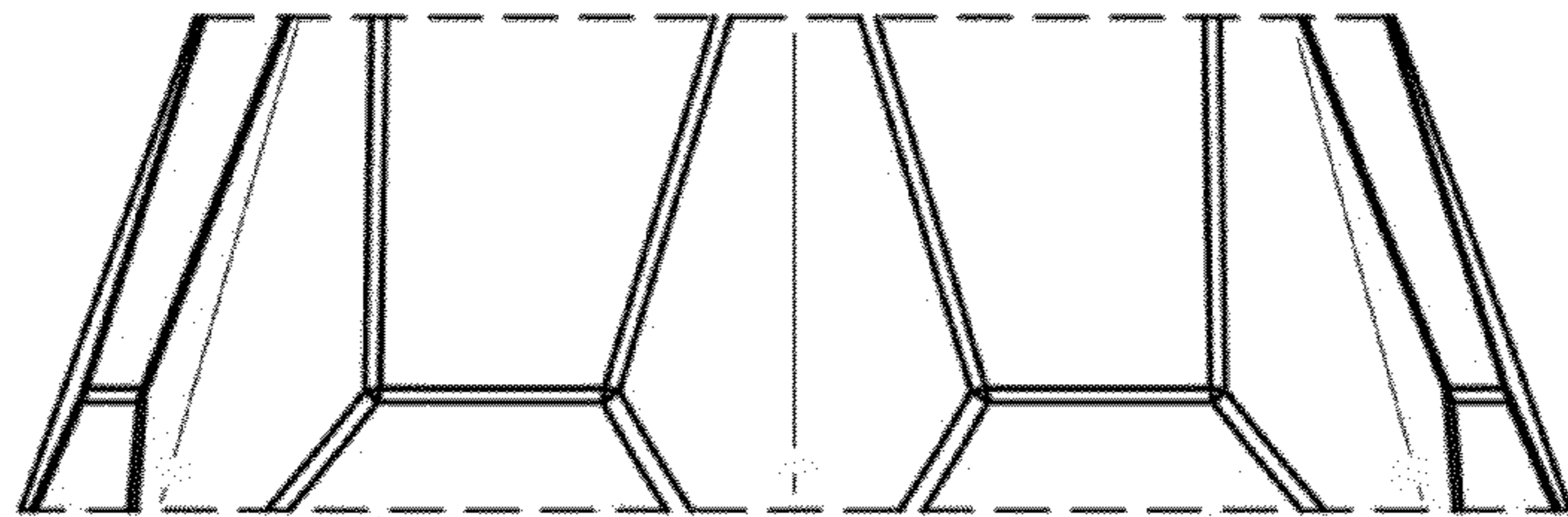




FIG. 7

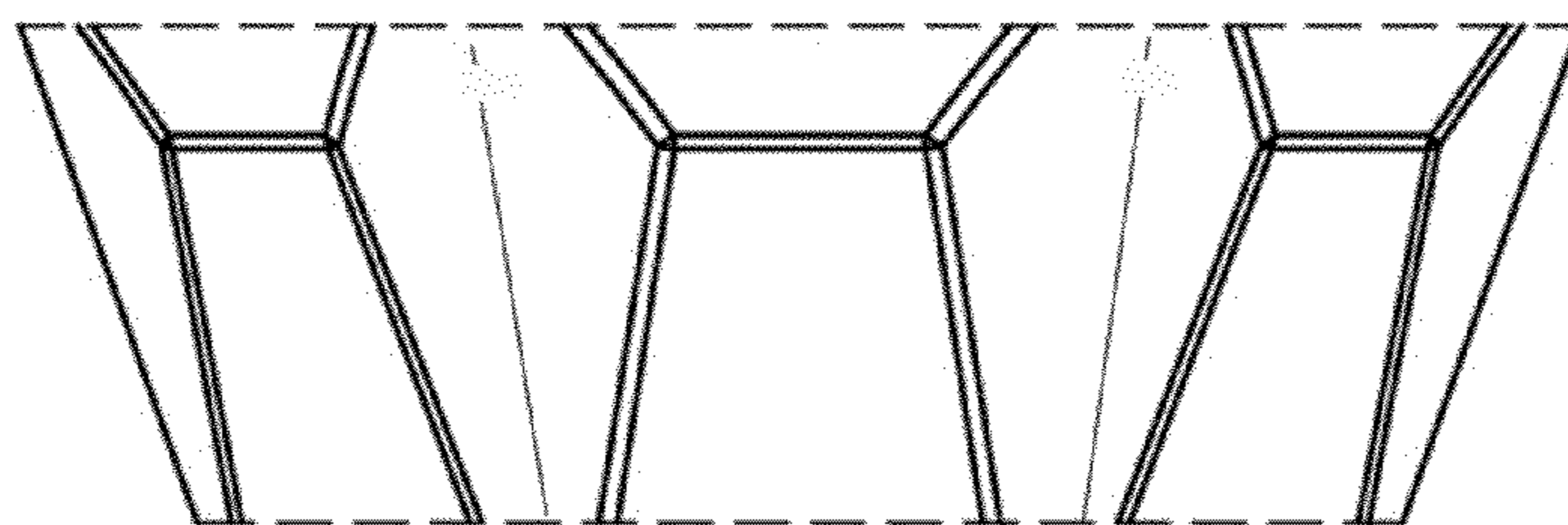


FIG. 8

