



US00D738408S

(12) **United States Design Patent**  
**Lee et al.**

(10) **Patent No.:** **US D738,408 S**  
(45) **Date of Patent:** **\*\* Sep. 8, 2015**

(54) **DOOR GUARD FOR A REFRIGERATOR**

F25D 23/12; F25D 29/005; F25D 17/042;  
F25D 2325/021

(71) Applicant: **Samsung Electronics Co., Ltd.**,  
Suwon-si (KR)

See application file for complete search history.

(72) Inventors: **Sun-Min Lee**, Seoul (KR); **Hyun-Soo Kim**, Seongnam-si (KR); **Se-Youn Park**, Seoul (KR); **Young-Min Park**, Seoul (KR); **Min-Hyounk Bu**, Seoul (KR); **Jong-Hyub Lee**, Seoul (KR); **Jun-Kyo Lee**, Daegu (KR); **Hyun-Il Lee**, Seoul (KR); **Sang-Woon Jeon**, Namyangju-si (KR)

(56) **References Cited**

U.S. PATENT DOCUMENTS

D526,791 S \* 8/2006 Delaney ..... D5/53  
D702,444 S \* 4/2014 Boyle ..... D5/41  
D703,445 S \* 4/2014 Lishnevsky ..... D5/4  
D708,444 S \* 7/2014 Love ..... D5/4  
D725,160 S \* 3/2015 Lee et al. .... D15/89

\* cited by examiner

(73) Assignee: **Samsung Electronics Co., Ltd.**,  
Suwon-Si (KR)

*Primary Examiner* — Daniel Bui

*Assistant Examiner* — Khawaja Anwar

(\*\*) Term: **14 Years**

(74) *Attorney, Agent, or Firm* — Ladas & Parry LLP

(21) Appl. No.: **29/473,470**

(57) **CLAIM**

We claim the ornamental design for a door guard for a refrigerator, as shown and described.

(22) Filed: **Nov. 22, 2013**

**DESCRIPTION**

(30) **Foreign Application Priority Data**

Aug. 21, 2013 (KR) ..... 30-2013-0042893

(51) **LOC (10) Cl.** ..... **15-07**

(52) **U.S. Cl.**  
USPC ..... **D15/89**

(58) **Field of Classification Search**  
USPC ..... D15/79-91; D5/4, 7, 41, 43, 47, 53, 55,  
D5/56, 57, 58, 59, 60, 62, 63, 99, 37;  
D19/1, 5; D25/138, 163, 150, 110;  
D3/5, 11

CPC ..... F25D 23/028; F25D 23/02; F25D 25/025;  
F25D 23/00; F25D 2323/021; F25D 11/00;  
F25D 2323/024; F25D 23/04; F25D 29/00;  
F25D 25/02; F25D 25/024; F25D 27/005;

FIG. 1 is a perspective view of a door guard for a refrigerator showing our new design;

FIG. 2 is a front elevation view thereof;

FIG. 3 is a rear elevation view thereof;

FIG. 4 is a left side elevation view thereof;

FIG. 5 is a right side elevation view thereof;

FIG. 6 is a top plan view thereof;

FIG. 7 is a bottom plan view thereof; and,

FIG. 8 is an enlarged top plan view of area 8 of FIG. 7.

The features shown in broken lines are for environmental purposes only and form no part of the claimed design.

The thickness of the bottom portion of the claimed article is subtle.

**1 Claim, 5 Drawing Sheets**

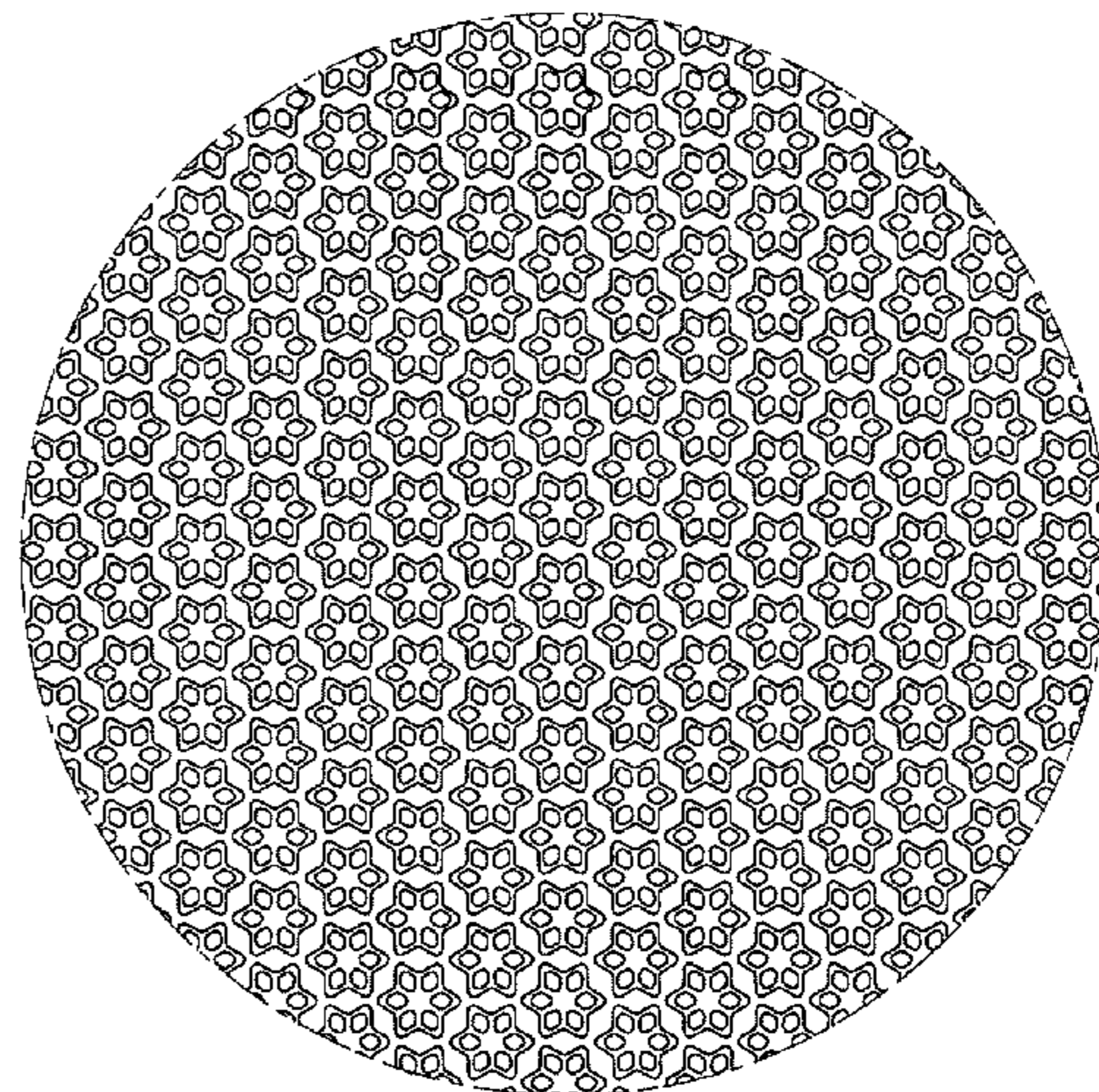
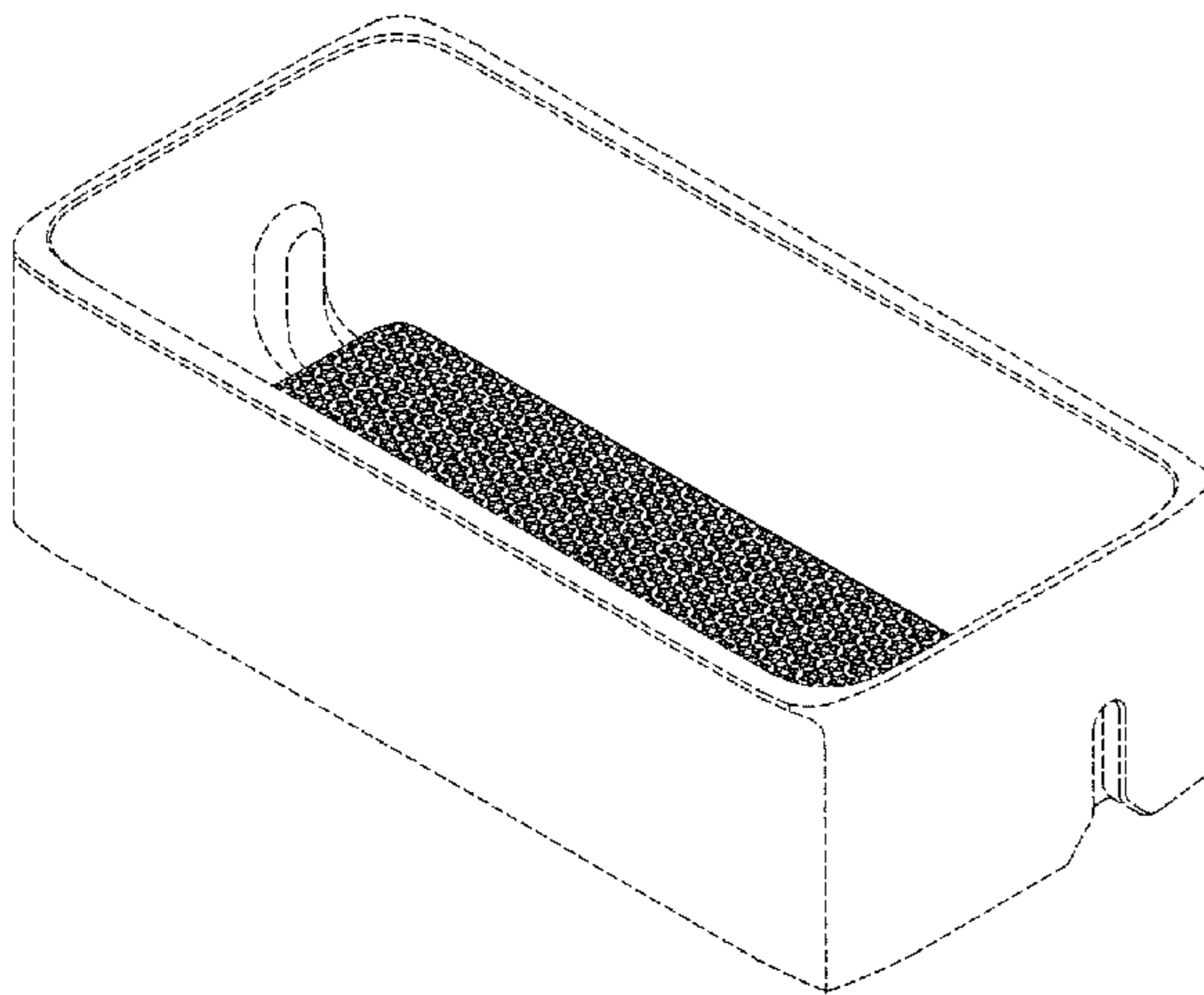


FIG. 1

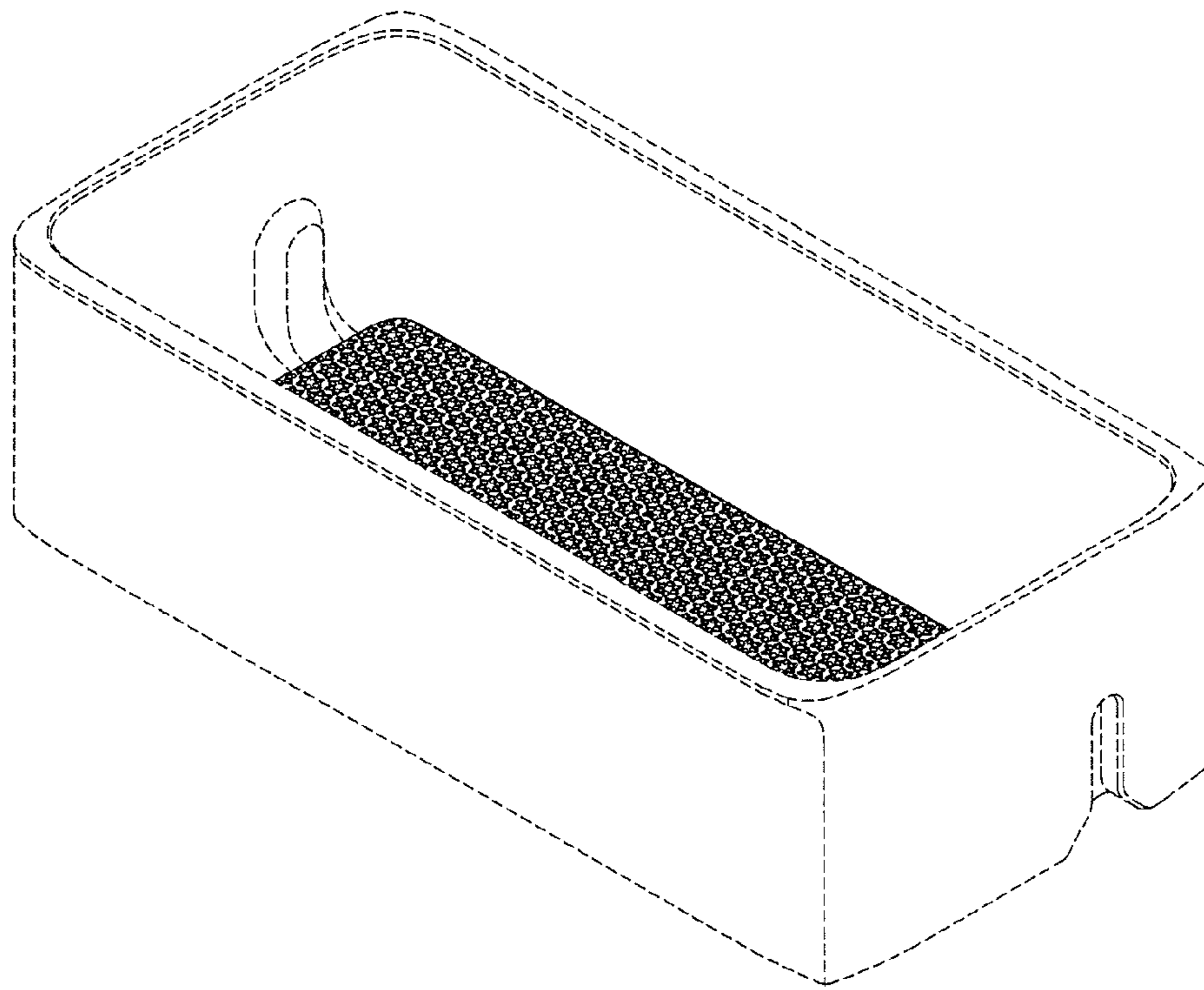


FIG. 2

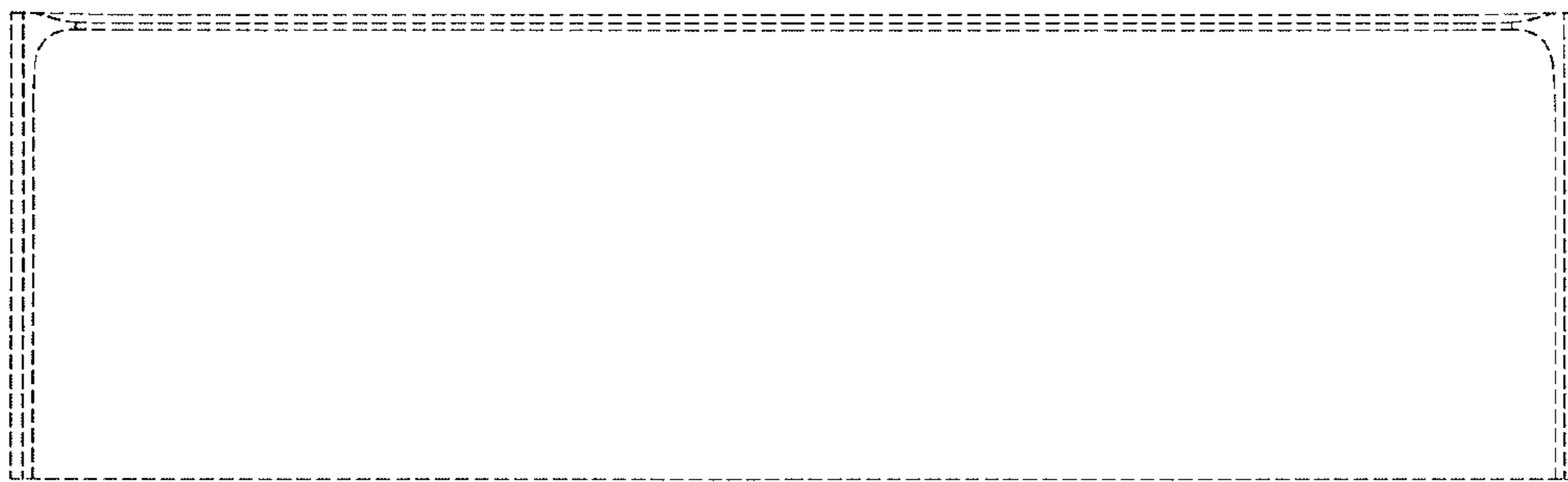


FIG. 3

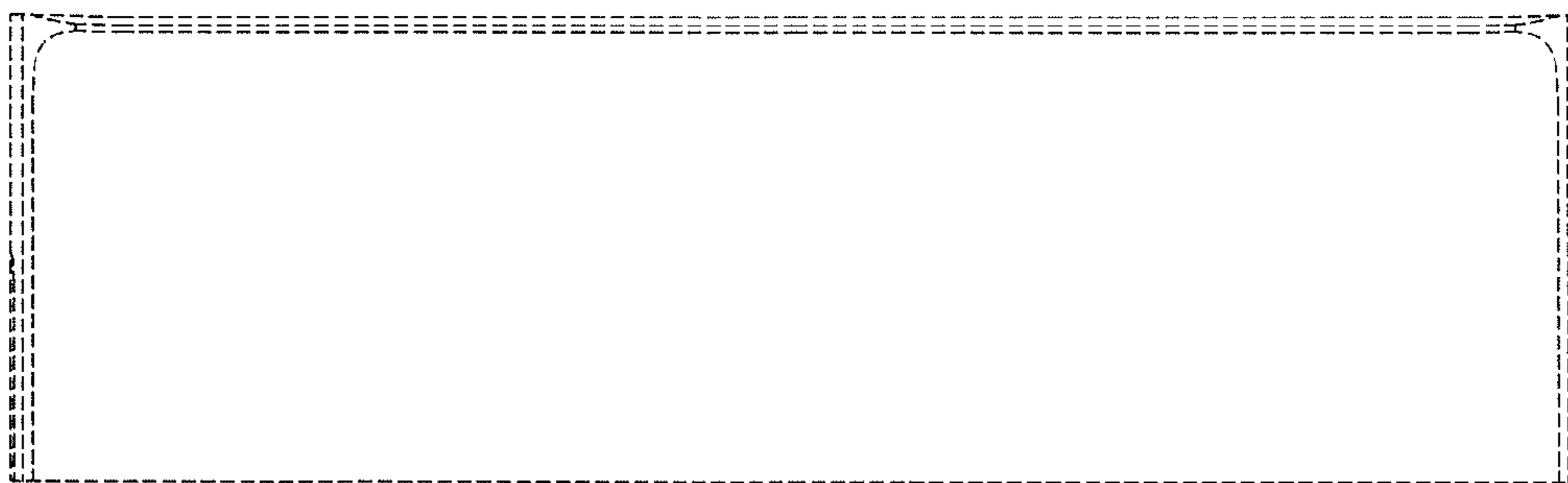


FIG. 4

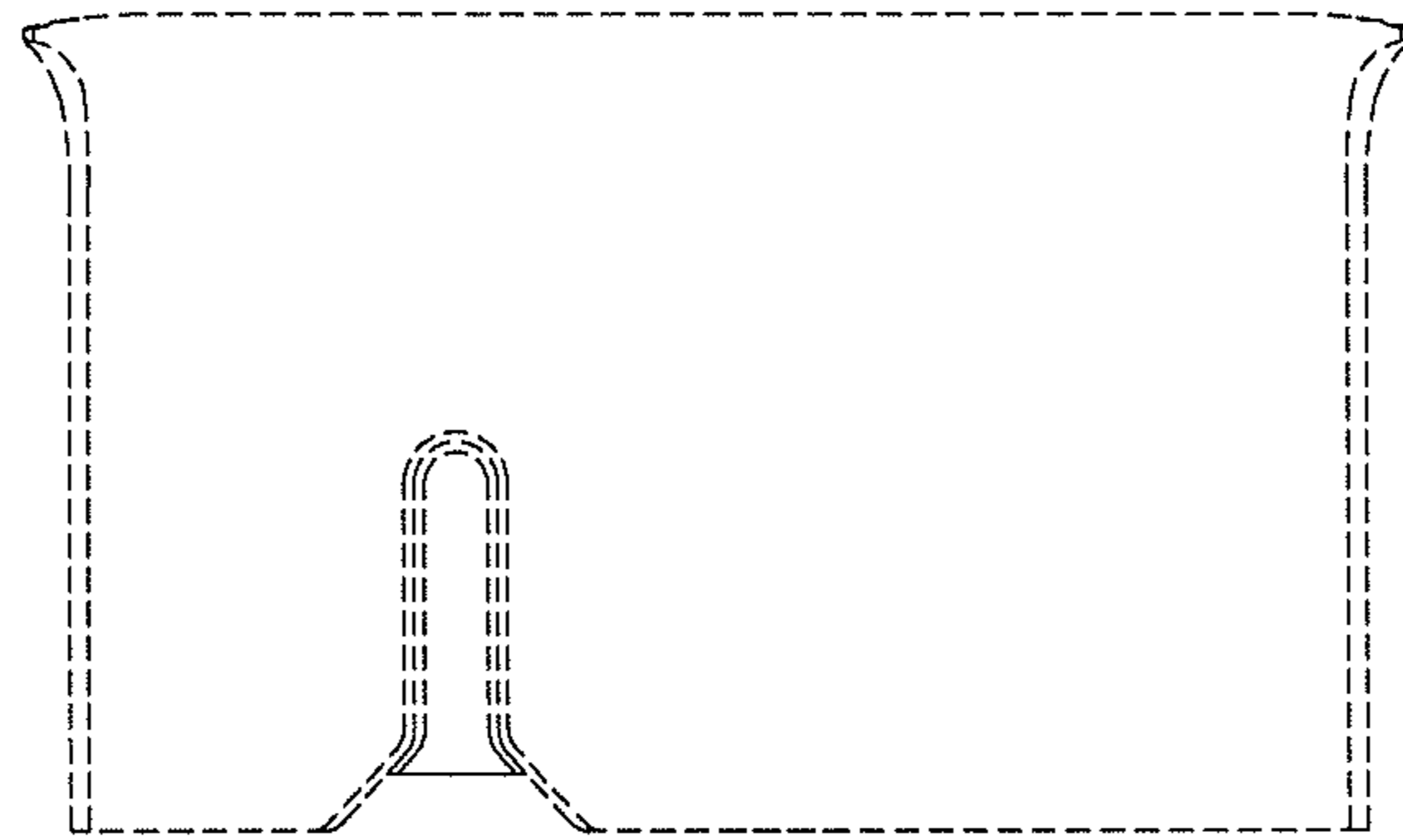


FIG. 5

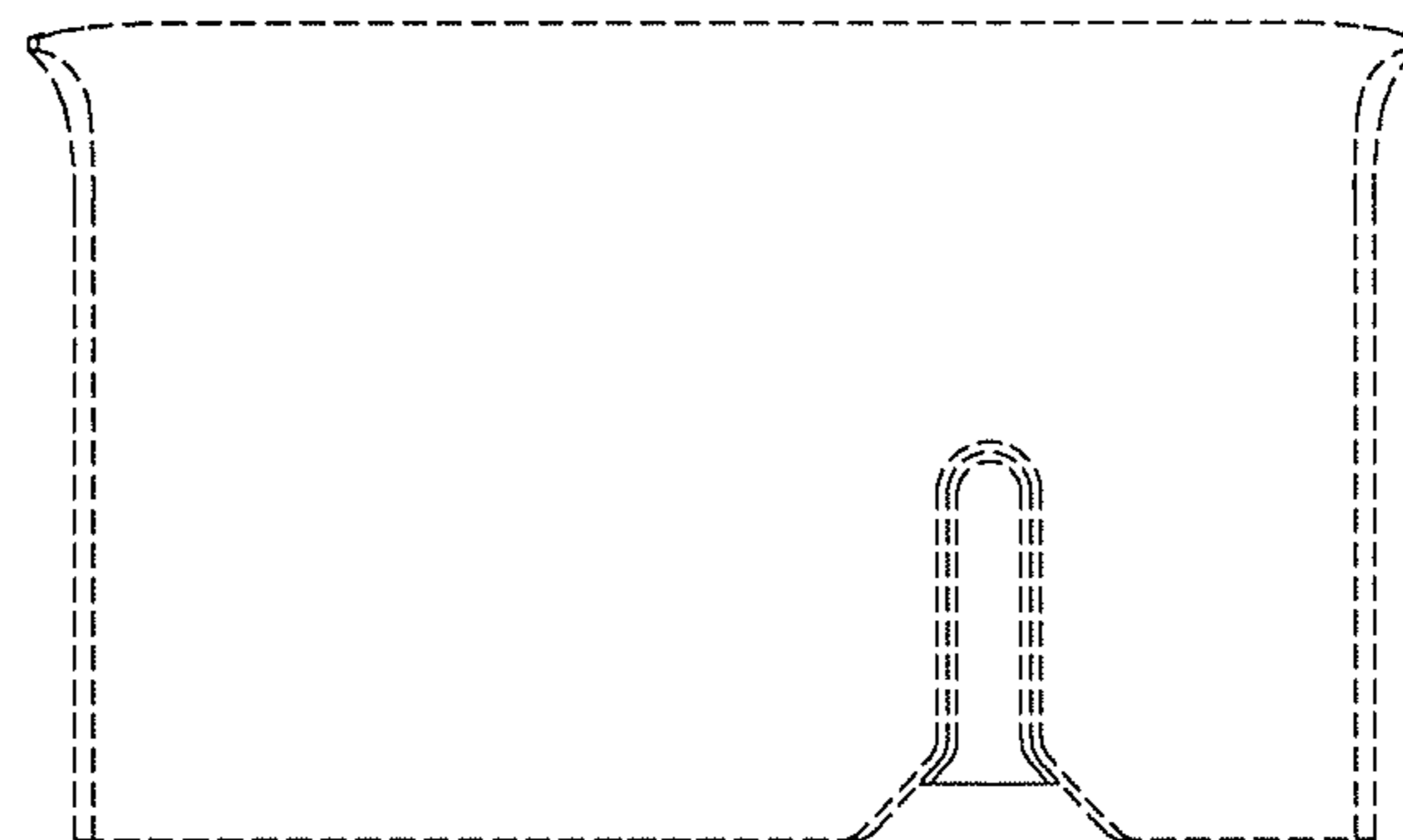


FIG. 6

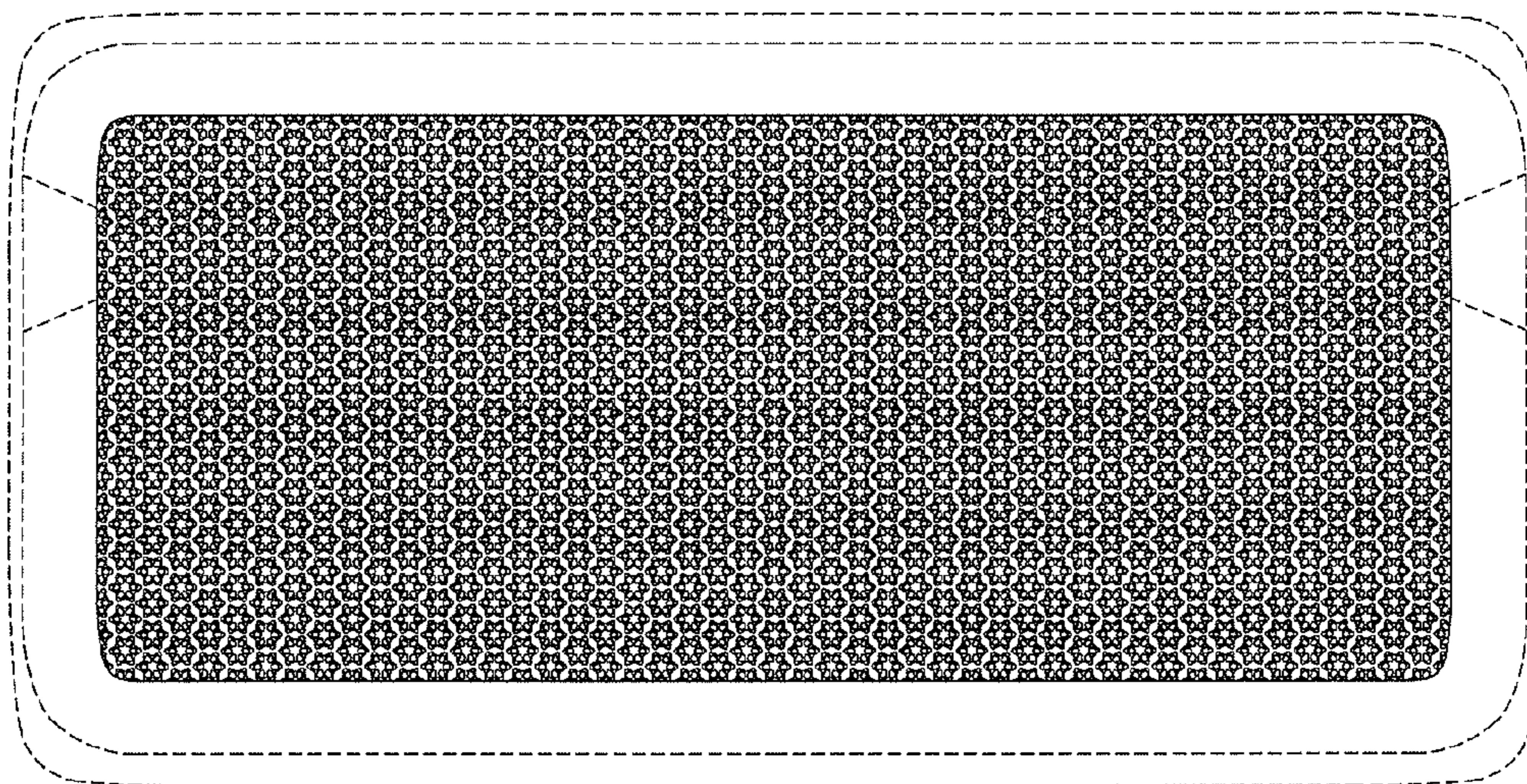


FIG. 7

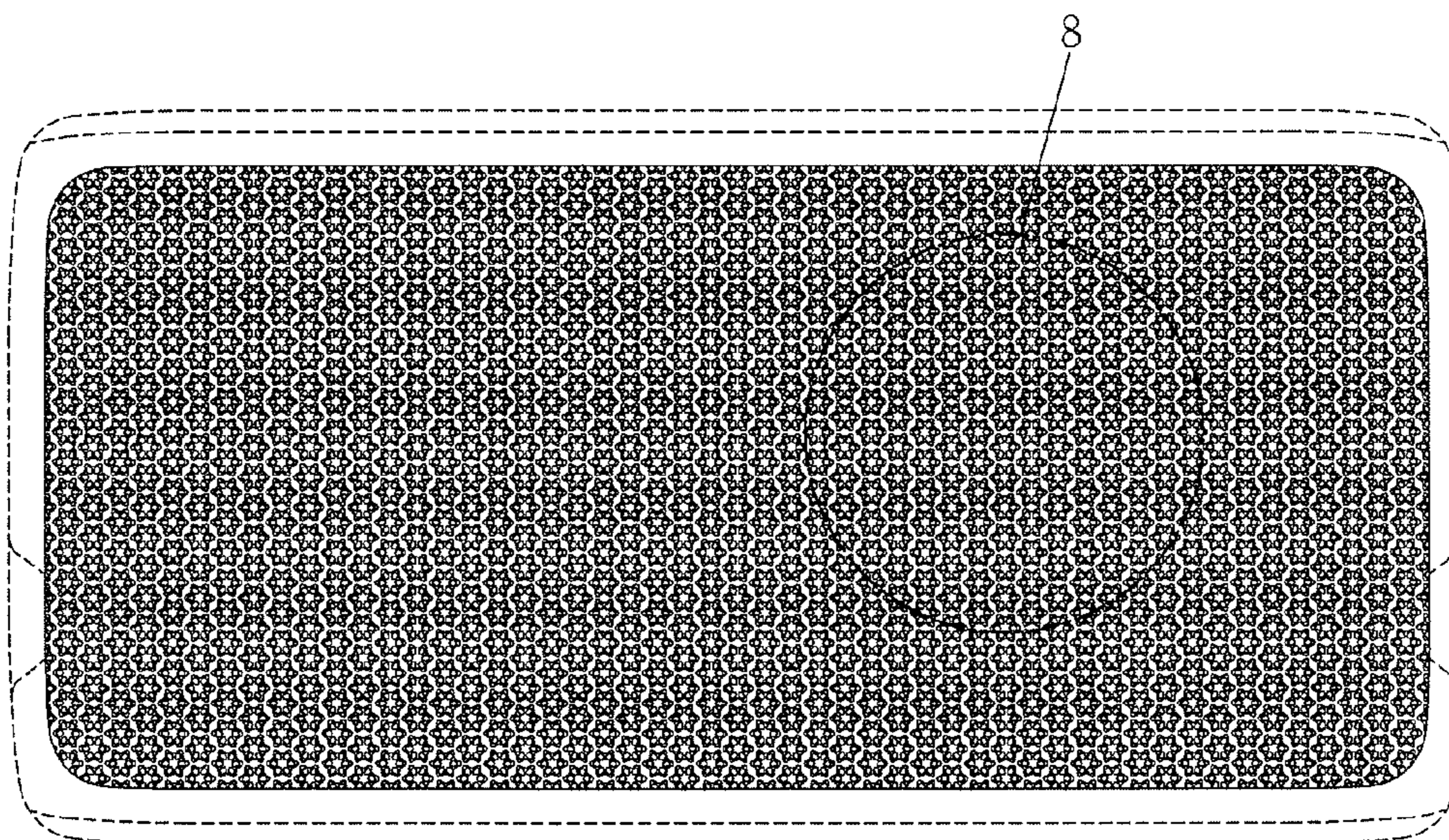


FIG. 8

