



US00D738403S

(12) **United States Design Patent**
Imashige et al.

(10) **Patent No.:** **US D738,403 S**

(45) **Date of Patent:** **** Sep. 8, 2015**

(54) **TRAVELLING BODY FOR CONSTRUCTION MACHINE**

(56) **References Cited**

U.S. PATENT DOCUMENTS

(71) Applicant: **KOBELCO CONSTRUCTION MACHINERY CO., LTD.**,
Hiroshima-shi, Hiroshima (JP)

(72) Inventors: **Hirokazu Imashige**, Hiroshima (JP);
Shintaro Sakitani, Hiroshima (JP); **Isao Miyachi**, Hiroshima (JP); **Hiroshi Kanamaru**, Hiroshima (JP); **Kaoru Adachi**, Hiroshima (JP)

D450,331 S	11/2001	Murakami et al.	
D508,498 S	8/2005	Shimokakiuchi et al.	
D559,277 S *	1/2008	Tsujita et al.	D15/24
D562,354 S *	2/2008	Imashige et al.	D15/28
D563,437 S *	3/2008	Imashige et al.	D15/24
D575,804 S *	8/2008	Murakami et al.	D15/28
D591,773 S *	5/2009	Ueta et al.	D15/22
D593,137 S *	5/2009	Ueta et al.	D15/28
D631,067 S *	1/2011	Nishimura et al.	D15/24
D687,865 S *	8/2013	Hatanaka et al.	D15/24
D692,924 S *	11/2013	Hatanaka et al.	D15/24
D707,261 S *	6/2014	Caboret et al.	D15/24

(73) Assignee: **KOBELCO CONSTRUCTION MACHINERY CO., LTD.**, Hiroshima (JP)

FOREIGN PATENT DOCUMENTS

JP	1105409-D	4/2001
JP	1105566-D	4/2001
JP	1113460-D	7/2001

(**) Term: **14 Years**

* cited by examiner

(21) Appl. No.: **29/473,723**

Primary Examiner — Robin V Webster

(22) Filed: **Nov. 25, 2013**

(74) *Attorney, Agent, or Firm* — Birch, Stewart, Kolasch & Birch, LLP

(30) **Foreign Application Priority Data**

(57) **CLAIM**

The ornamental design for a travelling body for construction machine, as shown and described.

Jun. 12, 2013	(JP)	2013-013224
Jun. 12, 2013	(JP)	2013-013225
Jun. 12, 2013	(JP)	2013-013226

DESCRIPTION

(51) **LOC (10) Cl.** **15-03**

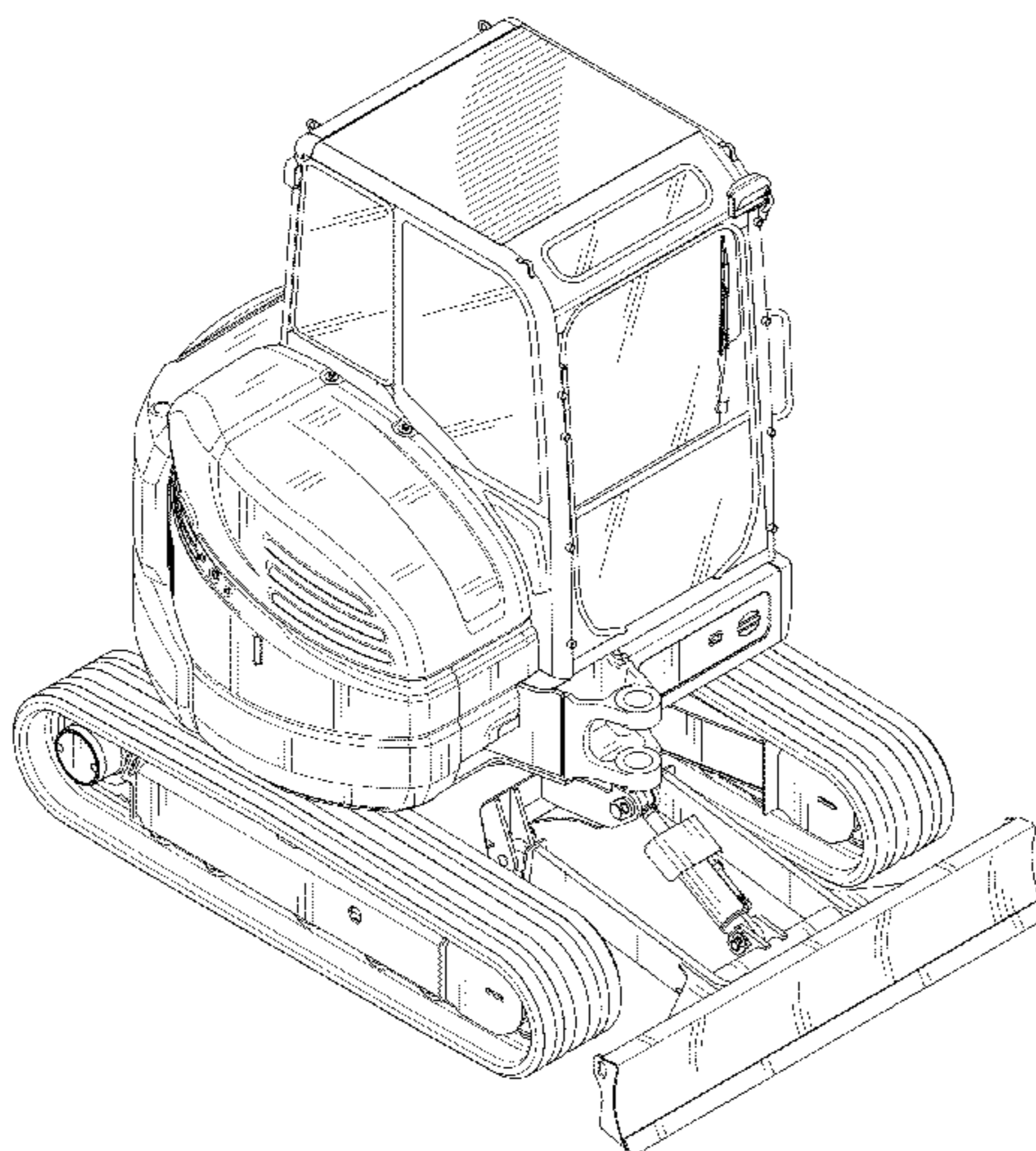
(52) **U.S. Cl.**
USPC **D15/24; D15/22**

(58) **Field of Classification Search**
USPC D15/22-26; 180/89.1, 89.12, 89.13,
180/89.16, 89.19, 89.18; 296/190.01,
296/190.08, 190.04

FIG. 1 is a first perspective view of a travelling body for construction machine showing our new design;
FIG. 2 is a second perspective view thereof;
FIG. 3 is a front view thereof;
FIG. 4 is a rear view thereof;
FIG. 5 is a left side view thereof;
FIG. 6 is a right side view thereof;
FIG. 7 is a top view thereof; and,
FIG. 8 is a bottom view thereof.

See application file for complete search history.

1 Claim, 8 Drawing Sheets



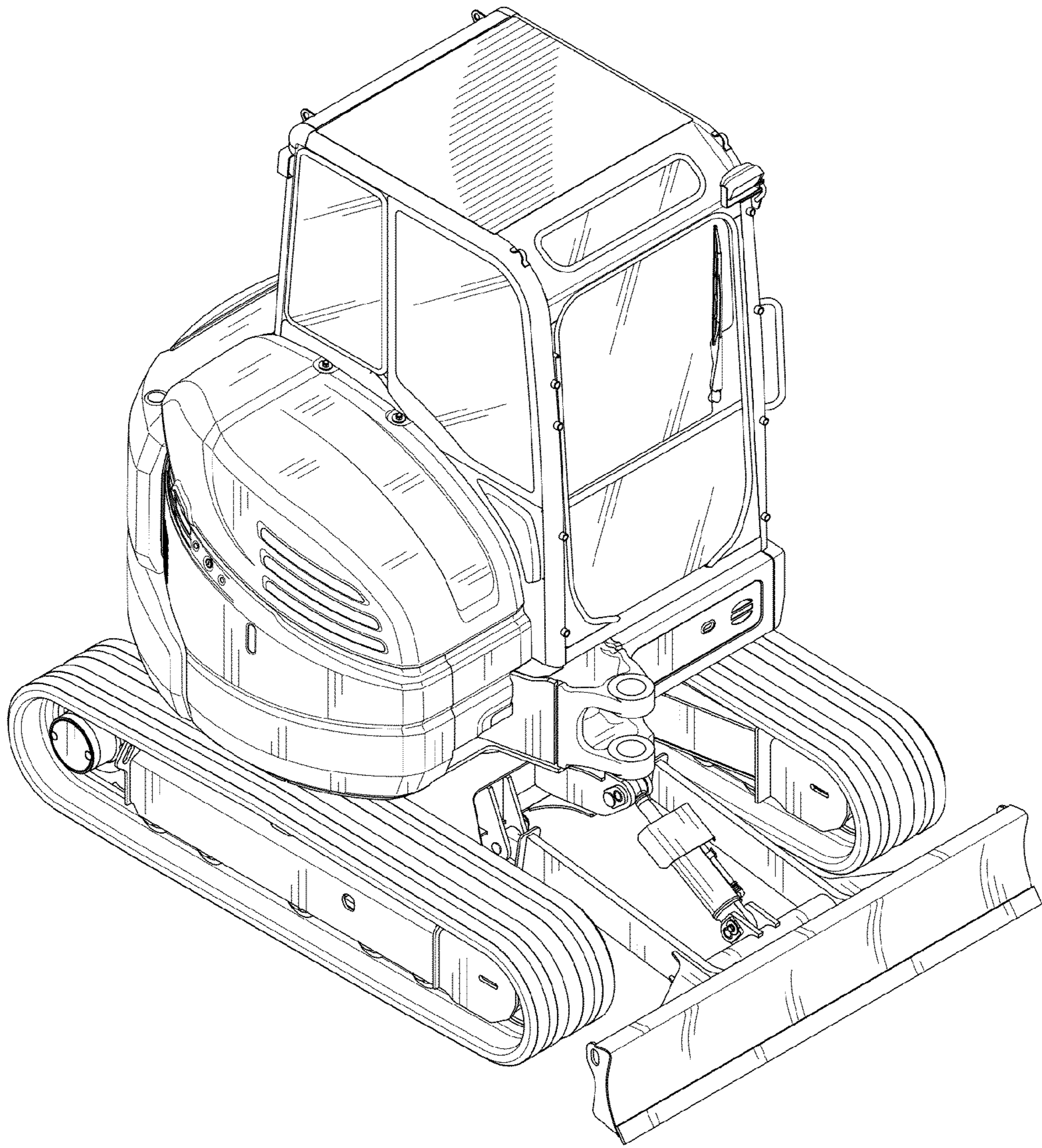


FIG. 1

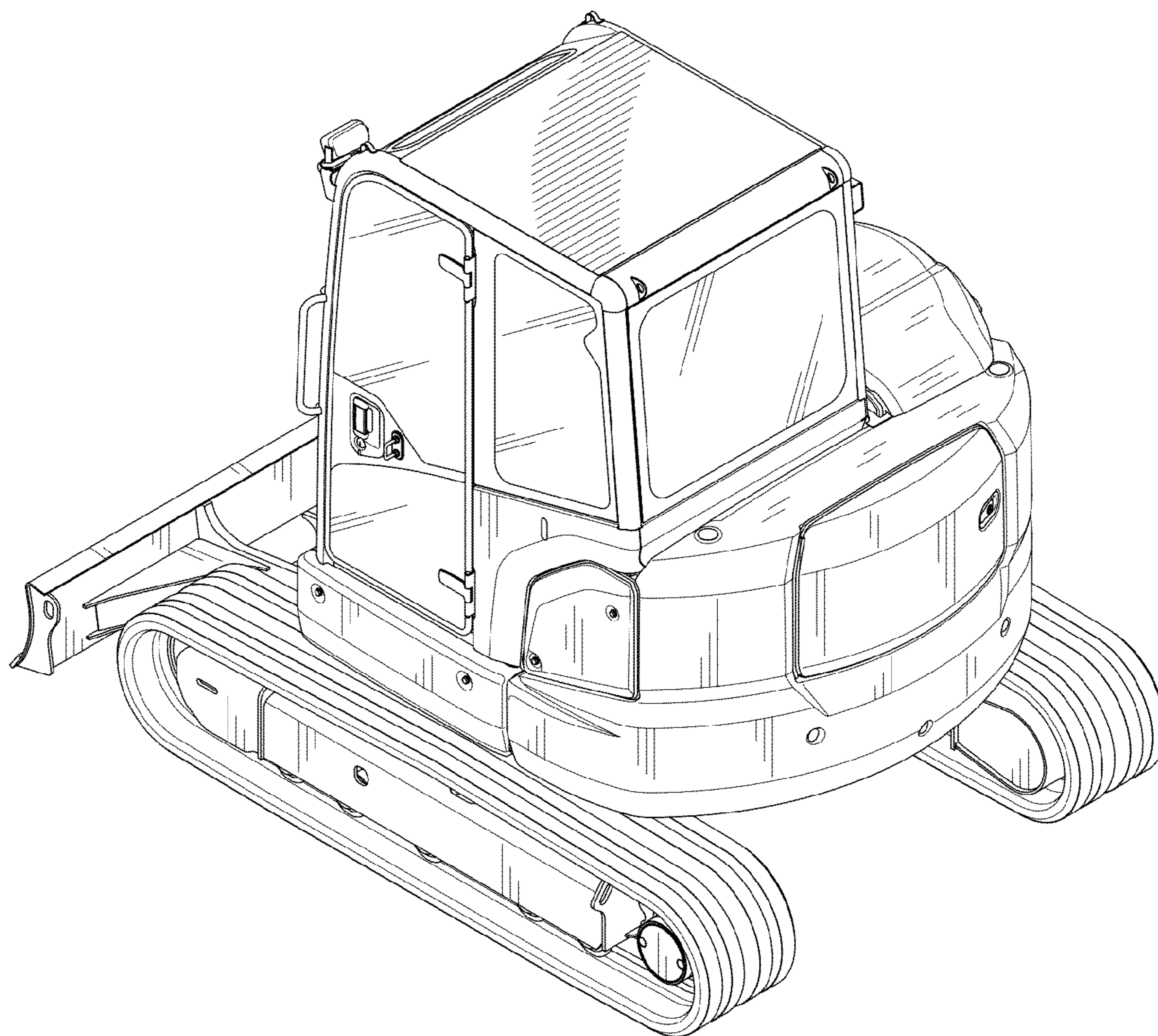


FIG. 2

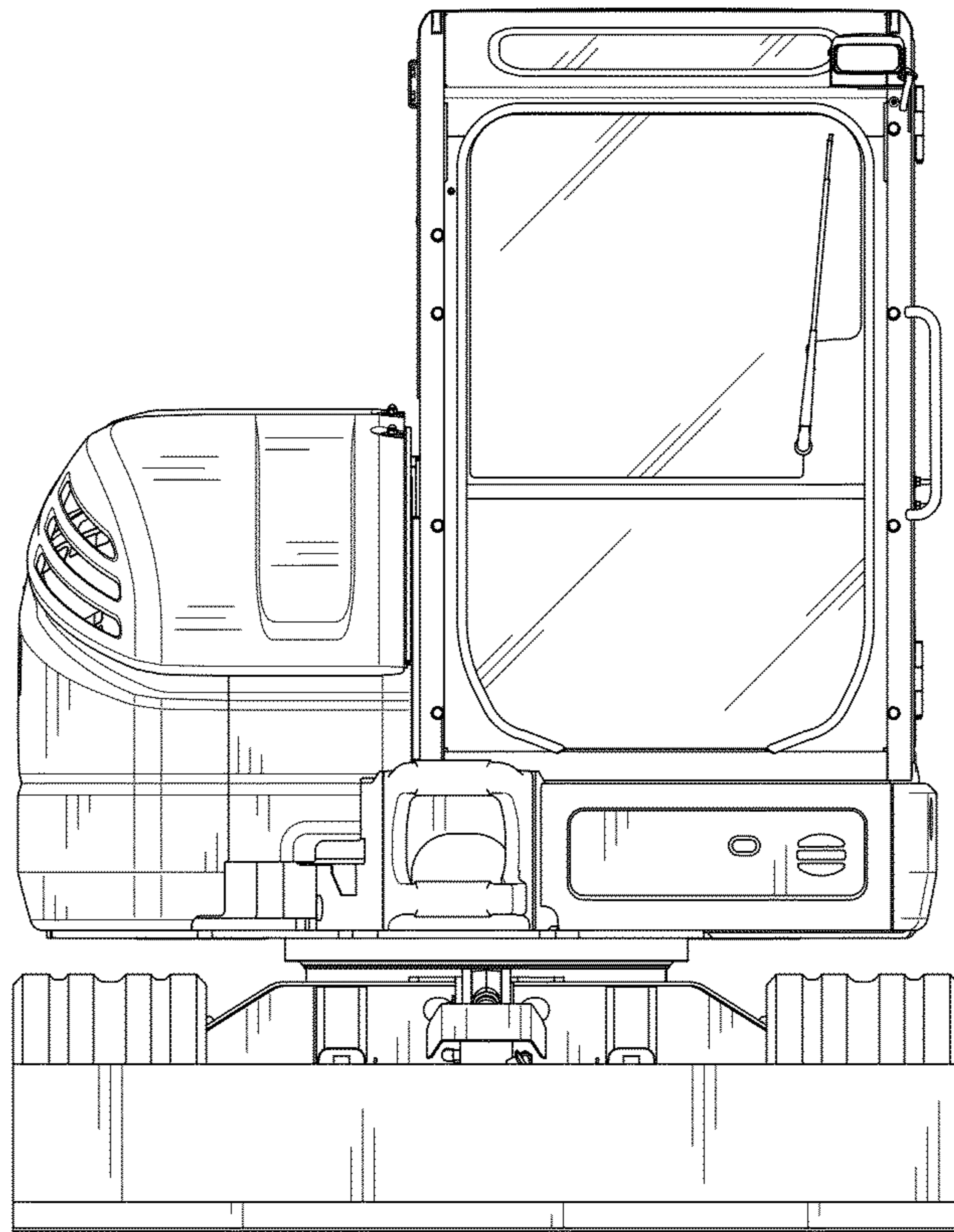


FIG. 3

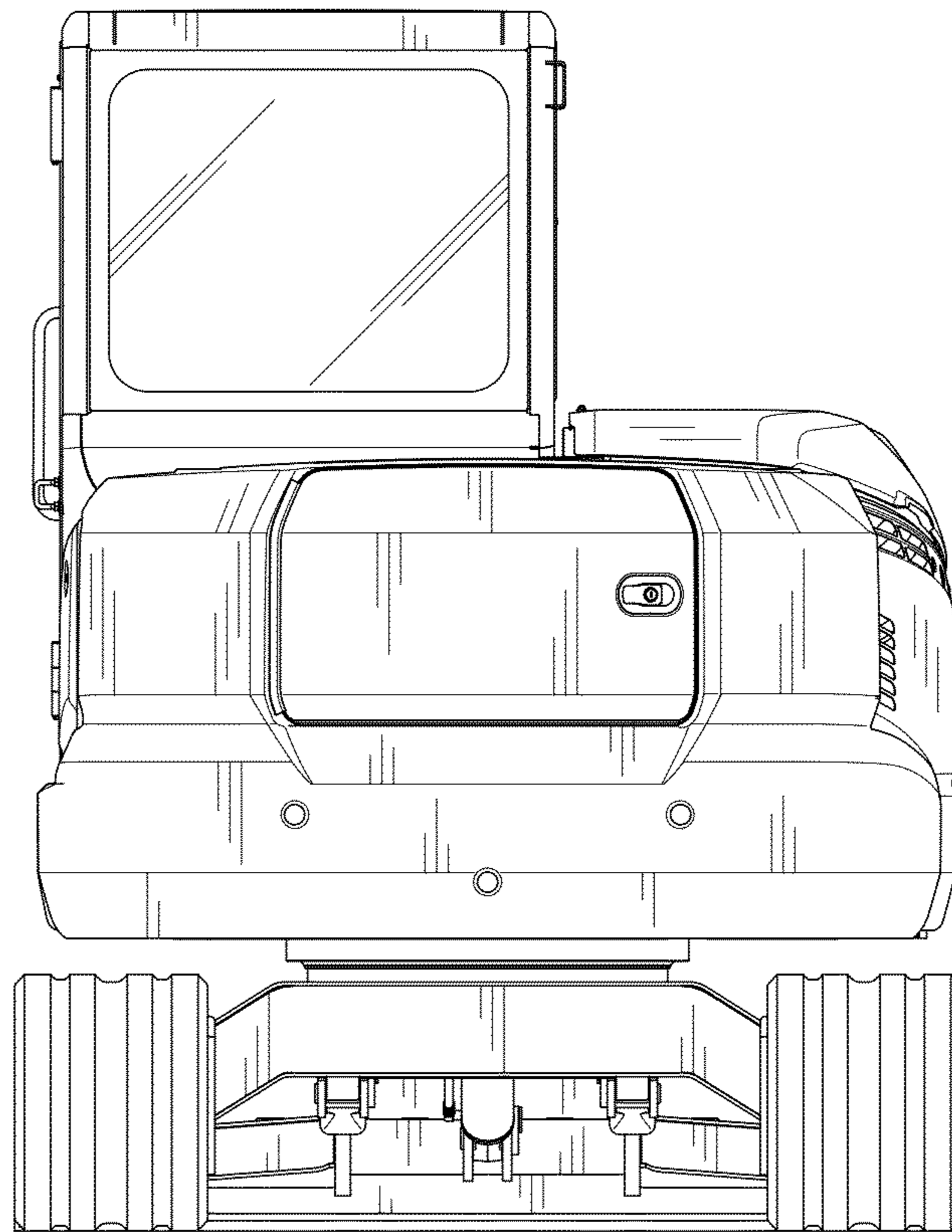


FIG. 4

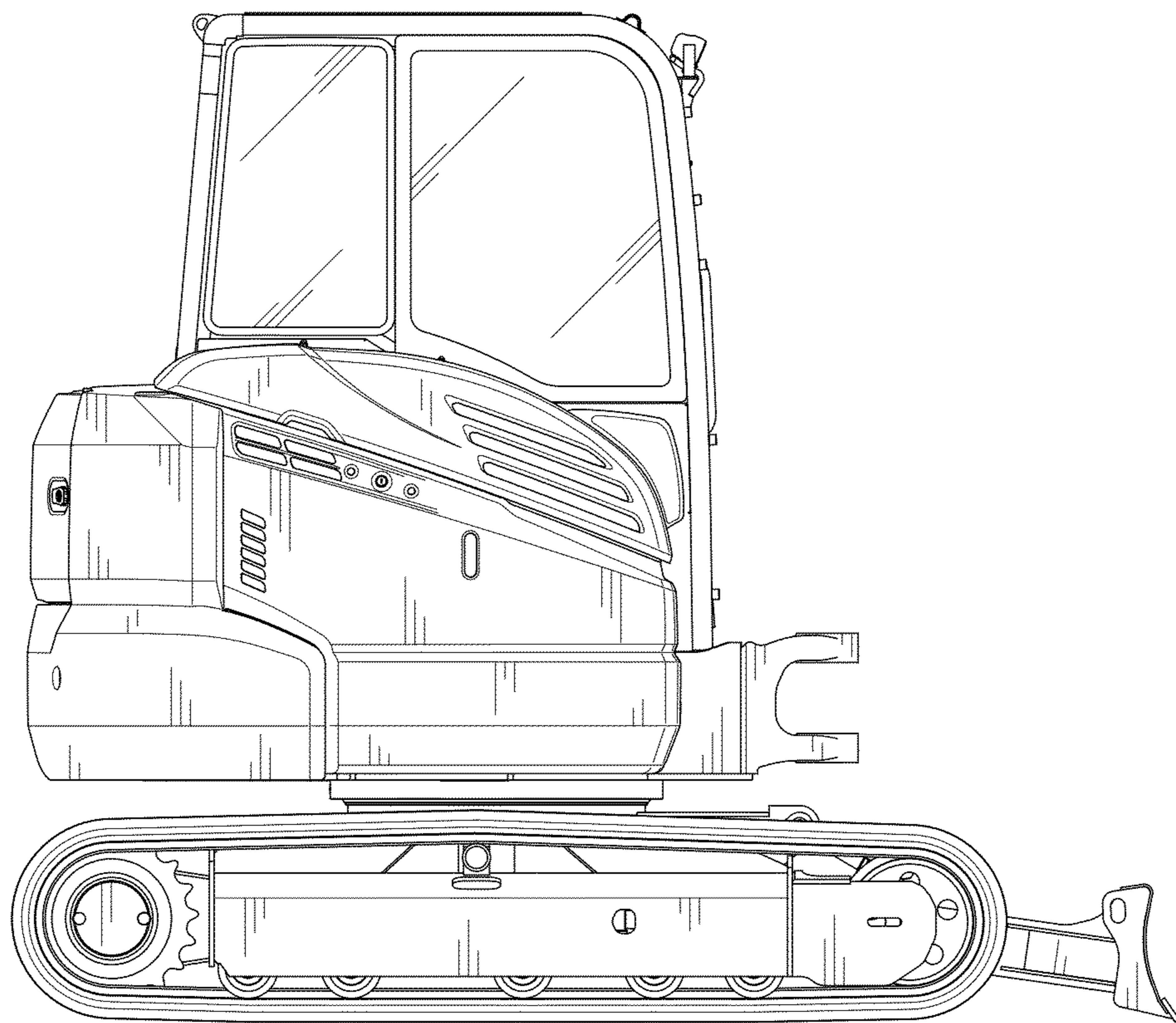


FIG. 5

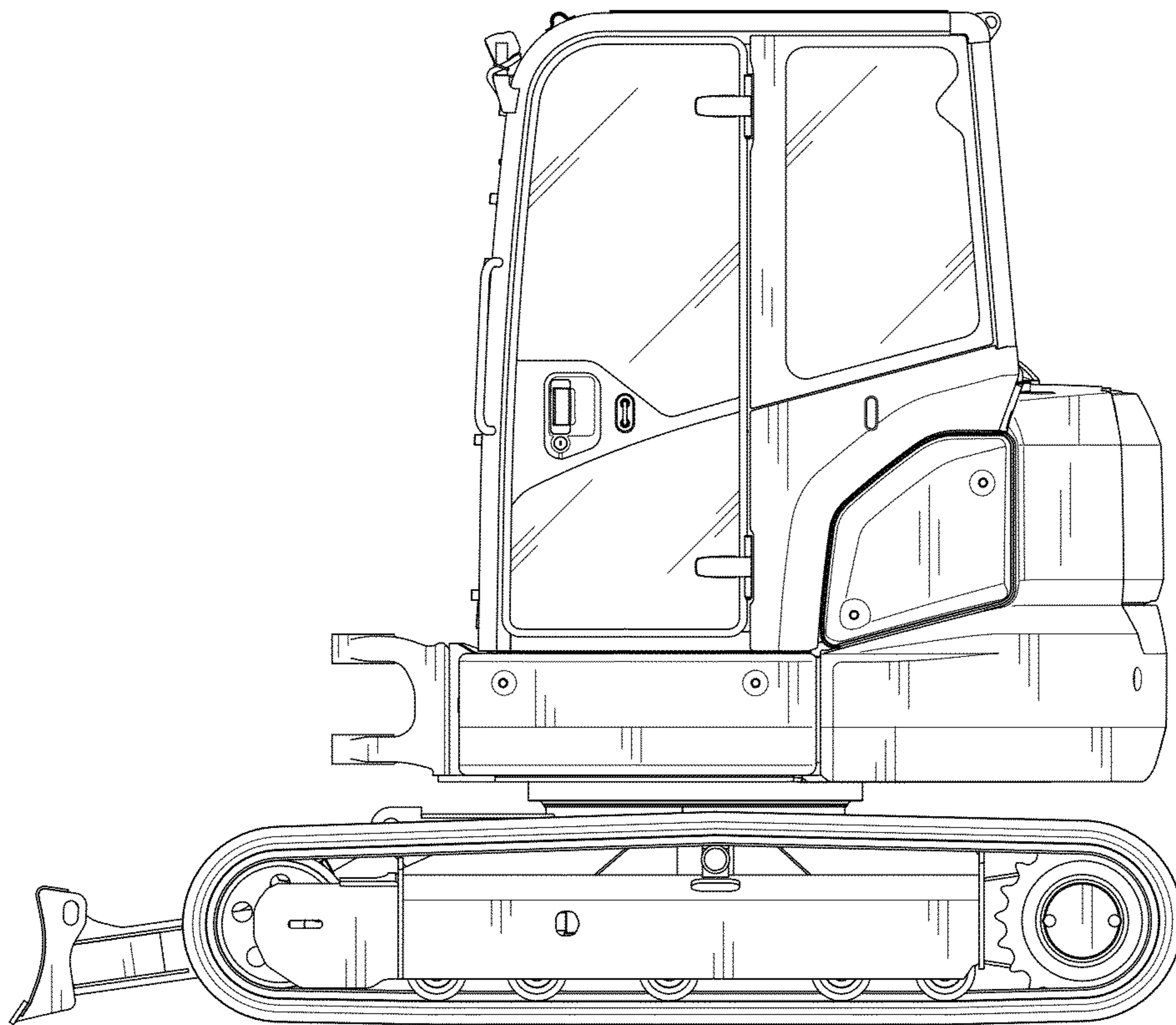


FIG. 6

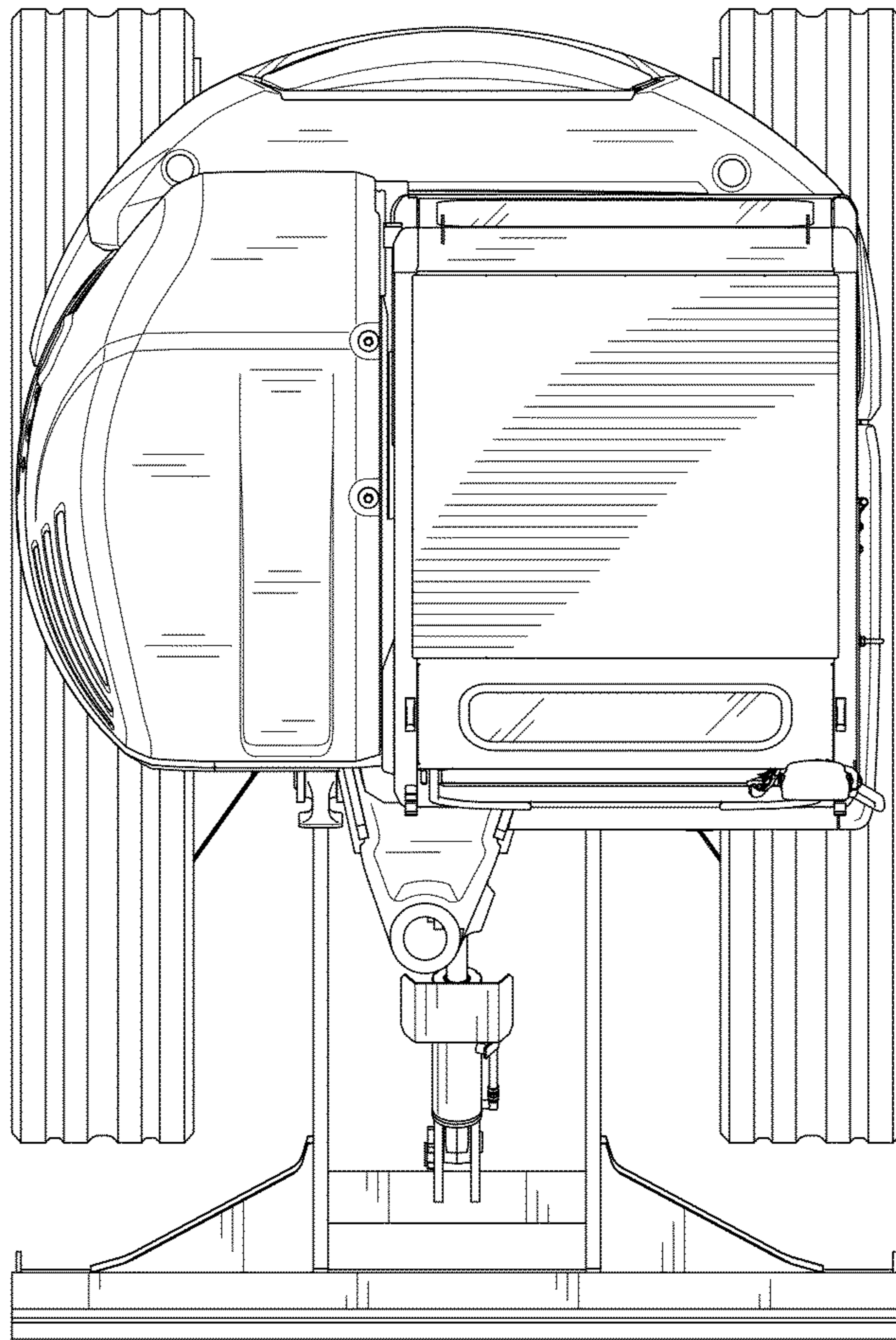


FIG. 7

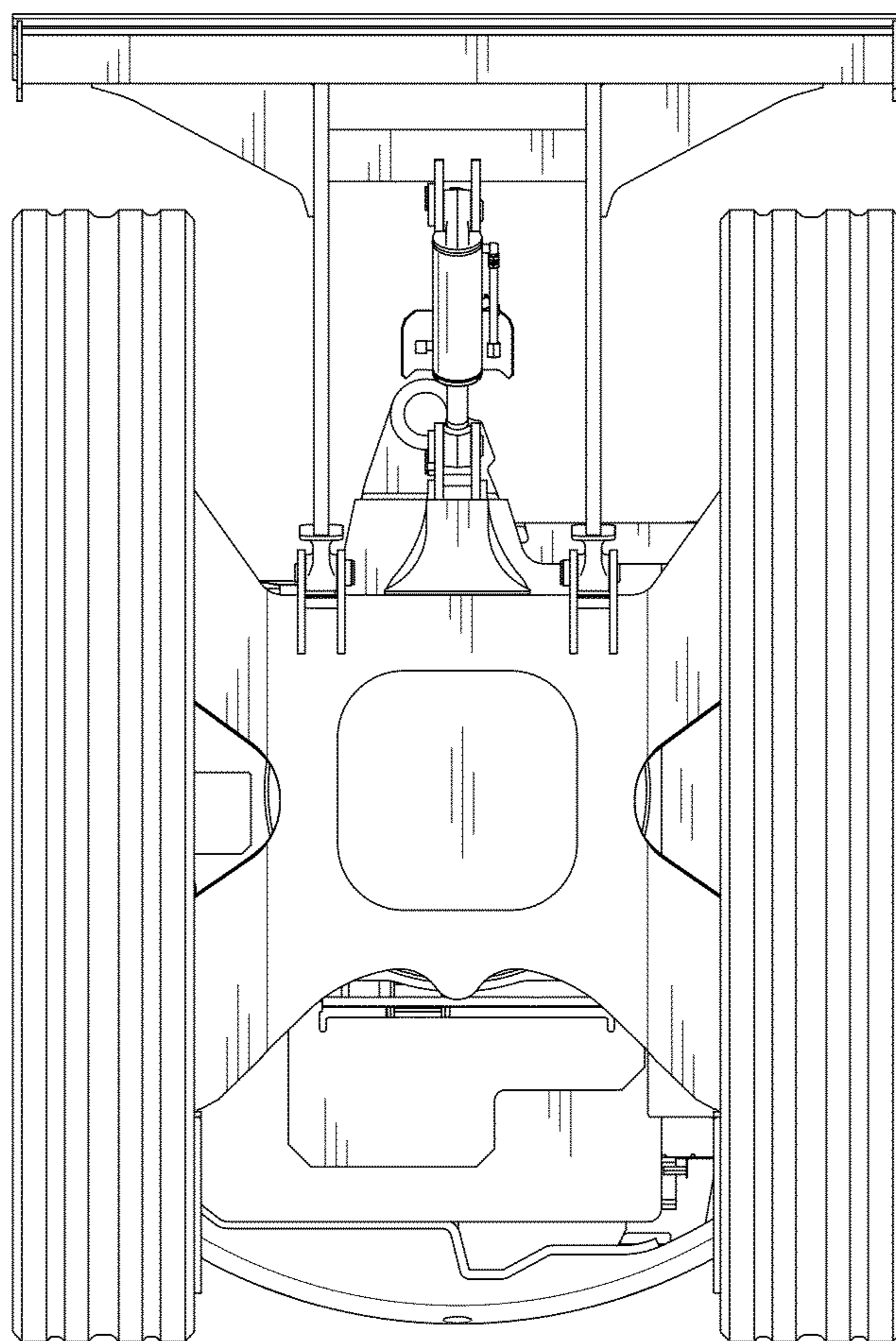


FIG. 8