



US00D738402S

(12) **United States Design Patent**  
**Nelson et al.**

(10) **Patent No.:** **US D738,402 S**  
(45) **Date of Patent:** **\*\* Sep. 8, 2015**

(54) **BALLOON INFLATION DEVICE**

(56) **References Cited**

(71) Applicant: **Premium Balloon Accessories, Inc.**,  
Sharon Center, OH (US)  
(72) Inventors: **David C. Nelson**, Akron, OH (US);  
**Wesley A. Schroeder**, Seville, OH (US)  
(73) Assignee: **Premium Balloon Accessories, Inc.**,  
Sharon Center, OH (US)

U.S. PATENT DOCUMENTS

4,878,335 A	*	11/1989	Hardy	.....	53/434
D333,664 S	*	3/1993	Carroll	.....	D15/7
D391,969 S	*	3/1998	Poon	.....	D15/7
D395,317 S	*	6/1998	Karlsson et al.	.....	D15/7
D466,908 S	*	12/2002	Poon	.....	D15/7
D557,707 S	*	12/2007	Nelson et al.	.....	D15/7
D634,756 S	*	3/2011	Corti	.....	D15/7
D649,164 S	*	11/2011	Cook	.....	D15/7
D675,650 S	*	2/2013	Champ	.....	D15/7
D708,648 S	*	7/2014	Orsini	.....	D15/7

(\*\*) Term: **14 Years**

\* cited by examiner

(21) Appl. No.: **29/515,932**

*Primary Examiner* — Ralf Seifert

(22) Filed: **Jan. 28, 2015**

(74) *Attorney, Agent, or Firm* — Renner Kenner Greive  
Bobak Taylor & Weber

(51) **LOC (10) Cl.** ..... **15-02**

(57) **CLAIM**

The ornamental design for a balloon inflation device, as shown and described.

(52) **U.S. Cl.**

**DESCRIPTION**

USPC ..... **D15/7**

(58) **Field of Classification Search**

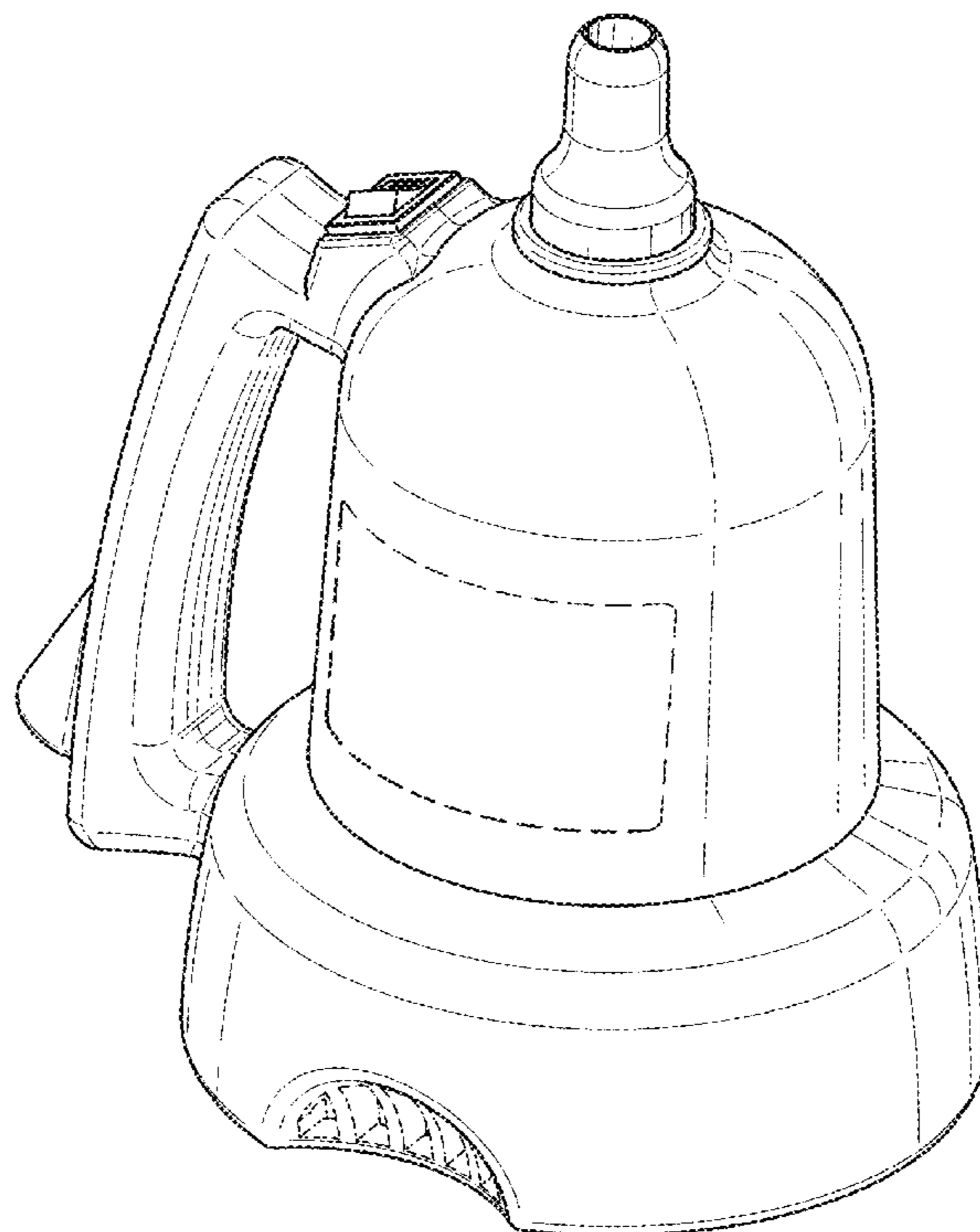
USPC ..... D15/7-9; D23/231, 232, 225; 417/60,  
417/235, 265, 321, 355, 358, 363, 359,  
417/410.1, 415-416, 405, 900; 60/408,  
60/412; 184/26-37; 415/140-147;  
123/495, 509; 53/434

FIG. 1 is a perspective view of the balloon inflation device of this invention;  
FIG. 2 is a front elevational view thereof;  
FIG. 3 is a right-side elevational view thereof;  
FIG. 4 is a left-side elevational view thereof;  
FIG. 5 is a rear elevational view thereof;  
FIG. 6 is a top plan elevational view thereof; and,  
FIG. 7 is a bottom plan view thereof.

CPC ..... B65B 43/36; B65B 39/02

See application file for complete search history.

**1 Claim, 6 Drawing Sheets**



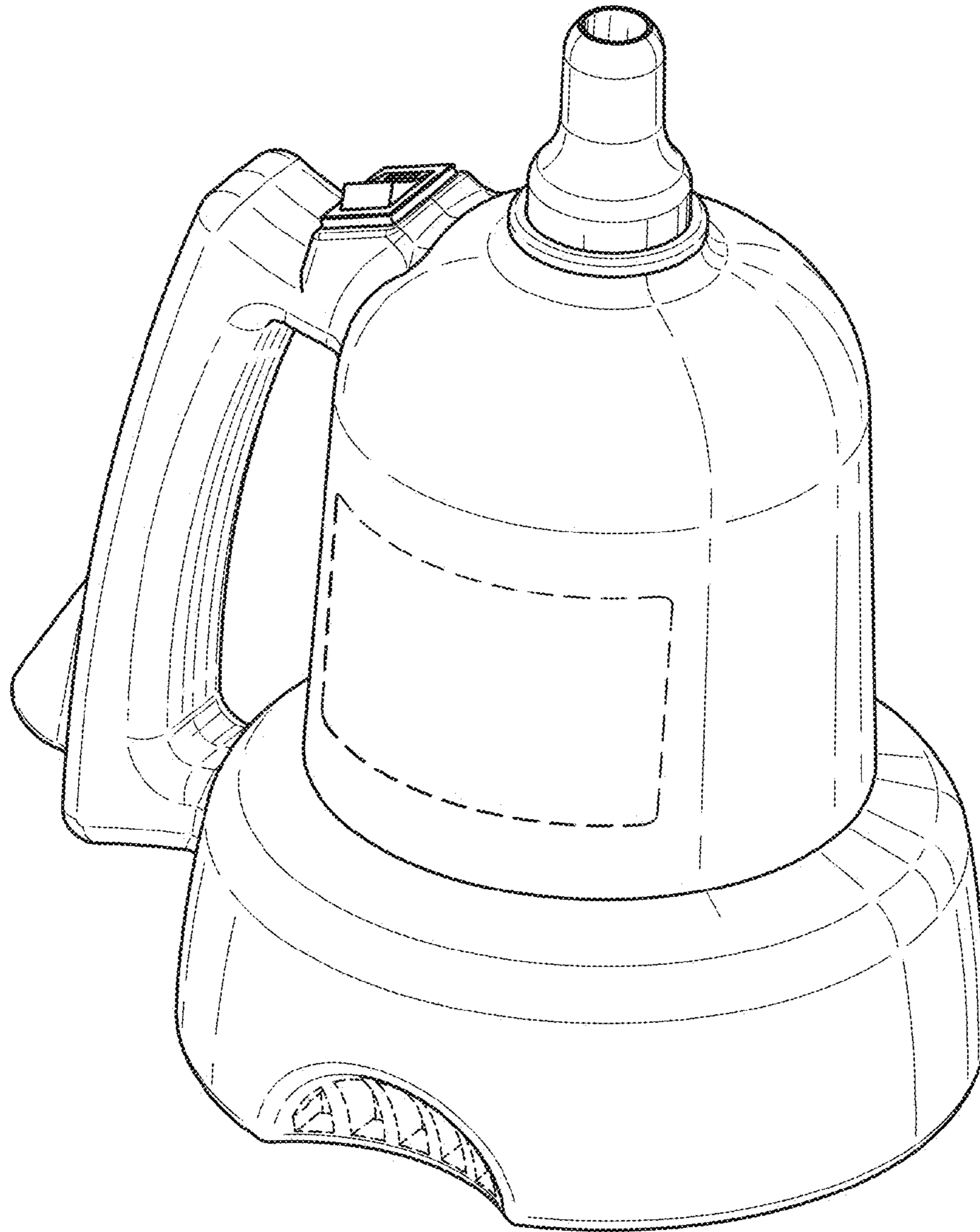


FIG. 1

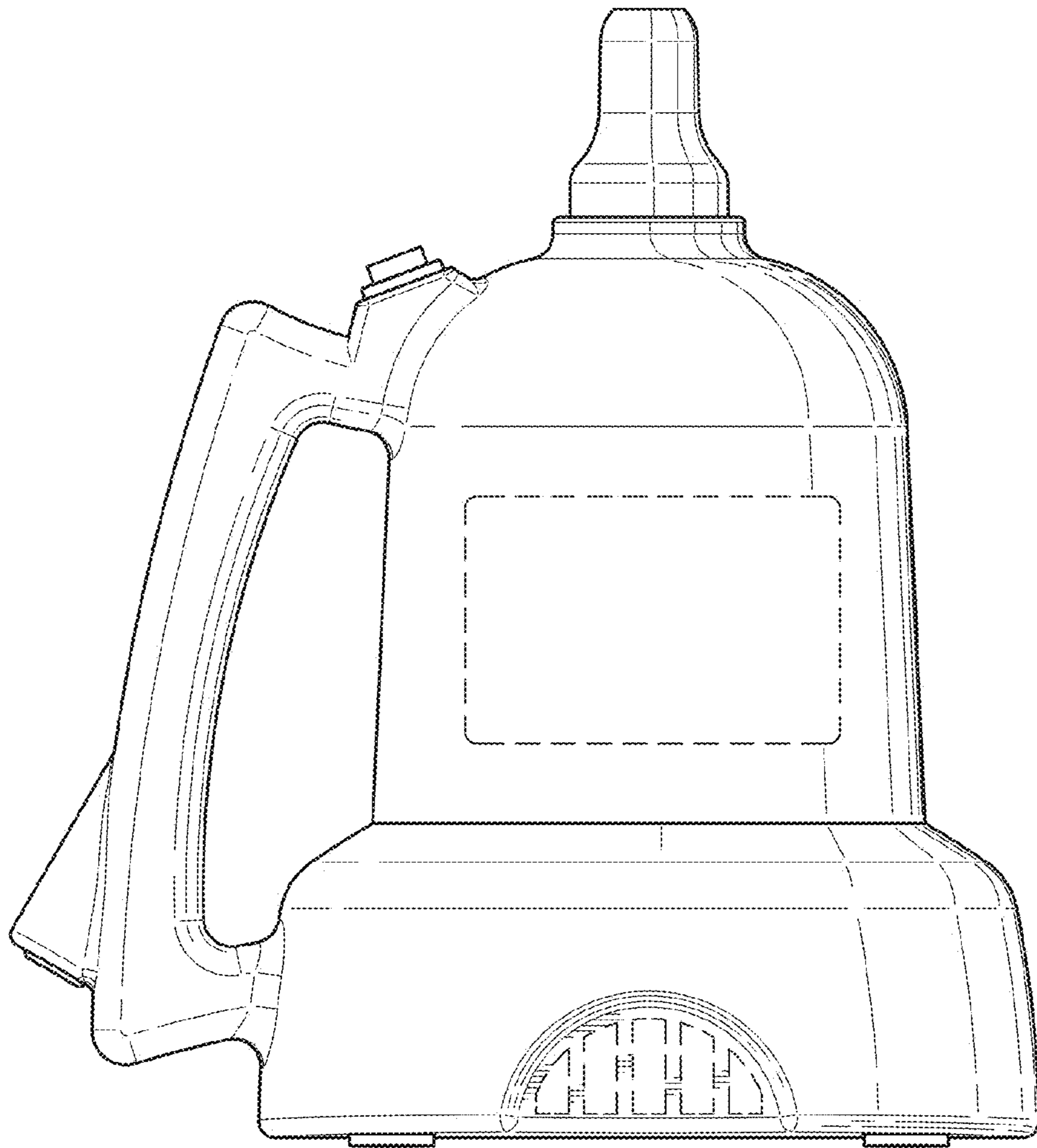


FIG. 2

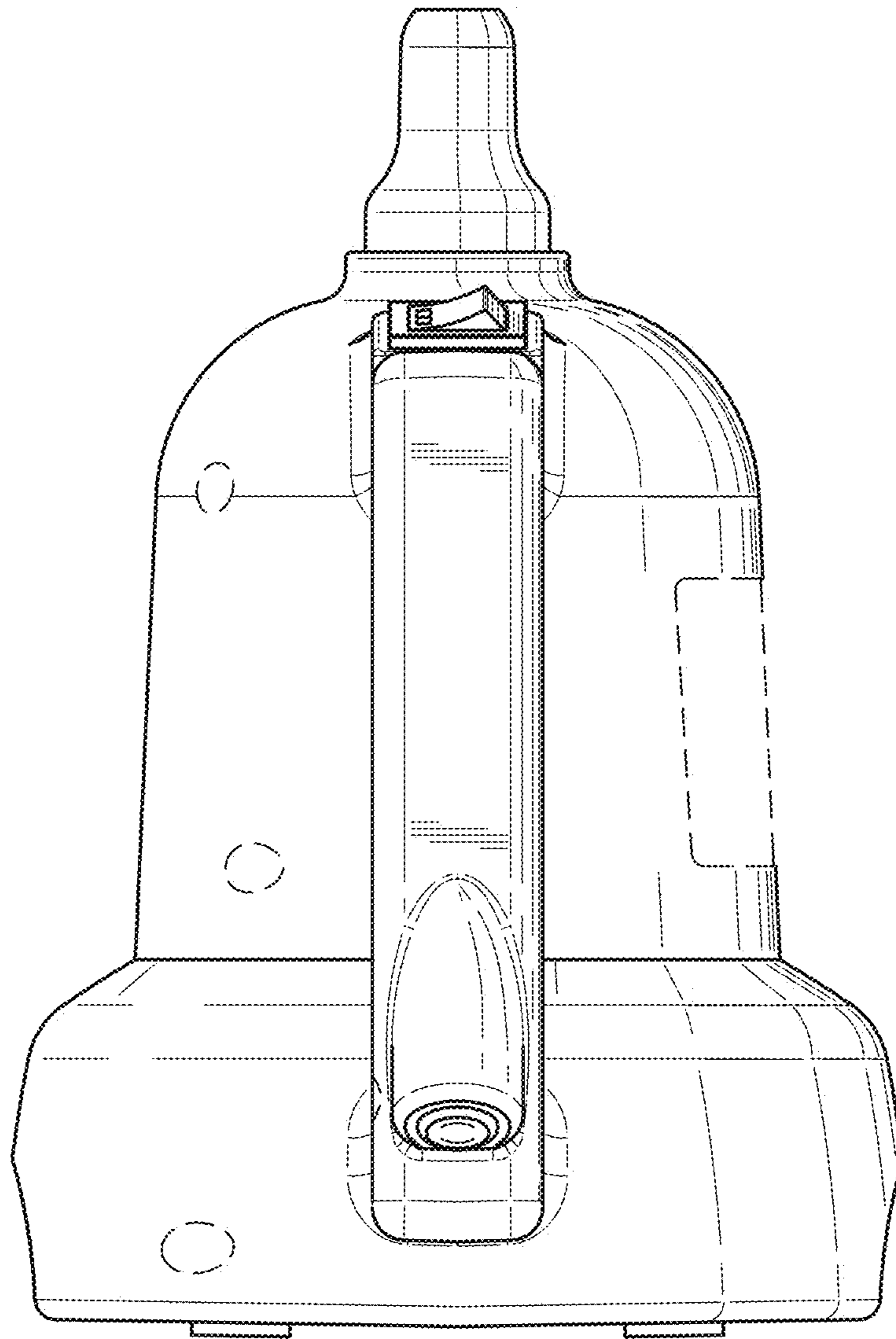


FIG. 3

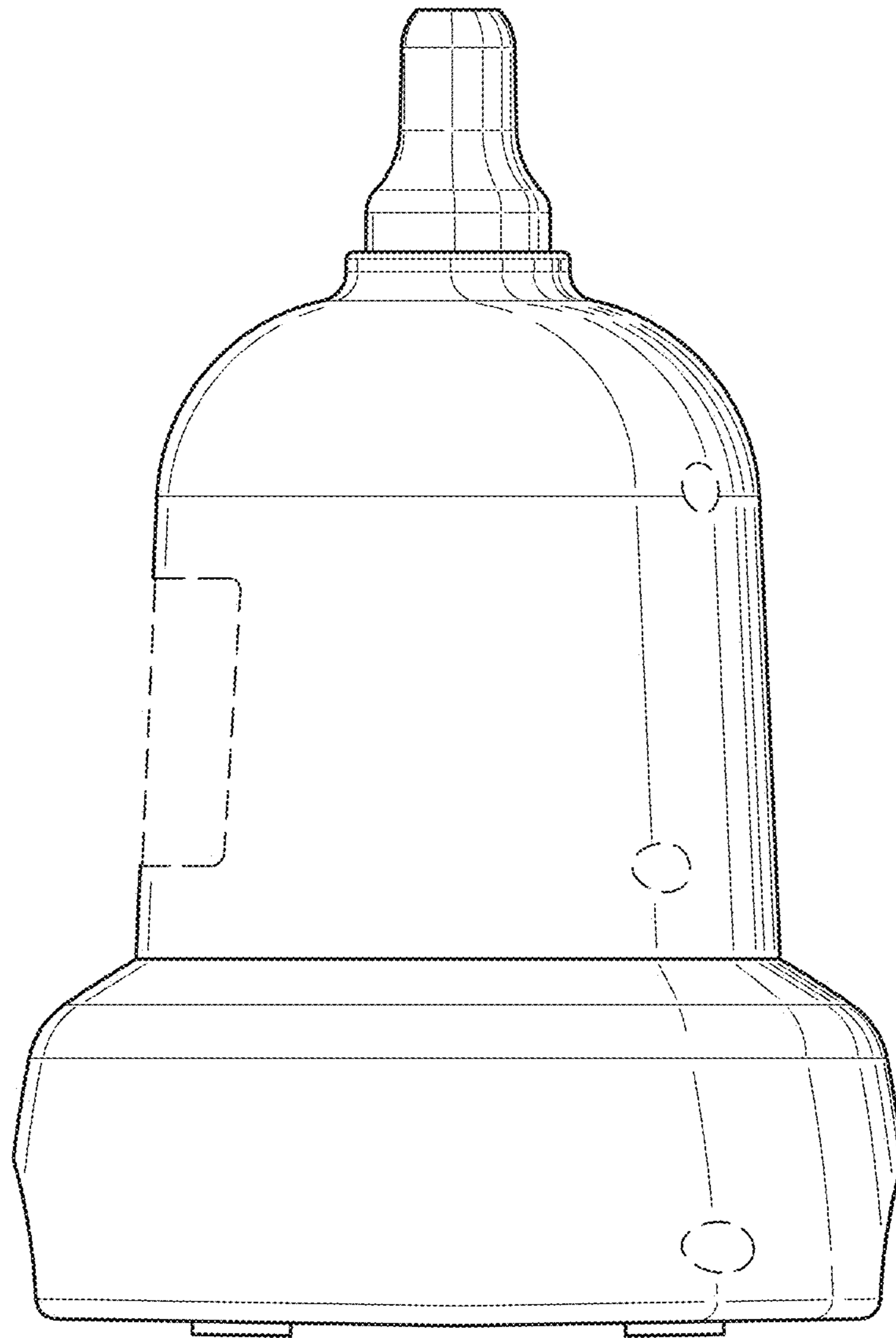


FIG. 4

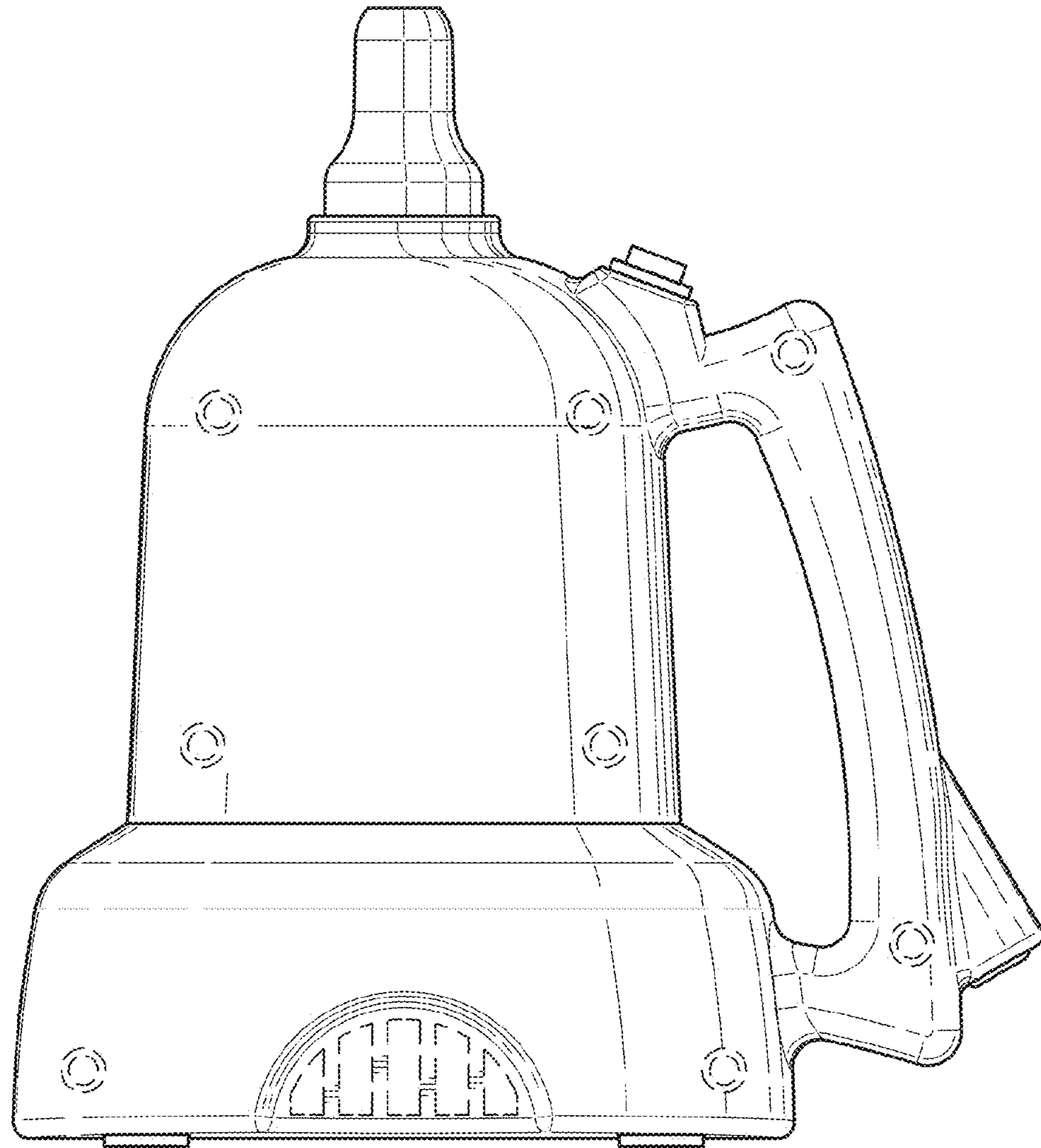


FIG. 5

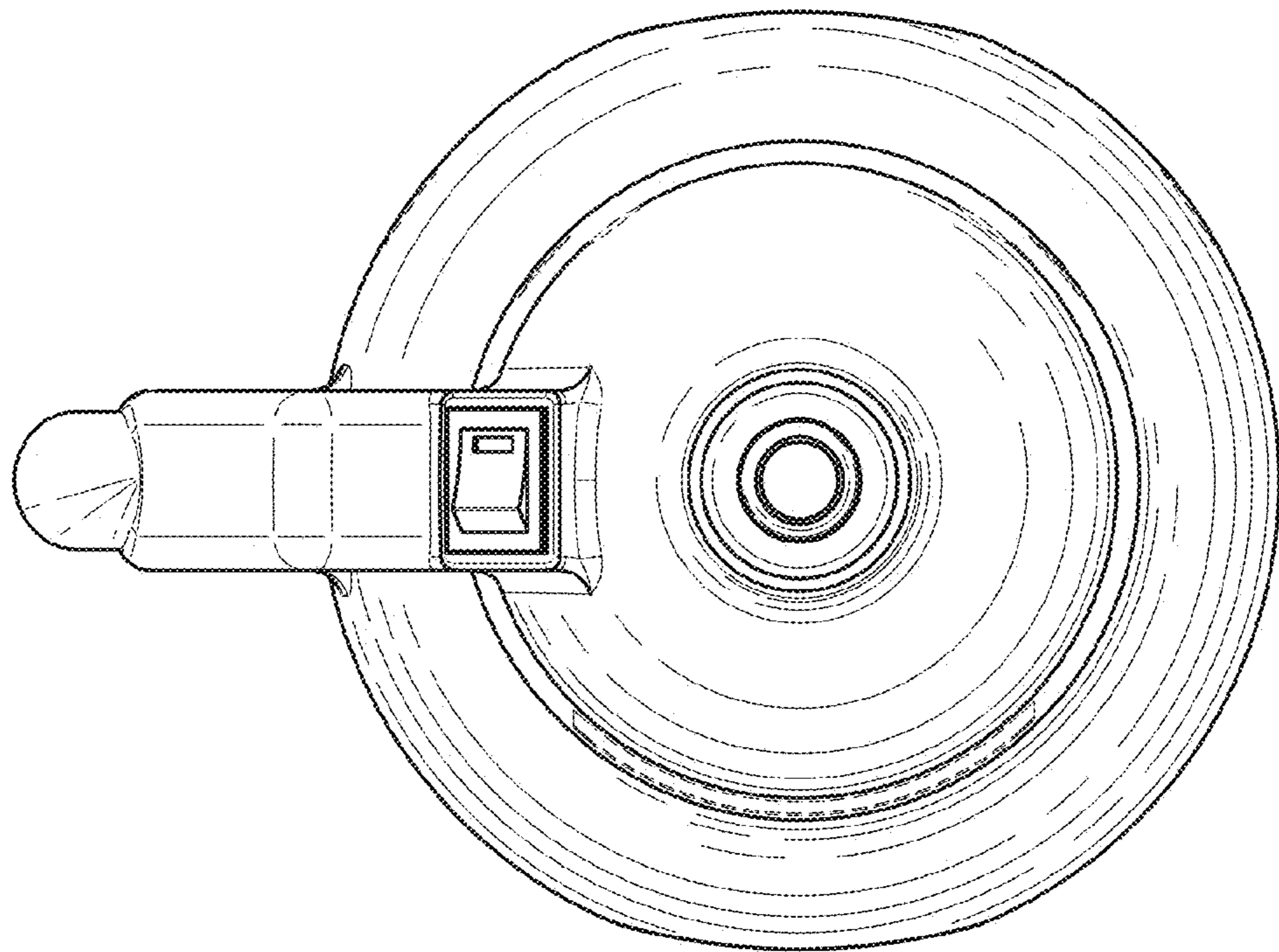


FIG. 6

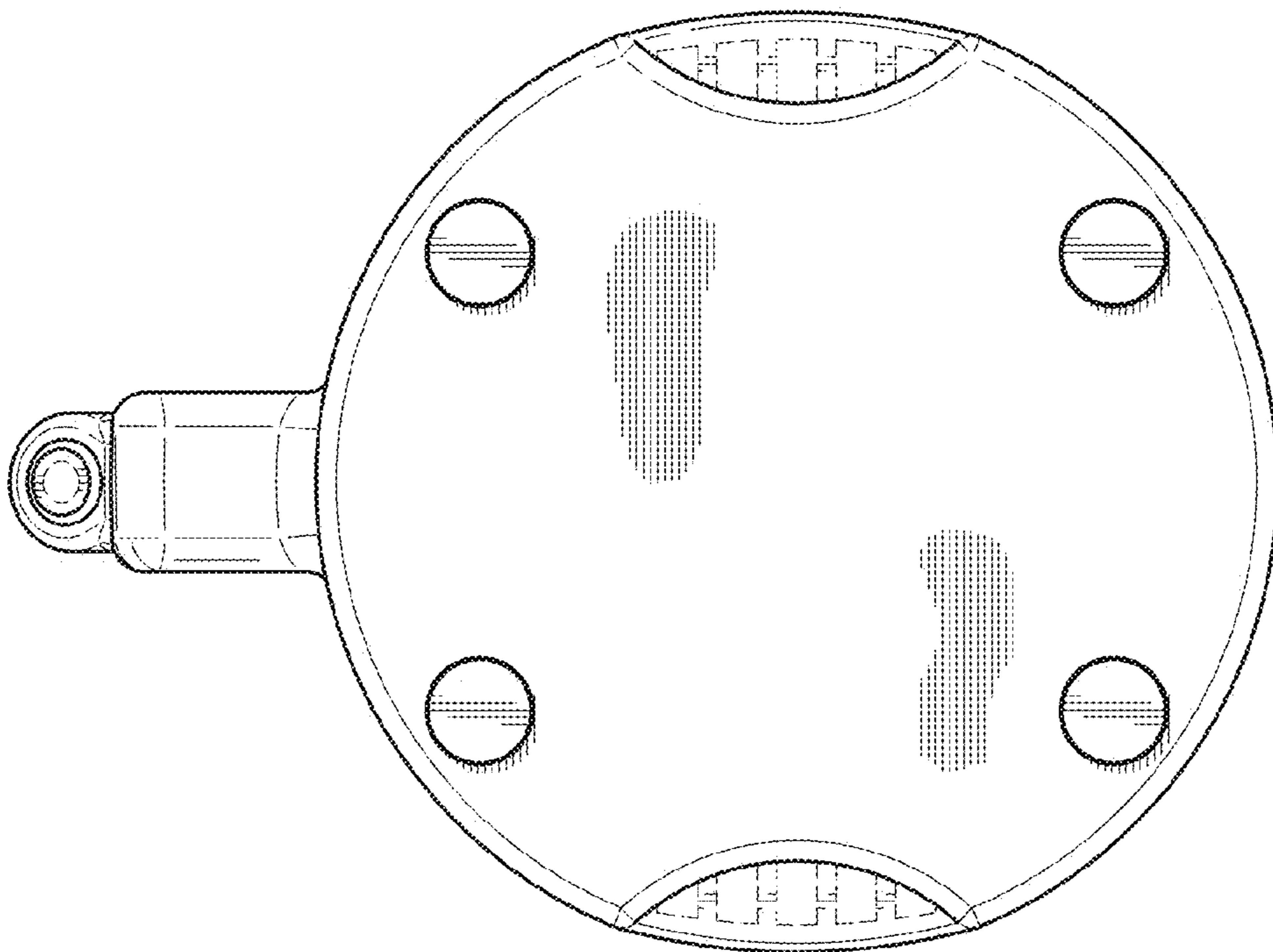


FIG. 7