



US00D738390S

(12) **United States Design Patent**
Bobrovnichiy et al.

(10) **Patent No.:** **US D738,390 S**
(45) **Date of Patent:** **** Sep. 8, 2015**

(54) **DISPLAY SCREEN WITH ANIMATED GRAPHICAL USER INTERFACE**

(71) Applicant: **Wargaming.net LLP**, London (GB)

(72) Inventors: **Dmitriy Bobrovnichiy**, Minsk (BY);
Stepan Drozd, Minsk (BY)

(73) Assignee: **Wargaming.net LLP**, London (GB)

(**) Term: **14 Years**

(21) Appl. No.: **29/485,477**

(22) Filed: **Mar. 19, 2014**

Related U.S. Application Data

(63) Continuation of application No. 29/462,589, filed on Aug. 6, 2013.

(51) **LOC (10) Cl.** **14-04**

(52) **U.S. Cl.**
USPC **D14/485**

(58) **Field of Classification Search**
USPC D14/485-495; 715/835, 836, 837, 840,
715/846, 847, 976, 977
CPC ... G06F 3/048; G06F 3/0481; G06F 3/04817;
G06F 3/0482
See application file for complete search history.

(56) **References Cited**

U.S. PATENT DOCUMENTS

D386,516 S	*	11/1997	Thomas	D14/491
D387,048 S		12/1997	Fumarolo et al.		
D404,389 S		1/1999	Mullin et al.		
D418,498 S	*	1/2000	Leonard	D14/495
D461,478 S		8/2002	Bungert		
D482,044 S	*	11/2003	Peters	D14/493
D563,983 S	*	3/2008	Hosokawa et al.	D14/489
D570,868 S	*	6/2008	Hosokawa et al.	D14/489
D589,976 S	*	4/2009	Hosokawa et al.	D14/489
D593,127 S	*	5/2009	Hosokawa et al.	D14/492

D647,102 S	*	10/2011	Tokunaga et al.	D14/485
D648,731 S		11/2011	Chou et al.		
D679,721 S		4/2013	Seo		
D680,128 S		4/2013	Seo		
D684,583 S		6/2013	Brinda et al.		
D689,094 S		9/2013	Nakaoka et al.		
D689,096 S		9/2013	Nagaoka et al.		
D694,254 S		11/2013	Brinda et al.		
D706,283 S	*	6/2014	Pedraza Padilla et al.	...	D14/486
D711,393 S	*	8/2014	Campiranon et al.	D14/485
D712,425 S	*	9/2014	Nagaoka	D14/486
D719,578 S	*	12/2014	Inose et al.	D14/485
D723,574 S	*	3/2015	Yamazaki	D14/485
2014/0195921 A1		7/2014	Grosz et al.		
2014/0250390 A1		9/2014	Holmes et al.		
2015/0052431 A1		2/2015	Zhu et al.		

* cited by examiner

Primary Examiner — Angela J Lee

(74) *Attorney, Agent, or Firm* — Banner & Witcoff, Ltd.

(57) **CLAIM**

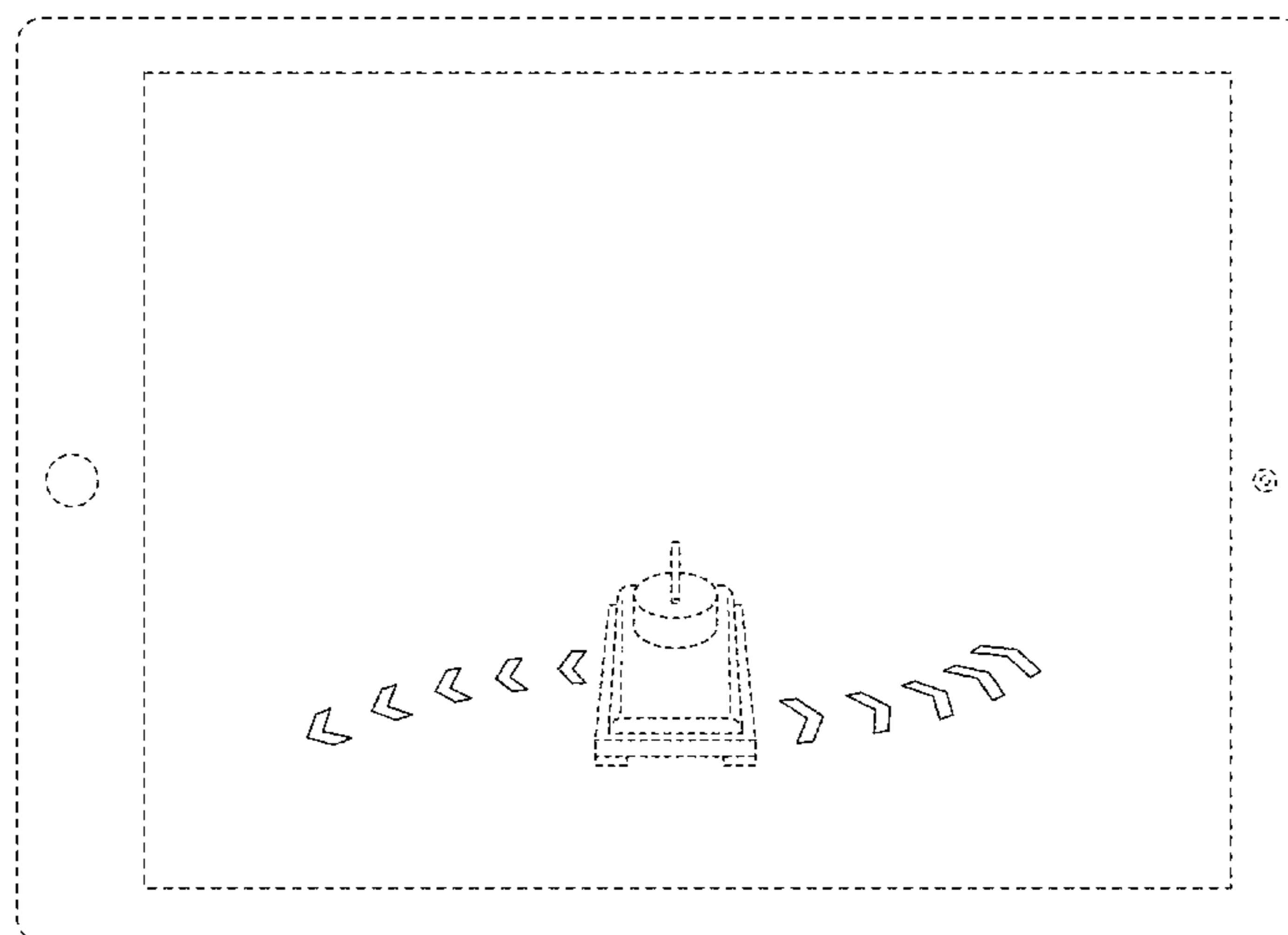
The ornamental design for a display screen with animated graphical user interface, as shown and described.

DESCRIPTION

FIG. 1 is the first image in a sequence for a display screen with animated graphical user interface showing the new design; FIG. 2 is the second image thereof; FIG. 3 is the third image thereof; FIG. 4 is the fourth image thereof; FIG. 5 is the fifth image thereof; FIG. 6 is the sixth image thereof; and, FIG. 7 is the seventh image thereof.

The appearance of the animated graphical user interface sequentially transitions between the images shown in FIGS. 1-7. The process or period in which one image transitions to another forms no part of the claimed design. The broken line showing of the tank and the remainder of the display screen is for environmental purposes only and forms no part of the claimed design.

1 Claim, 7 Drawing Sheets



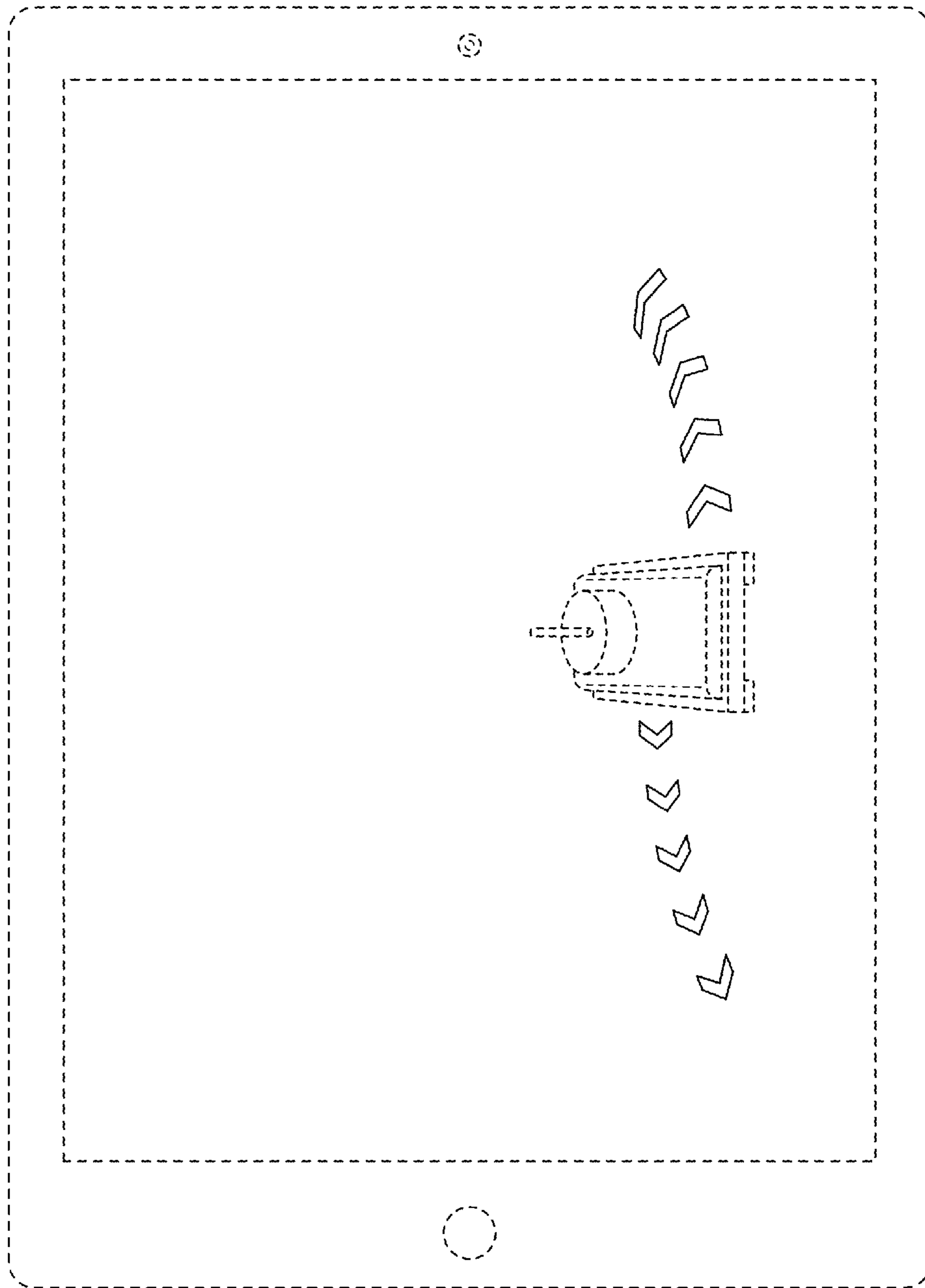


FIG. 1

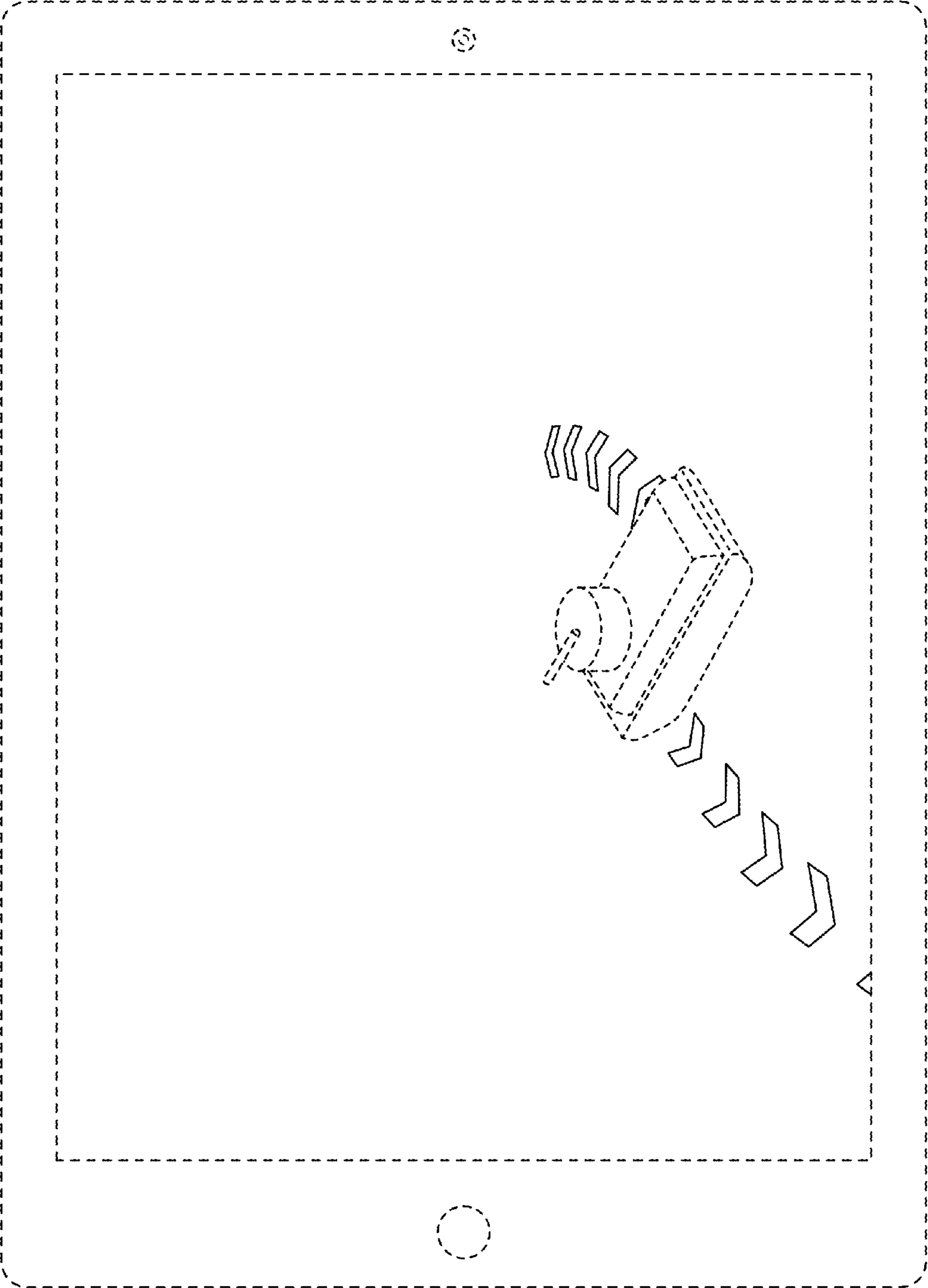


FIG. 2

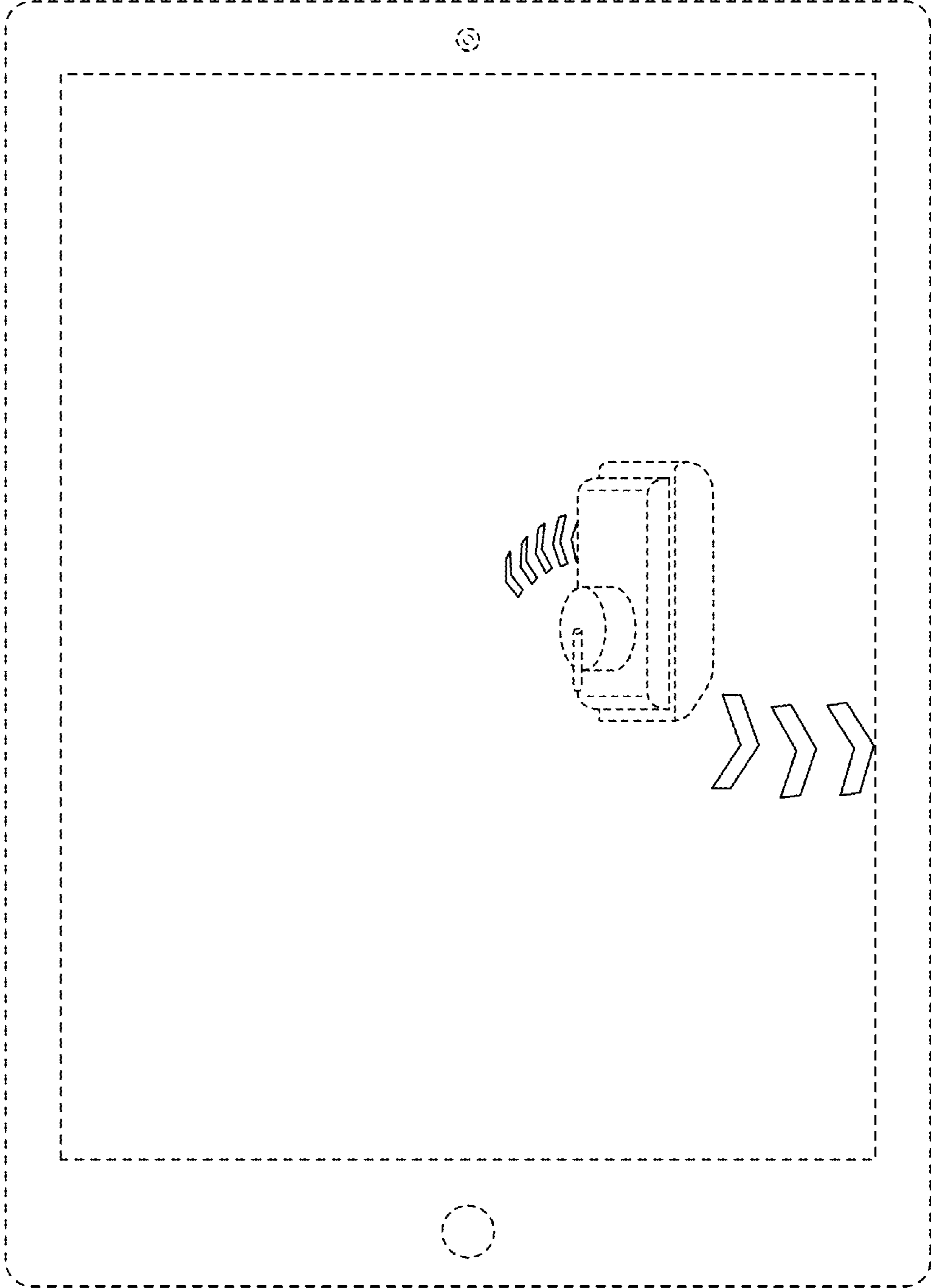


FIG. 3

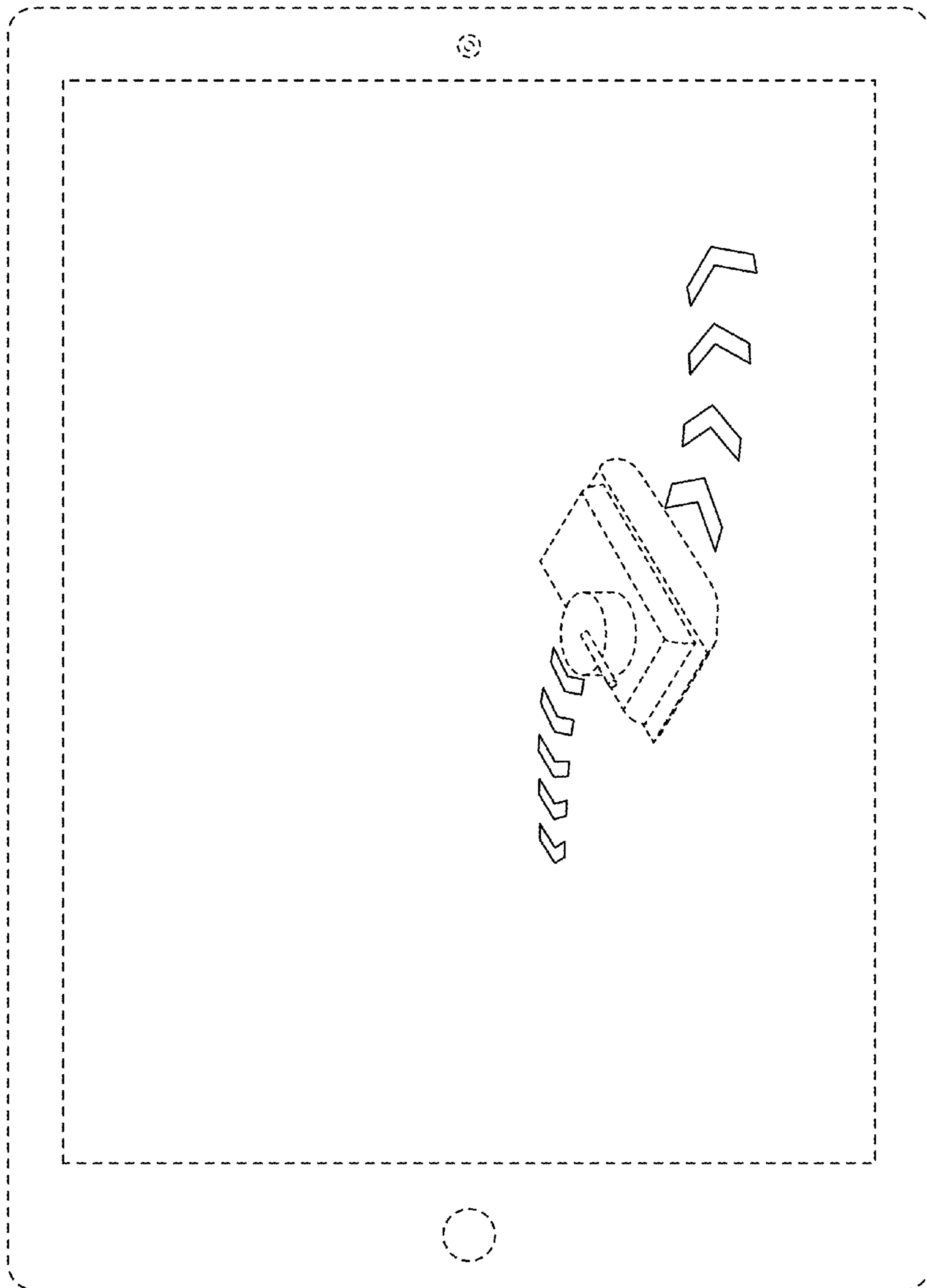


FIG. 4

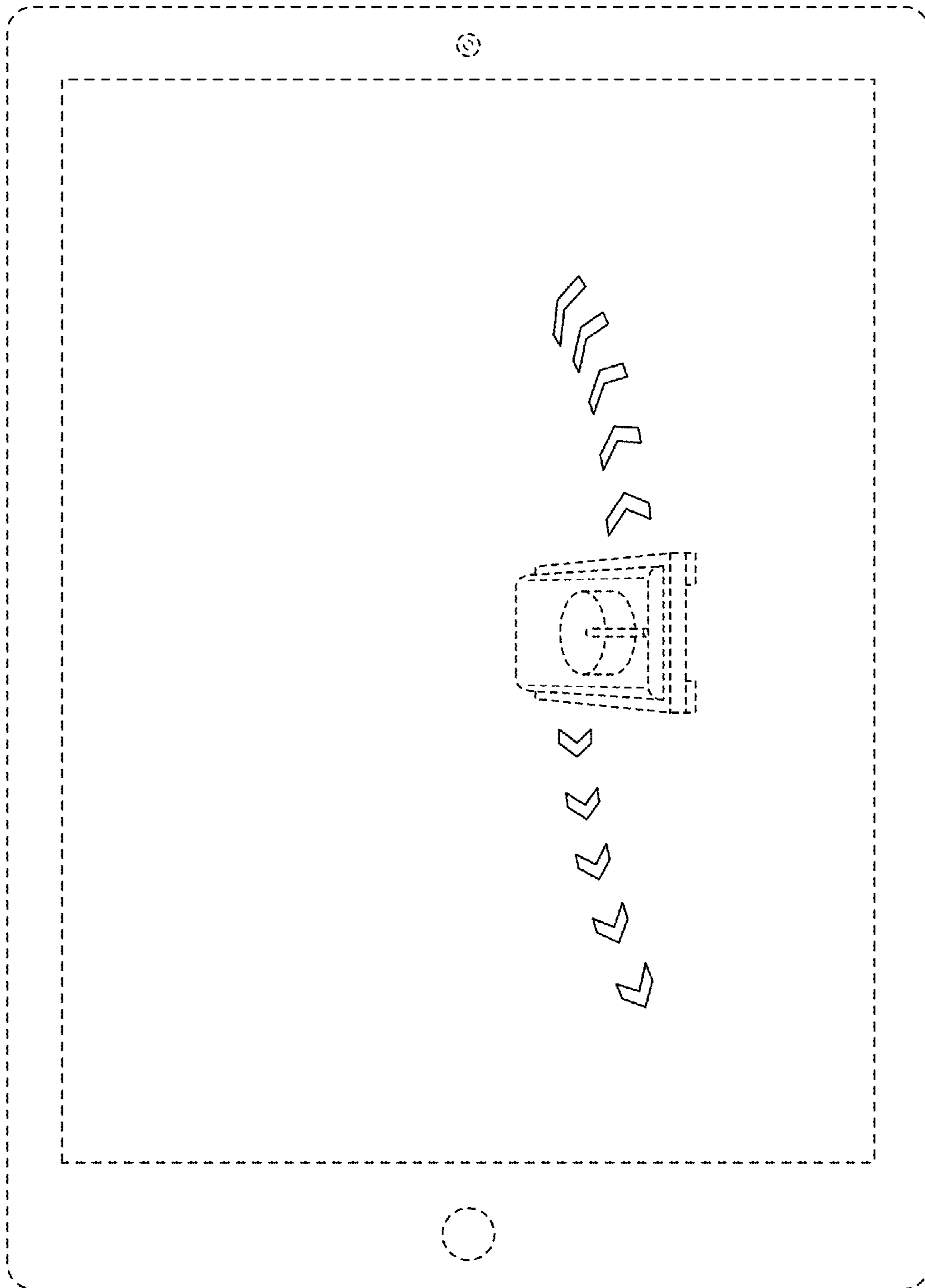


FIG. 5

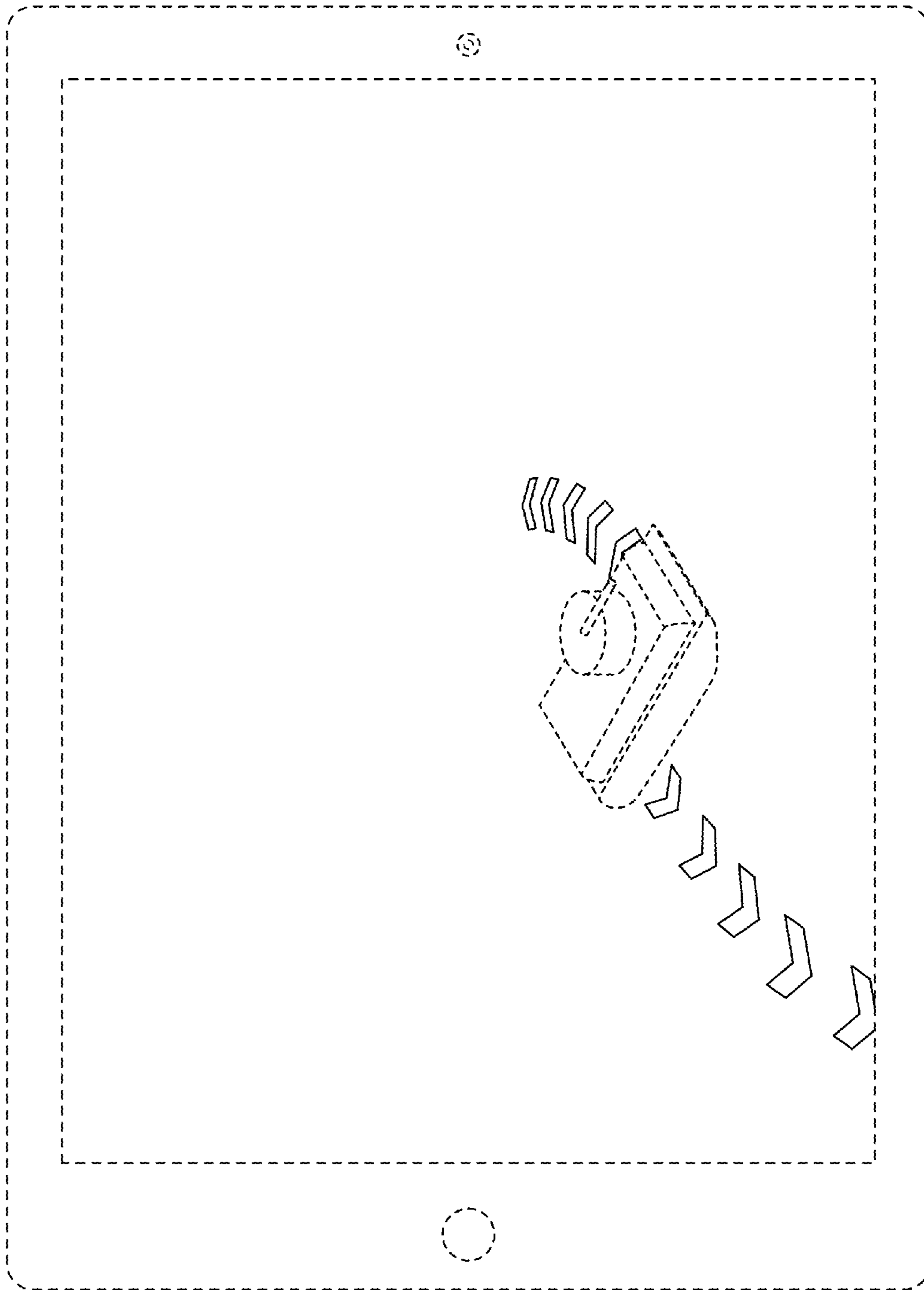


FIG. 6

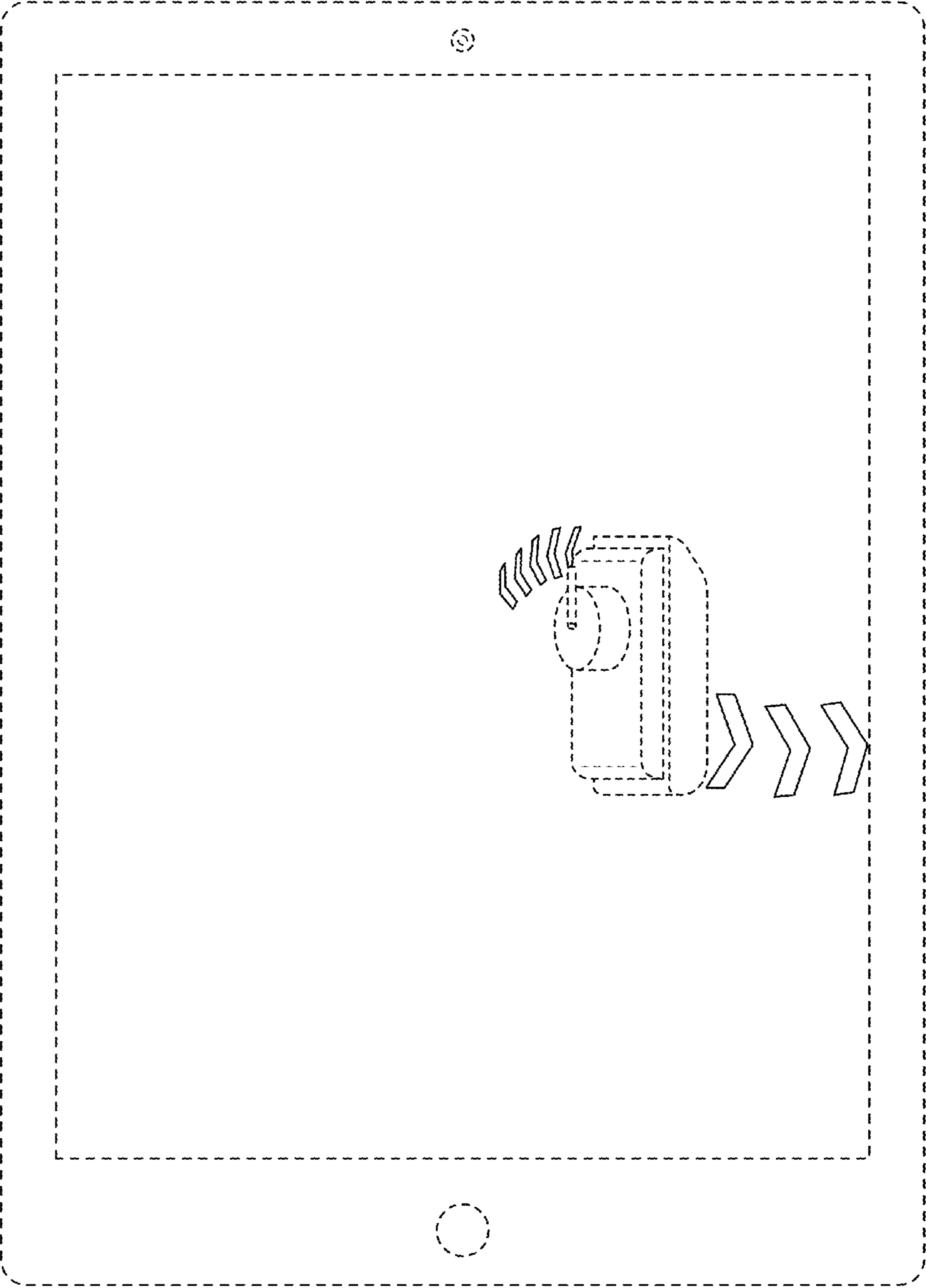


FIG. 7