



US00D738389S

(12) **United States Design Patent**
Drozd et al.

(10) **Patent No.:** **US D738,389 S**
(45) **Date of Patent:** **** Sep. 8, 2015**

(54) **DISPLAY SCREEN WITH ANIMATED GRAPHICAL USER INTERFACE**

(71) Applicant: **Wargaming.net LLP**, London (GB)

(72) Inventors: **Stepan Drozd**, Minsk (BY); **Dmitriy Bobrovnichiy**, Minsk (BY)

(73) Assignee: **Wargaming.net LLP**, London (GB)

(**) Term: **14 Years**

(21) Appl. No.: **29/485,454**

(22) Filed: **Mar. 19, 2014**

(51) **LOC (10) Cl.** **14-04**

(52) **U.S. Cl.**
USPC **D14/485**

(58) **Field of Classification Search**
USPC D14/485-495; 715/835, 836, 837, 840, 715/846, 847, 976, 977
CPC ... G06F 3/048; G06F 3/0481; G06F 3/04817; G06F 3/0482
See application file for complete search history.

(56) **References Cited**

U.S. PATENT DOCUMENTS

D386,516 S	*	11/1997	Thomas	D14/491
D418,498 S	*	1/2000	Leonard	D14/495
D482,044 S	*	11/2003	Peters	D14/493
D563,983 S	*	3/2008	Hosokawa et al.	D14/489
D570,868 S	*	6/2008	Hosokawa et al.	D14/489
D589,976 S	*	4/2009	Hosokawa et al.	D14/489

D593,127 S	*	5/2009	Hosokawa et al.	D14/492
D647,102 S	*	10/2011	Tokunaga et al.	D14/485
D706,283 S	*	6/2014	Pedraza Padilla et al.	...	D14/486
D711,393 S	*	8/2014	Campiranon et al.	D14/485
D712,425 S	*	9/2014	Nagaoka	D14/486
D719,578 S	*	12/2014	Inose et al.	D14/485
D723,574 S	*	3/2015	Yamazaki	D14/485

* cited by examiner

Primary Examiner — Angela J Lee

(74) *Attorney, Agent, or Firm* — Banner & Witcoff, Ltd.

(57) **CLAIM**

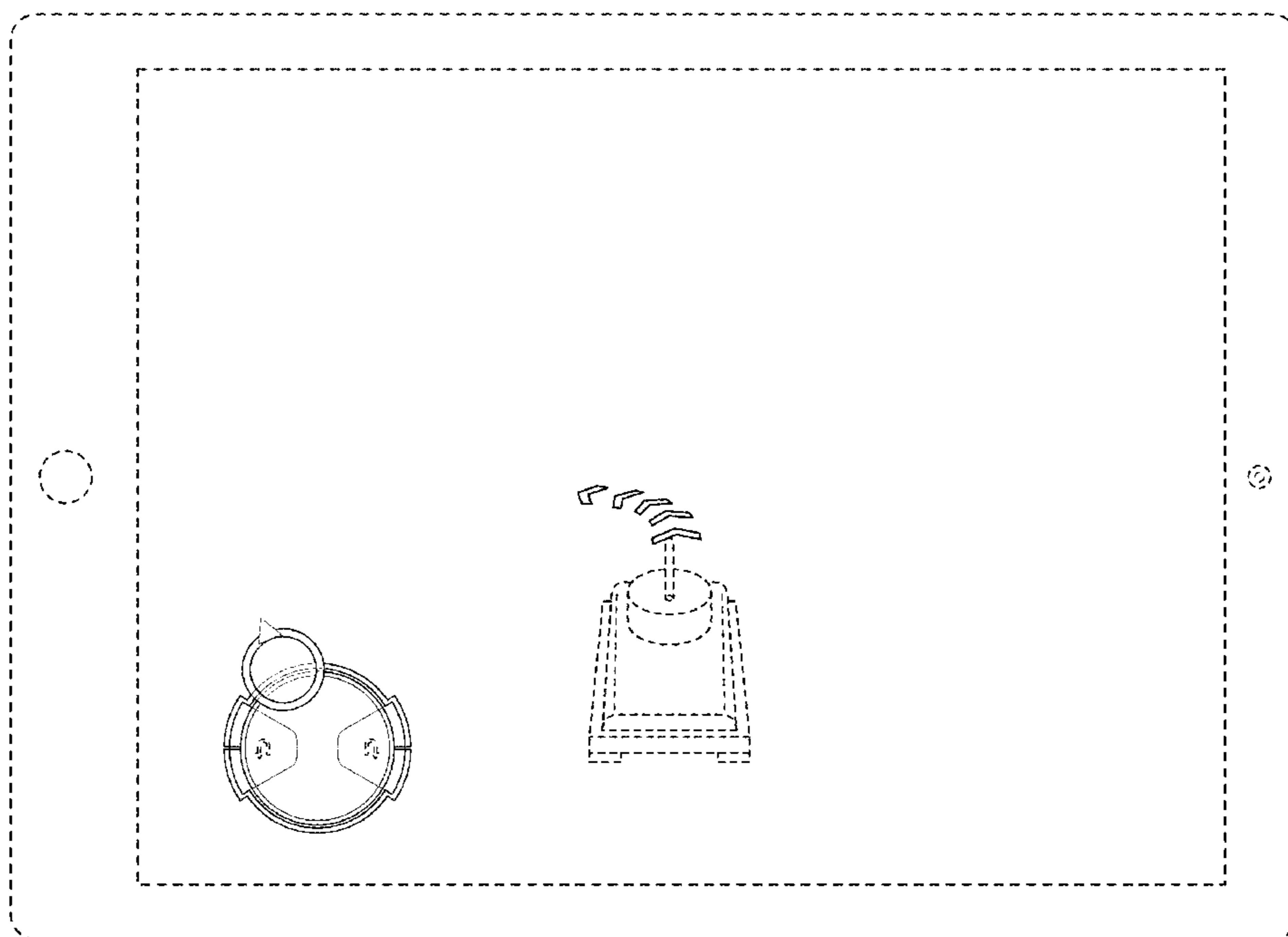
The ornamental design for a display screen with animated graphical user interface, as shown and described.

DESCRIPTION

FIG. 1 is the first image in a sequence for a display screen with animated graphical user interface showing the new design; FIG. 2 is the second image thereof; FIG. 3 is the third image thereof; FIG. 4 is the fourth image thereof; FIG. 5 is the fifth image thereof; FIG. 6 is the sixth image thereof; and, FIG. 7 is the seventh image thereof.

The appearance of the animated graphical user interface sequentially transitions between the images shown in FIGS. 1-7. The process or period in which one image transitions to another forms no part of the claimed design. The broken line showing of the tank, the curved arrows, and the remainder of the display screen is for environmental purposes only and forms no part of the claimed design.

1 Claim, 7 Drawing Sheets



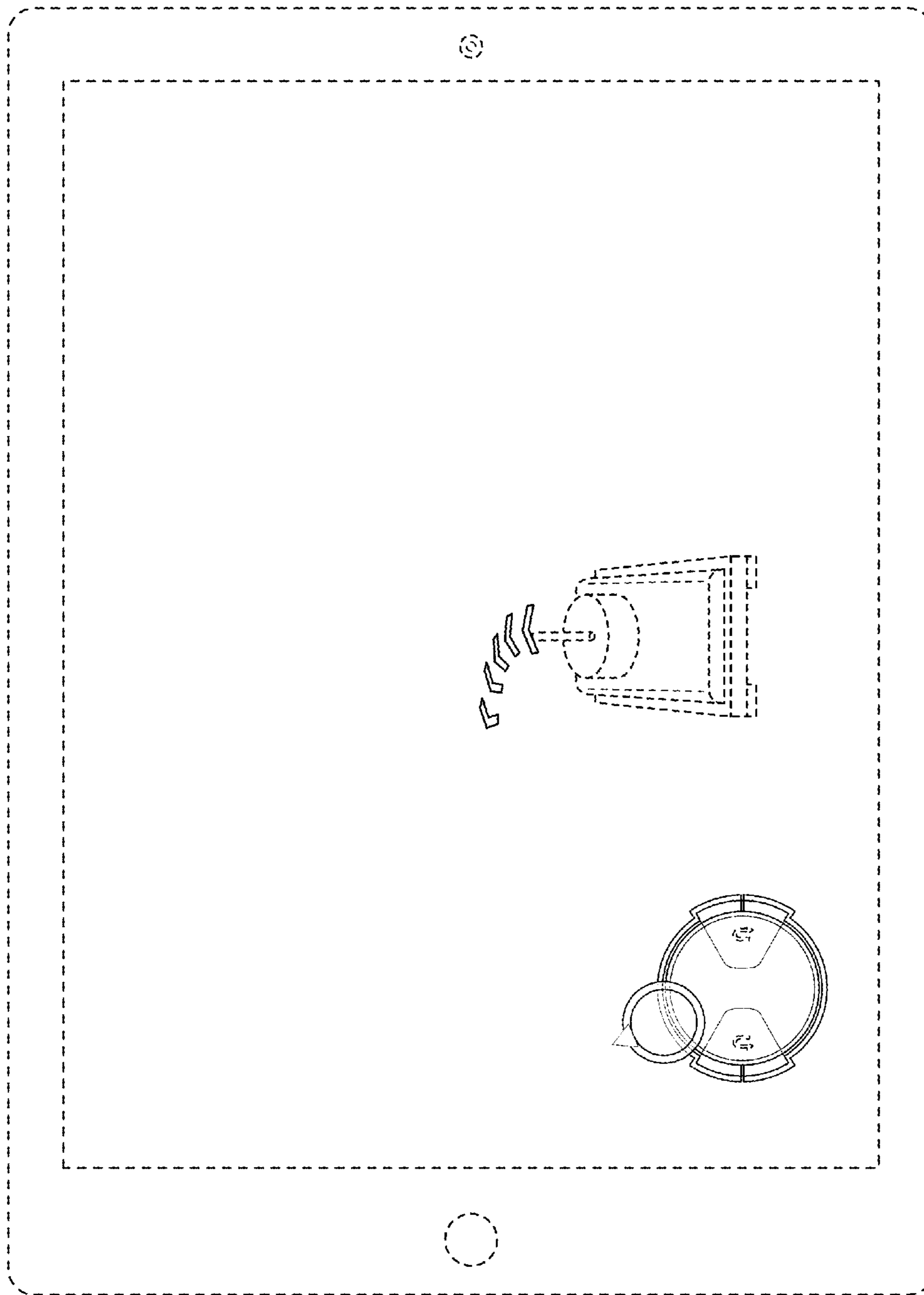


FIG. 1

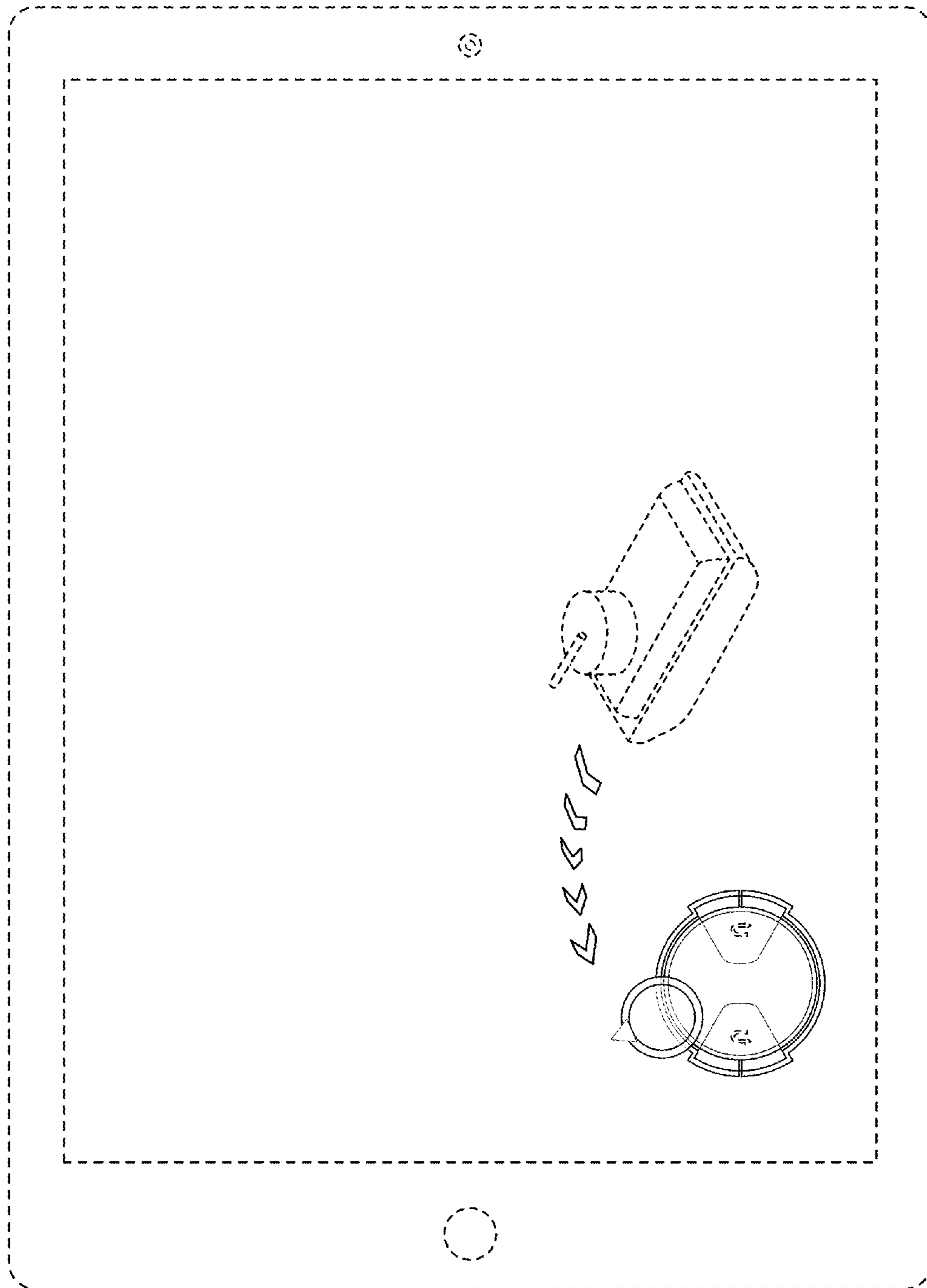


FIG. 2

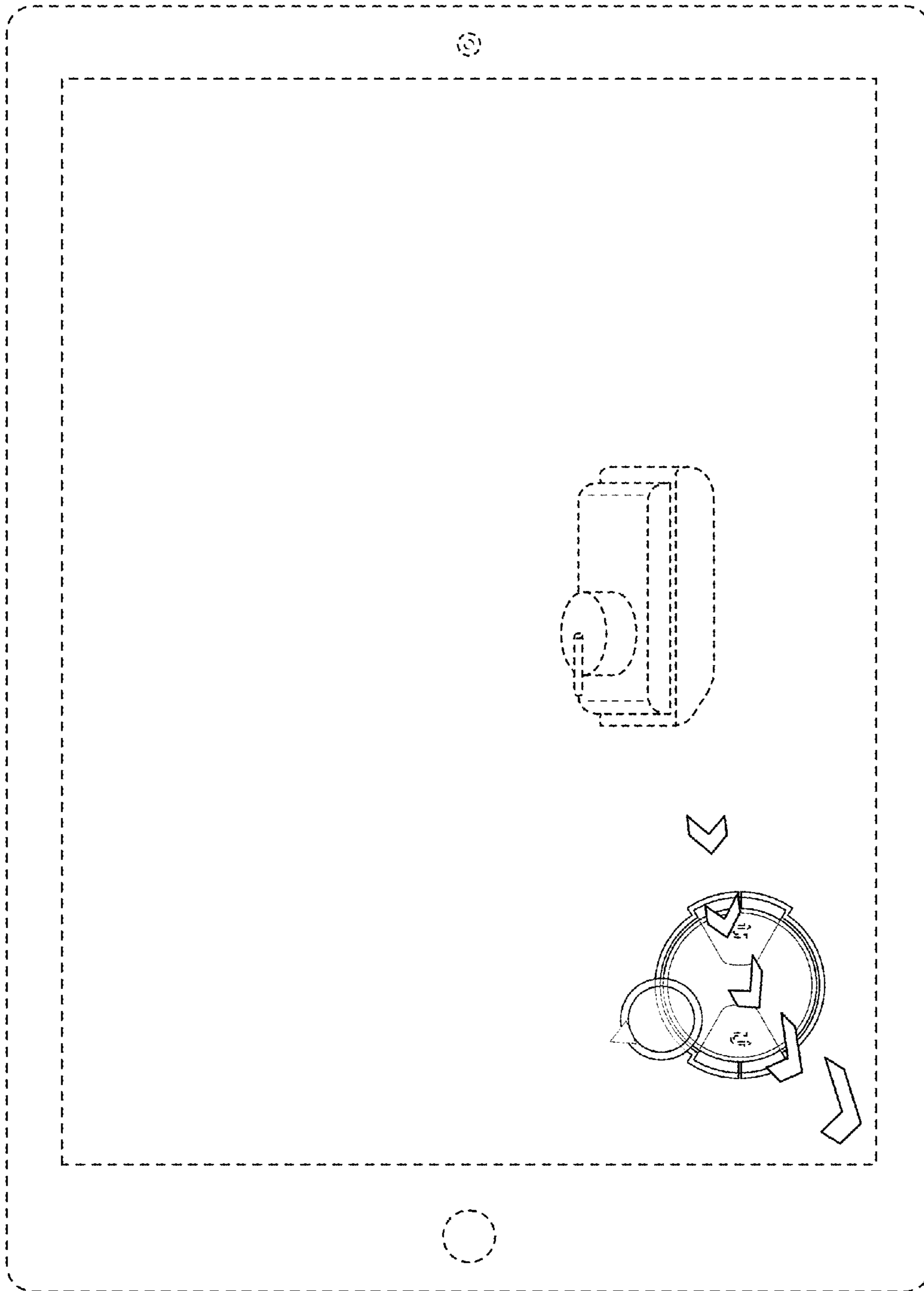


FIG. 3

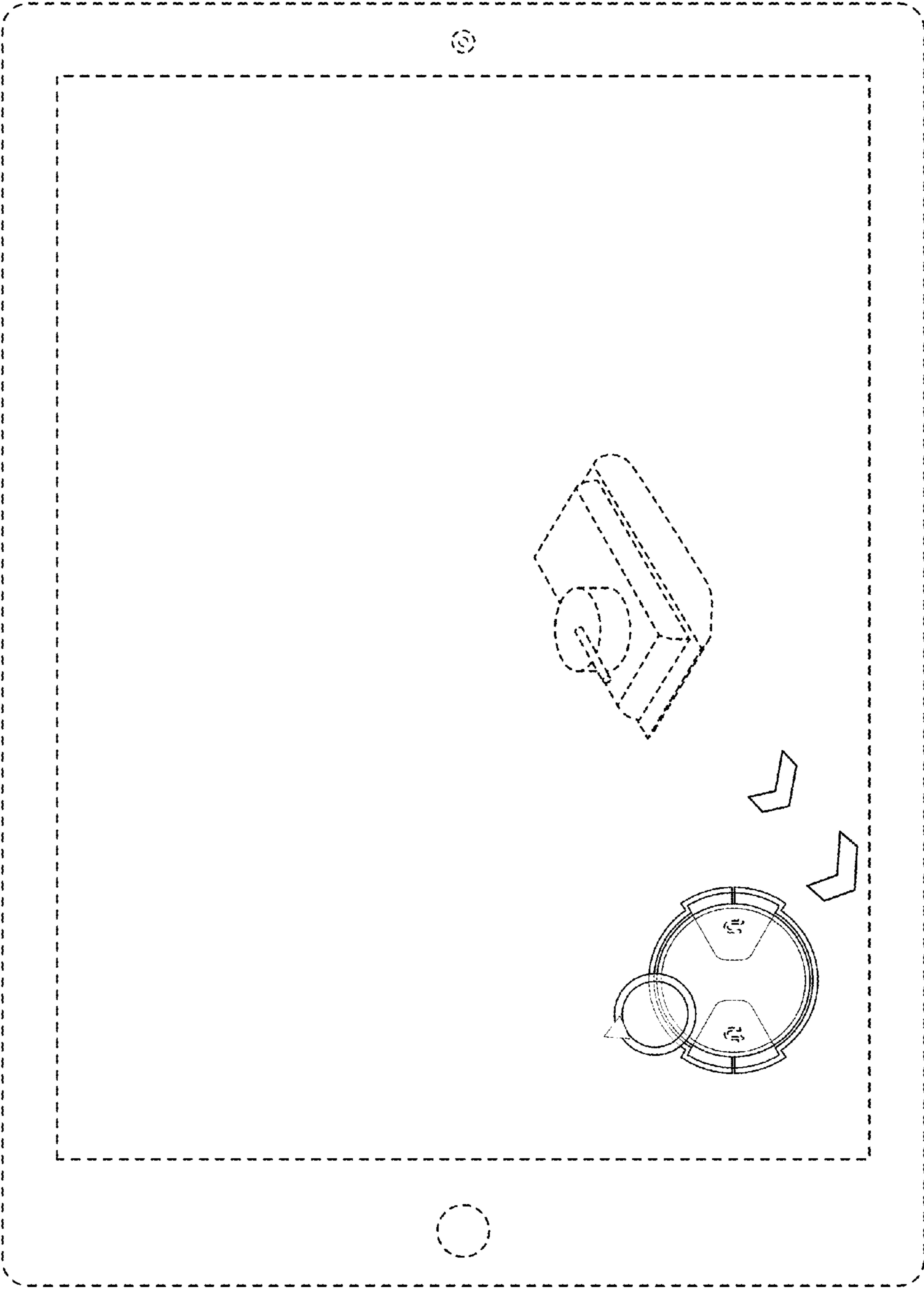


FIG. 4

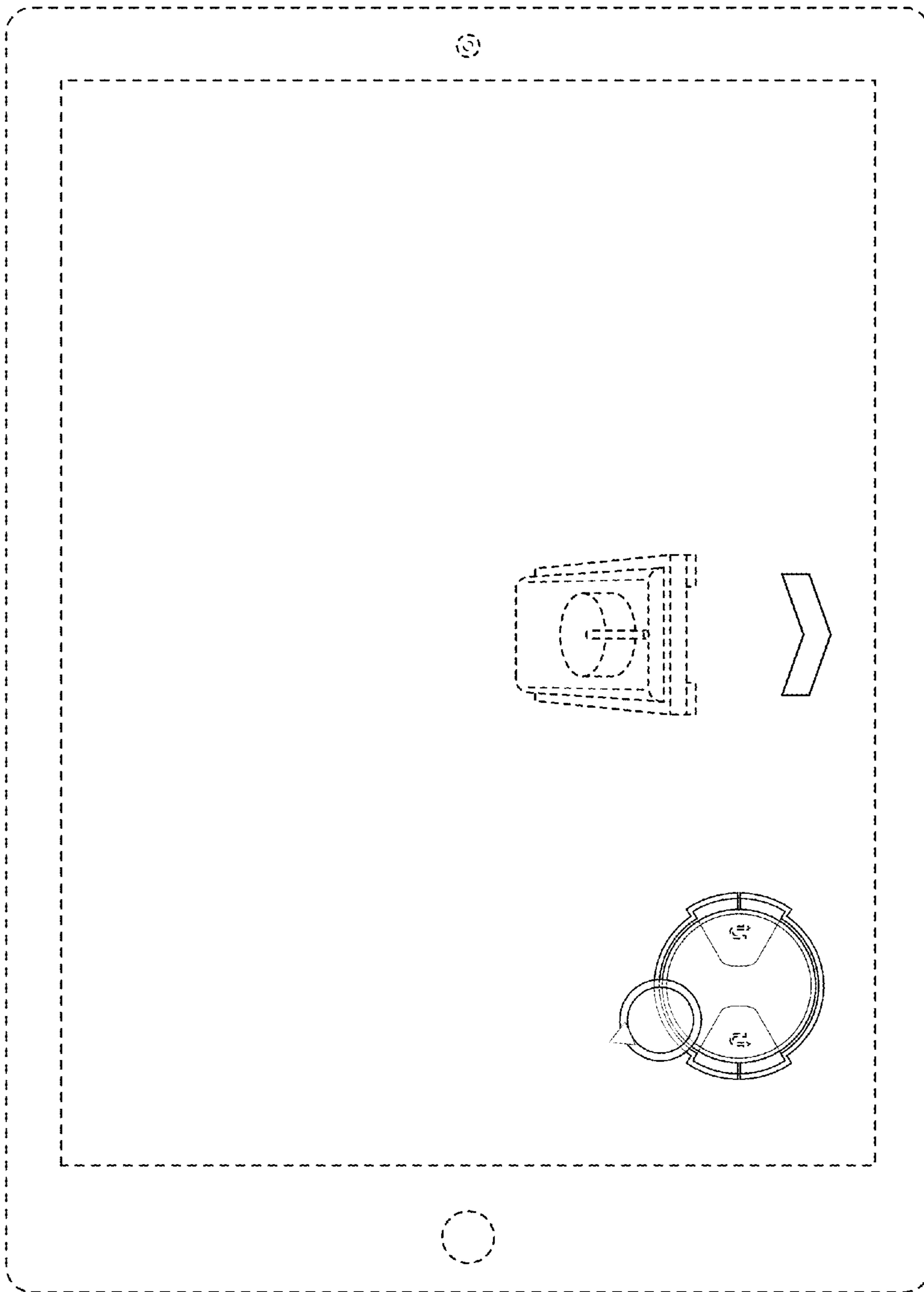


FIG. 5

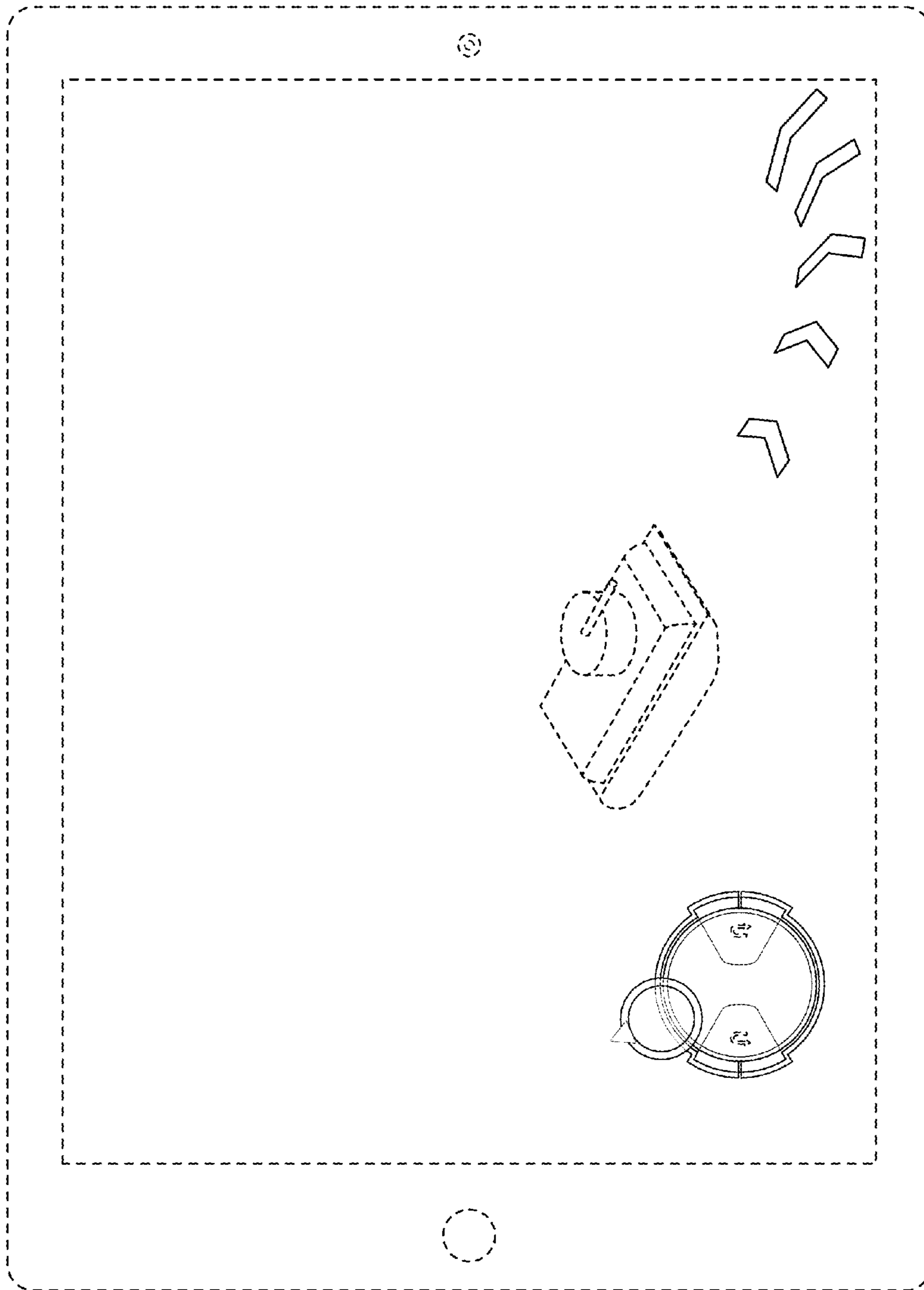


FIG. 6

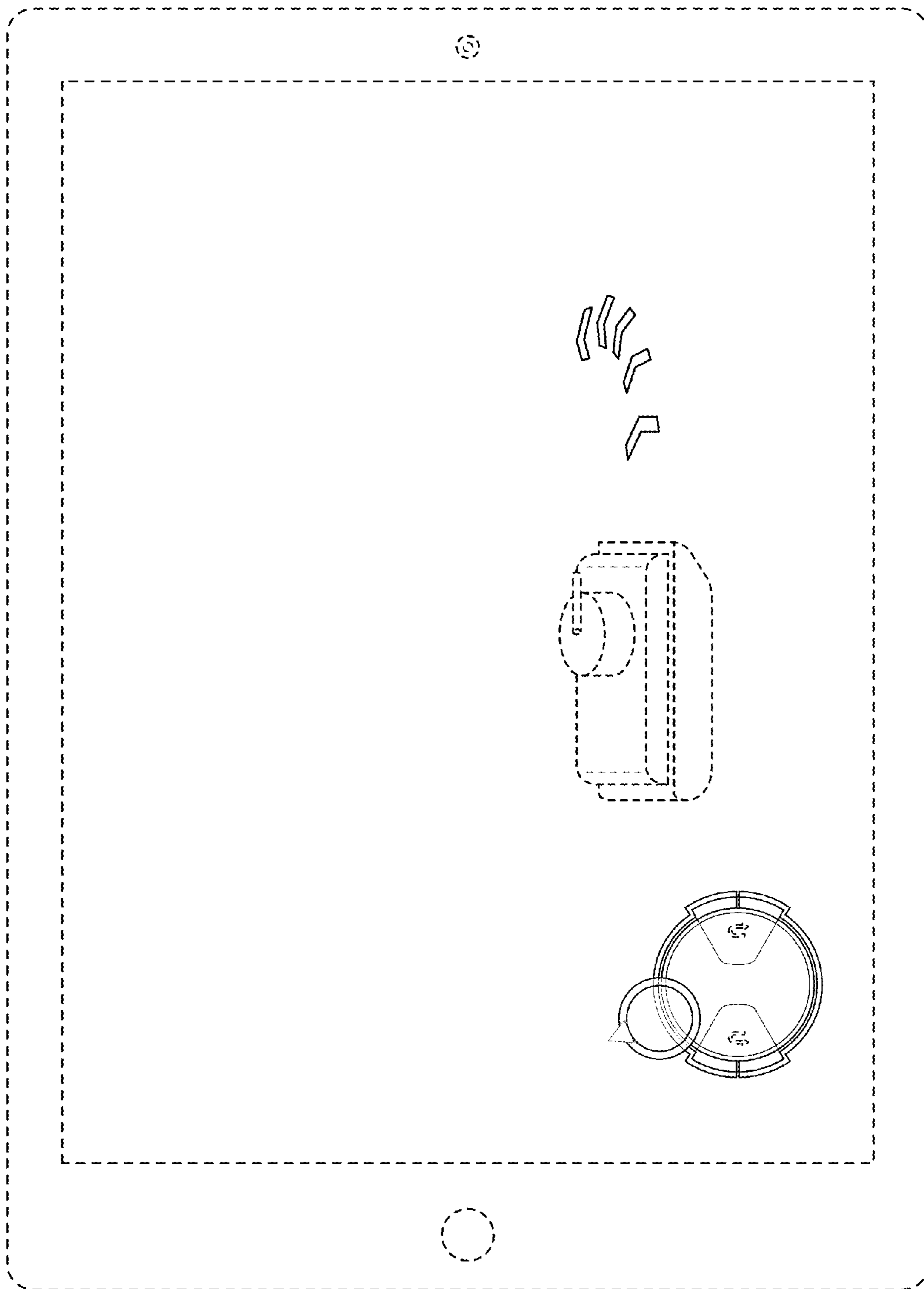


FIG. 7