



US00D738374S

(12) **United States Design Patent**
Luckey et al.

(10) **Patent No.:** **US D738,374 S**
(45) **Date of Patent:** **** Sep. 8, 2015**

(54) **VIRTUAL REALITY HEADSET**

(71) Applicant: **Oculus VR, LLC**, Menlo Park, CA (US)

(72) Inventors: **Palmer Luckey**, Long Beach, CA (US);
Brendan Iribe Trexler, Santa Ana, CA (US);
Graham England, Caldecote (GB);
Jack McCauley, Danville, CA (US)

(73) Assignee: **Oculus VR, LLC**, Menlo Park, CA (US)

(**) Term: **14 Years**

(21) Appl. No.: **29/472,807**

(22) Filed: **Nov. 15, 2013**

(51) **LOC (10) Cl.** **14-02**

(52) **U.S. Cl.**
USPC **D14/372**

(58) **Field of Classification Search**
USPC D14/372, 496, 432, 371, 125, 126, 129,
D14/299; D16/300-342; 351/158, 153, 144;
345/7-9, 905; 455/344; 348/115, 53,
348/121, 739

CPC G02B 27/017; G02B 27/0158; G02B
27/0161; G02B 27/0181; G02B 27/0185;
G02B 27/0189

See application file for complete search history.

(56) **References Cited**

U.S. PATENT DOCUMENTS

D338,514 S *	8/1993	Holmes	D14/372
D363,482 S *	10/1995	Robinson et al.	D14/372
D369,595 S *	5/1996	Kober et al.	D14/372
D374,002 S *	9/1996	Bassett et al.	D14/372
D375,495 S *	11/1996	MacIness et al.	D14/372
5,742,263 A *	4/1998	Wang et al.	345/8
D427,982 S *	7/2000	Ishii	D14/372
D440,967 S *	4/2001	Jung	D14/372
D444,155 S *	6/2001	Morooka et al.	D14/496

(Continued)

Primary Examiner — Austin Murphy

(74) *Attorney, Agent, or Firm* — Fenwick & West LLP

(57) **CLAIM**

The ornamental design for a virtual reality headset, as shown and described.

DESCRIPTION

A portion of the disclosure of this patent document contains material which is subject to copyright protection. This patent document may show and/or describe matter which is or may become trade dress of the owner. The copyright and trade dress owner has no objection to the facsimile reproduction by anyone of the patent disclosure as it appears in the Patent and Trademark Office patent files or records, but otherwise reserves all copyright and trade dress rights whatsoever.

This patent is related to the following prior-filed copending non-provisional patent application: 29/456,868 filed on Jun. 4, 2013 and titled "Virtual Reality Headset."

FIG. 1 is a top, front and right side perspective view of a first embodiment of a virtual reality headset.

FIG. 2 is a bottom, rear and left side perspective view thereof.

FIG. 3 is a right side elevation view thereof.

FIG. 4 is a top plan view thereof.

FIG. 5 is a bottom plan view thereof.

FIG. 6 is a left side elevation view thereof.

FIG. 7 is a front elevation view thereof.

FIG. 8 is a rear elevation view thereof.

FIG. 9 is a top, front and right side perspective view of a second embodiment of a virtual reality headset.

FIG. 10 is a bottom, rear and left side perspective view thereof.

FIG. 11 is a right side elevation view thereof.

FIG. 12 is a top plan view thereof.

FIG. 13 is a bottom plan view thereof.

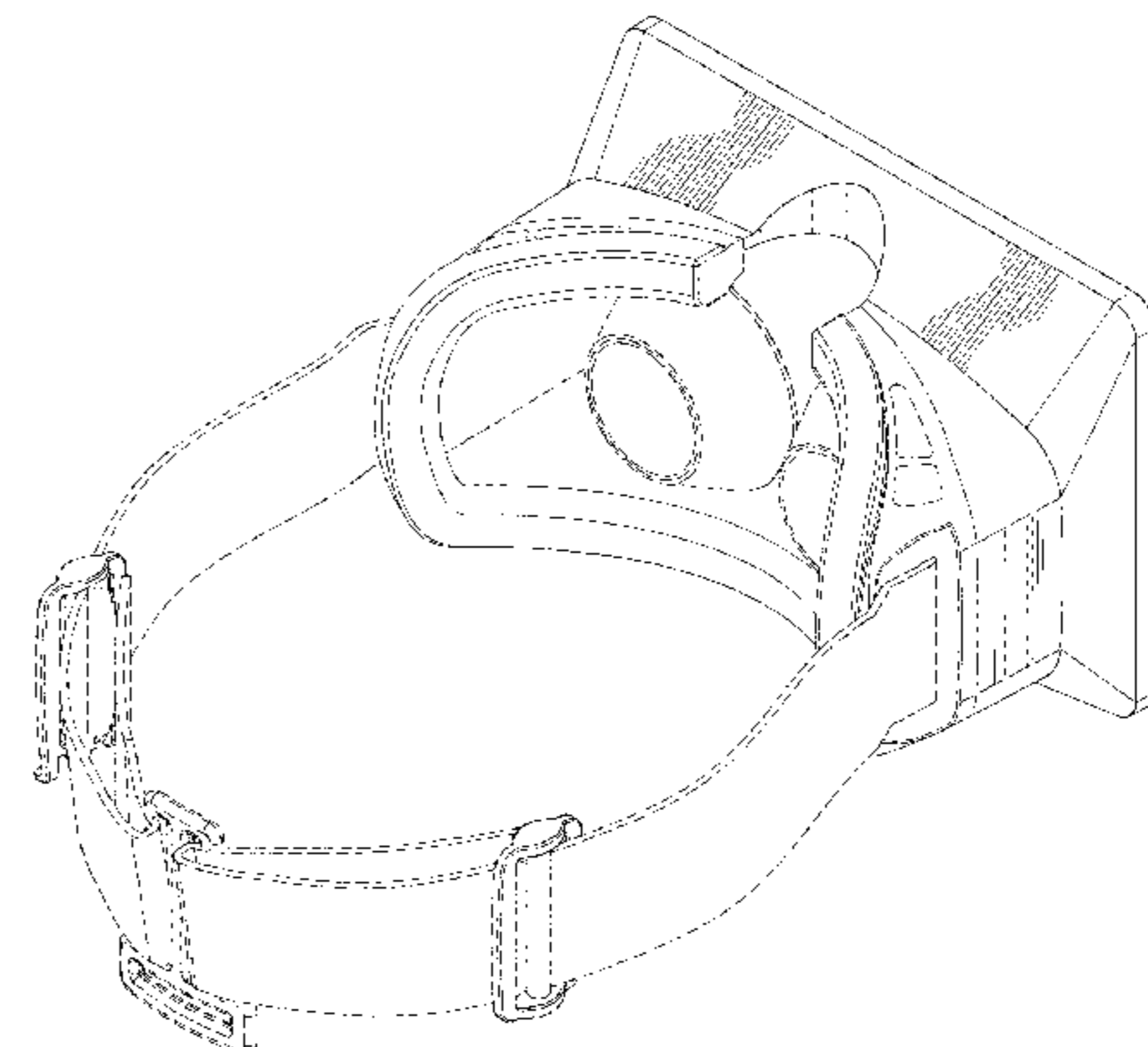
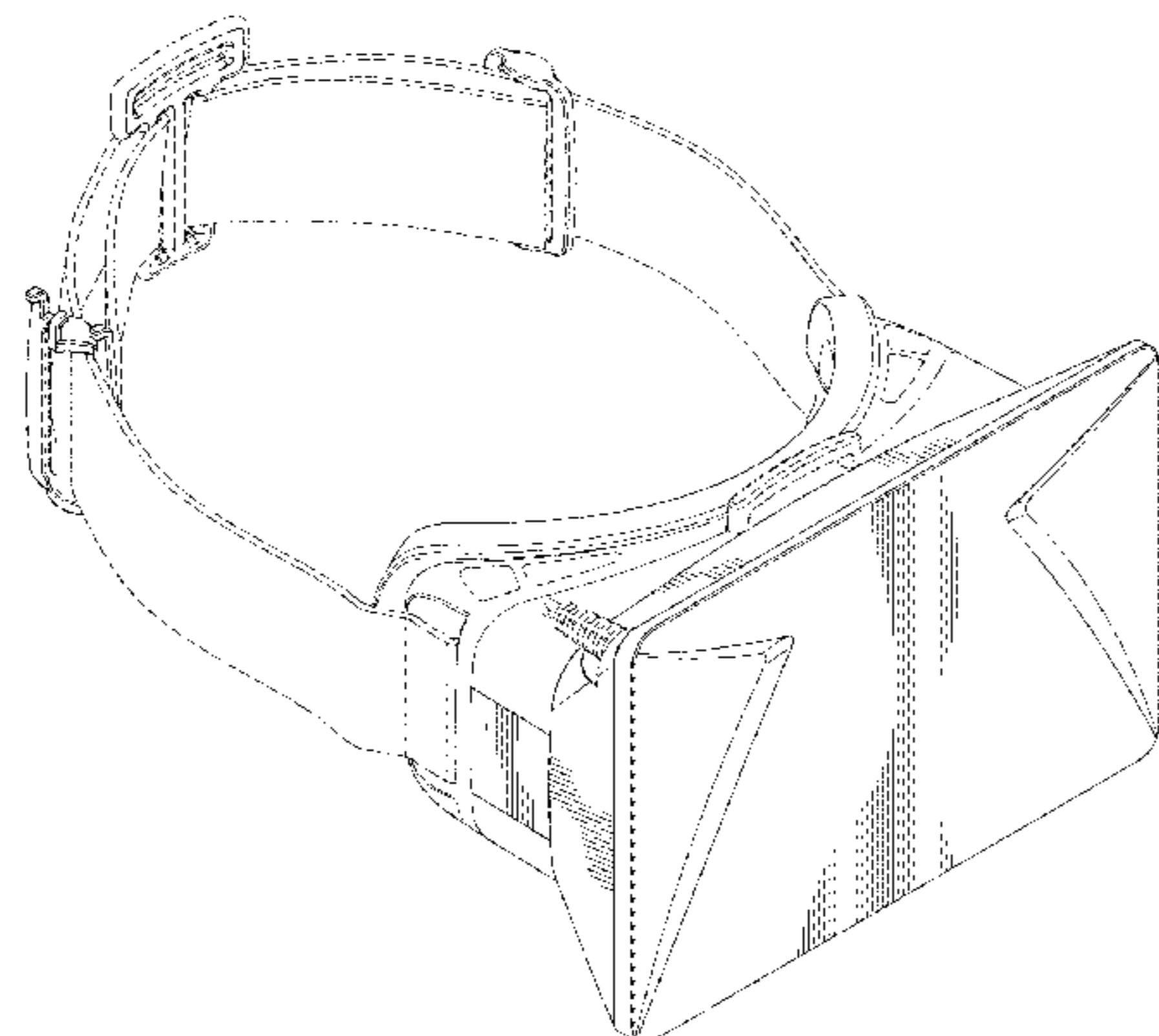
FIG. 14 is a left side elevation view thereof.

FIG. 15 is a front elevation view thereof; and,

FIG. 16 is a rear elevation view thereof.

The broken lines shown in the drawings are for illustrative purposes only and form no part of the claimed design.

1 Claim, 14 Drawing Sheets



2014/09/03/10/23

2014/09/03/10/23

(56)

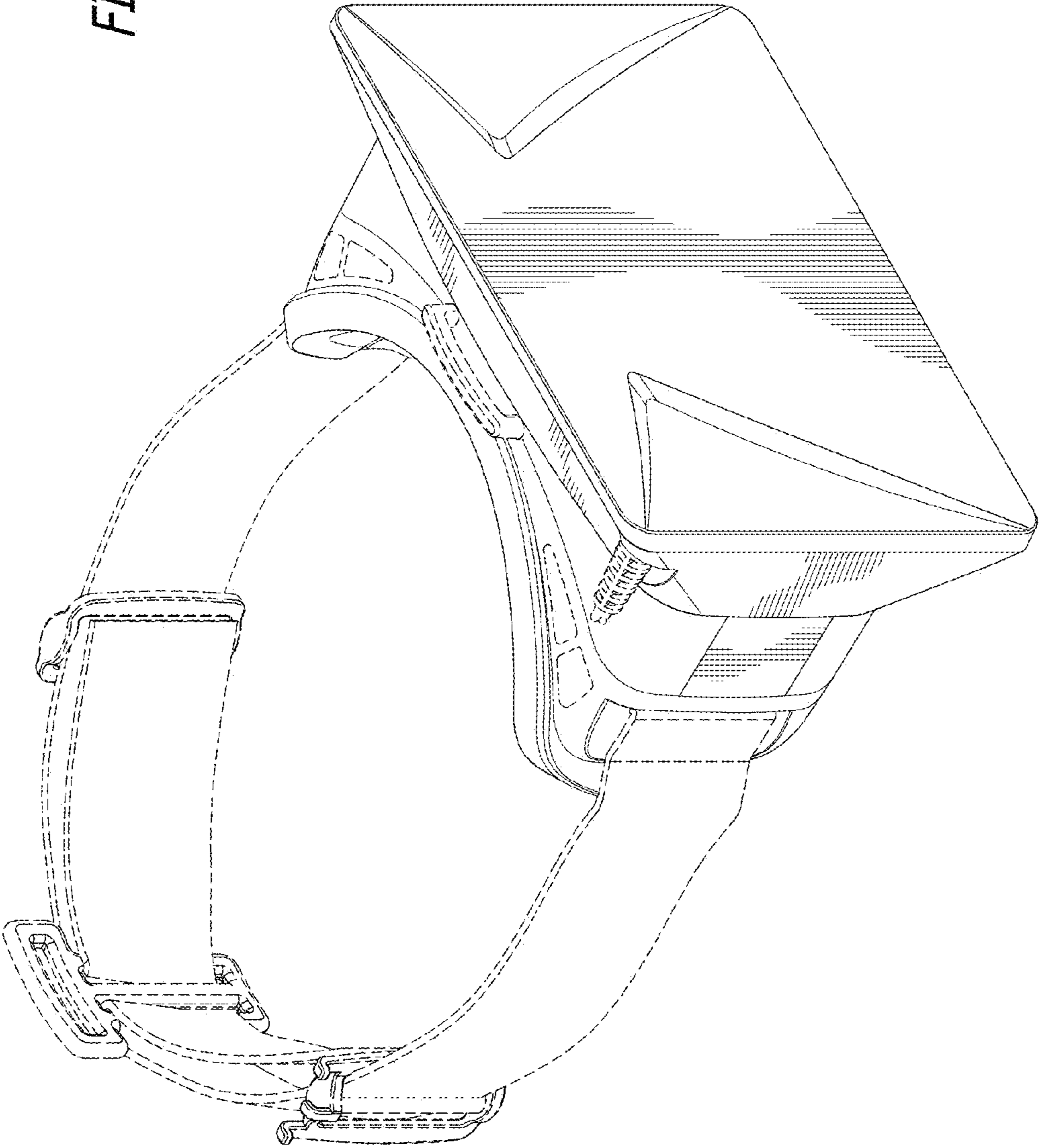
References Cited

U.S. PATENT DOCUMENTS

7,124,425	B1 *	10/2006	Anderson et al.	725/68	8,553,935	B2	10/2013	Mandella et al.	
7,729,515	B2	6/2010	Mandella et al.		D701,206	S *	3/2014	Luckey et al.	D14/372
7,826,641	B2	11/2010	Mandella et al.		D704,704	S *	5/2014	Tatara et al.	D14/372
7,961,909	B2	6/2011	Mandella et al.		D704,706	S *	5/2014	Serota	D14/372
D645,862	S *	9/2011	Paul	D14/372	D709,880	S *	7/2014	Kim et al.	D14/372
D687,434	S *	8/2013	Serota	D14/372	D719,953	S *	12/2014	Nokuo et al.	D14/372
8,542,219	B2	9/2013	Carl et al.		D722,054	S *	2/2015	Serota	D14/372
					2012/0038549	A1	2/2012	Mandella et al.	
					2013/0194418	A1	8/2013	Gonzalez-Banos et al.	
					2013/0237146	A1 *	9/2013	Serota	455/12.1

* cited by examiner

FIG. 1



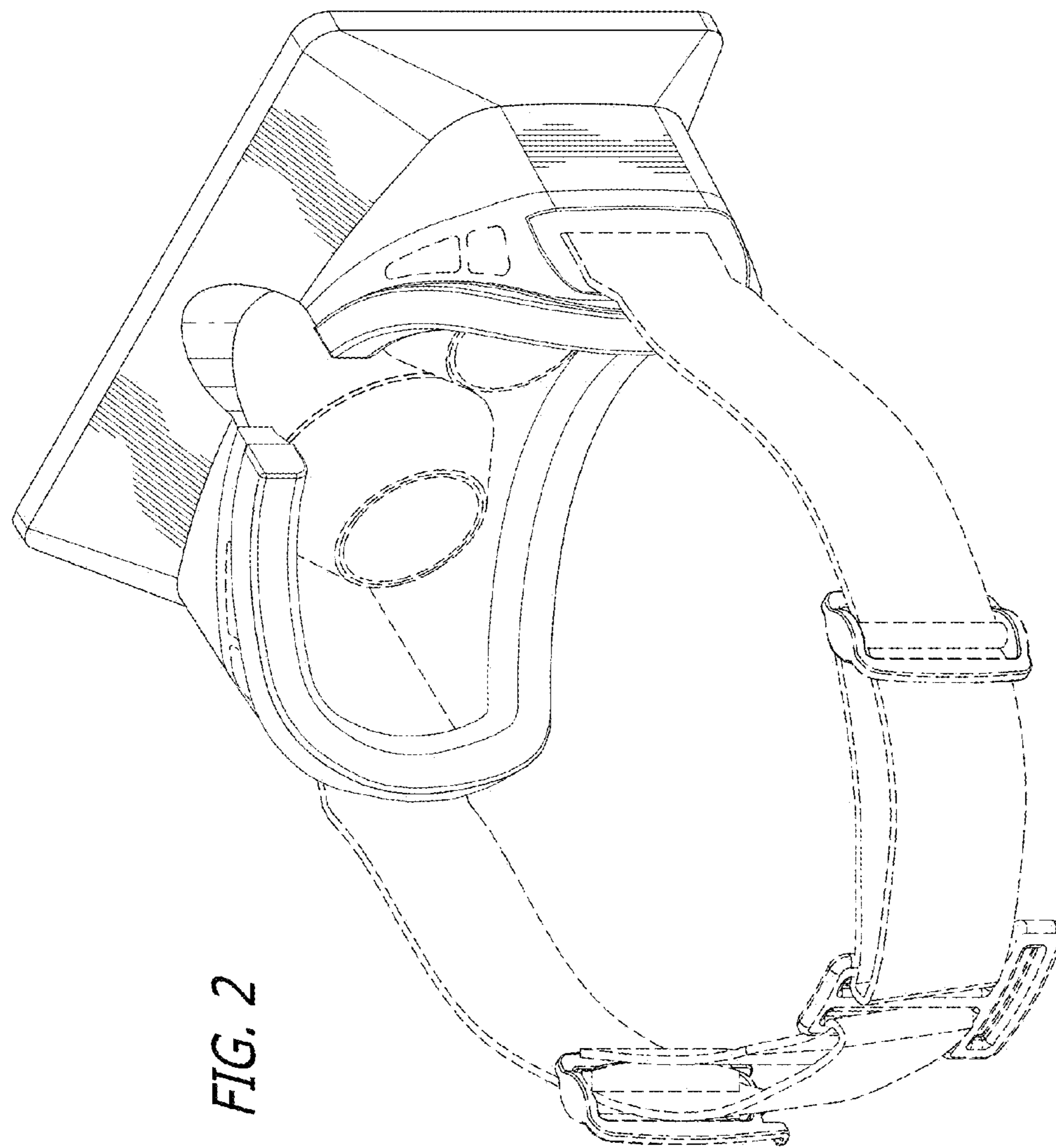


FIG. 2

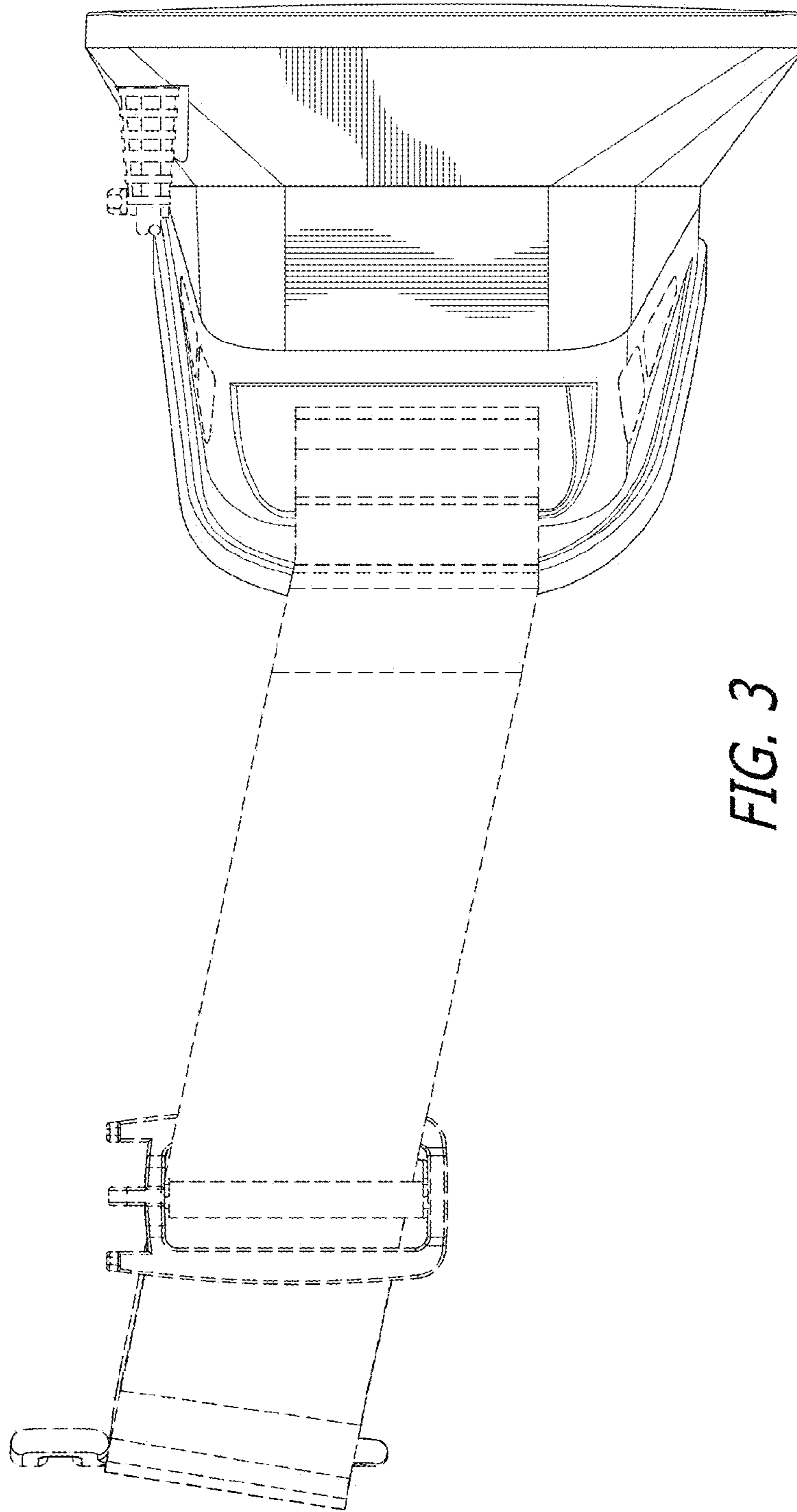


FIG. 3

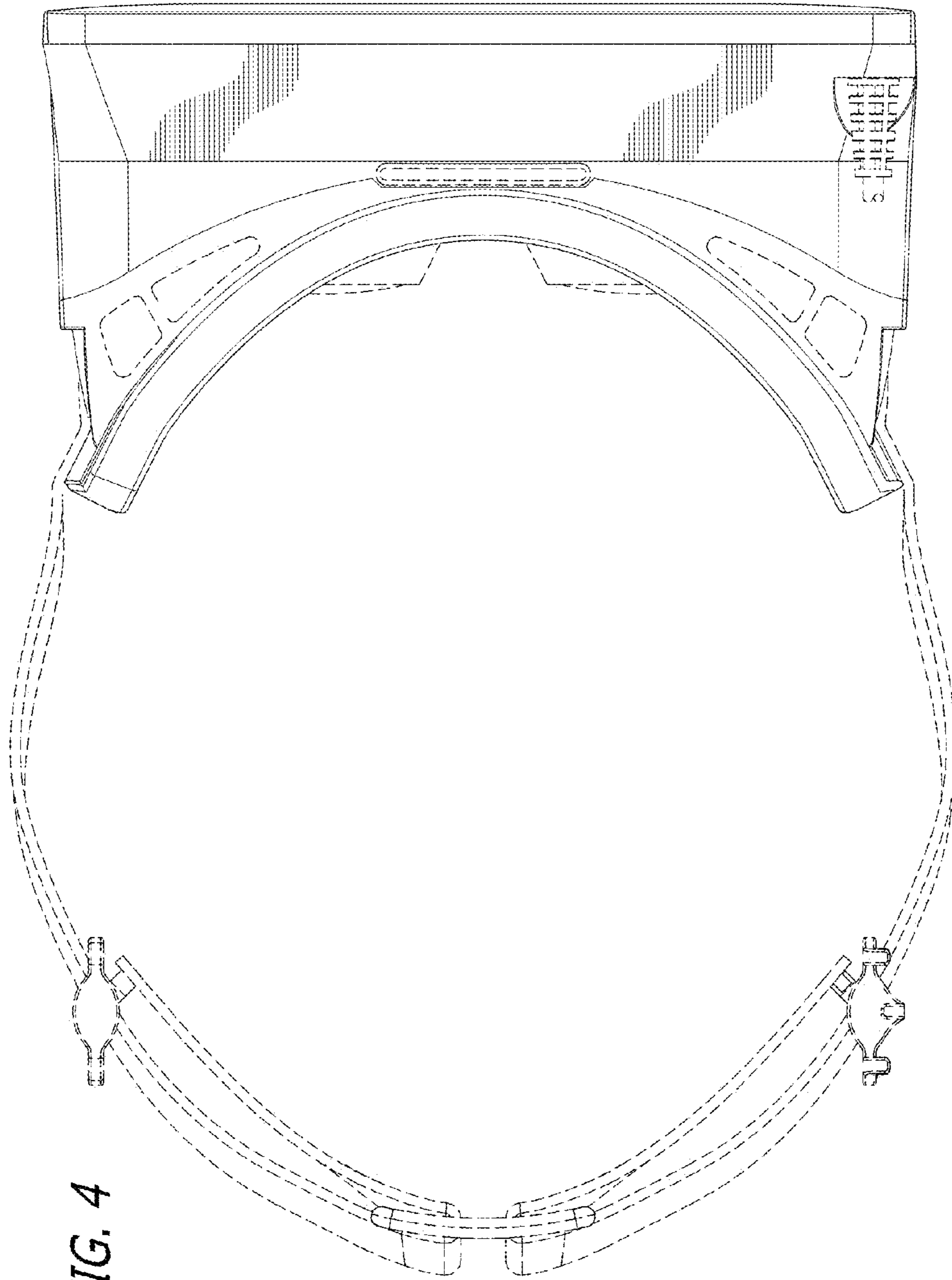


FIG. 4

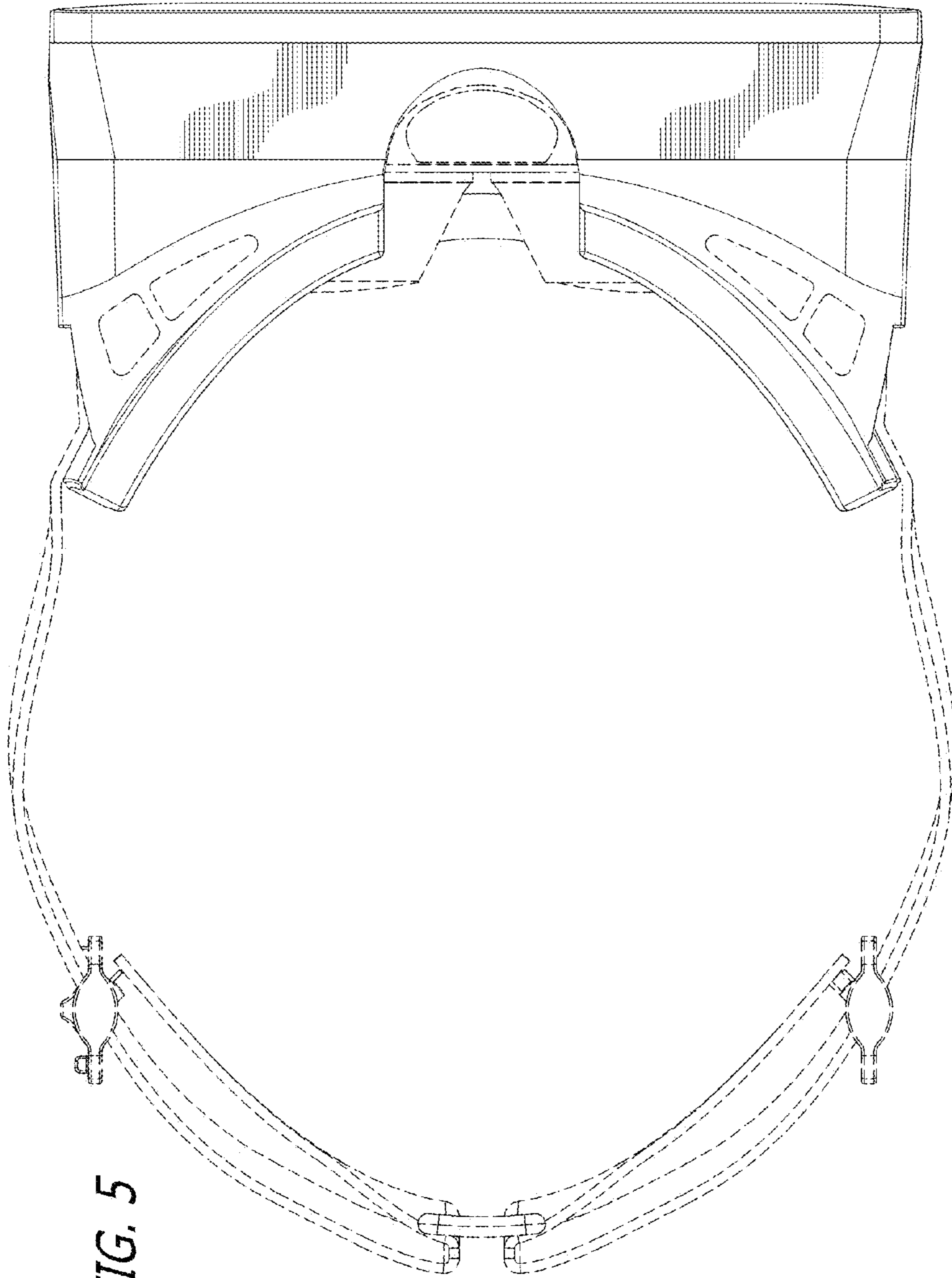


FIG. 5

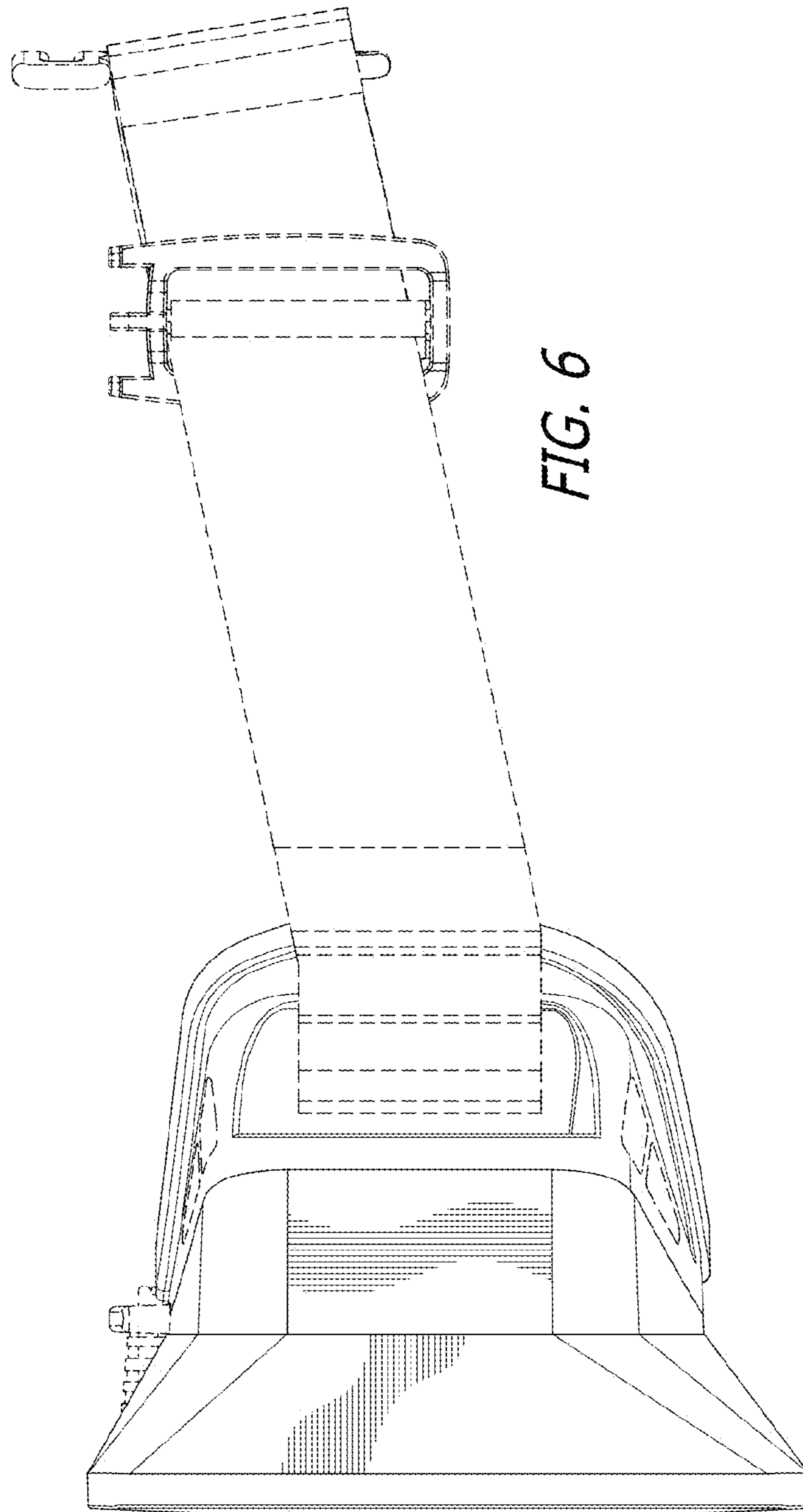


FIG. 7

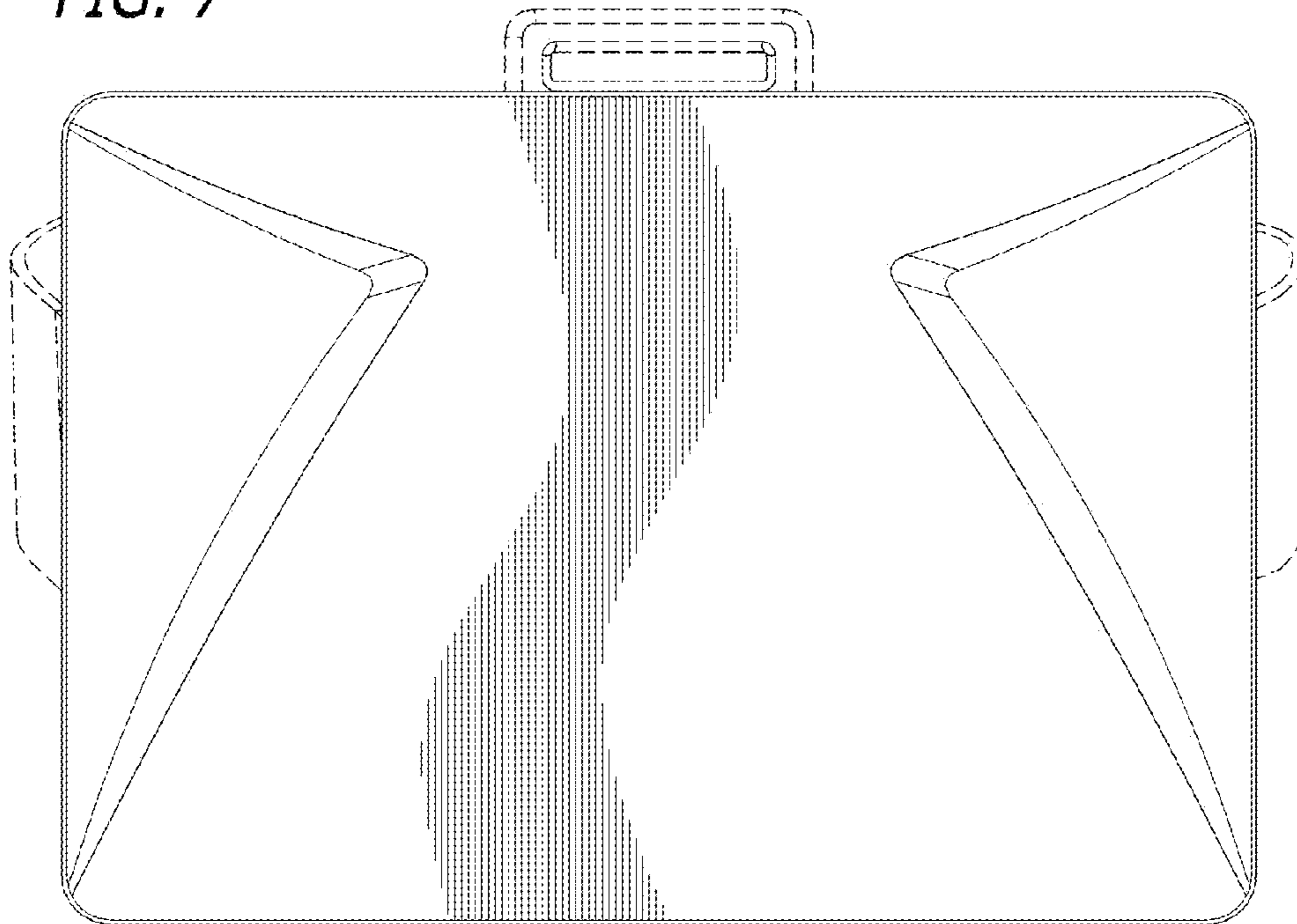


FIG. 8

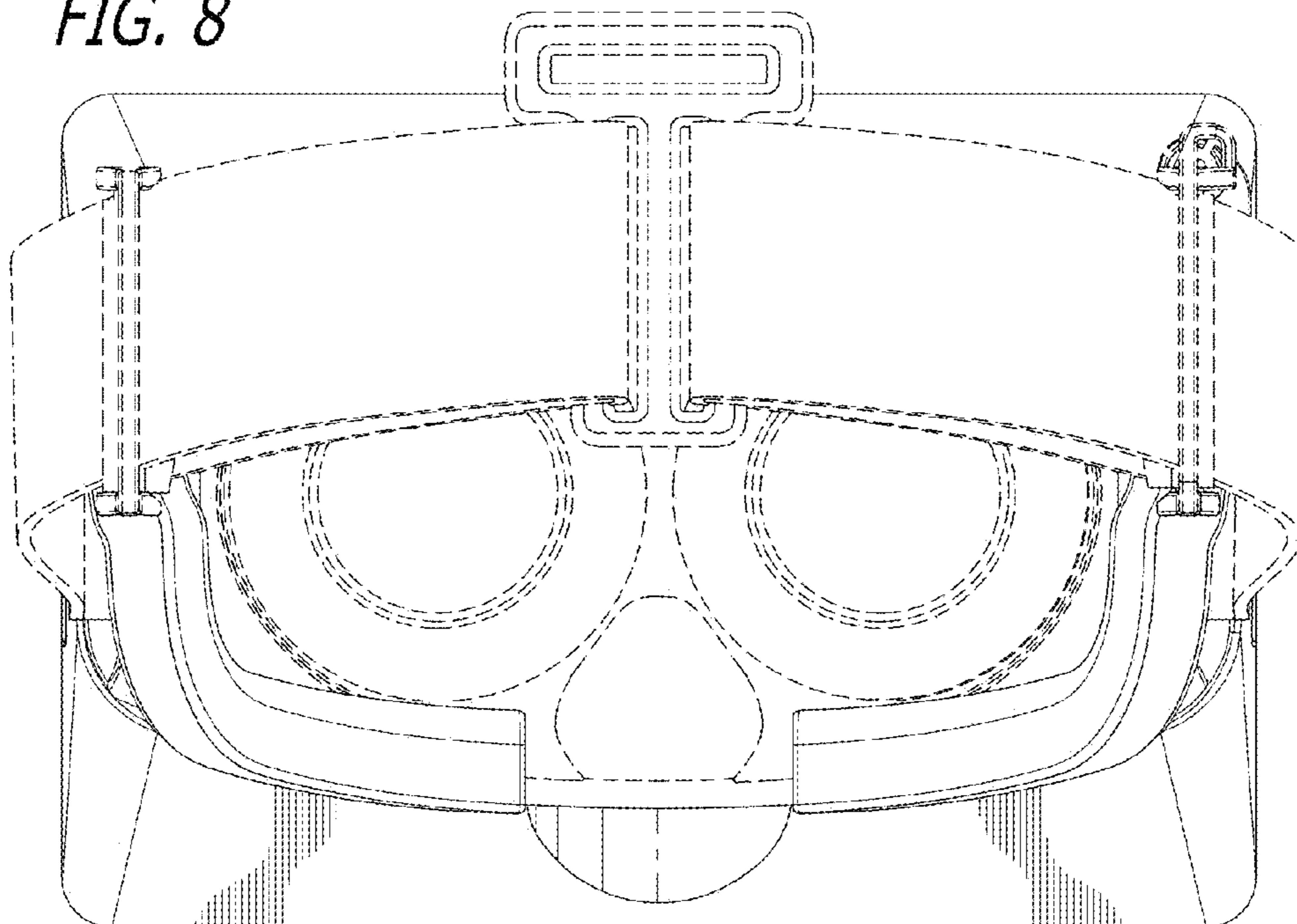
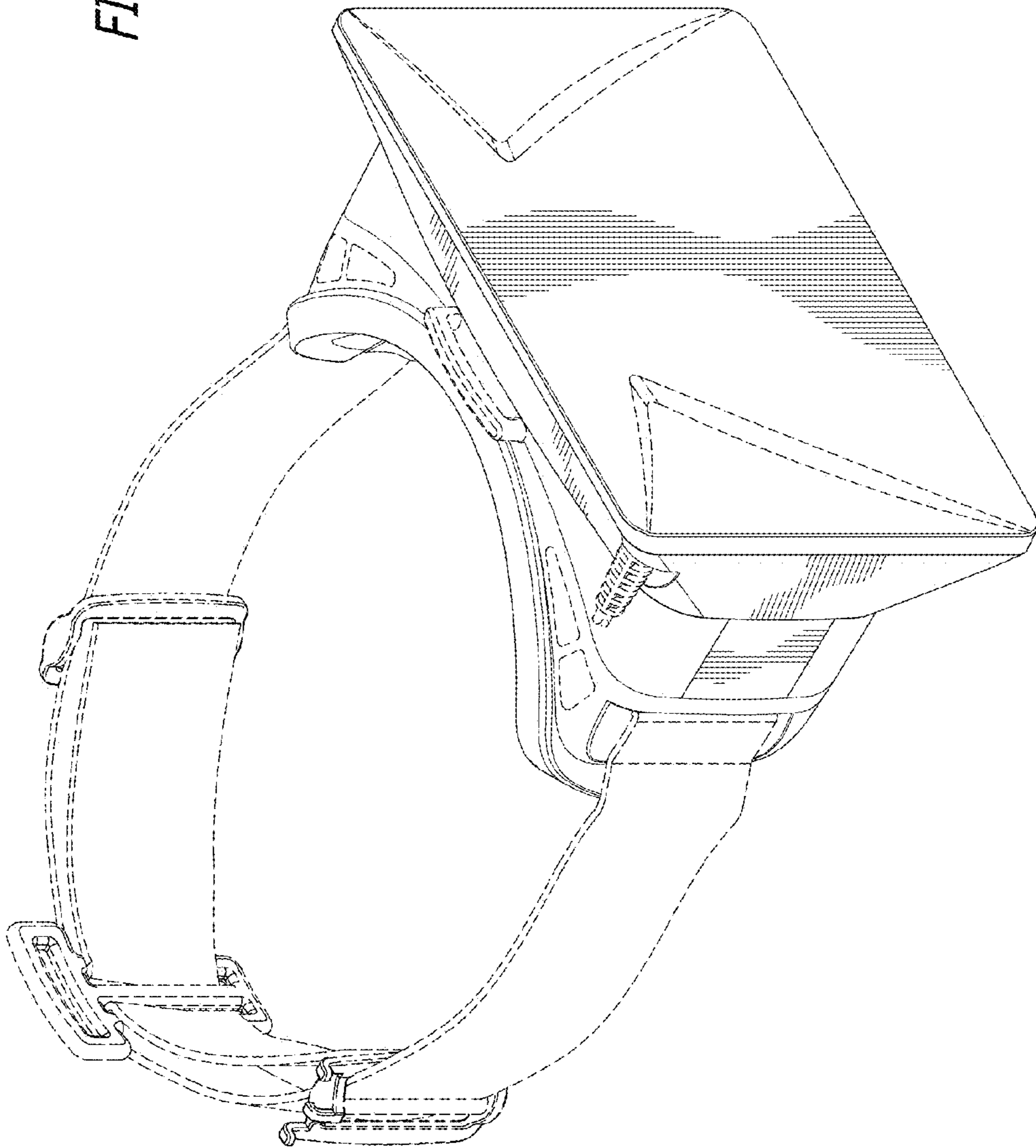


FIG. 9



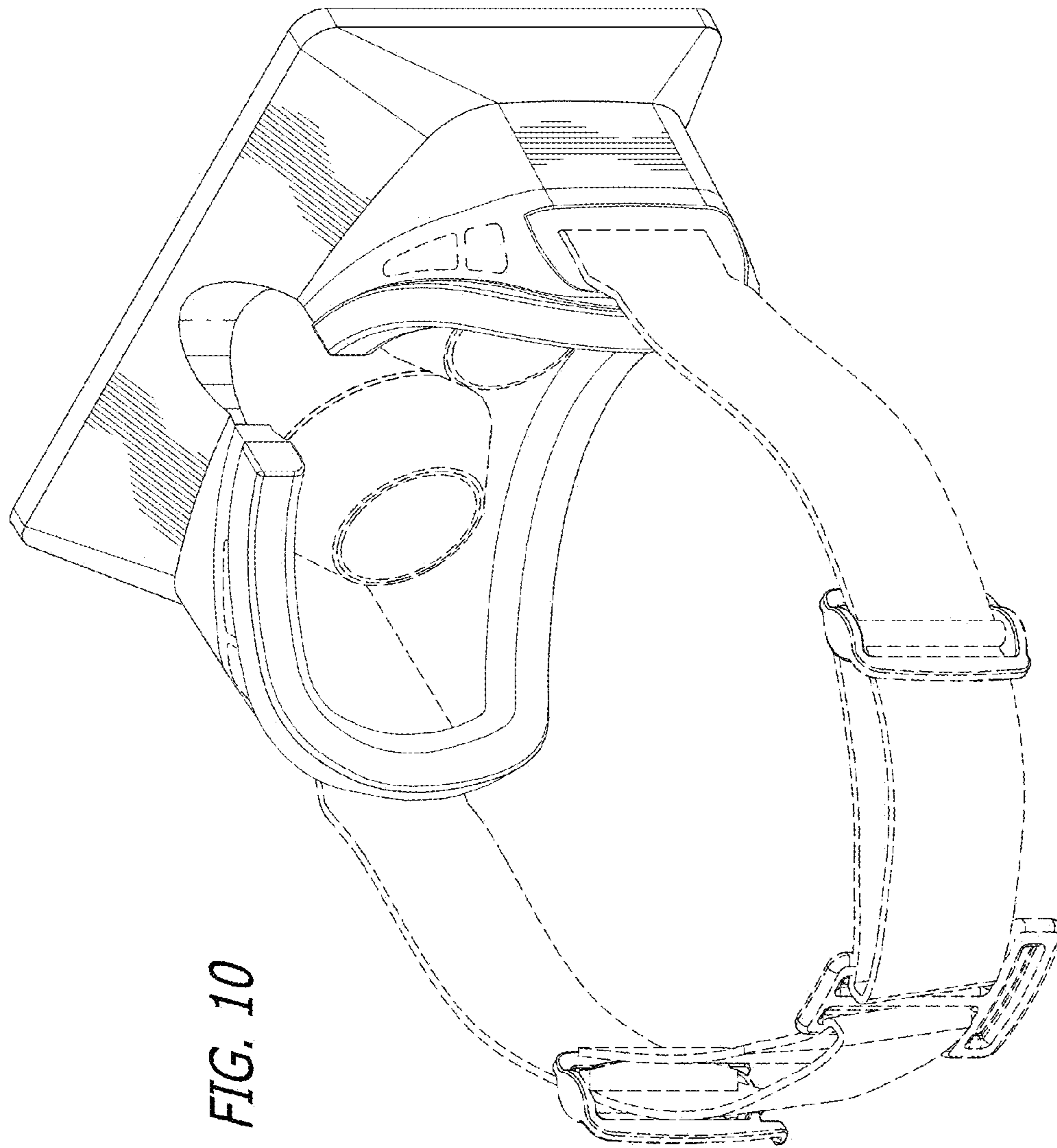


FIG. 10

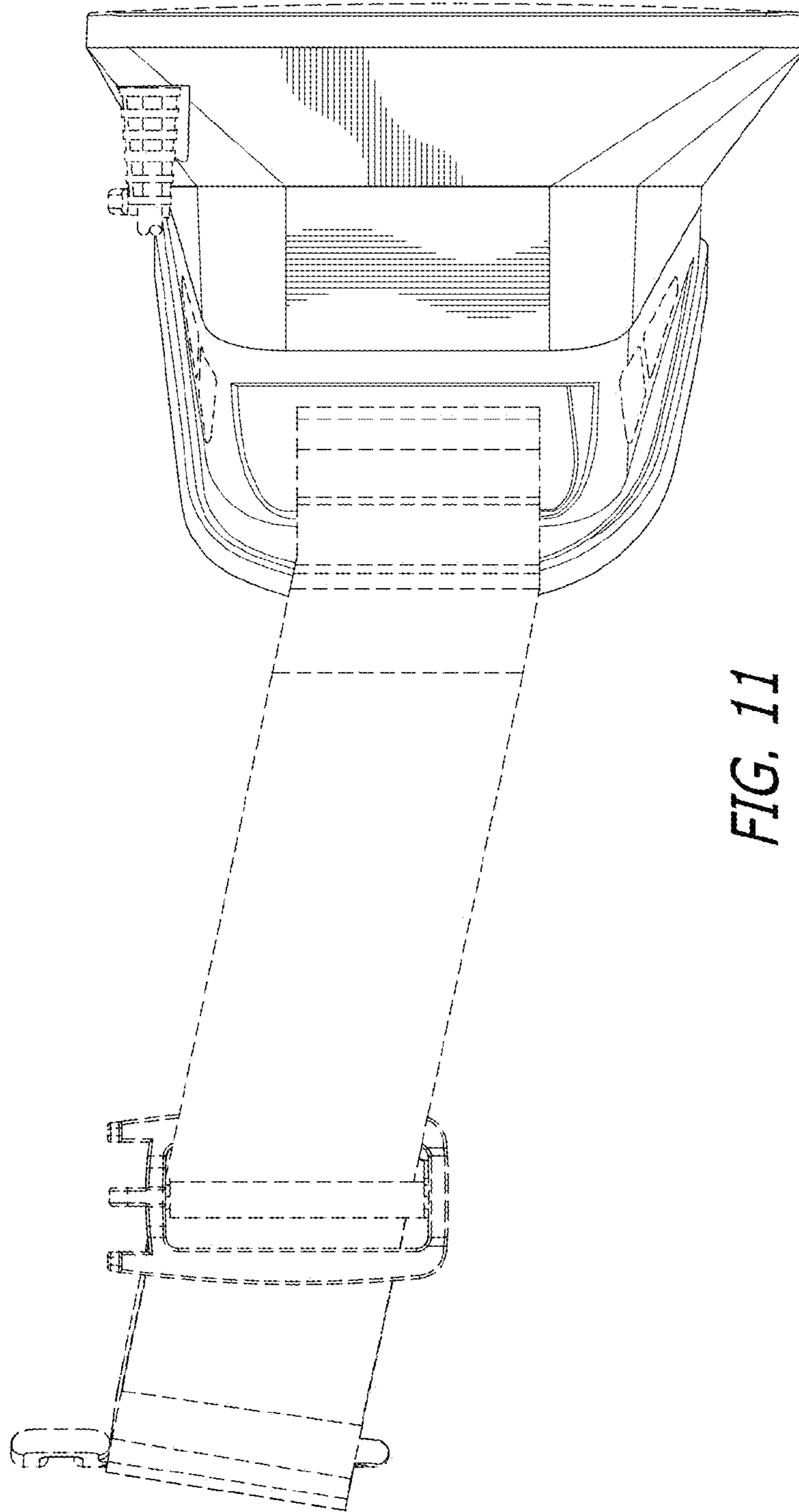


FIG. 11

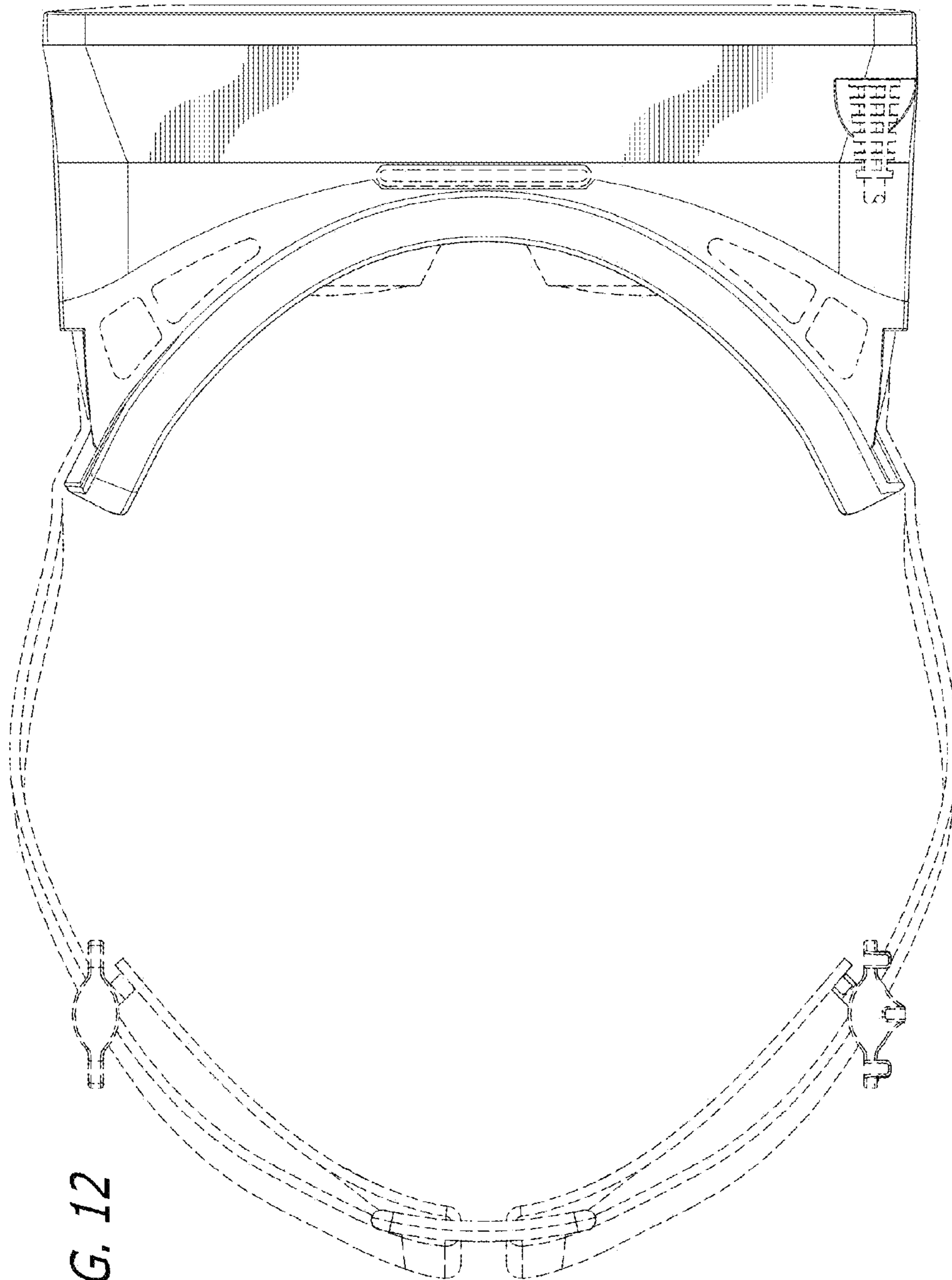


FIG. 12

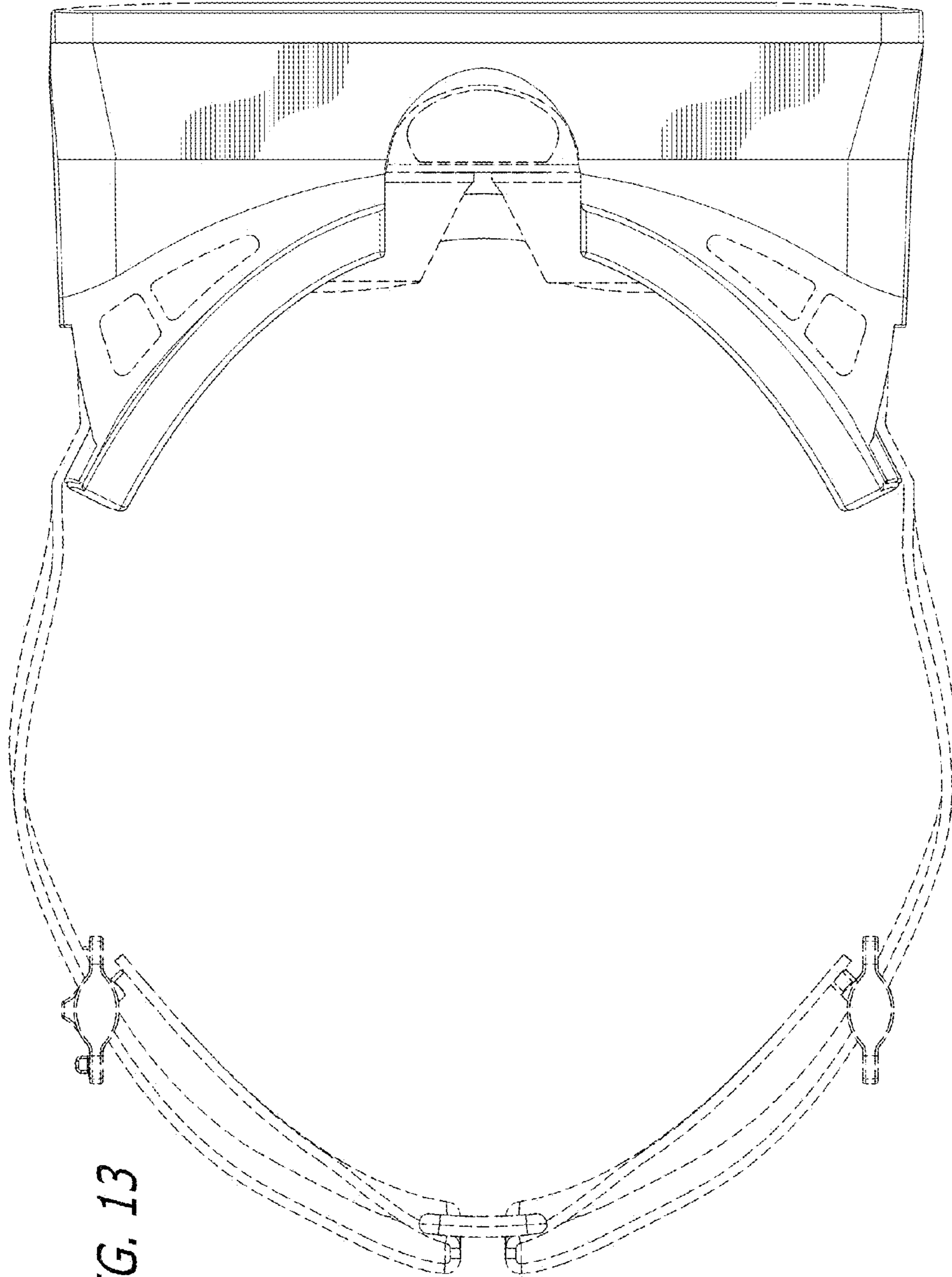


FIG. 13

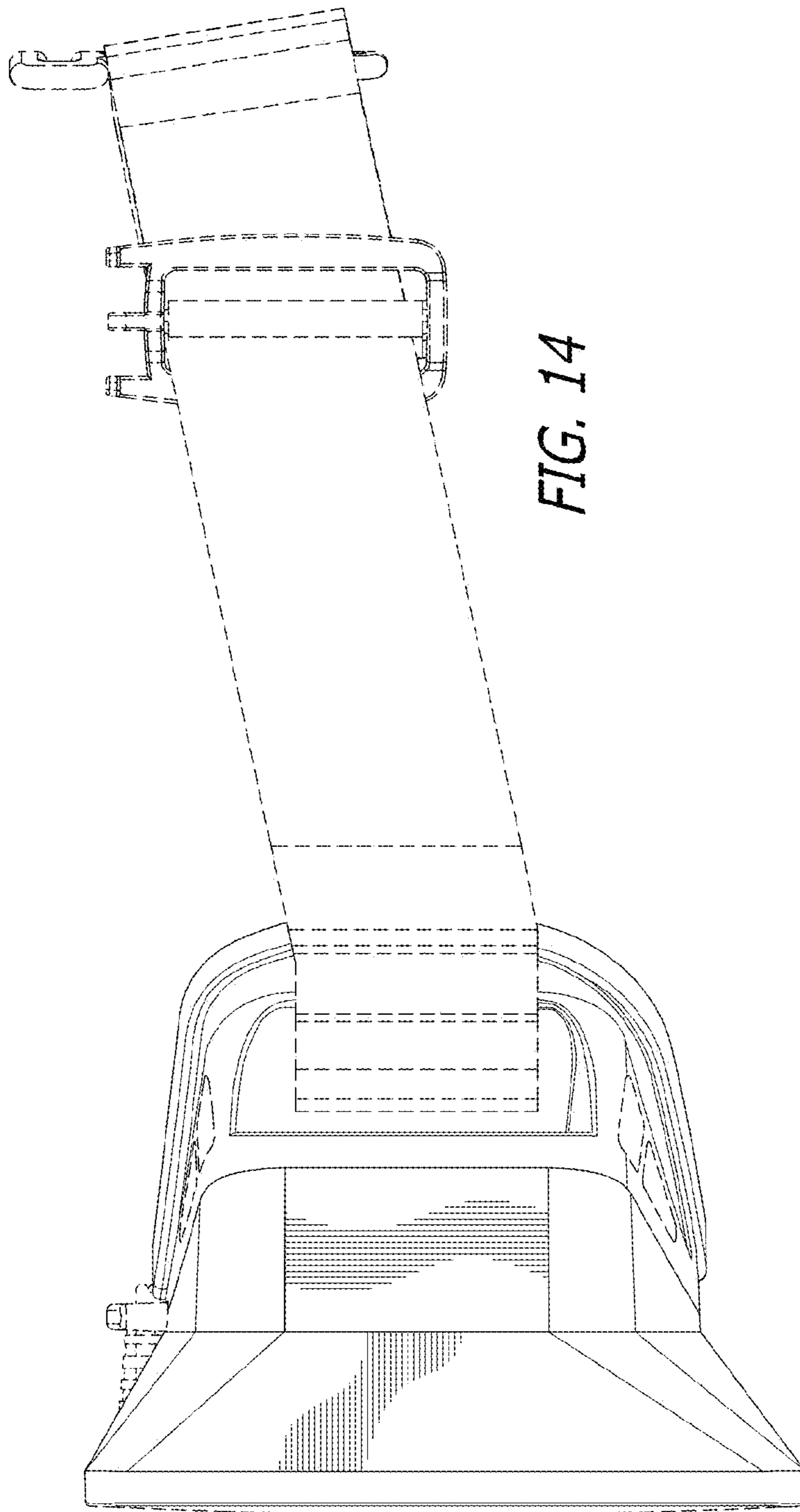


FIG. 15

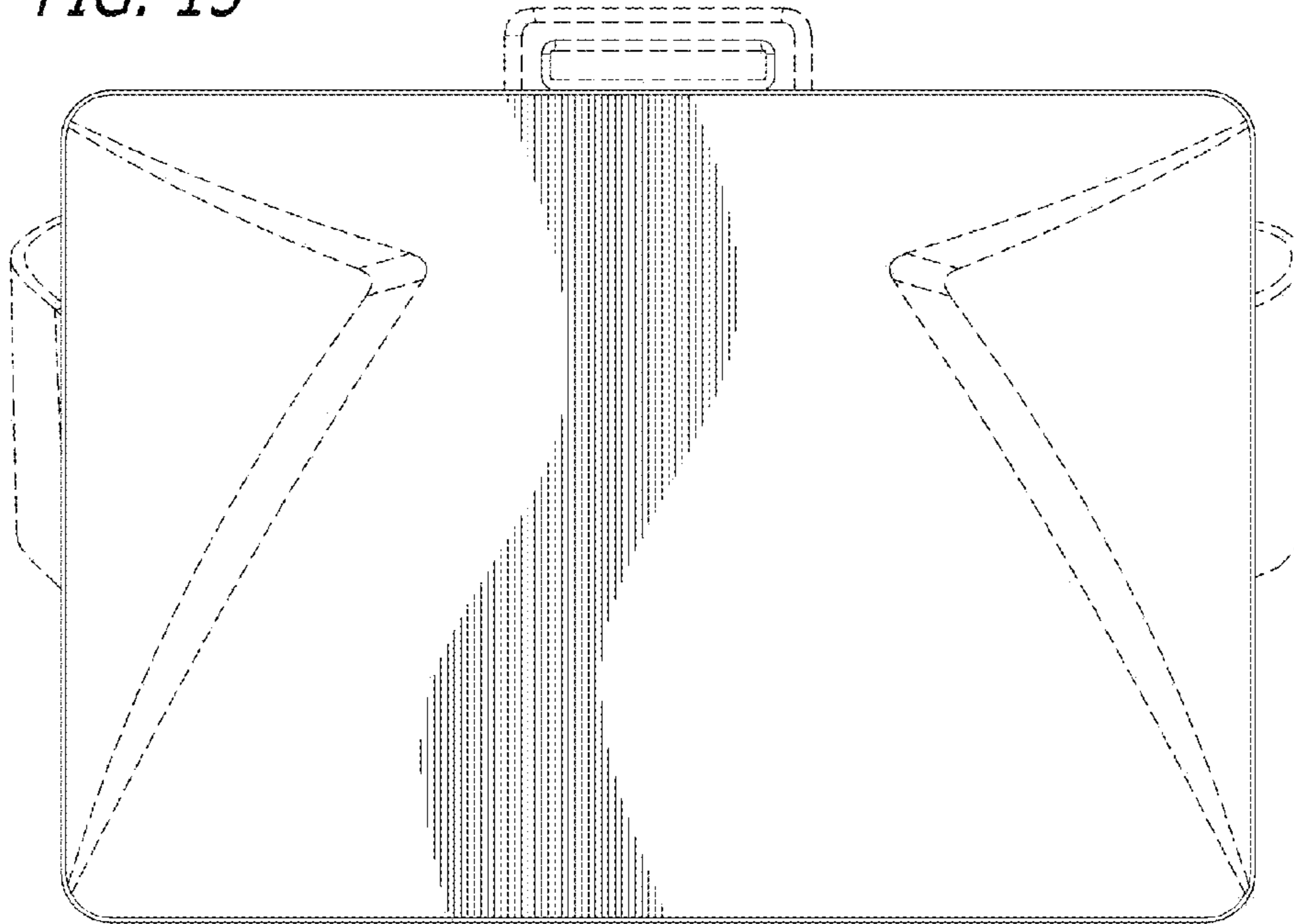


FIG. 16

