



US00D738373S

(12) **United States Design Patent**
Davies et al.

(10) **Patent No.:** **US D738,373 S**
(45) **Date of Patent:** **** Sep. 8, 2015**

- (54) **EYEWEAR VIEWING DEVICE**
- (71) Applicant: **Kopin Corporation**, Westborough, MA (US)
- (72) Inventors: **Thomas Richard Davies**, London (GB);
Kenny W.Y. Chow, North Point (HK);
Kenneth A. Kokinakis, Naples, FL (US)
- (73) Assignee: **Kopin Corporation**, Westborough, MA (US)

D716,808 S * 11/2014 Yeom et al. D14/372
 D718,305 S * 11/2014 Olsson et al. D14/372
 D719,568 S * 12/2014 Heinrich et al. D14/372

(Continued)

FOREIGN PATENT DOCUMENTS

DE 202012003317 U1 8/2012
 JP D1470899 6/2013

(Continued)

OTHER PUBLICATIONS

International Search Report and Written Opinion issued in International Application No. PCT/US2013/074017, "Specticle With Invisible Optics," Date of Mailing Mar. 27, 2014.

(Continued)

Primary Examiner — Austin Murphy

(74) *Attorney, Agent, or Firm* — Hamilton, Brook, Smith & Reynolds, P.C.

- (**) Term: **14 Years**
- (21) Appl. No.: **29/462,871**
- (22) Filed: **Aug. 9, 2013**
- (51) **LOC (10) Cl.** **14-02**
- (52) **U.S. Cl.**
USPC **D14/372**
- (58) **Field of Classification Search**
USPC D14/372, 496, 432, 371, 125, 126, 129,
D14/299; D16/300-342; 351/158, 153, 144;
345/7-9, 905; 455/344; 348/115, 53,
348/121, 739
CPC G02B 27/017; G02B 27/0158; G02B
27/0161; G02B 27/0181; G02B 27/0185;
G02B 27/0189
See application file for complete search history.

CLAIM

(57) The ornamental design for an eyewear viewing device, as shown and described.

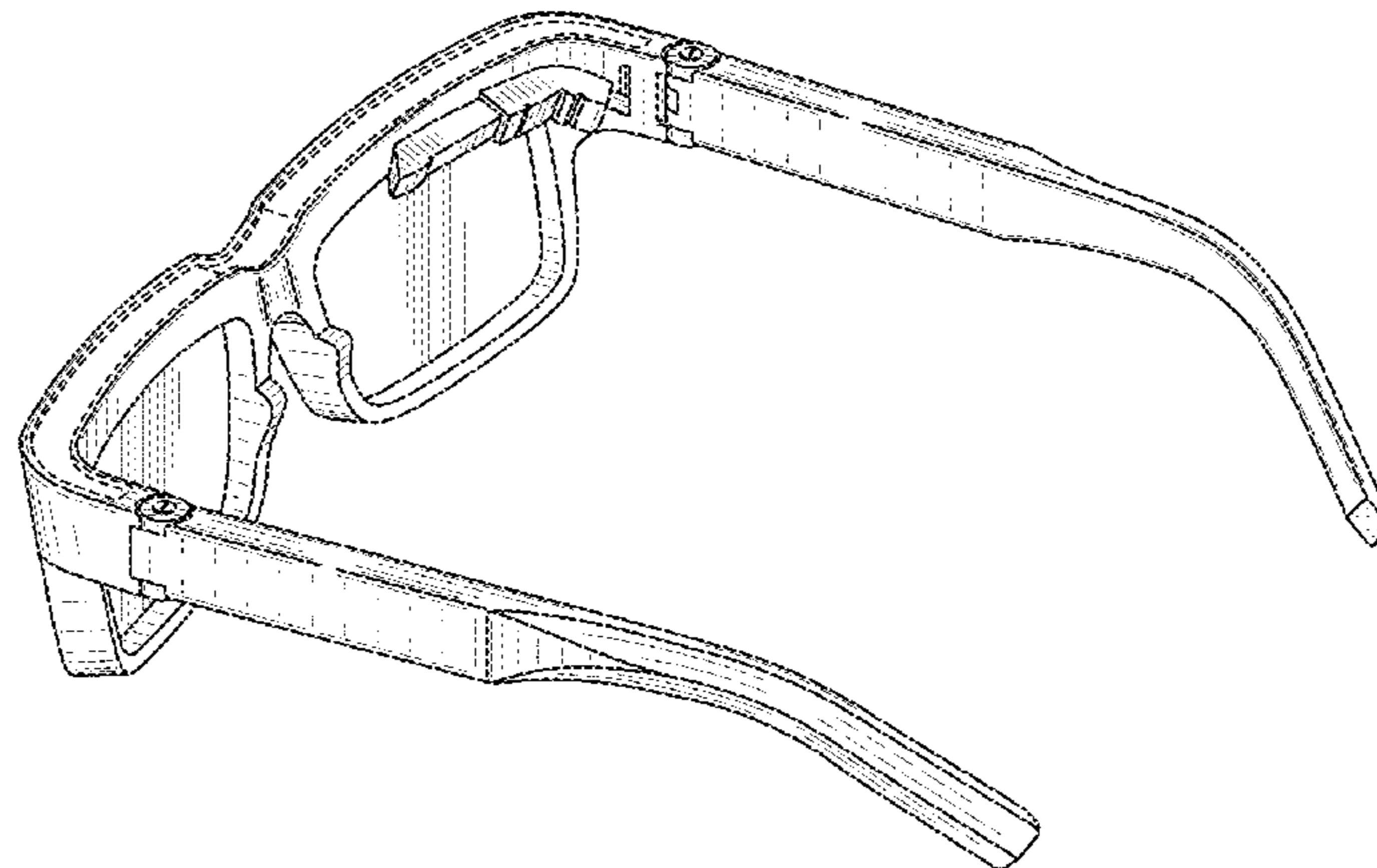
DESCRIPTION

FIG. 1 is a front perspective view of eyewear viewing device in the present invention.
 FIG. 2 is a rear perspective view thereof.
 FIG. 3 is a front view thereof.
 FIG. 4 is a rear view thereof.
 FIG. 5 is a top view thereof.
 FIG. 6 is a bottom view thereof.
 FIG. 7 is a left side view thereof; and,
 FIG. 8 is a right side view thereof.
 The eyewear viewing device in the present invention can be worn by a user as eyewear or glasses, and images generated by the eyewear viewing device can be viewed.

1 Claim, 3 Drawing Sheets

(56) **References Cited**
U.S. PATENT DOCUMENTS

4,986,649	A	1/1991	Smith	
5,892,564	A	4/1999	Rahn	
D432,508	S	10/2000	Park et al.	
D628,616	S	12/2010	Yuan	
D671,590	S	* 11/2012	Klinar et al.	D16/309
D680,152	S	* 4/2013	Olsson et al.	D16/309
D687,087	S	* 7/2013	Iurilli	D16/326
8,542,326	B2	* 9/2013	MacNaughton et al.	349/15
D694,311	S	* 11/2013	Cho et al.	D16/309
D710,928	S	* 8/2014	Heinrich et al.	D16/300



(56)

References Cited

U.S. PATENT DOCUMENTS

D719,569 S * 12/2014 Heinrich et al. D14/372
D719,570 S * 12/2014 Heinrich et al. D14/372
D719,952 S * 12/2014 Kim et al. D14/372
D724,082 S * 3/2015 Olsson et al. D14/372
D724,083 S * 3/2015 Olsson et al. D14/372
D727,317 S * 4/2015 Olsson et al. D14/372
2003/0090439 A1 5/2003 Spitzer et al.
2005/0237271 A1* 10/2005 Yamamoto 345/8
2010/0110368 A1 5/2010 Chaum
2010/0245757 A1 9/2010 Sugihara et al.
2010/0253904 A1 10/2010 Jannard

2012/0013843 A1 1/2012 Jannard
2012/0105740 A1 5/2012 Jannard et al.
2013/0044042 A1* 2/2013 Olsson et al. 345/8

FOREIGN PATENT DOCUMENTS

TW D132974 1/2010
TW D138236 12/2010

OTHER PUBLICATIONS

Search Report for TW Application No. 103300582 dated Oct. 6, 2014.

* cited by examiner

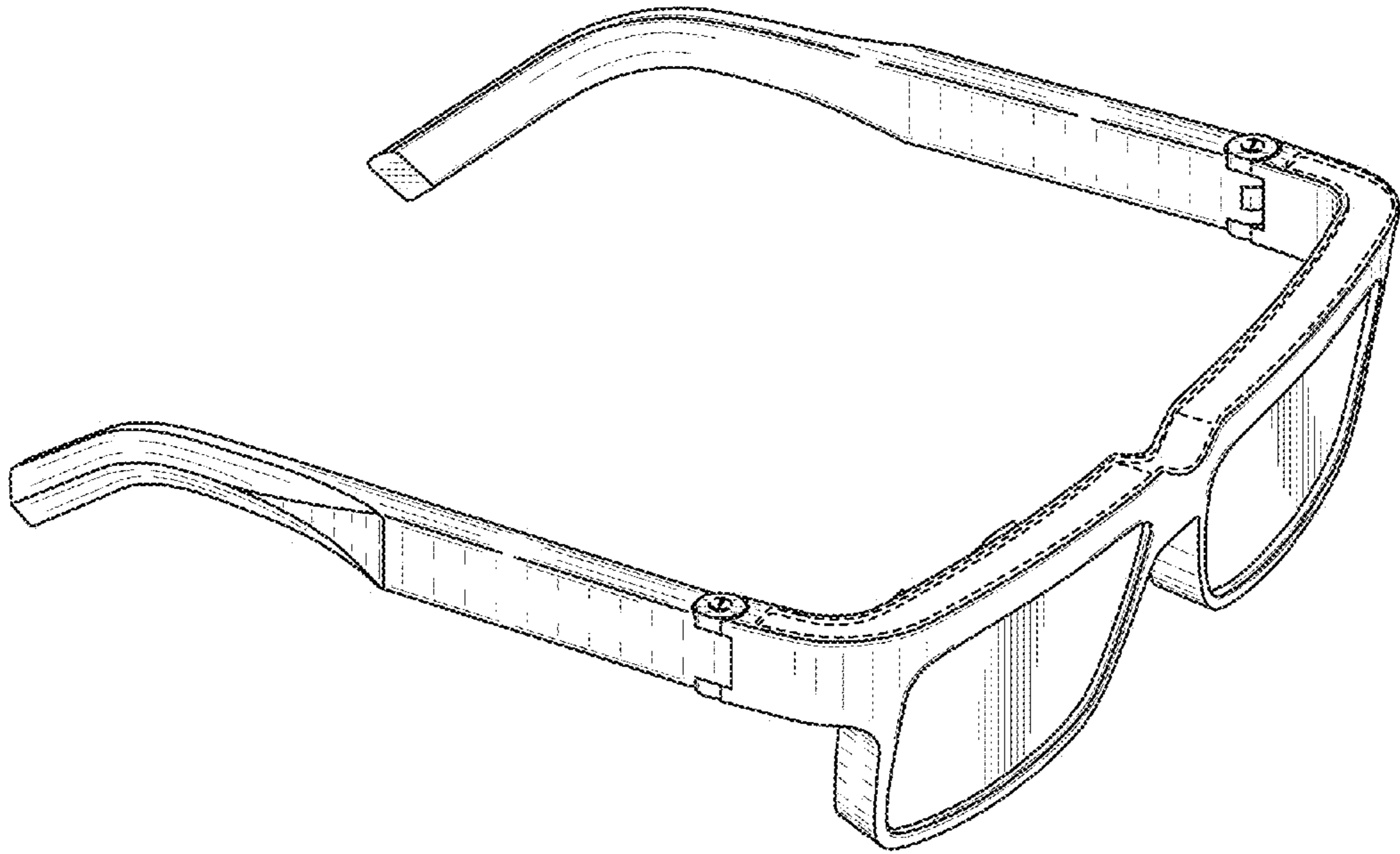


FIG. 1

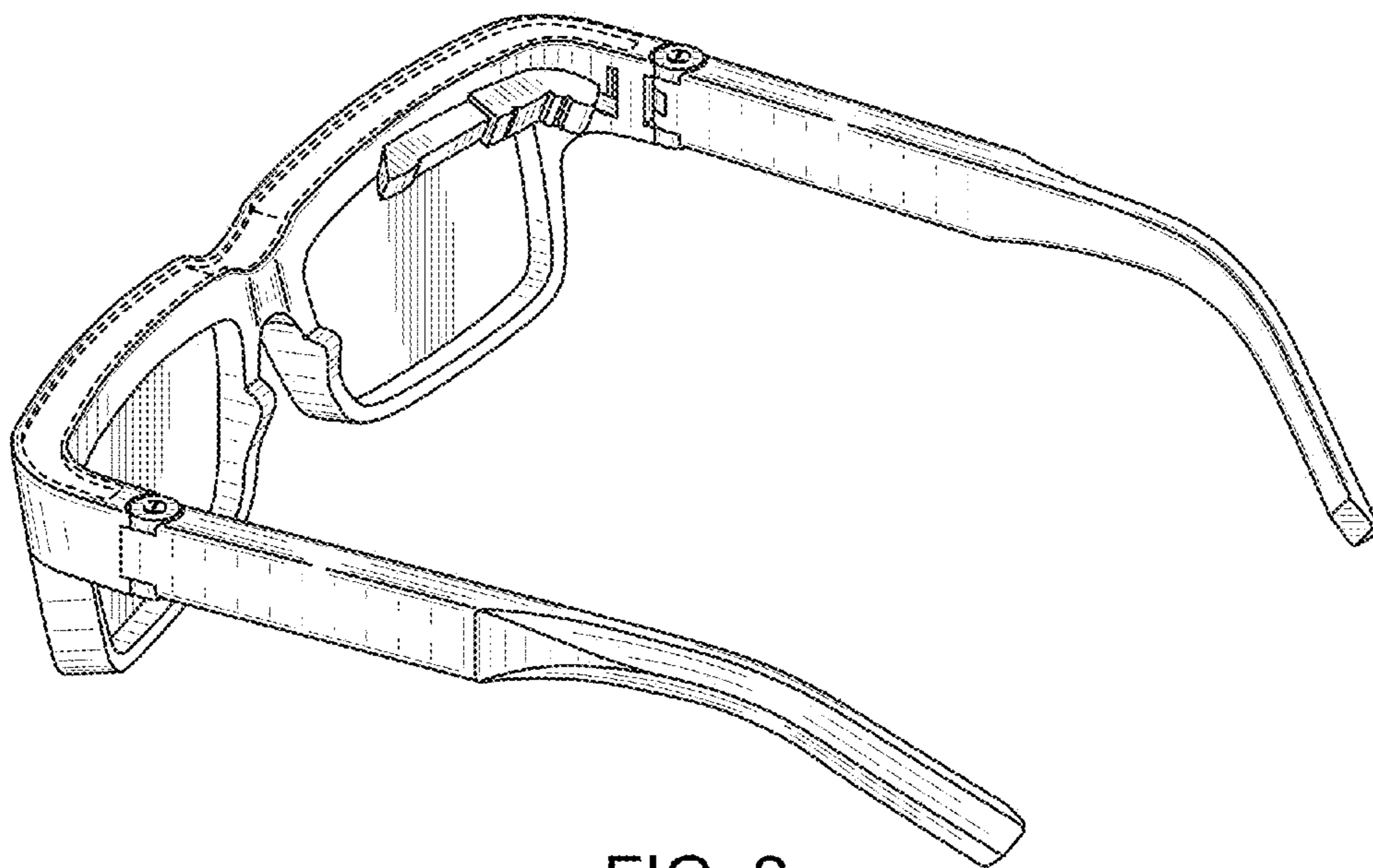


FIG. 2

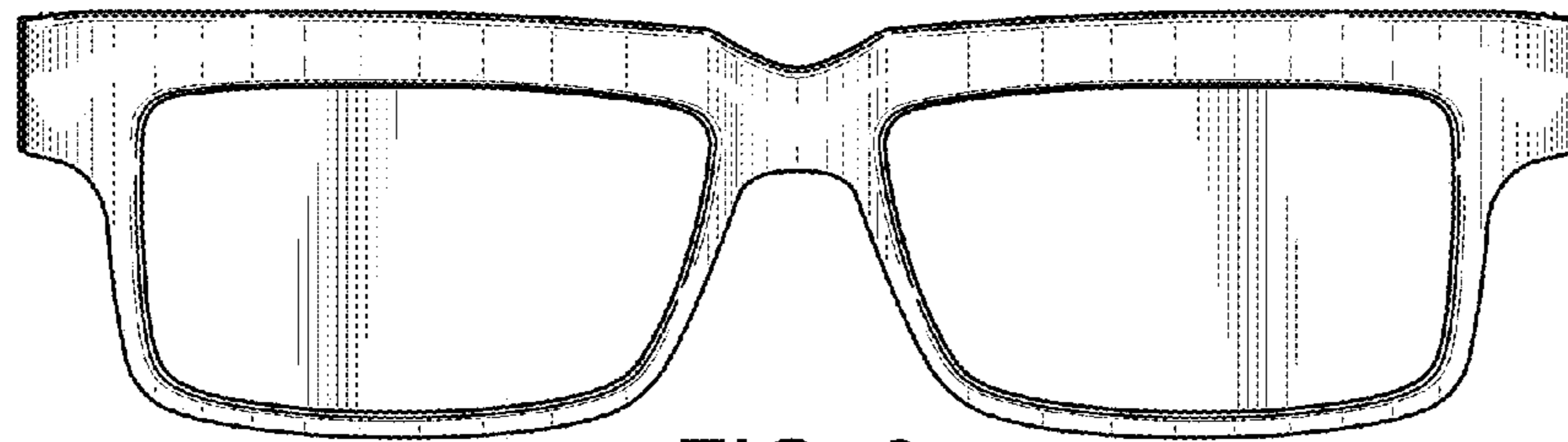


FIG. 3

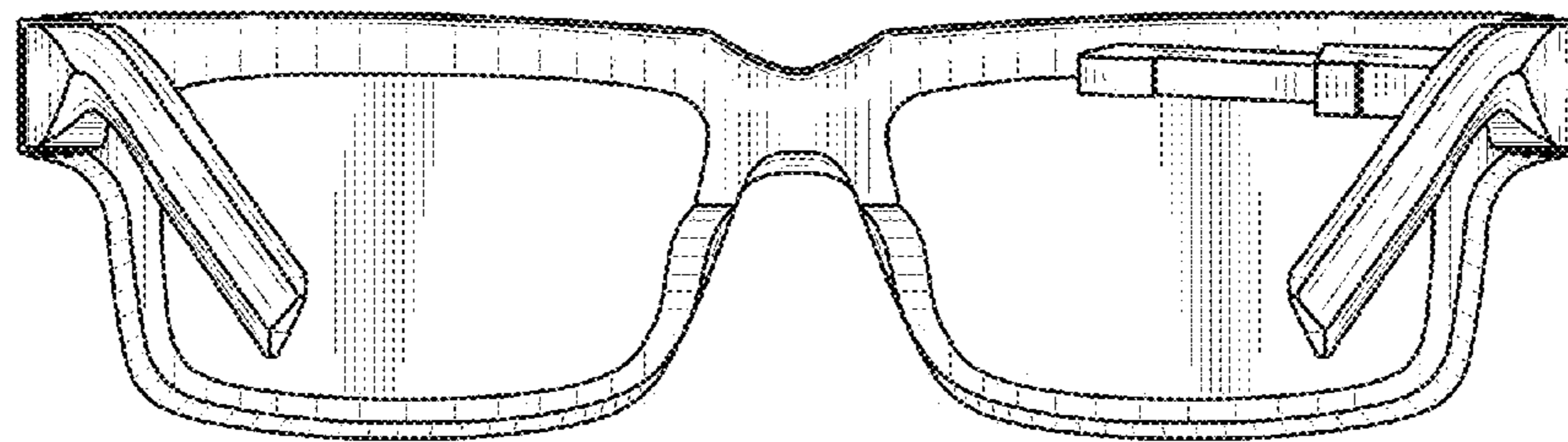


FIG. 4

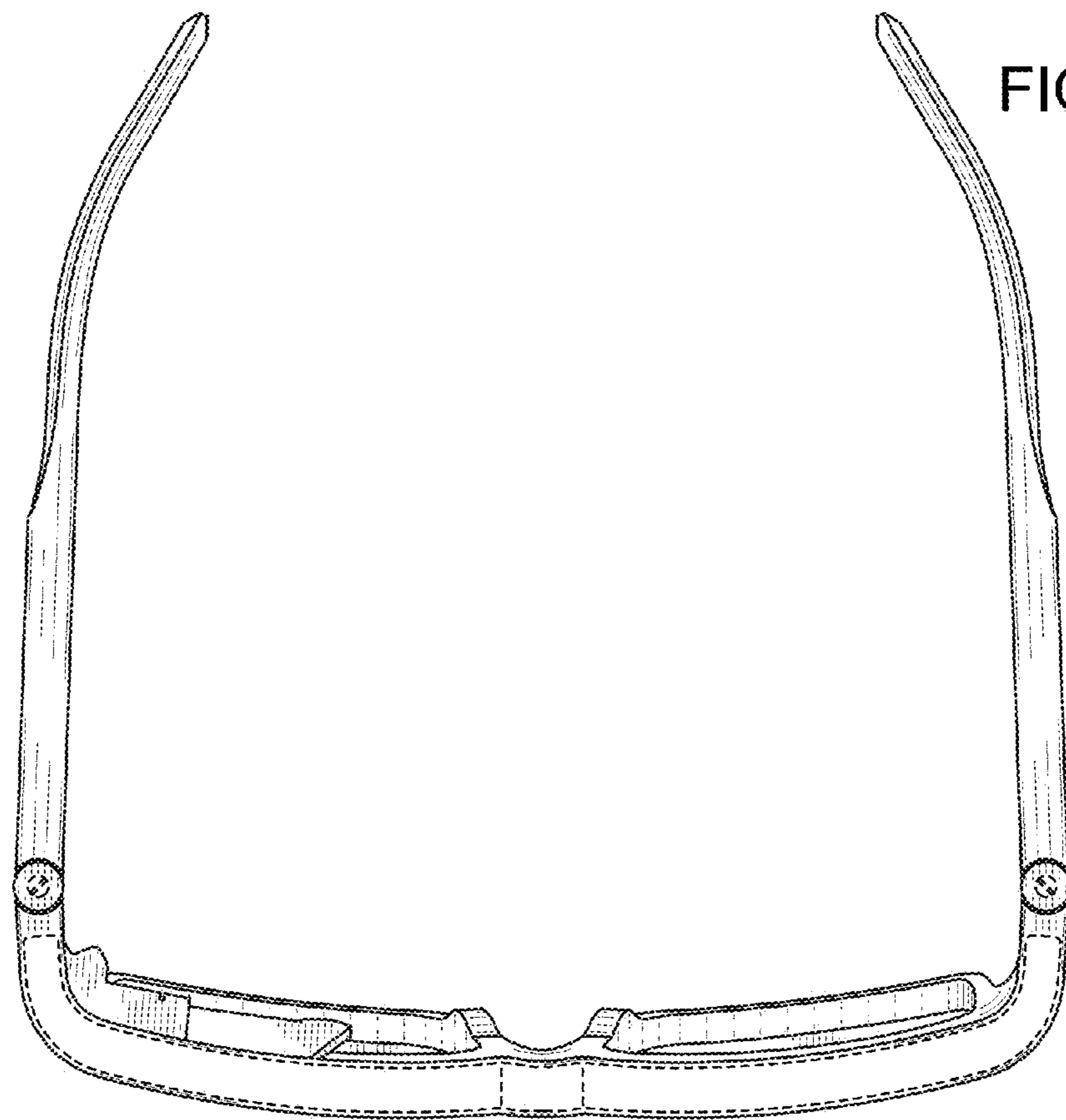


FIG. 5

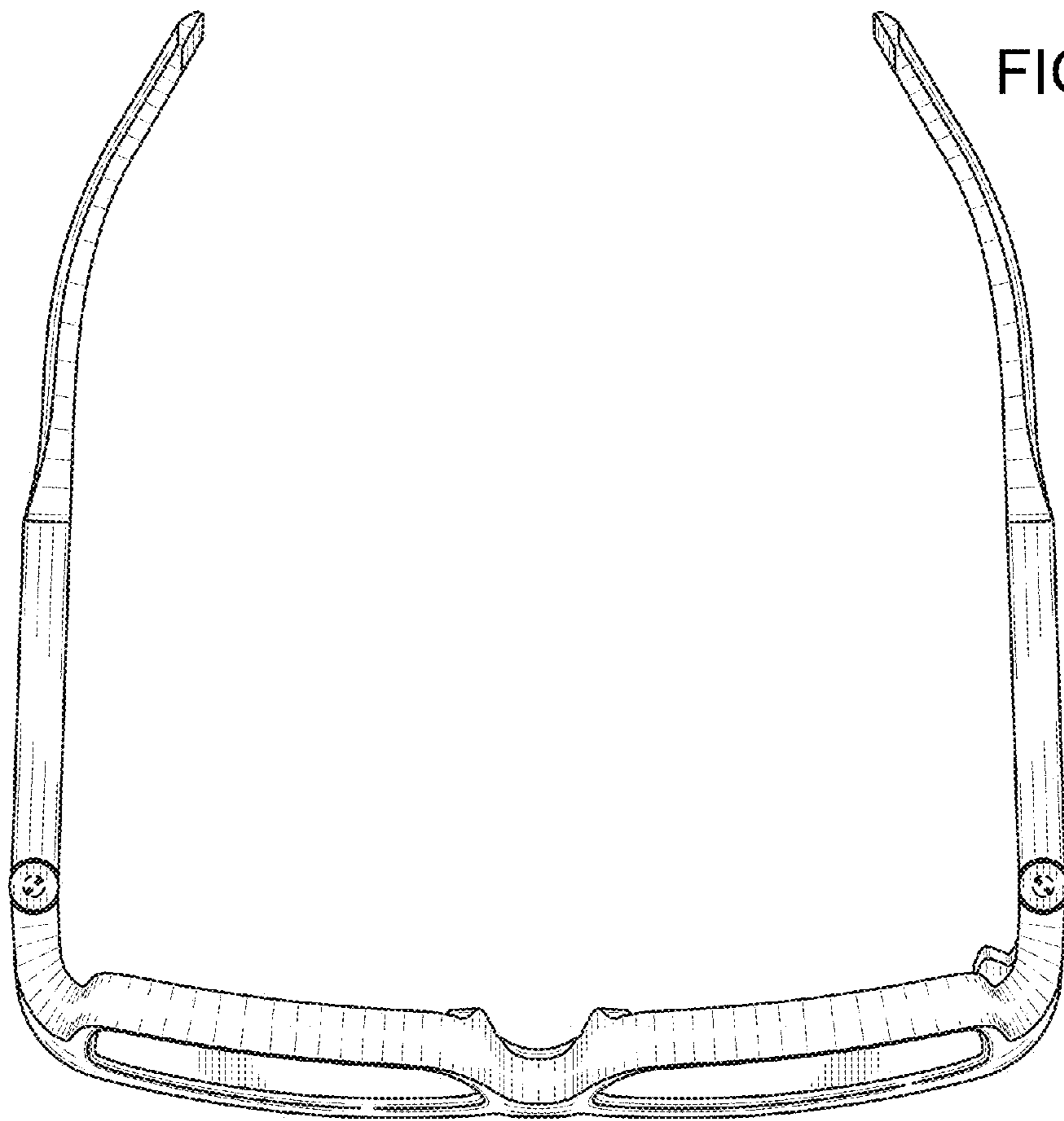


FIG. 6

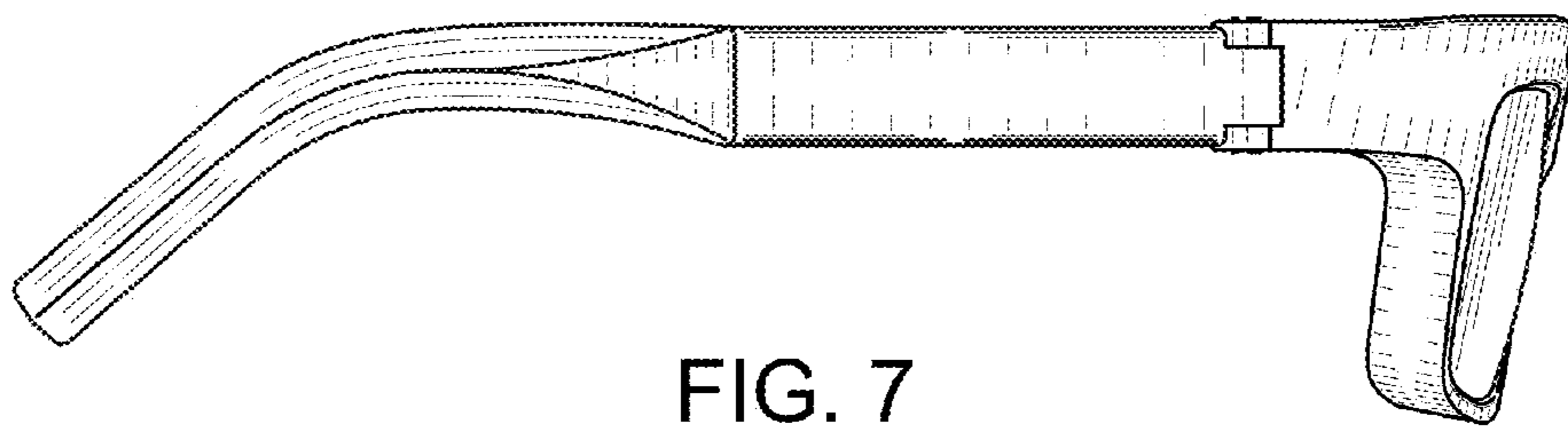


FIG. 7

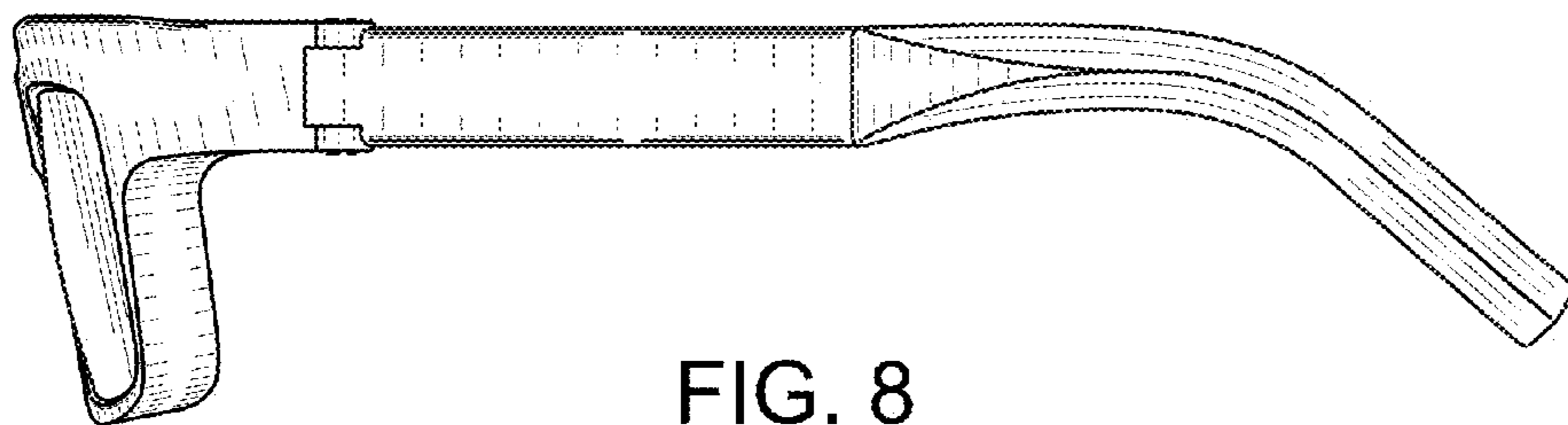


FIG. 8