



US00D738372S

(12) **United States Design Patent**
Song

(10) **Patent No.:** **US D738,372 S**
(45) **Date of Patent:** **** Sep. 8, 2015**

(54) **ELECTRONIC DEVICE**

(71) Applicant: **SAMSUNG ELECTRONICS CO., LTD.**, Suwon-si, Gyeonggi-do (KR)

(72) Inventor: **Junyong Song**, Sunghnam-si (KR)

(73) Assignee: **SAMSUNG ELECTRONICS CO., LTD.** (KR)

(**) Term: **14 Years**

(21) Appl. No.: **29/510,920**

(22) Filed: **Dec. 4, 2014**

Related U.S. Application Data

(62) Division of application No. 29/470,870, filed on Oct. 25, 2013.

(30) **Foreign Application Priority Data**

Aug. 30, 2013 (KR) 30-2013-0044696

(51) **LOC (10) Cl.** **14-02**

(52) **U.S. Cl.**
USPC **D14/344**; D10/32

(58) **Field of Classification Search**

USPC D14/140, 137, 138 R, 138 AB, 139, 155, D14/191, 192, 203.1, 203.3, 203.4, 203.5, D14/203.7, 248, 226, 218, 144, 240, 344, D14/440, 341, 346, 448, 450, 496; D10/30-39, 70, 65, 78, 104.1, 104.2, D10/125; D11/3-5, 12, 19, 25; D13/168; D8/354, 366, 402, 499; D3/215; D15/199; 381/364, 151; 379/433.1; 455/575.1, 556.1, 556.2, 558, 575.3, 455/575.4, 575.6, 90.3; 368/10, 13, 69, 368/223; D21/329; D24/167
CPC H04B 1/03; H04B 1/385; G04G 17/083
See application file for complete search history.

(56) **References Cited**

U.S. PATENT DOCUMENTS

D80,307 S	1/1930	Conant	
D266,230 S	9/1982	Tsukahara	
D293,892 S	1/1988	Ichikawa	
D303,769 S	10/1989	Ando	
D331,020 S	11/1992	Ishii et al.	
D354,488 S *	1/1995	Hutcheson D14/192
D401,159 S	11/1998	Sugita et al.	
D447,704 S	9/2001	Deguines	
D456,274 S	4/2002	Mille	
6,678,535 B1	1/2004	Narayanaswami	
D507,550 S	7/2005	Kim et al.	
7,038,634 B2	5/2006	Bisig	

(Continued)

OTHER PUBLICATIONS

Hyper link <http://mobilab.tistory.com/33> printed on Oct. 23, 2013, pp. 1-9.

Primary Examiner — Susan Bennett Hattan

Assistant Examiner — Marie Fast Horse

(74) *Attorney, Agent, or Firm* — Cantor Colburn LLP

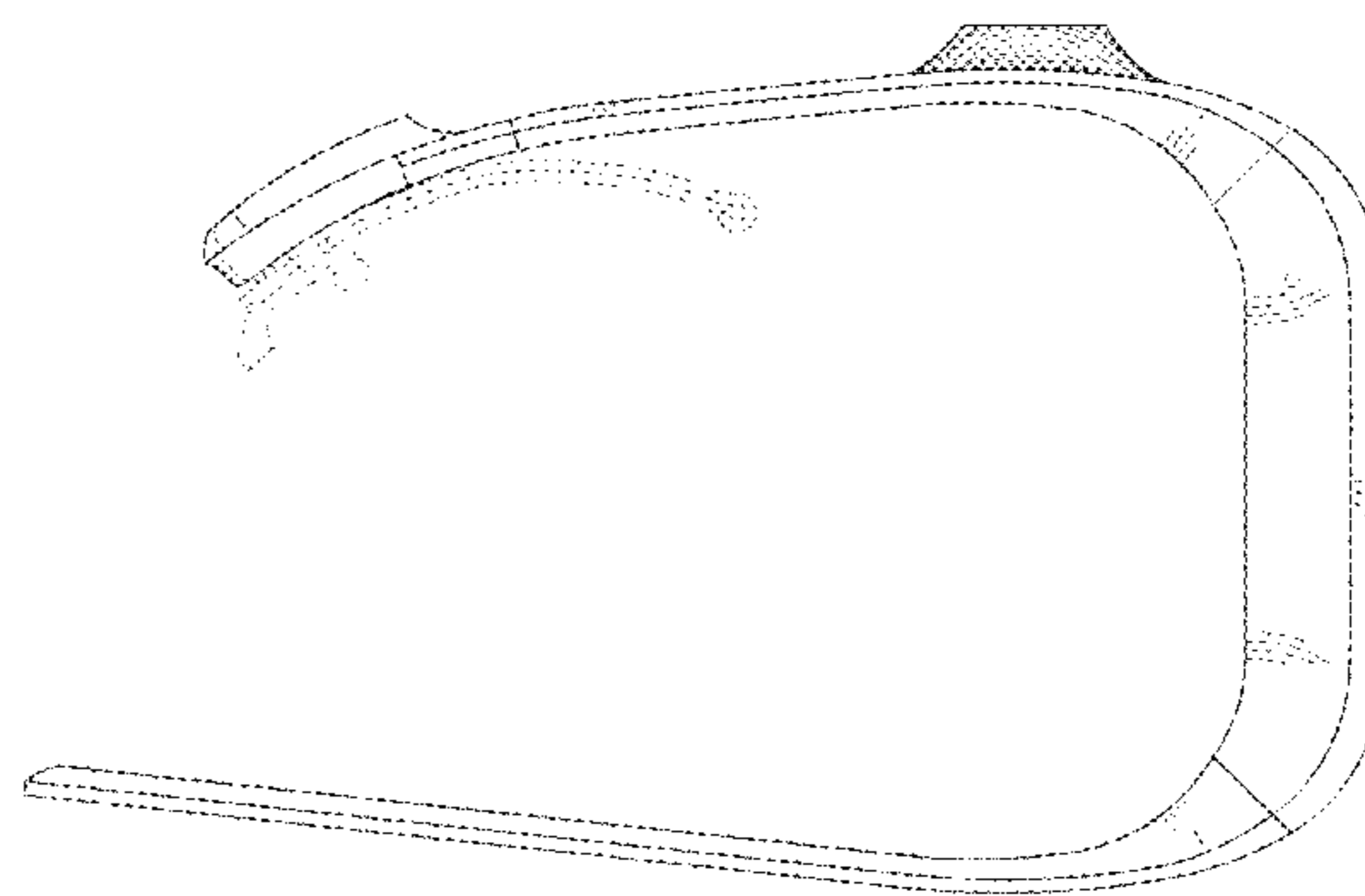
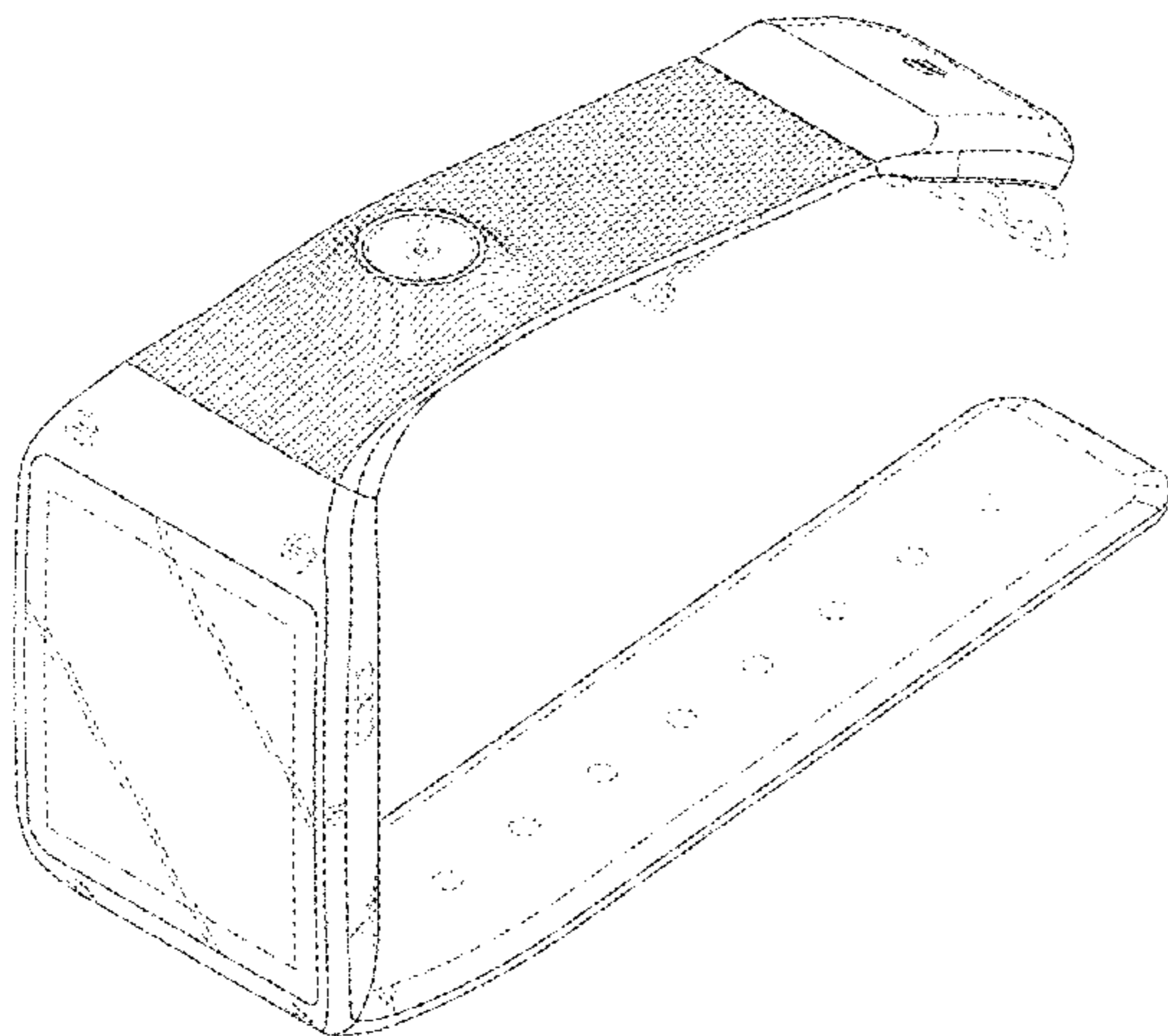
(57) **CLAIM**

I claim, the ornamental design for an electronic device, as shown and described.

DESCRIPTION

FIG. 1 is the front perspective view of an electronic device showing my new design;
FIG. 2 is a front elevation view thereof;
FIG. 3 is a rear elevation view thereof;
FIG. 4 is a side elevation view thereof;
FIG. 5 is another side elevation view thereof;
FIG. 6 is a top plan view thereof; and,
FIG. 7 is a bottom plan view thereof.
The broken lines depict parts of the electronic device that form no part of the claimed design.

1 Claim, 7 Drawing Sheets



(56)

References Cited

U.S. PATENT DOCUMENTS

D535,205 S	1/2007	Frederick et al.	8,301,211 B2	10/2012	Lee et al.	
D589,375 S	3/2009	Tang	D672,255 S	12/2012	Zanella et al.	
D598,301 S	8/2009	Moritz	D673,334 S	12/2012	Guo	
D606,423 S	12/2009	Mille	D673,868 S	1/2013	Mille	
D610,476 S	2/2010	Daniel	8,380,258 B2	2/2013	Kim et al.	
D621,808 S	8/2010	Kim	D679,199 S	4/2013	Mille	
D632,192 S	2/2011	Jorst et al.	D680,651 S	4/2013	Lumme et al.	
D636,686 S	4/2011	Cobbett et al.	D689,378 S	9/2013	Mille	
D637,094 S	5/2011	Cobbett et al.	D692,323 S	10/2013	Mille	
D637,918 S	5/2011	Cobbett et al.	D694,657 S	12/2013	Mille	
D637,992 S	5/2011	Tom et al.	8,620,395 B2	12/2013	Kang et al.	
D638,725 S	5/2011	Morrison	D703,661 S	4/2014	Krause et al.	
D639,955 S	6/2011	Riobo Aboy et al.	D708,980 S	7/2014	Brantman	
D640,367 S	6/2011	Lin et al.	D709,476 S	7/2014	Park et al.	
D645,910 S	9/2011	Foster et al.	D710,216 S	8/2014	Mille	
D646,184 S	10/2011	Duport et al.	D719,123 S *	12/2014	Park et al.	D14/138 R
D651,115 S	12/2011	Willows et al.	D721,701 S *	1/2015	Al-Nasser	D14/344
D656,856 S	4/2012	Kleinberg	D725,068 S *	3/2015	Cho et al.	D14/138 R
D658,515 S	5/2012	Mille	D726,676 S *	4/2015	Park et al.	D14/138 R
D660,726 S	5/2012	Register et al.	D726,679 S *	4/2015	Kim et al.	D14/138 R
D664,047 S	7/2012	Mille	D727,316 S *	4/2015	Song	D14/344
D664,048 S	7/2012	Mille	2009/0143117 A1	6/2009	Shin et al.	
D665,277 S	8/2012	Chiang	2009/0156255 A1	6/2009	Shin et al.	
D665,952 S	8/2012	Guo	2009/0201767 A1	8/2009	Caldwell	
D667,126 S	9/2012	Cho et al.	2011/0032105 A1	2/2011	Hoffman et al.	
8,275,327 B2	9/2012	Yi et al.	2012/0122519 A1	5/2012	Jochheim	
			2013/0222139 A1	8/2013	Gouge et al.	
			2014/0172983 A1	6/2014	Imamura	

* cited by examiner

FIG. 1

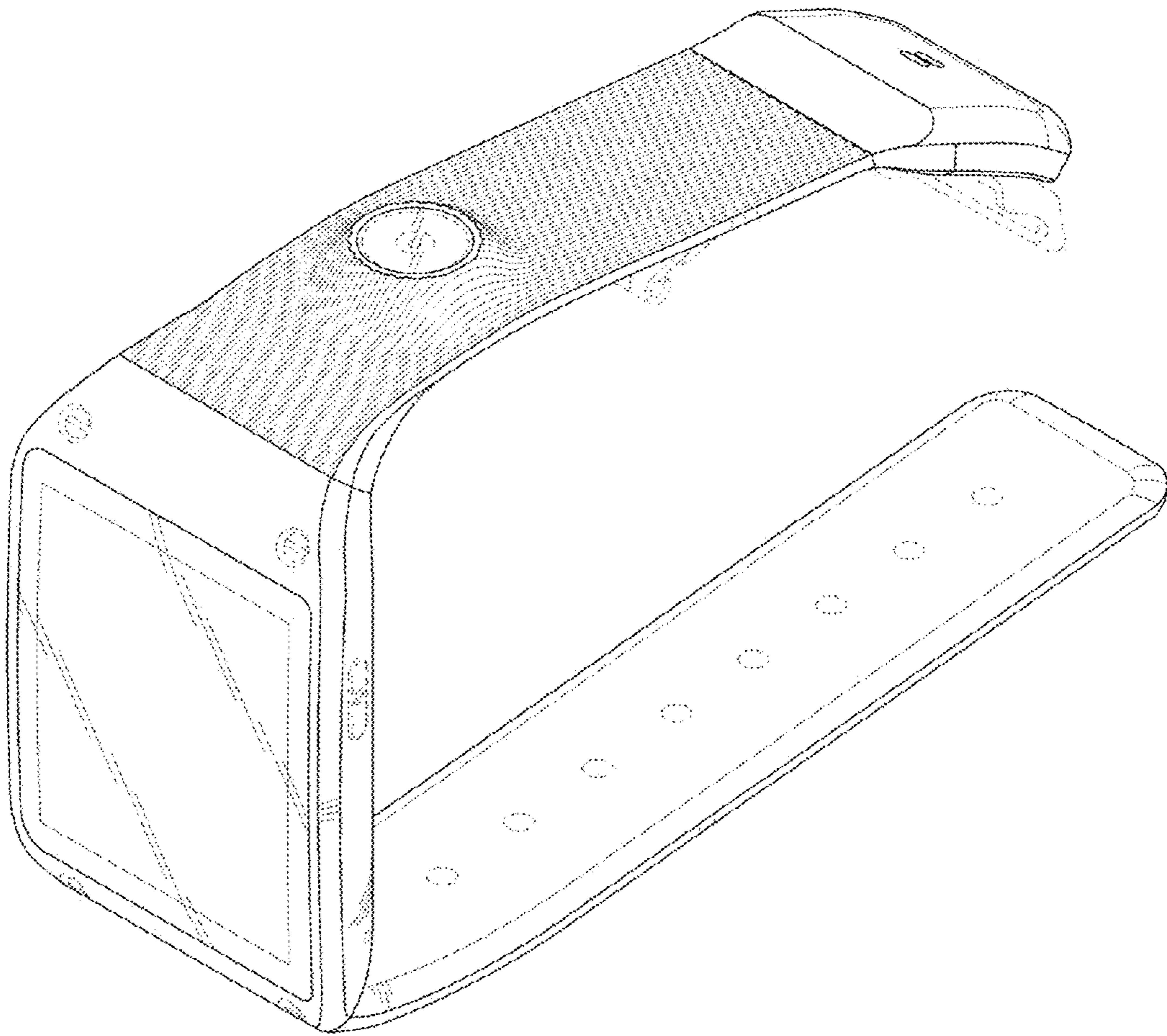


FIG. 2

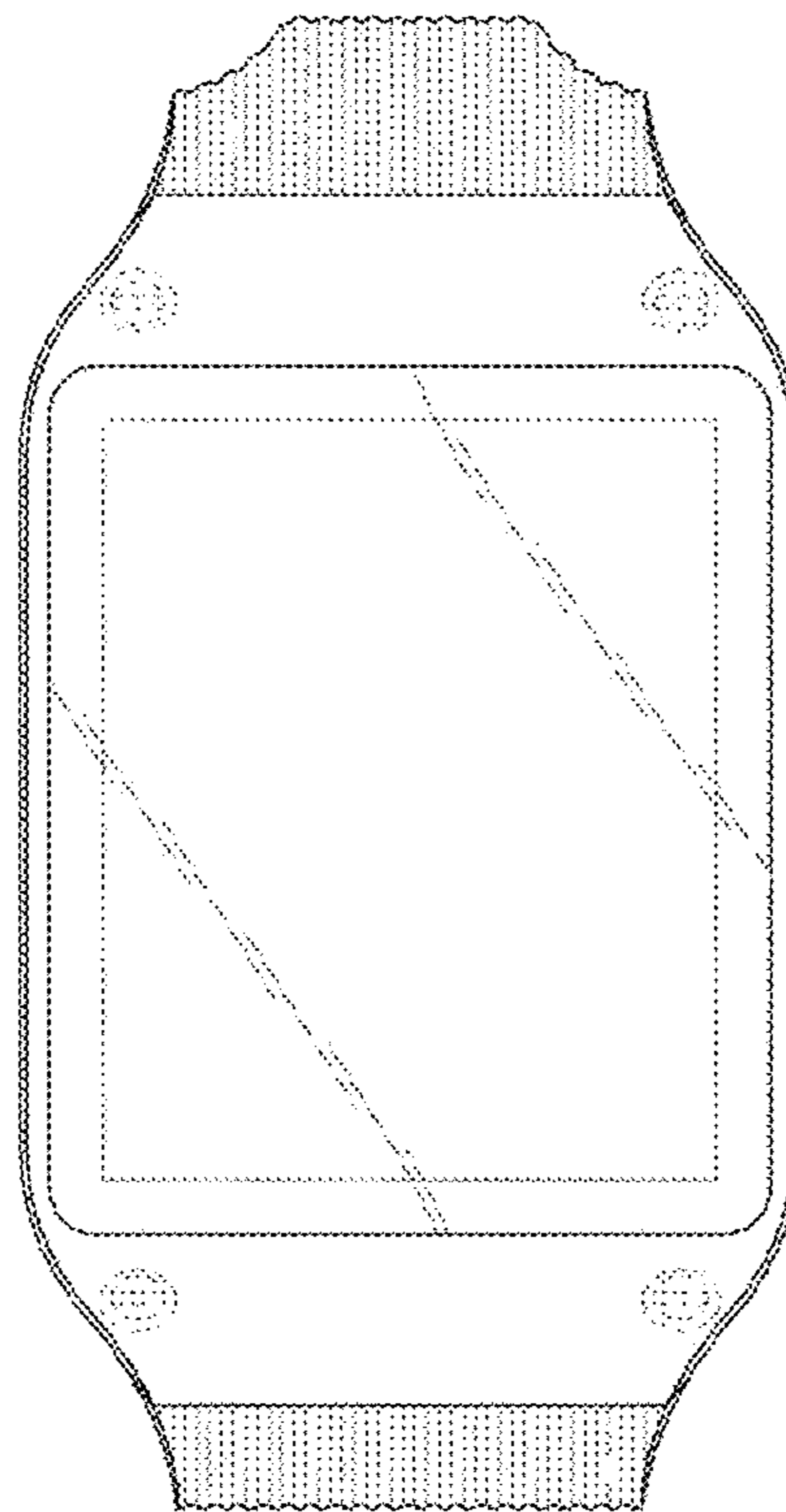


FIG. 3

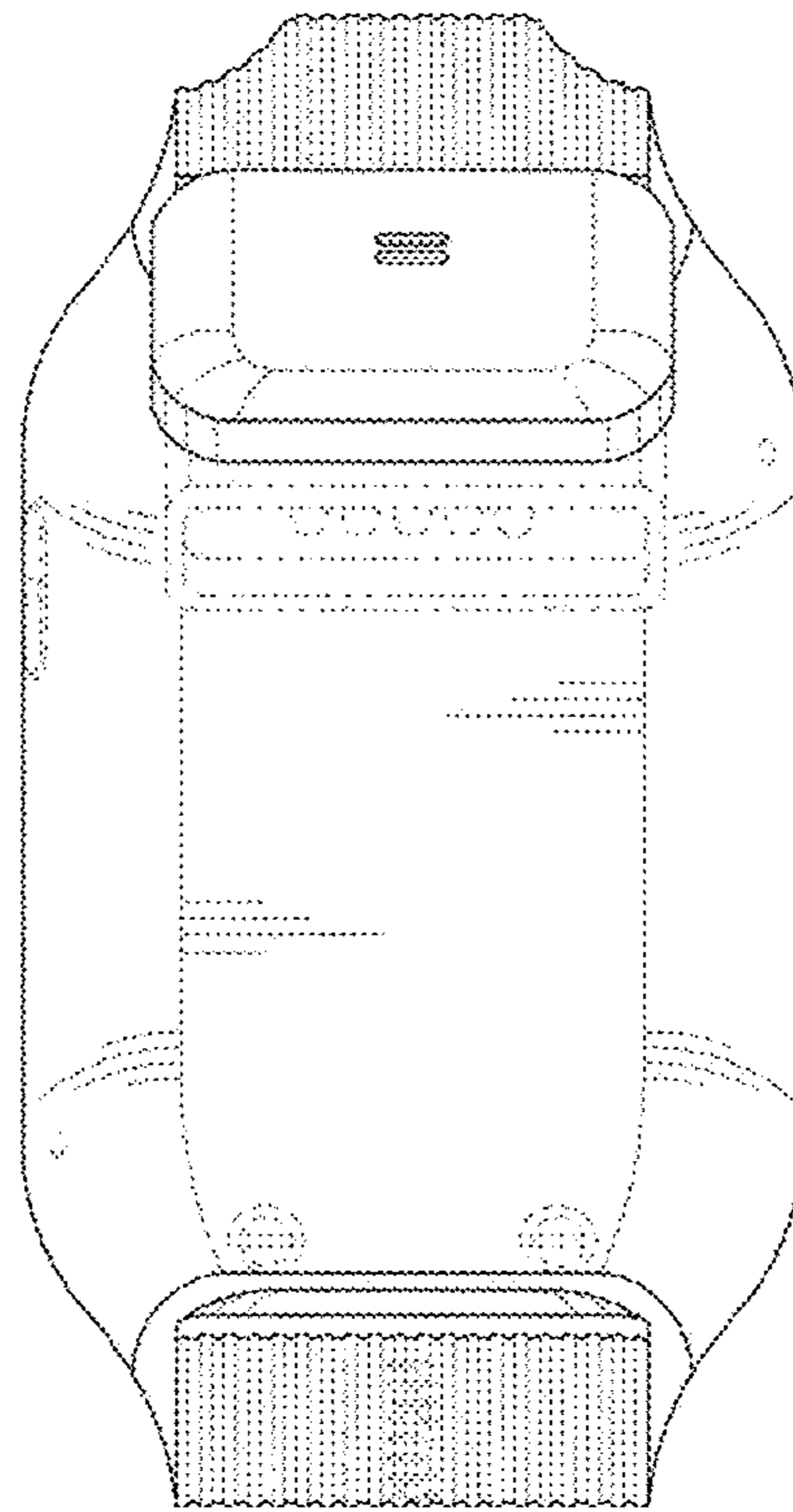


FIG. 4

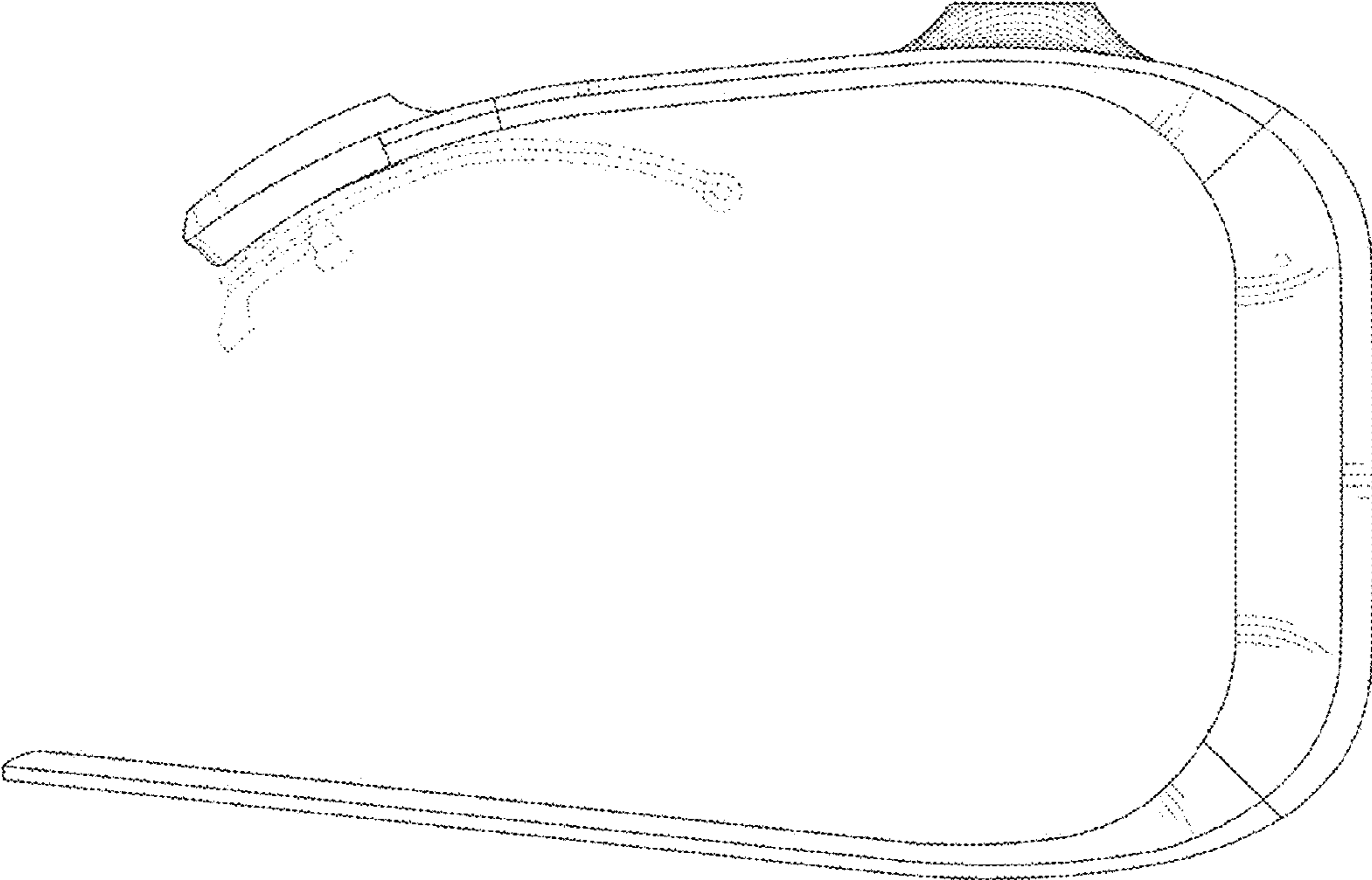


FIG. 5

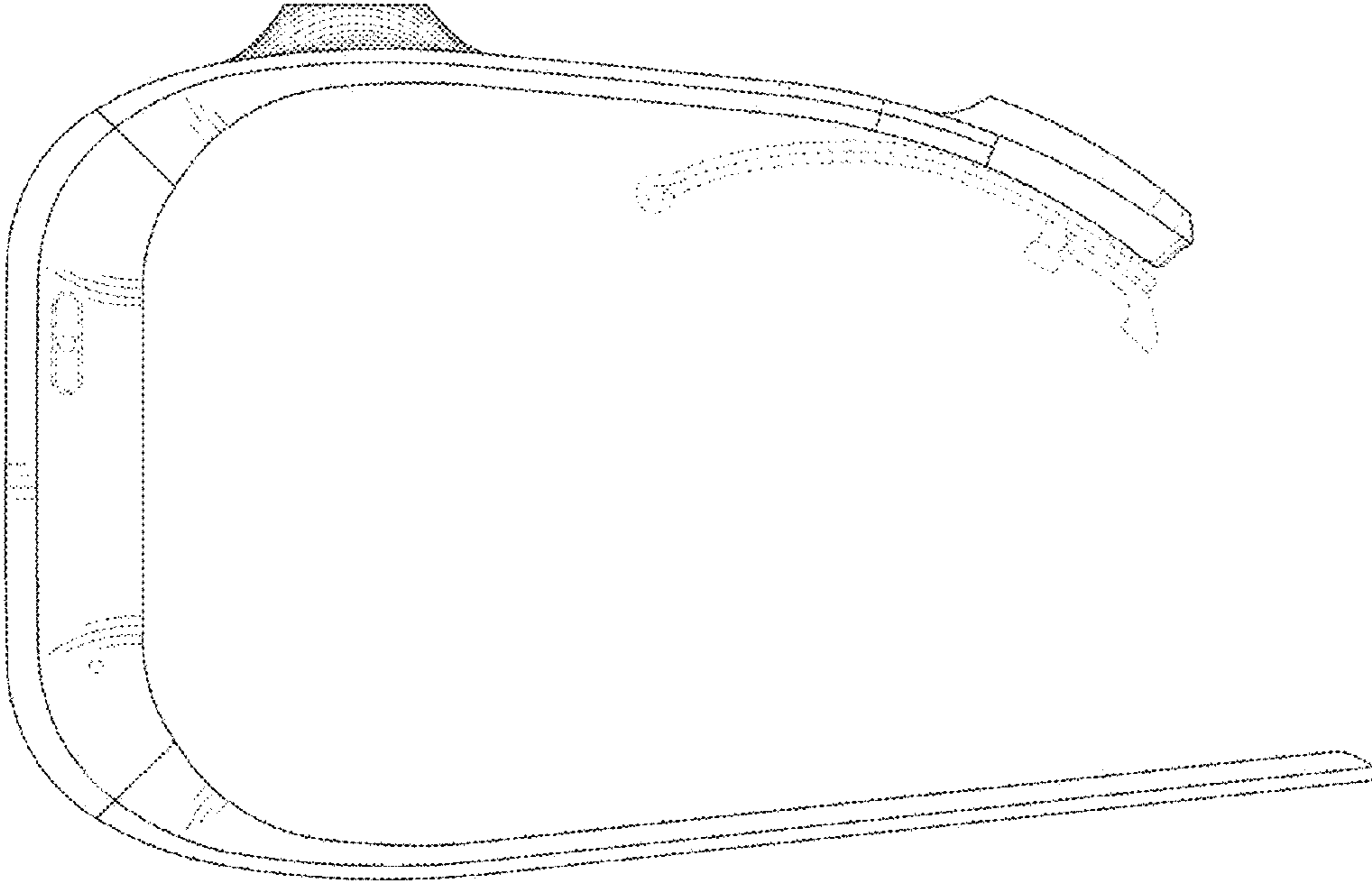


FIG. 6

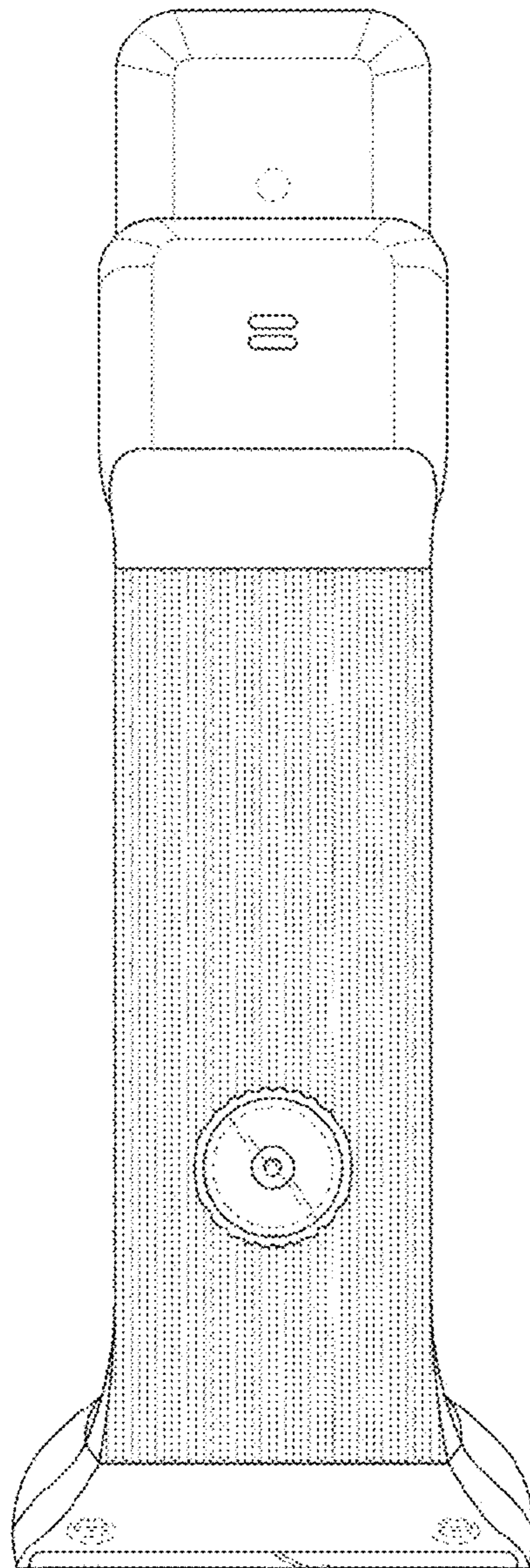


FIG. 7

