



US00D738368S

(12) **United States Design Patent**
Myung et al.

(10) **Patent No.:** **US D738,368 S**

(45) **Date of Patent:** **** Sep. 8, 2015**

(54) **DISPLAY FOR A PORTABLE COMPUTER**

(71) Applicant: **Samsung Electronics Co., Ltd.**,
Suwon-Si, Gyeonggi-do (KR)

(72) Inventors: **Ji-Eun Myung**, Eunpyeong-gu (KR);
Jun-Se Kim, Gwank-gu (KR);
Sang-Won Yoon, Seocho-gu (KR);
Nicole Lee, Dongdaemun-gu (KR)

(73) Assignee: **Samsung Electronics Co., Ltd.**,
Suwon-Si (KR)

(**) Term: **14 Years**

(21) Appl. No.: **29/458,277**

(22) Filed: **Jun. 18, 2013**

(30) **Foreign Application Priority Data**

Dec. 28, 2012 (KR) 30-2012-0062782

(51) **LOC (10) Cl.** **14-02**

(52) **U.S. Cl.**
USPC **D14/341**

(58) **Field of Classification Search**
USPC D14/315-327, 341-345, 371-374;
D18/1, 2, 7, 11; 235/145 A, 145 R;
341/22, 23; 345/104, 156, 168, 169,
345/173; 361/679.08, 679.09, 679.11,
361/679.26, 679.27

CPC G06F 1/16; G06F 1/1616; H01R 35/02;
H03M 11/00; G09B 13/04; H03K 17/94

See application file for complete search history.

(56) **References Cited**

U.S. PATENT DOCUMENTS

D270,061 S 8/1983 Ackeret
D284,084 S 6/1986 Ferrara, Jr.
D306,583 S 3/1990 Krolopp et al.
D333,574 S 3/1993 Ackeret

D337,569 S 7/1993 Kando
5,267,123 A 11/1993 Boothroyd et al.
5,887,723 A 3/1999 Myles et al.
D416,238 S 11/1999 Irie et al.
6,067,224 A 5/2000 Nobuchi
6,259,597 B1 7/2001 Anzai et al.

(Continued)

FOREIGN PATENT DOCUMENTS

KR 3005506890000 1/2010
KR 3005544080000 2/2010

(Continued)

OTHER PUBLICATIONS

Design U.S. Appl. No. 29/416,029 Applicant: Min-Jung Kim, et al.,
filed Mar. 16, 2012 entitled Tablet Computer.

(Continued)

Primary Examiner — Freda S Nunn

(74) *Attorney, Agent, or Firm* — Wood, Herron & Evans,
LLP

(57) **CLAIM**

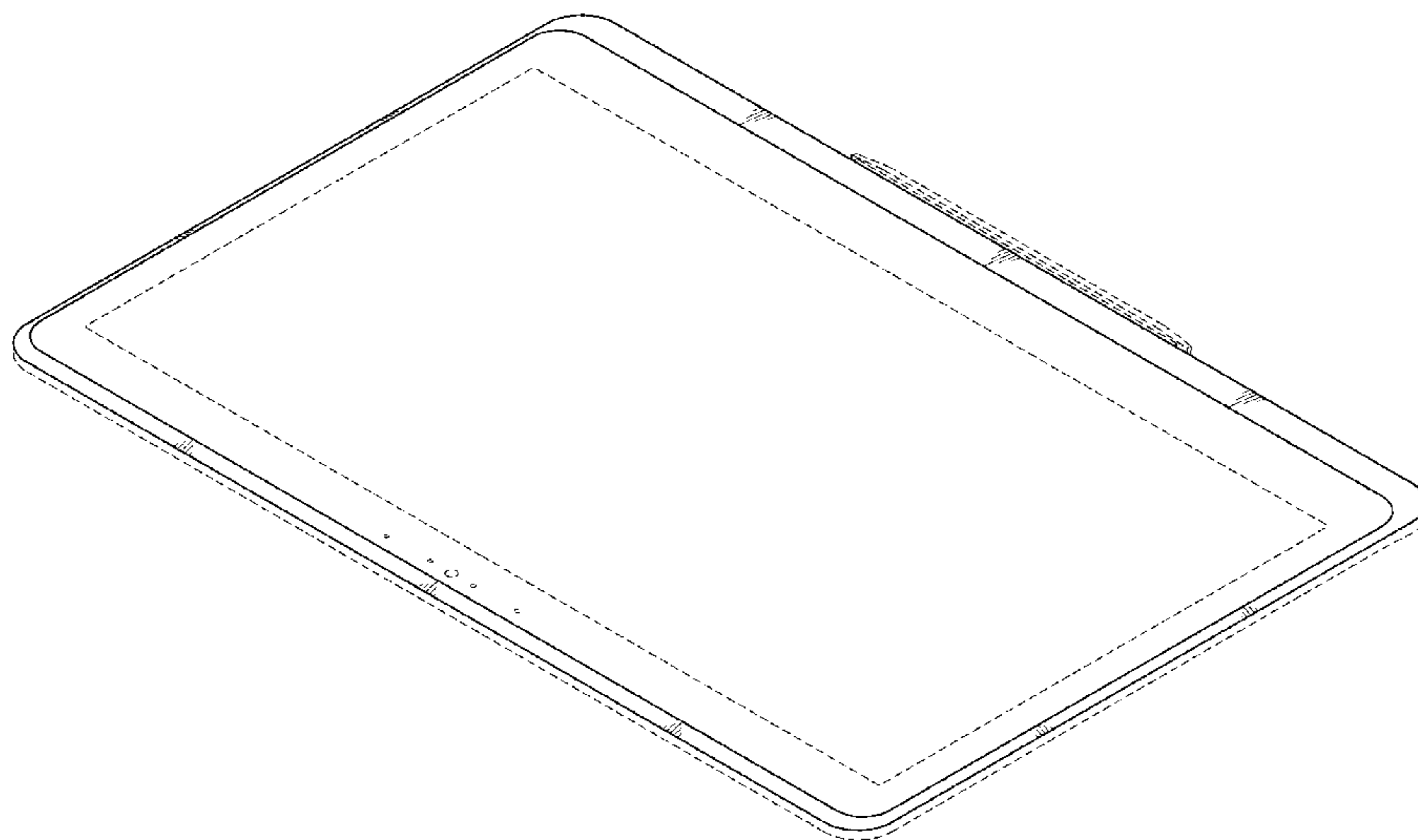
The ornamental design for a display for a portable computer,
as shown and described.

DESCRIPTION

FIG. 1 is a top front perspective view of a display for a
portable computer showing our new design;
FIG. 2 is a front view thereof;
FIG. 3 is a rear view thereof;
FIG. 4 is a left side view thereof;
FIG. 5 is a right side view thereof;
FIG. 6 is a top view thereof; and,
FIG. 7 is a bottom view thereof.

The broken lines illustrating portions of the display for a
portable computer are for environmental purposes only and
form no part of the claimed design.

1 Claim, 4 Drawing Sheets



(56)

References Cited

U.S. PATENT DOCUMENTS

D460,759 S	7/2002	West et al.	D650,381 S	12/2011	Park et al.
D463,797 S	10/2002	Andre et al.	D651,206 S	12/2011	Kim et al.
6,519,139 B2	2/2003	Kambayashi	D651,597 S	1/2012	Lee et al.
D490,420 S	5/2004	Solomon et al.	D651,598 S	1/2012	Kim et al.
6,775,129 B1	8/2004	Ghosh et al.	D651,599 S	1/2012	Kim et al.
6,781,819 B2	8/2004	Yang et al.	D651,600 S	1/2012	Lee et al.
6,785,128 B1	8/2004	Yun	D652,415 S	1/2012	Lee et al.
D499,704 S	12/2004	Song	D652,416 S	1/2012	Park et al.
6,829,140 B2	12/2004	Shimano et al.	D652,417 S	1/2012	Lee et al.
D500,991 S	1/2005	Niitsu	D652,831 S	1/2012	Lee et al.
D504,889 S	5/2005	Andre et al.	D654,073 S	2/2012	Li
D517,545 S	3/2006	Buckel et al.	D654,468 S	2/2012	Duan et al.
D532,791 S	11/2006	Kim	D654,498 S	2/2012	Hwang et al.
D540,790 S	4/2007	Kim et al.	D654,893 S	2/2012	Jung
D558,460 S	1/2008	Yu et al.	D657,785 S	4/2012	Lee et al.
D563,804 S	3/2008	Kimura et al.	D658,173 S	4/2012	Kim
D564,511 S	3/2008	Akhtar	D659,692 S	5/2012	Jung et al.
D579,930 S	11/2008	Maskatia	D661,294 S	6/2012	Park et al.
D584,738 S	1/2009	Kim et al.	D661,295 S	6/2012	Park et al.
D587,710 S	3/2009	Han	D661,299 S	6/2012	Kim et al.
D588,126 S	3/2009	Chiang et al.	D661,300 S	6/2012	Kim et al.
D589,511 S	3/2009	Han	D661,301 S	6/2012	Kim et al.
D589,958 S	4/2009	Han	D661,302 S	6/2012	Fukasawa et al.
D590,374 S	4/2009	Madonna et al.	D663,281 S	7/2012	Hwang
D592,212 S	5/2009	Hamada et al.	D663,298 S	7/2012	Song et al.
D592,214 S	5/2009	Bradford	D664,532 S	7/2012	Lee
7,542,284 B1	6/2009	Wilson, Sr.	D664,533 S	7/2012	Lee et al.
D601,138 S	9/2009	Solomon et al.	D664,534 S	7/2012	Lee et al.
D602,014 S	10/2009	Andre et al.	D664,535 S	7/2012	Lee et al.
D602,487 S	10/2009	Maskatia	D664,540 S	7/2012	Kim et al.
D604,291 S	11/2009	Andre et al.	D664,954 S	8/2012	Kim et al.
D605,628 S	12/2009	Ando	D664,955 S	8/2012	Kim et al.
D606,539 S	12/2009	Liao et al.	D666,198 S	8/2012	Van Den Nieuwenhuizen et al.
D606,961 S	12/2009	Aarras	D667,396 S	9/2012	Koh
D610,582 S	2/2010	Sugitani et al.	D667,397 S	9/2012	Koh
D611,364 S	3/2010	Lenz et al.	D667,398 S	9/2012	Koh
D613,510 S	4/2010	Tzeng et al.	D667,399 S	9/2012	Koh
D613,951 S	4/2010	Tang et al.	D667,825 S	9/2012	Jung
D616,440 S	5/2010	Lee	D668,650 S	10/2012	Han
D616,886 S	6/2010	Andre et al.	D668,651 S	10/2012	Kim et al.
D617,793 S	6/2010	Chiang et al.	D669,070 S	10/2012	Hsu et al.
D622,270 S	8/2010	Andre et al.	D669,468 S	10/2012	Akana et al.
D624,914 S	10/2010	Wang	D669,469 S	10/2012	Kang
D625,306 S	10/2010	Miyawaki	D670,286 S	11/2012	Akana et al.
D626,124 S	10/2010	Chyan et al.	D670,692 S	11/2012	Akana et al.
D626,437 S	11/2010	Lee et al.	D671,111 S	11/2012	Kim et al.
D627,667 S	11/2010	Lenz et al.	D671,514 S	11/2012	Kim et al.
D628,913 S	12/2010	Cheng	D671,536 S	11/2012	Fukasawa et al.
D629,771 S	12/2010	Haspil et al.	D671,539 S	11/2012	Kim et al.
D629,799 S	12/2010	Andre et al.	D672,344 S	12/2012	Li
D630,636 S	1/2011	Jeon et al.	D672,345 S	12/2012	Li
D631,455 S	1/2011	Kim et al.	D672,768 S	12/2012	Huang et al.
D631,469 S	1/2011	Demskie et al.	D673,561 S	1/2013	Hyun et al.
D631,961 S	2/2011	Held	D673,950 S	1/2013	Li et al.
D633,498 S	3/2011	Andre et al.	D674,384 S	1/2013	Zhang
D634,318 S	3/2011	Buckle et al.	D674,538 S	1/2013	Macko et al.
D634,745 S	3/2011	Park et al.	D675,203 S	1/2013	Yang
7,916,889 B2	3/2011	Takakusaki	D676,538 S	2/2013	Fehring
D636,391 S	4/2011	Shen et al.	D677,181 S	3/2013	Lenz et al.
D636,769 S	4/2011	Wood et al.	D677,255 S	3/2013	McManigal et al.
D636,770 S	4/2011	Li	D677,660 S	3/2013	Groene et al.
D637,596 S *	5/2011	Akana et al. D14/341	D678,271 S	3/2013	Chiu
D638,392 S	5/2011	Price et al.	D680,533 S	4/2013	Song et al.
D638,412 S	5/2011	Lee	D682,264 S	5/2013	Kim et al.
D639,226 S	6/2011	Juergens et al.	D682,821 S	5/2013	Kim et al.
D639,804 S	6/2011	Hwang et al.	D682,822 S	5/2013	Kim et al.
D639,805 S	6/2011	Song et al.	D682,823 S	5/2013	Park et al.
D639,806 S	6/2011	Lee et al.	D682,824 S	5/2013	Kim et al.
D640,220 S	6/2011	Shyu et al.	D682,825 S	5/2013	Kim et al.
D640,255 S	6/2011	Lee et al.	D682,826 S	5/2013	Kim et al.
D641,018 S	7/2011	Lee et al.	D682,827 S	5/2013	Park et al.
7,986,983 B2	7/2011	Harmon et al.	D682,828 S	5/2013	Kim et al.
D645,465 S	9/2011	Lin et al.	D686,202 S	7/2013	Lee et al.
D645,833 S	9/2011	Seflic et al.	D686,203 S	7/2013	Lee et al.
D646,902 S	10/2011	Woo et al.	D687,029 S	7/2013	Park et al.
			D687,430 S	8/2013	Park et al.
			D687,818 S	8/2013	Lee et al.
			D687,819 S	8/2013	Jung et al.
			D687,824 S	8/2013	Chun et al.

(56)

References Cited

U.S. PATENT DOCUMENTS

D687,825	S	8/2013	Lee et al.	
D687,826	S	8/2013	Jeon et al.	
D687,827	S	8/2013	Song et al.	
D687,831	S	8/2013	Kim	
D688,236	S	8/2013	Lee	
D689,046	S	9/2013	Park et al.	
D692,423	S	10/2013	Kim et al.	
2003/0048595	A1	3/2003	Hsieh et al.	
2003/0151888	A1	8/2003	Chien et al.	
2005/0018396	A1	1/2005	Nakajima et al.	
2005/0041378	A1	2/2005	Hamada et al.	
2005/0168925	A1*	8/2005	Fang et al.	361/683
2007/0097087	A1*	5/2007	Homer et al.	345/173
2008/0225471	A1*	9/2008	Takizawa	361/681
2009/0231292	A1	9/2009	Hsieh et al.	
2011/0074740	A1	3/2011	Liu	
2011/0294555	A1	12/2011	Happonen et al.	
2012/0092195	A1	4/2012	Lin	

FOREIGN PATENT DOCUMENTS

KR	3005639120000	6/2010
KR	3005639130000	6/2010
KR	3005680110000	7/2010
KR	3005804720000	11/2010
KR	3005869900000	1/2011
KR	3005942330000	3/2011
KR	3005958550000	4/2011
KR	3005985190000	5/2011
KR	3005994750000	5/2011
KR	3006004150000	5/2011
KR	3006004300000	5/2011
KR	3006013110001	6/2011
KR	3006013130000	6/2011
KR	3006013160000	6/2011
KR	3006013170000	6/2011
KR	3006046440000	7/2011
KR	3006052790000	7/2011
KR	3006052810000	7/2011
KR	3006052820000	7/2011
KR	3006052830000	7/2011
KR	3006059710000	7/2011
KR	3006063210000	7/2011
KR	3006064090000	7/2011
KR	3006083730000	8/2011
KR	3006083610000	8/2011
KR	3006083630000	8/2011
KR	3006083640000	8/2011
KR	3006083650000	8/2011
KR	3006083710000	8/2011
KR	3006085180000	8/2011

OTHER PUBLICATIONS

Design U.S. Appl. No. 29/416,032 Applicant: Min-Jung Kim, et al., filed Mar. 16, 2012 entitled Tablet Computer.
 Design U.S. Appl. No. 29/418,670 Applicant: Byeong-Yong Song, et al., filed Apr. 19, 2012 entitled Tablet Computer.
 Design U.S. Appl. No. 29/419,893 Applicant: Ik-Sang Kim, et al., filed May 2, 2012 entitled Slate Computer.
 Design U.S. Appl. No. 29/419,907 Applicant: Ik-Sang Kim, et al., filed May 2, 2012 entitled Slate Computer.
 Design U.S. Appl. No. 29/420,669 Applicant: Woo-Teik Lim, et al., filed May 11, 2012 entitled Tablet Computer.
 Design U.S. Appl. No. 29/425,977 Applicant: Ji-Sang Park, et al., filed Jun. 28, 2012 entitled Tablet Computer.
 Design U.S. Appl. No. 29/425,978 Applicant: Woo-Teik Lim, et al., filed Jun. 28, 2012 entitled Tablet Computer.
 Design U.S. Appl. No. 29/427,736 Applicant: Min-Jung Kim, et al., filed Jul. 21, 2012 entitled Tablet Computer.
 Design U.S. Appl. No. 29/431,774 Applicant: Sang-Eun Lee, et al., filed Sep. 11, 2012 entitled Tablet Computer.

Design U.S. Appl. No. 29/435,870 Inventor: Son-Young Lee, et al., filed Oct. 30, 2012 entitled Portable Computer.
 Design U.S. Appl. No. 29/435,889 Inventor: Dong-Seok Lee, et al., filed Oct. 30, 2012 entitled Portable Computer.
 Design U.S. Appl. No. 29/438,934 Inventor: Ik-Sang Kim, et al., filed Dec. 5, 2012 entitled Slate Computer.
 Design U.S. Appl. No. 29/438,948 Inventor: Chung-Ha Kim, et al., filed Dec. 5, 2012 entitled Portable Computer.
 Design U.S. Appl. No. 29/438,951 Inventor: Chung-Ha Kim, et al., filed Dec. 5, 2012 entitled Portable Computer.
 Design U.S. Appl. No. 29/441,093 Inventor: Chang-Ho Lee, et al., filed Dec. 31, 2012 entitled Portable Computer.
 Design U.S. Appl. No. 29/441,101 Inventor: Chang-Ho Lee, et al., filed Dec. 31, 2012 entitled Portable Computer.
 Design U.S. Appl. No. 29/441,112 Inventor: Chang-Ho Lee, et al., filed Dec. 31, 2012 entitled Portable Computer.
 Design U.S. Appl. No. 29/441,114 Inventor: Chang-Ho Lee, et al., filed Dec. 31, 2012 entitled Portable Computer.
 Design U.S. Appl. No. 29/441,179 Inventor: Chang-Ho Lee, et al., filed Jan. 2, 2013 entitled Portable Computer.
 Design U.S. Appl. No. 29/452,297 Inventor: Min-Hee Lee, et al., filed Apr. 15, 2013 entitled Notebook Computer.
 Design U.S. Appl. No. 29/452,583 Inventor: Seung-Ho Jung, et al., filed Apr. 18, 2013 entitled Portable Computer.
 Design U.S. Appl. No. 29/452,586 Inventor: Seung-Ho Jung, et al., filed Apr. 18, 2013 entitled Portable Computer.
 Design U.S. Appl. No. 29/452,852 Inventor: Son-Young Lee, et al., filed Apr. 18, 2013 entitled Portable Computer.
 Design U.S. Appl. No. 29/452,588 Inventor: Chung-Ha Kim, et al., filed Apr. 18, 2013 entitled Portable Computer.
 Design U.S. Appl. No. 29/452,592 Inventor: Son-Young Lee, et al., filed Apr. 18, 2013 entitled Portable Computer.
 Design U.S. Appl. No. 29/452,593 Inventor: Woo-Teik Lim, et al., filed Apr. 18, 2013 entitled Slate Computer.
 Design U.S. Appl. No. 29/452,594 Inventor: Son-Young Lee, et al., filed Apr. 18, 2013 entitled Portable Computer.
 Design U.S. Appl. No. 29/452,595 Inventor: Ho-Young Seoc, et al., filed Apr. 18, 2013 entitled Slate Computer.
 Design U.S. Appl. No. 29/452,601 Inventor: Ji-Sang Park, et al., filed Apr. 18, 2013 entitled Portable Computer.
 Design U.S. Appl. No. 29/456,501 Inventor: Se-Hun Oh, et al., filed May 31, 2013 entitled Portable Computer.
 Design U.S. Appl. No. 29/457,839 Inventor: Son-Young Lee, et al., filed Jun. 13, 2013 entitled Portable Computer.
 Design U.S. Appl. No. 29/457,846 Inventor: Son-Young Lee, et al., filed Jun. 13, 2013 entitled Body of Portable Computer.
 Design U.S. Appl. No. 29/457,848 Inventor: Son-Young Lee, et al., filed Jun. 13, 2013 entitled Portable Computer.
 Design U.S. Appl. No. 29/457,852 Inventor: Son-Young Lee, et al., filed Jun. 13, 2013 entitled Body of Portable Computer.
 Design U.S. Appl. No. 29/457,859 Inventor: Son-Young Lee, et al., filed Jun. 13, 2013 entitled Portable Computer.
 Design U.S. Appl. No. 29/457,864 Inventor: Son-Young Lee, et al., filed Jun. 13, 2013 entitled Portable Computer.
 Design U.S. Appl. No. 29/457,867 Inventor: Son-Young Lee, et al., filed Jun. 13, 2013 entitled Portable Computer.
 Design U.S. Appl. No. 29/457,870 Inventor: Son-Young Lee, et al., filed Jun. 13, 2013 entitled Body of Portable Computer.
 Design U.S. Appl. No. 29/457,871 Inventor: Son-Young Lee, et al., filed Jun. 13, 2013 entitled Display for a Portable Computer.
 Design U.S. Appl. No. 29/457,873 Inventor: Son-Young Lee, et al., filed Jun. 13, 2013 entitled Portable Computer.
 Design U.S. Appl. No. 29/457,874 Inventor: Won-Suk Chung, et al., filed Jun. 13, 2013 entitled Body of Portable Computer.
 Design U.S. Appl. No. 29/457,875 Inventor: Son-Young Lee, et al., filed Jun. 13, 2013 entitled Display for a Portable Computer.
 Design U.S. Appl. No. 29/458,191 Inventor: Ji-Eun Myung, et al., filed Jun. 28, 2013 entitled Portable Computer.
 Design U.S. Appl. No. 29/458,200 Inventor: Ji-Eun Myung, et al., filed Jun. 28, 2013 entitled Body of Portable Computer.
 Design U.S. Appl. No. 29/458,204 Inventor: Ji-Eun Myung, et al., filed Jun. 28, 2013 entitled Portable Computer.

(56)

References Cited

OTHER PUBLICATIONS

Design U.S. Appl. No. 29/458,206 Inventor: Ji-Eun Myung, et al.,
filed Jun. 28, 2013 entitled Body of Portable Computer.

Design U.S. Appl. No. 29/458,207 Inventor: Ji-Eun Myung, et al.,
filed Jun. 28, 2013 entitled Display for a Portable Computer.

Design U.S. Appl. No. 29/458,285 Inventor: Ji-Eun Myung, et al.,
filed Jun. 28, 2013 entitled Display for a Portable Computer.

Design U.S. Appl. No. 29/458,289 Inventor: Ji-Eun Myung, et al.,
filed Jun. 28, 2013 entitled Body of Portable Computer.

Design U.S. Appl. No. 29/458,290 Inventor: Ji-Eun Myung, et al.,
filed Jun. 28, 2013 entitled Display for a Portable Computer.

Design U.S. Appl. No. 29/452,587 Inventor: Sung-Jin Yum, et al.,
filed Apr. 18, 2013 entitled Portable Computer.

Design U.S. Appl. No. 29/458,186 Inventor: Ji-Eun Myung, et al.,
filed Jun. 28, 2013 entitled Portable Computer.

* cited by examiner

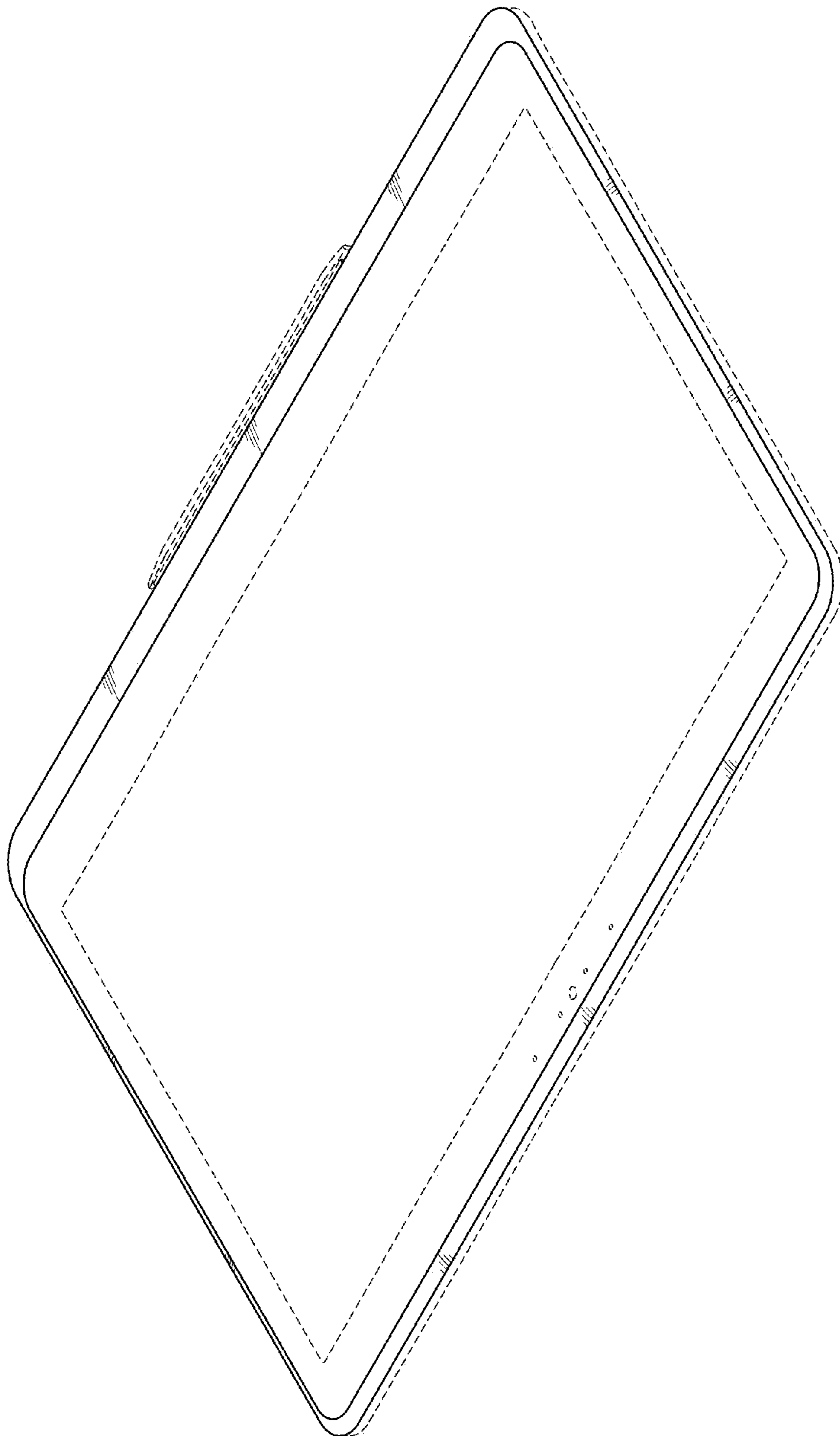


FIG.1

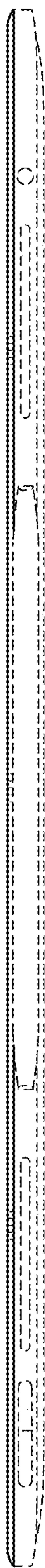


FIG. 2



FIG. 3



FIG. 4

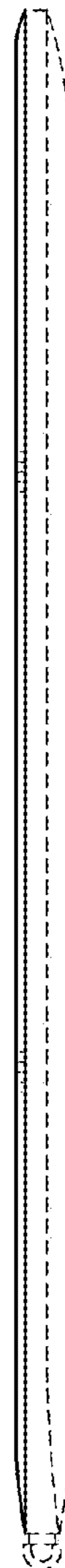


FIG. 5

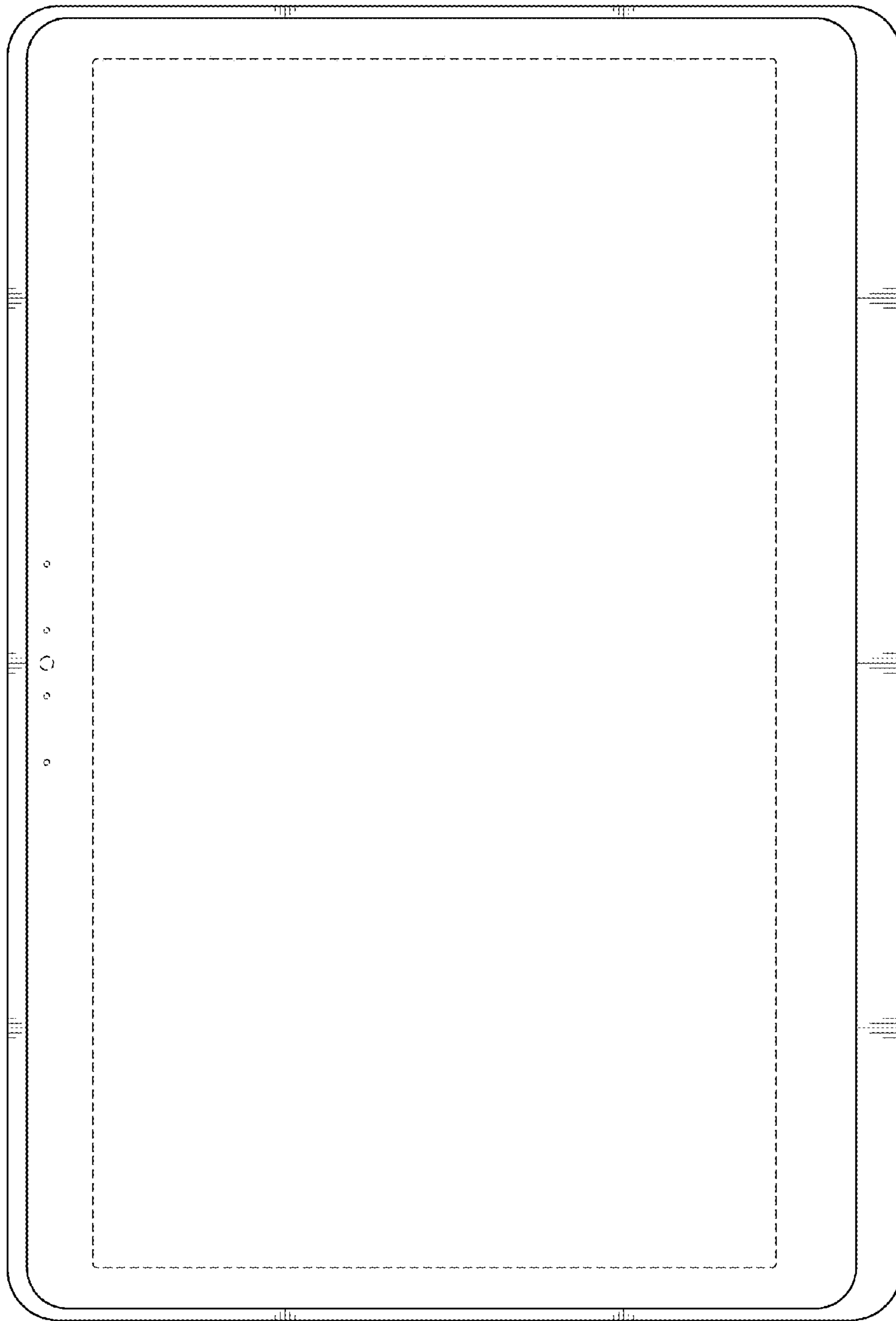


FIG.6

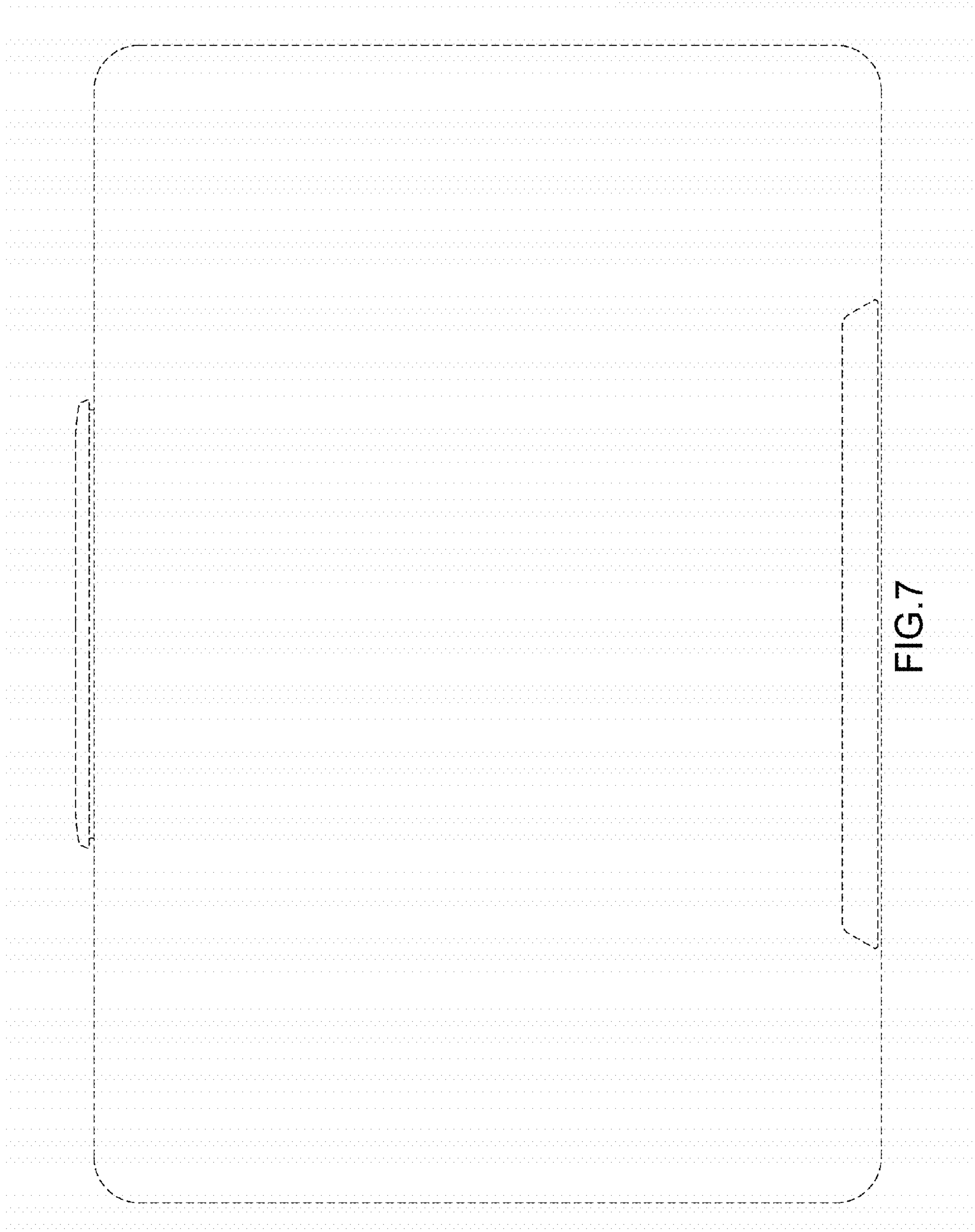


FIG. 7