



US00D738360S

(12) **United States Design Patent**
Papson et al.

(10) **Patent No.:** **US D738,360 S**
(45) **Date of Patent:** **** Sep. 8, 2015**

- (54) **NETWORK PROTECTOR MASTER RELAY**
- (71) Applicant: **DGI Creations, LLC**, Raleigh, NC (US)
- (72) Inventors: **John Christopher Papson**, Melville, NY (US); **John Robert Weber, Jr.**, Fort Salonga, NY (US)
- (73) Assignee: **DGI CREATIONS, LLC**, Raleigh, NC (US)

(**) Term: **14 Years**

(21) Appl. No.: **29/471,763**

- (22) Filed: **Nov. 5, 2013**
- (51) **LOC (10) Cl.** **14-03**
- (52) **U.S. Cl.**
USPC **D14/240**
- (58) **Field of Classification Search**
USPC D14/242, 240, 435.1, 357, 358, D14/140-140.9, 155, 137, 139, 243, 348, D14/349, 351, 354, 355; D13/159, 147, D13/184; 361/62-66, 82, 84; 379/27.06, 379/100.09, 304, 220.01, 221.02, 93.09, 379/93.14, 93.15, 156, 413.02
CPC H04L 12/00; H03K 17/00; H04W 88/00; H04W 88/005; H04W 88/02; H04W 88/08; H04W 88/085; H04W 88/10; H04W 88/12; H04W 88/14; H04B 1/38; H04Q 1/028; H04Q 3/00; H04Q 3/0008; H04Q 3/0012; H04Q 3/52; H04Q 11/0005; H04Q 2213/02; H04Q 2213/1302; H02H 7/22; H02H 7/261; H02H 7/262; H02H 7/263; H04M 3/30
See application file for complete search history.

(56) **References Cited**

U.S. PATENT DOCUMENTS

- D364,859 S * 12/1995 Fenton et al. D14/357
- D485,829 S * 1/2004 Lee D14/240
- D510,342 S * 10/2005 MacCormac et al. D14/240

- D616,876 S 6/2010 MacCormac
- D617,733 S * 6/2010 Yang D13/120
- D641,334 S * 7/2011 Hong et al. D14/138 AA
- 8,553,382 B2 * 10/2013 Coffey 361/65
- D727,906 S * 4/2015 Neumann D14/433
- D733,663 S * 7/2015 Chen et al. D13/147
- 2008/0205843 A1 * 8/2008 Castonguay et al. 385/135
- 2010/0310221 A1 * 12/2010 Le Dissez 385/135
- 2013/0039017 A1 * 2/2013 Lichoulas et al. 361/730
- 2014/0023126 A1 * 1/2014 Lichoulas et al. 375/222

OTHER PUBLICATIONS

Network Protector Master Relays, Mar. 14, 2013, 1 page, flyer produced by DigitalGrid, Inc. Raleigh, NC USA.

* cited by examiner

Primary Examiner — Rosemary K Tarcza

Assistant Examiner — Sanjeev Paul

(74) *Attorney, Agent, or Firm* — Kevin E. Flynn; Flynn IP Law

(57) **CLAIM**

The ornamental design for a network protector master relay, as shown.

DESCRIPTION

FIG. 1 is a perspective view of the right side, rear side, and top side of a network protector master relay showing the new design.

FIG. 2 is a perspective view of the right side, front side, and bottom side thereof;

FIG. 3 is a right side elevational view thereof;

FIG. 4 is a left side elevational view thereof;

FIG. 5 is a front side elevational view thereof;

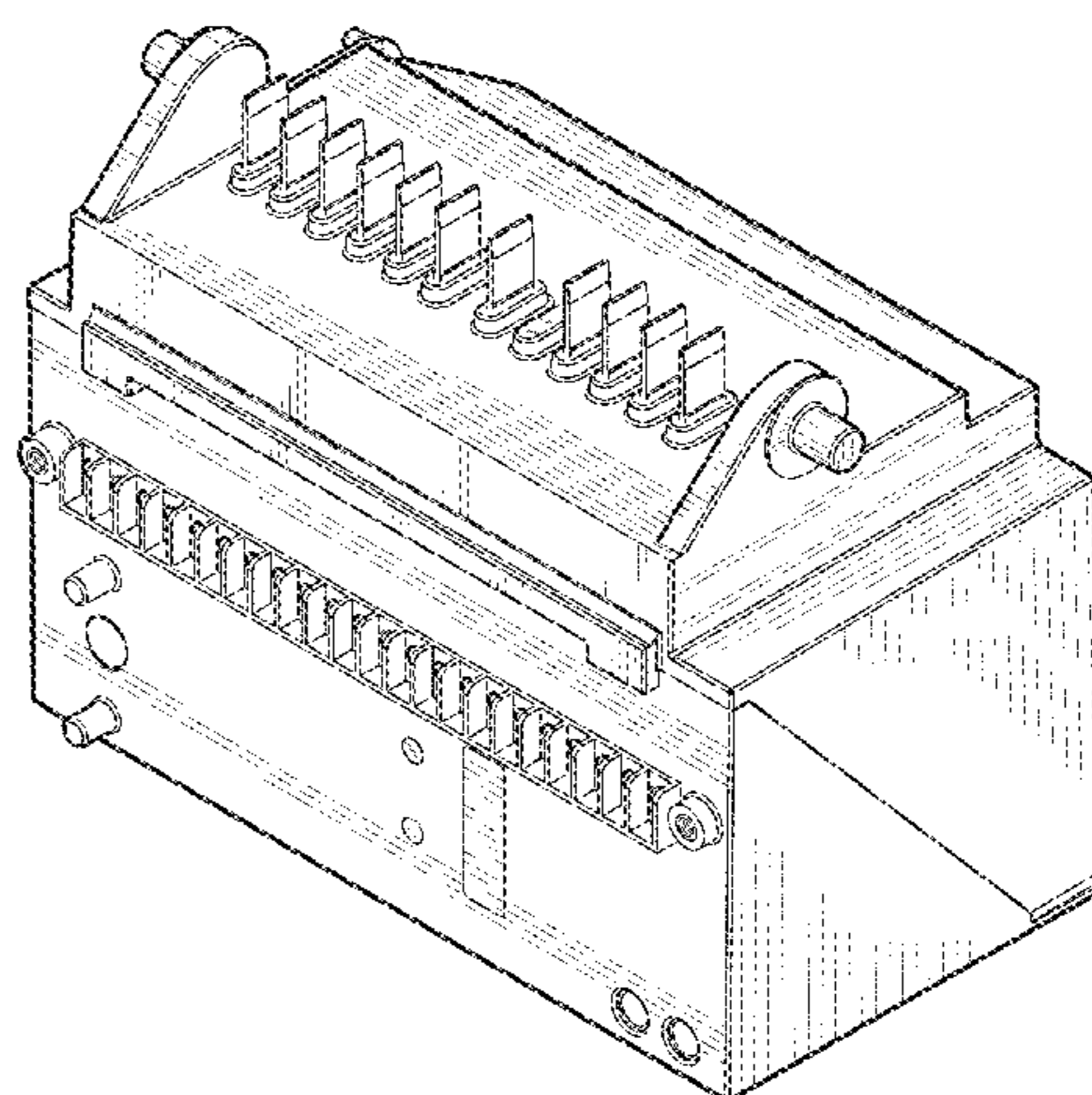
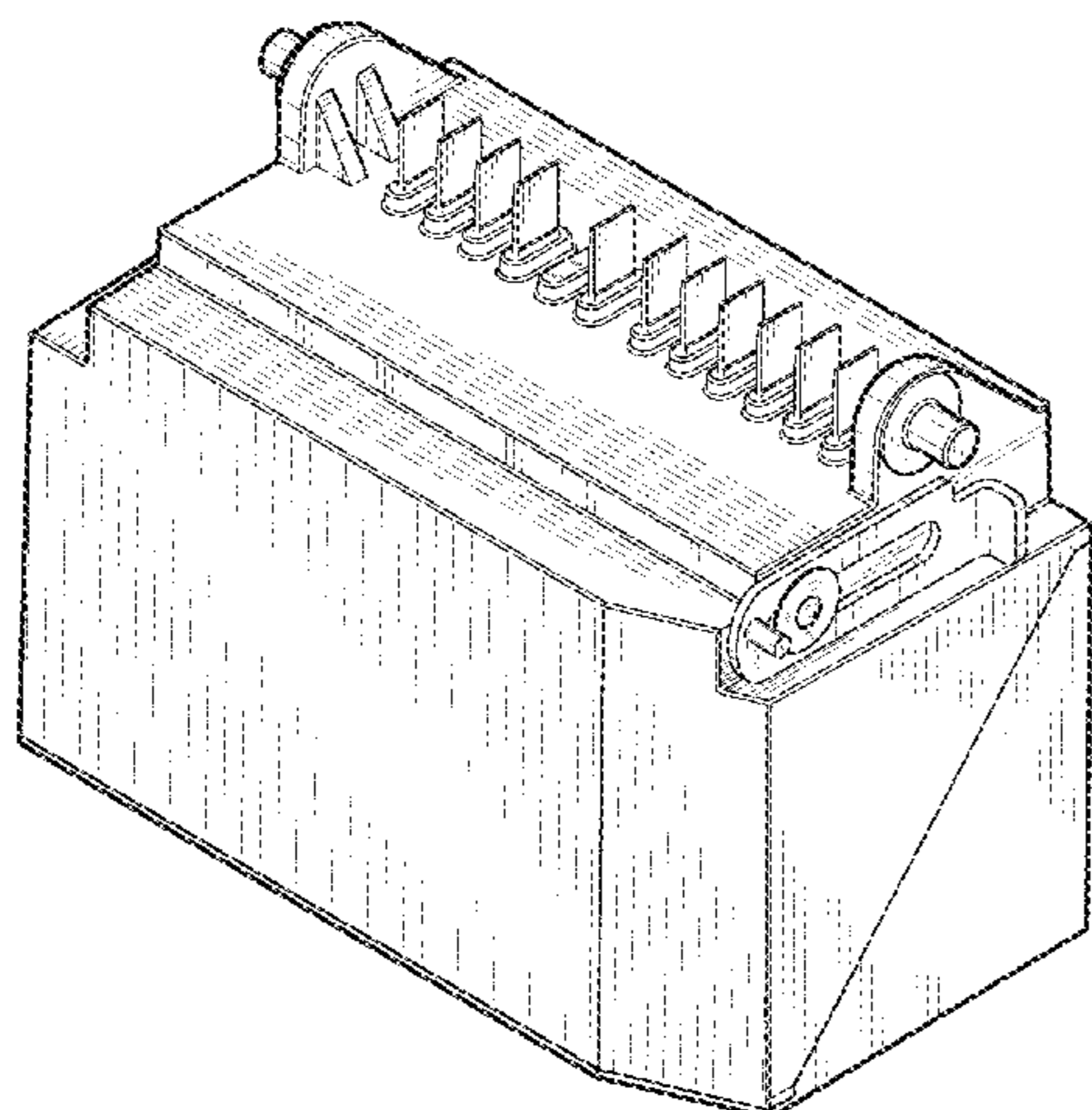
FIG. 6 is a rear side elevational view thereof

FIG. 7 is a top plan view thereof; and,

FIG. 8 is a bottom plan view thereof.

The claimed network protector master relay contains components used in the monitoring and control of a network protector used in electricity distribution systems.

1 Claim, 5 Drawing Sheets



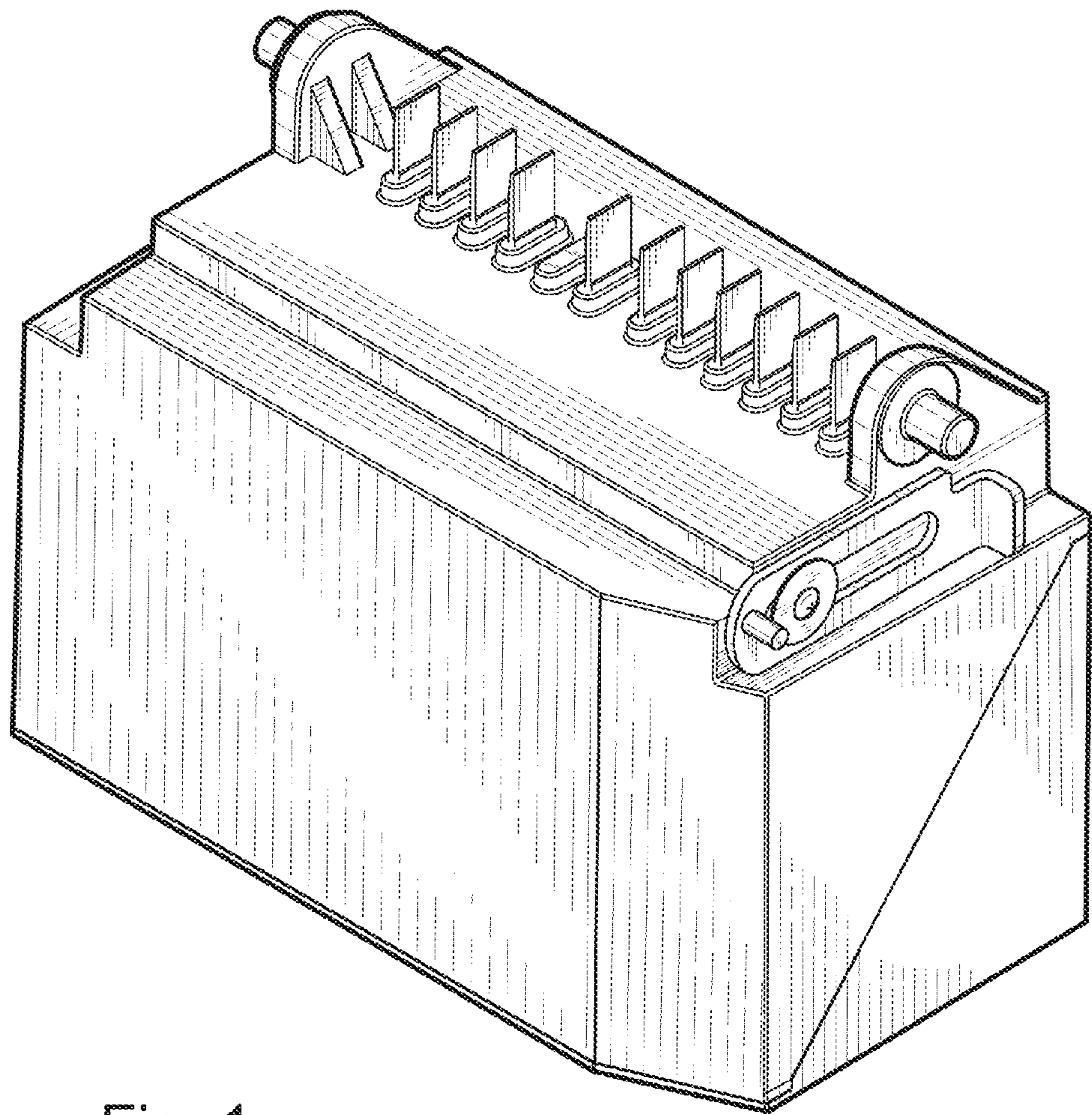


Fig. 1

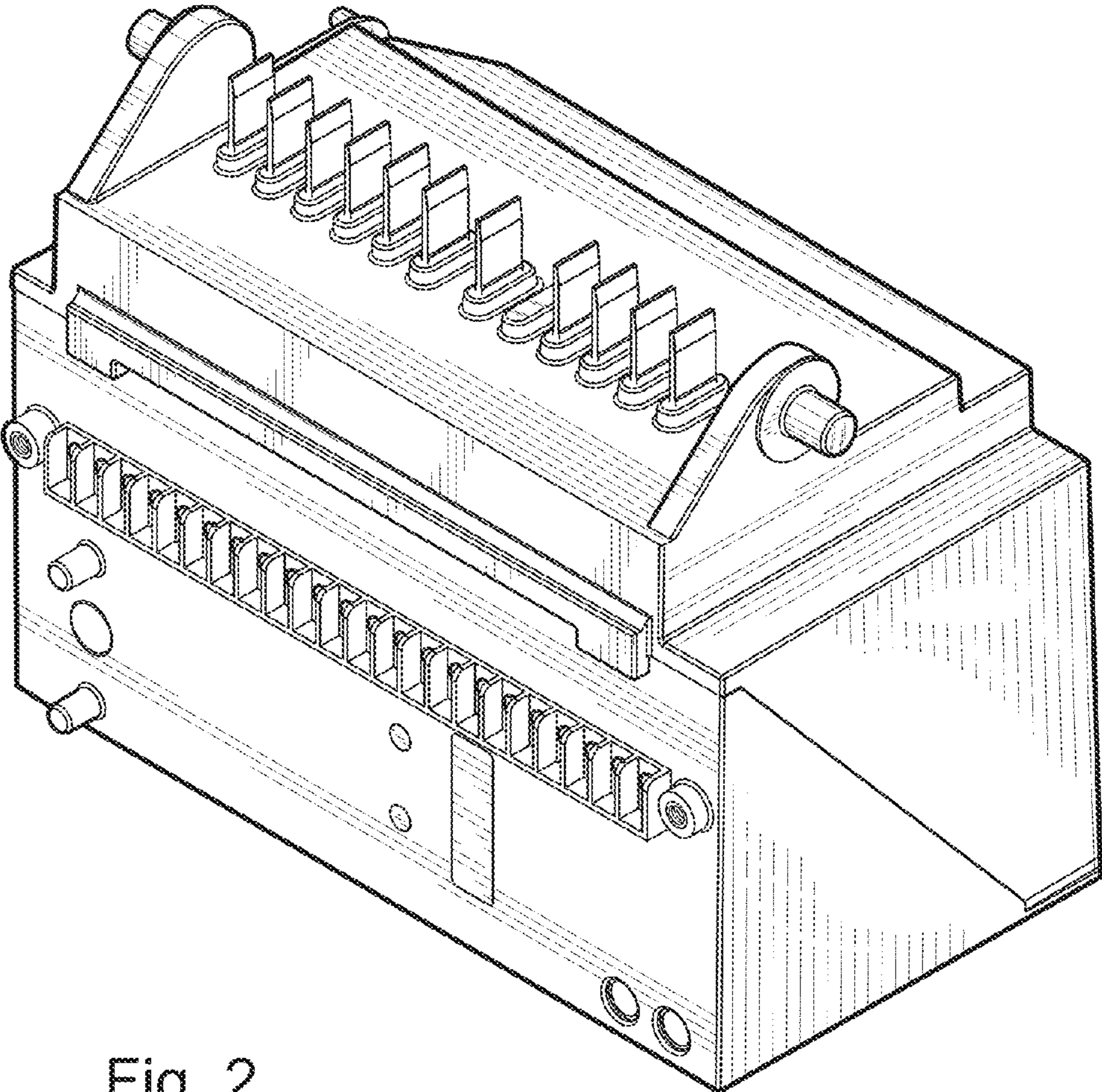


Fig. 2

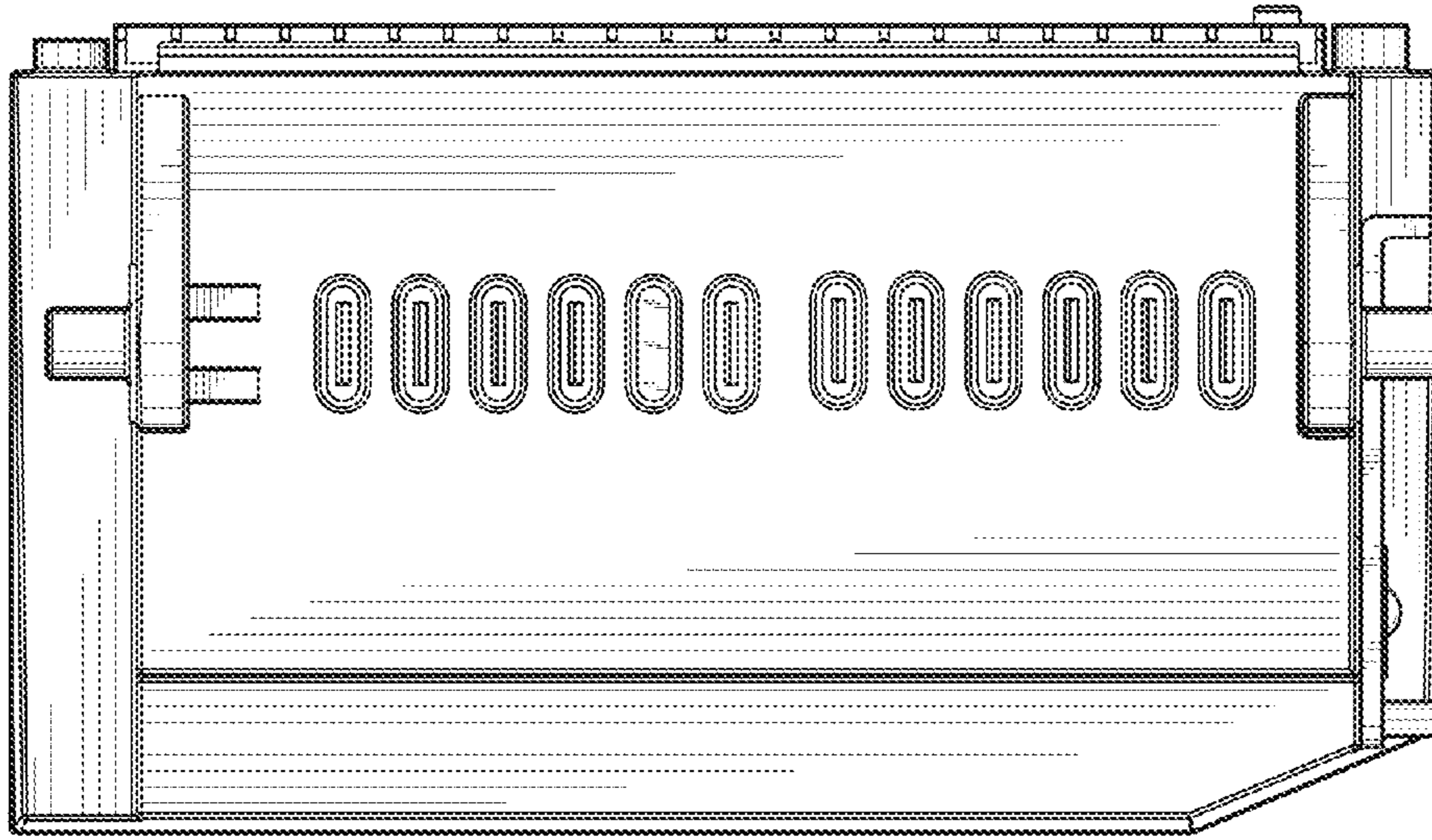


Fig. 3

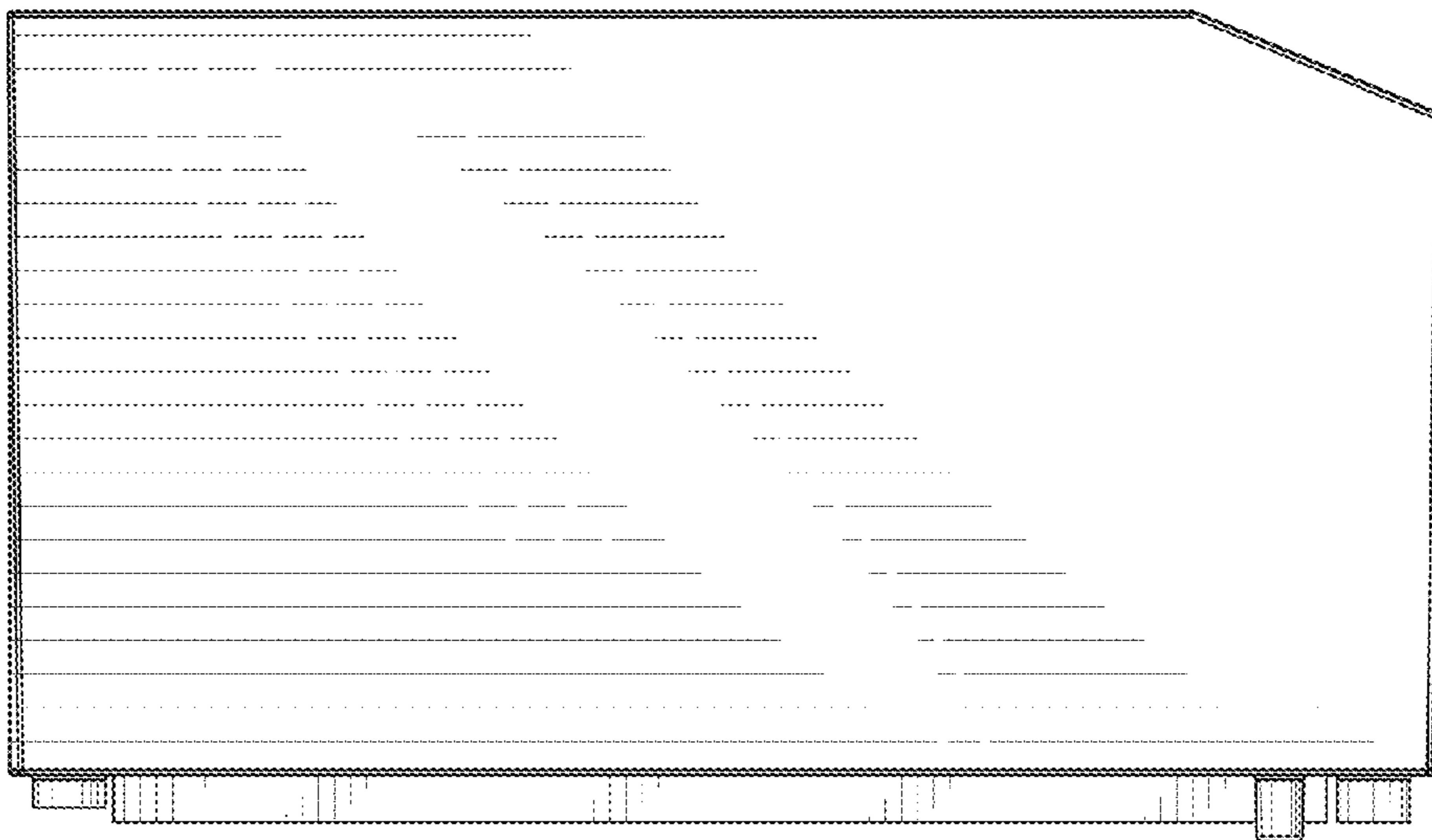


Fig. 4

Fig. 5

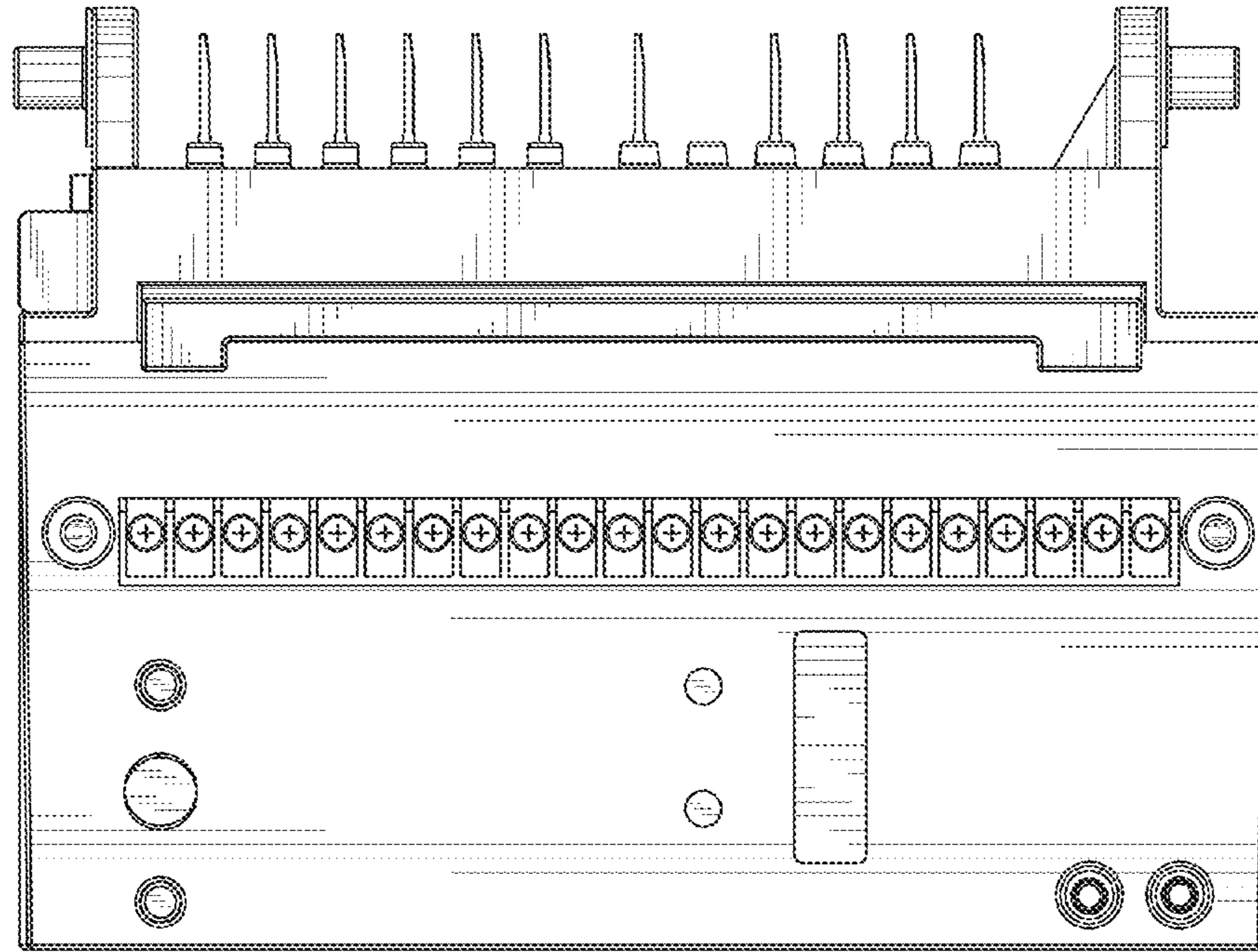
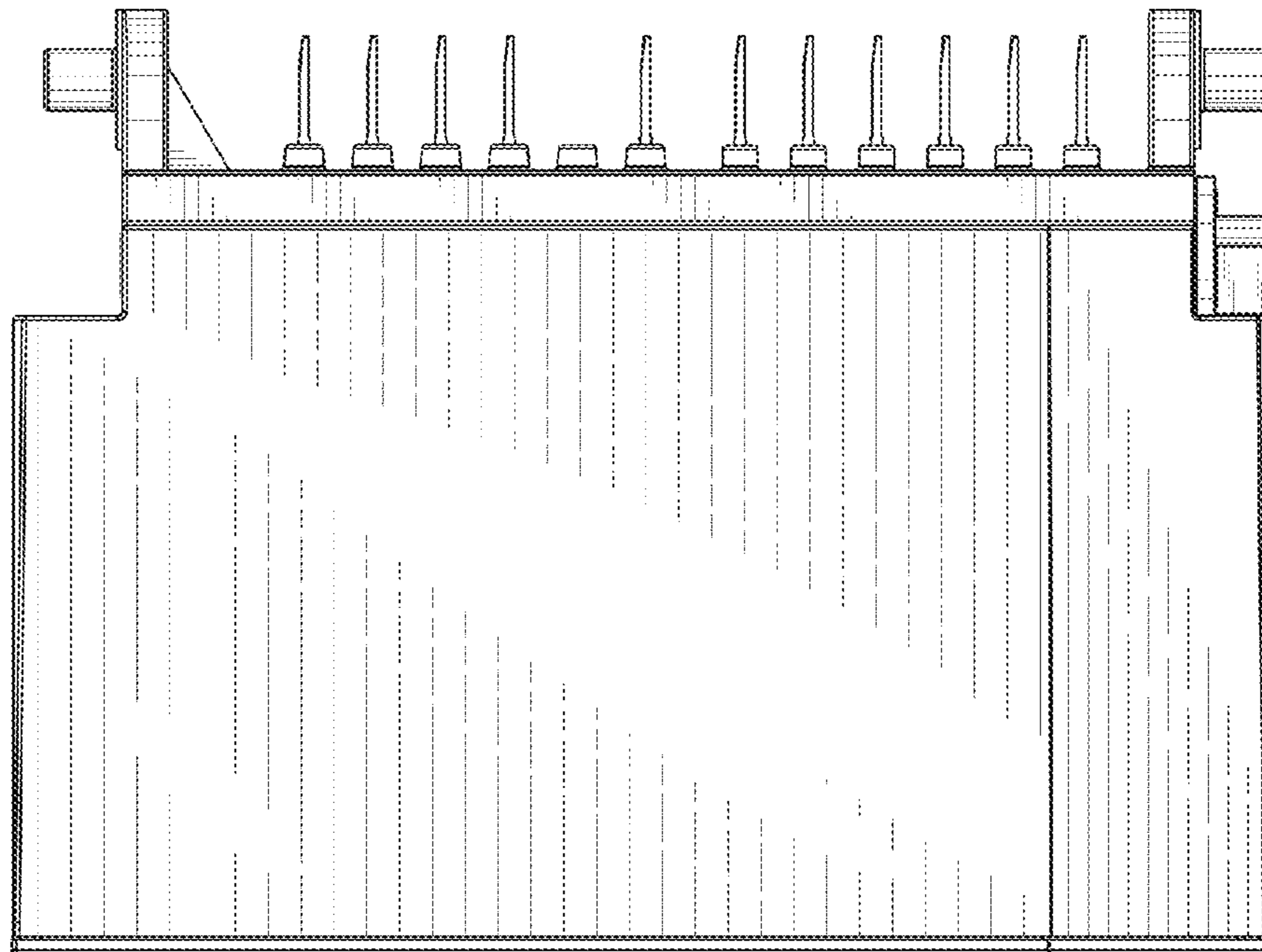


Fig. 6



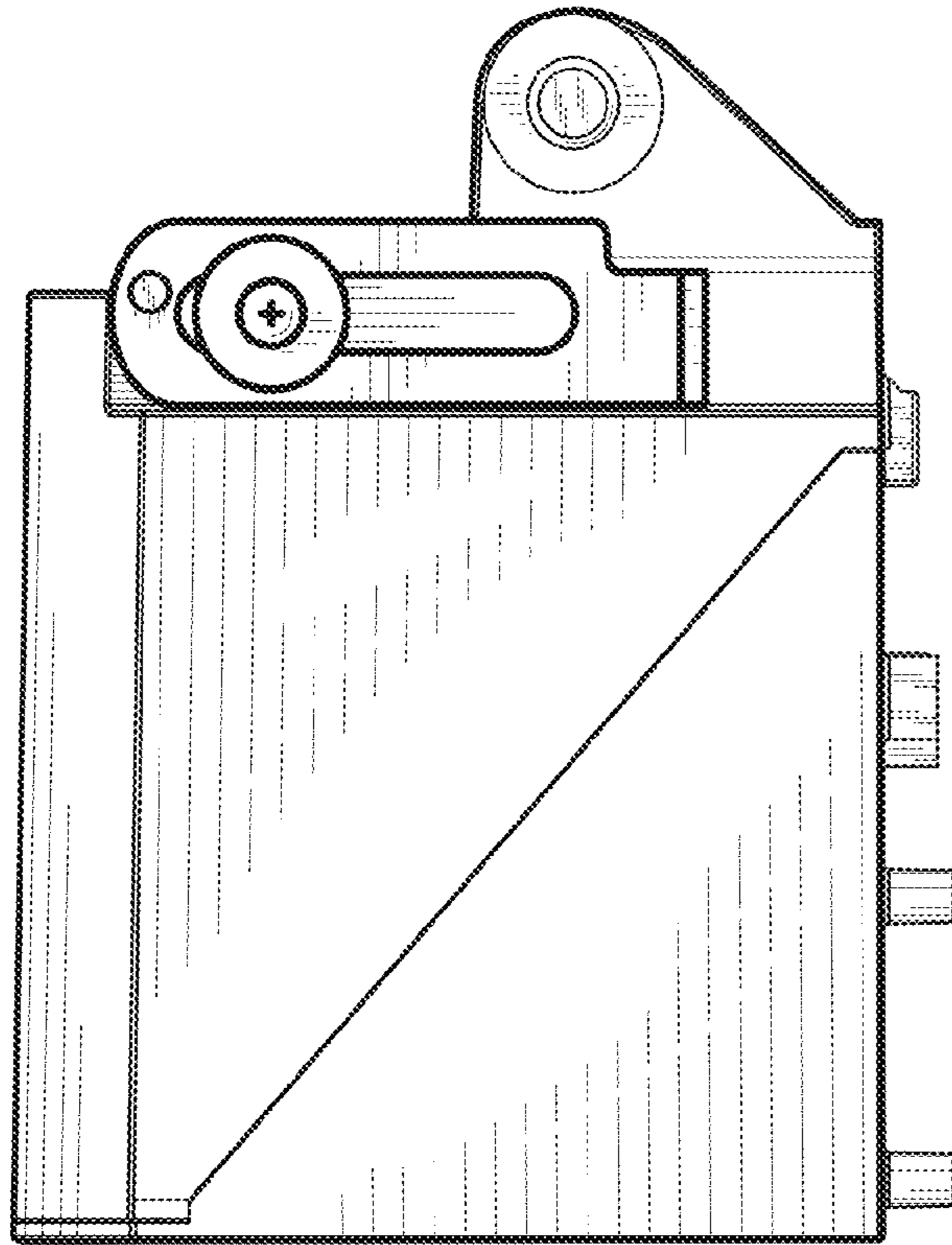


Fig. 7

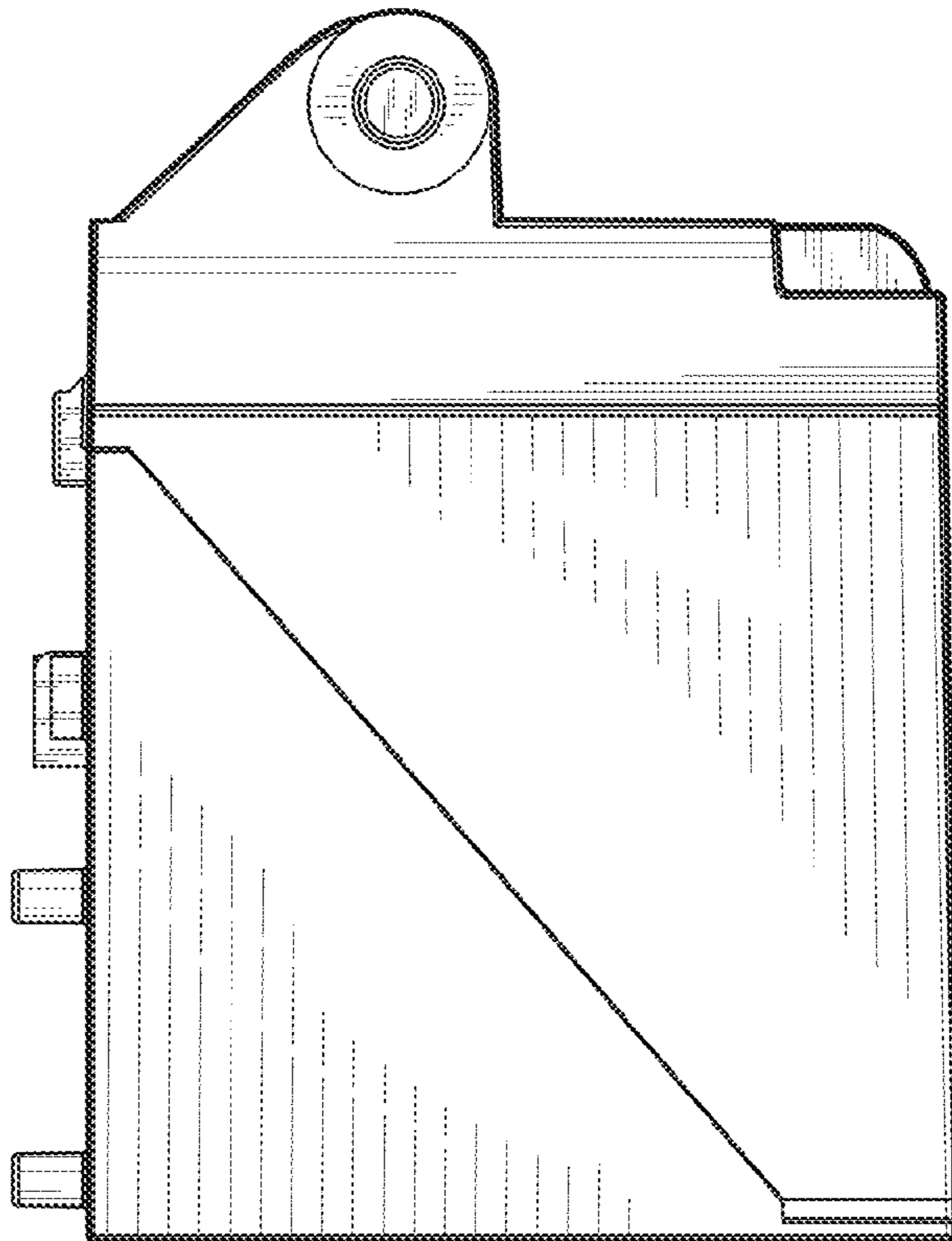


Fig. 8