



US00D738359S

(12) **United States Design Patent**
Ryu et al.

(10) **Patent No.:** **US D738,359 S**
(45) **Date of Patent:** **** Sep. 8, 2015**

- (54) **STAND FOR TV RECEIVER**
- (71) Applicant: **LG ELECTRONICS INC.**, Seoul (KR)
- (72) Inventors: **Junghan Ryu**, Seoul (KR); **Junghoon Lee**, Seoul (KR); **Jeongrok Lee**, Seoul (KR); **Chul Lee**, Seoul (KR)
- (73) Assignee: **LG Electronics Inc.**, Seoul (KR)
- (**) Term: **14 Years**
- (21) Appl. No.: **29/509,042**
- (22) Filed: **Nov. 13, 2014**

D548,226 S *	8/2007	Ohba et al.	D14/239
D548,227 S *	8/2007	Wang et al.	D14/239
D548,228 S *	8/2007	Tanigawa et al.	D14/239
D548,229 S *	8/2007	Tanigawa et al.	D14/239
D558,743 S *	1/2008	Isshiki	D14/239
D666,029 S *	8/2012	Chen	D6/708
D691,977 S *	10/2013	Lee et al.	D14/126
D699,713 S *	2/2014	Seong	D14/239
D704,198 S *	5/2014	Kim et al.	D14/447
D709,470 S *	7/2014	Ryu et al.	D14/126
D714,749 S *	10/2014	Park et al.	D14/126
D716,245 S *	10/2014	Kim	D14/126
D719,539 S *	12/2014	Ryu et al.	D14/126
D719,938 S *	12/2014	Kim et al.	D14/239
D723,527 S *	3/2015	Kim et al.	D14/239
D728,538 S *	5/2015	Shin et al.	D14/239

* cited by examiner

(30) **Foreign Application Priority Data**

- May 14, 2014 (KR) 30-2014-0023863
- (51) **LOC (10) Cl.** **14-03**
- (52) **U.S. Cl.**
USPC **D14/239**

(58) **Field of Classification Search**

USPC D14/371-38, 125-129, 336, 337, 448, D14/451, 452, 492, 211, 238, 251, 253, 352, D14/447, 450, 239; 341/12; D6/300, D6/310-313, 308, 708; 348/180, 184, 325, 348/739; 361/679.05-679.07, 679.21; D8/315

CPC G06F 3/0412; G06F 3/016; G06F 3/0488; G06F 3/011; G06F 3/038; G06F 3/03543; G06F 3/0338; G06F 3/0202; G06F 3/0219; G06F 3/0213; G06F 1/1616; G06F 3/023; G06F 3/04883; G02F 1/13338; G02F 1/1313; G02F 1/1333; G02F 1/135; G02F 1/132; G02F 1/133308; G02F 1/134309; G02F 1/13718; G09G 3/3648; G06K 15/1252; B41J 2/465; G03F 7/70291; G02B 27/0172; G02B 5/30; G02B 2027/0118; G02B 27/0101

See application file for complete search history.

(56) **References Cited**

U.S. PATENT DOCUMENTS

- D499,907 S * 12/2004 Zarelius D6/708.23
- D504,362 S * 4/2005 Thompson D12/115

Primary Examiner — Deanna L Pratt

Assistant Examiner — Katie Mroczka

(74) *Attorney, Agent, or Firm* — Birch, Stewart, Kolasch & Birch, LLP

(57) **CLAIM**

The ornamental design for a stand for TV receiver, as shown and described.

DESCRIPTION

FIG. 1 is a front, right side, perspective view of a stand for TV receiver showing our new design;
 FIG. 2 is a front view thereof;
 FIG. 3 is a rear view thereof;
 FIG. 4 is a left side view thereof;
 FIG. 5 is a right side view thereof;
 FIG. 6 is a top view thereof;
 FIG. 7 is a bottom view thereof; and,
 FIG. 8 is a front, right side, perspective view with the TV receiver thereof.

The broken lines in FIG. 8 illustrate the environment of the claimed design and form no part thereof.

1 Claim, 3 Drawing Sheets

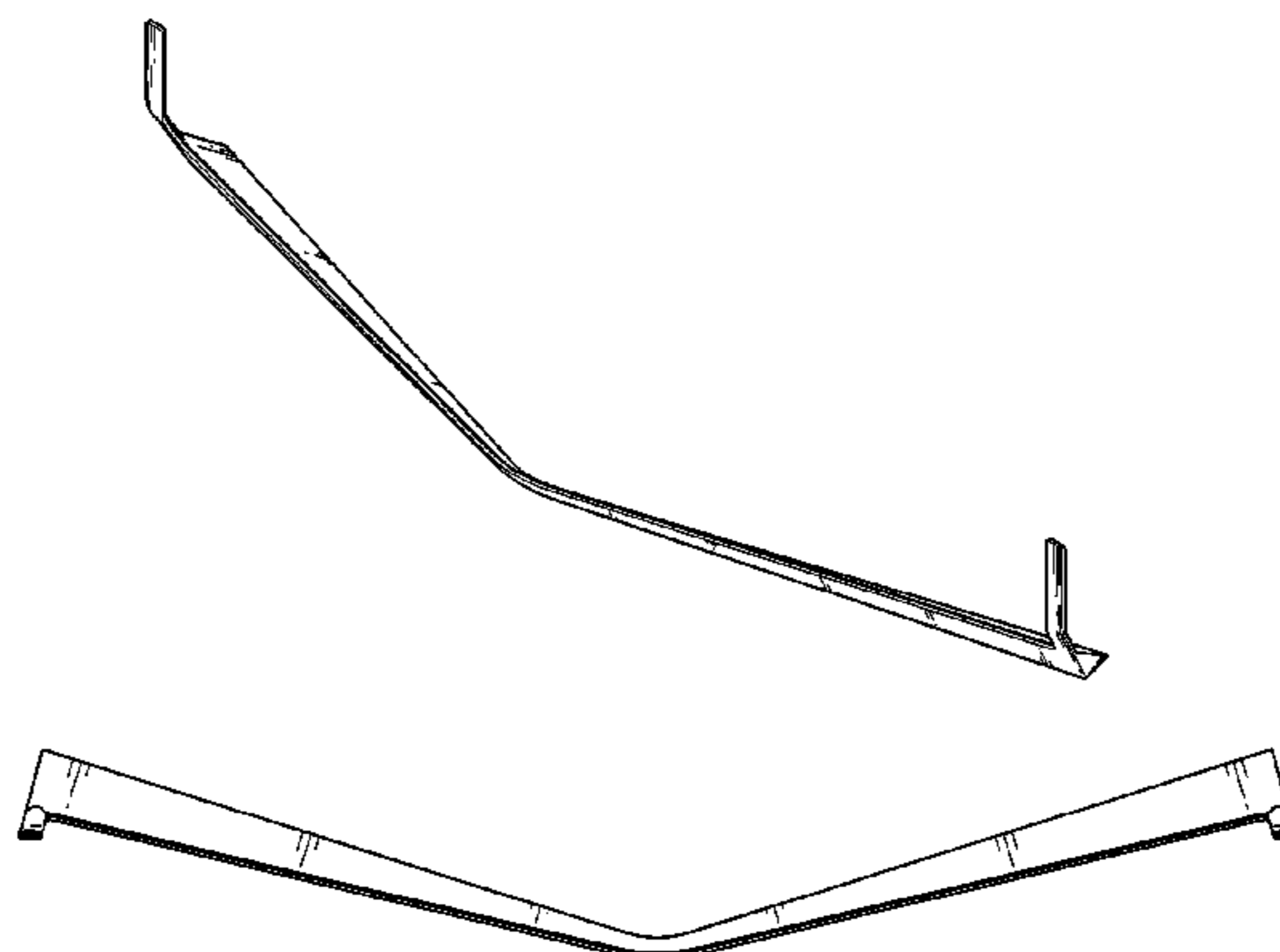


FIG. 1

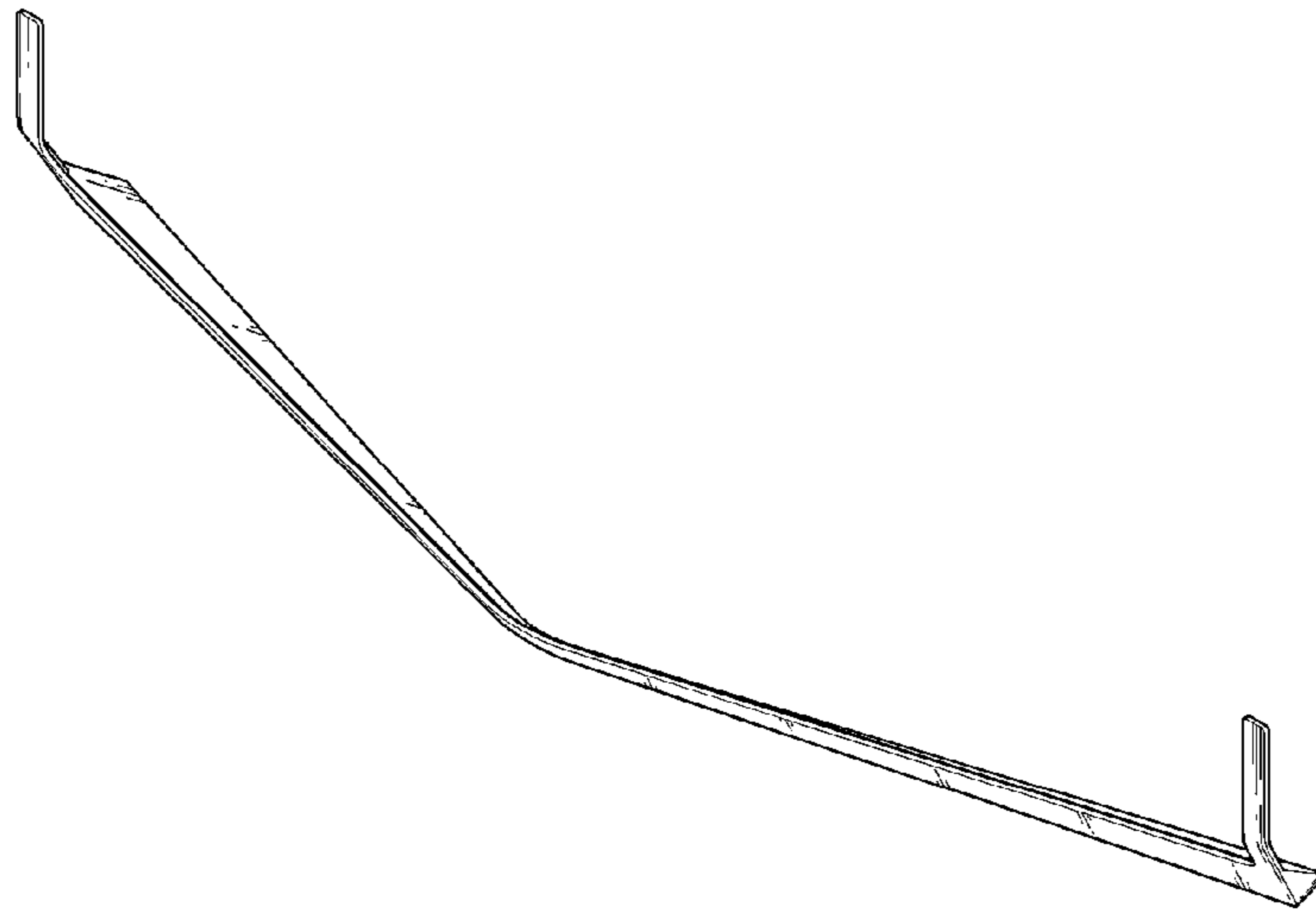


FIG. 2

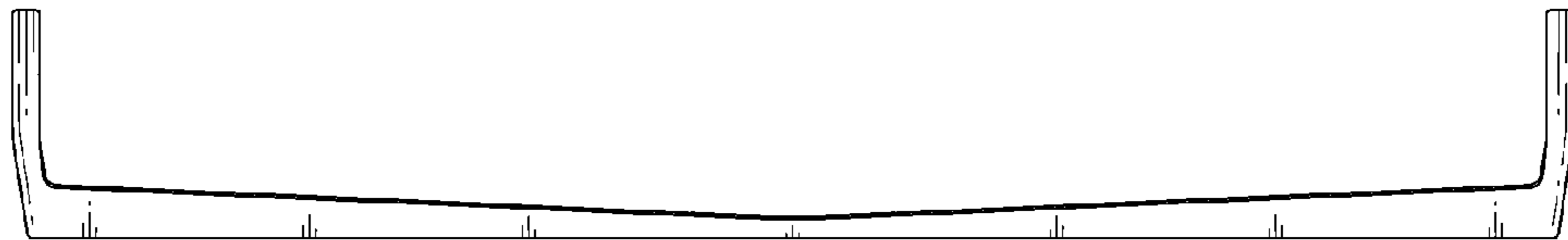


FIG. 3

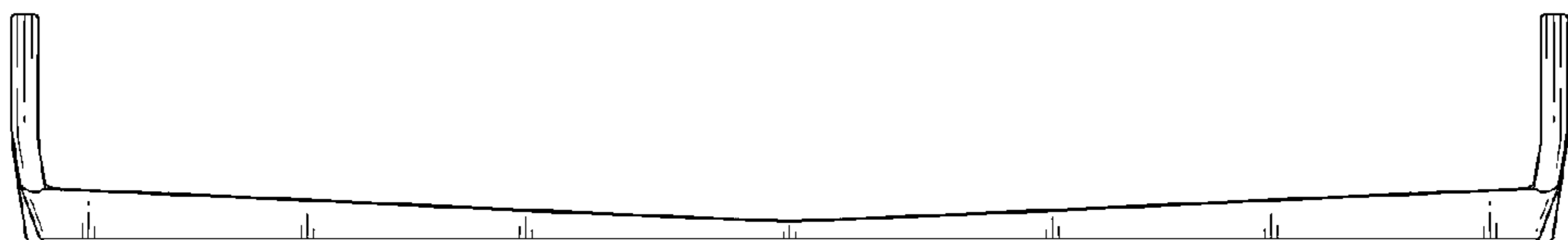


FIG. 4

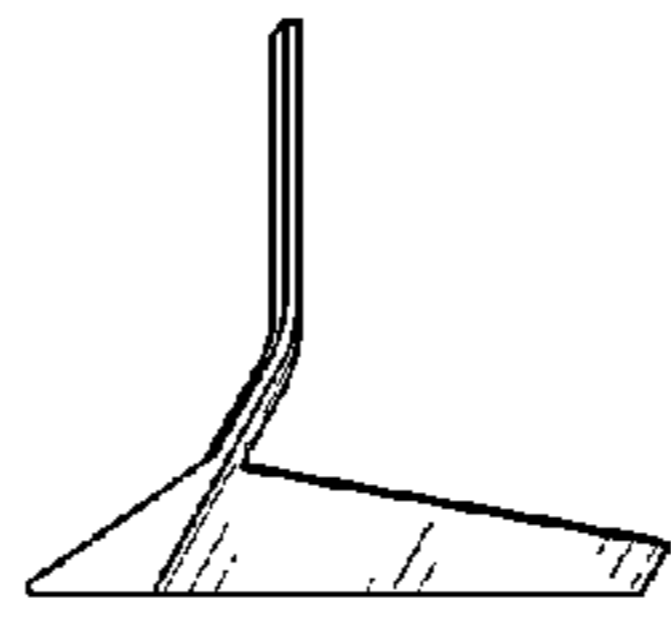


FIG. 5

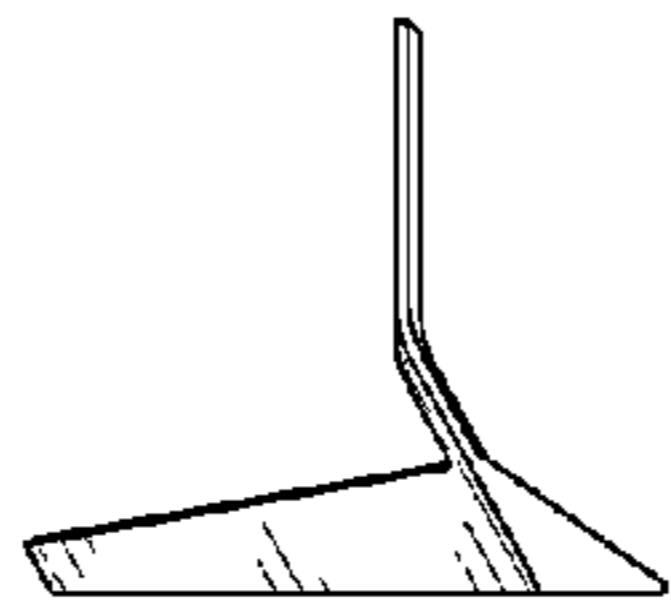


FIG. 6

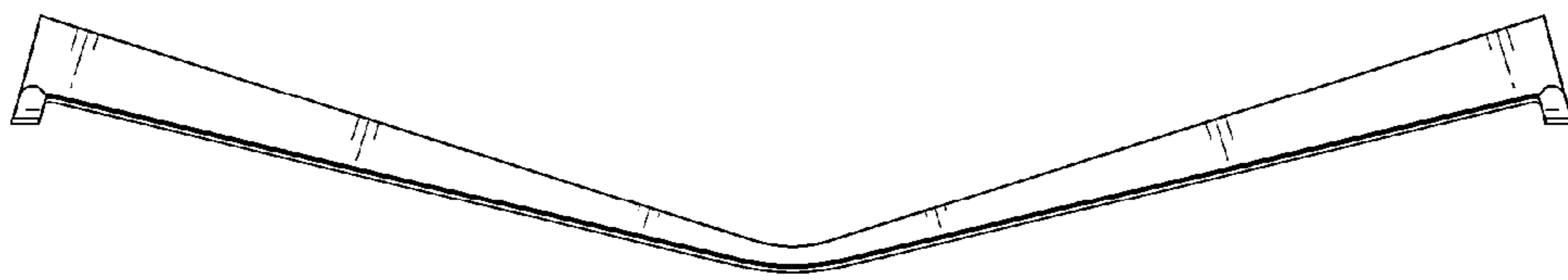


FIG. 7

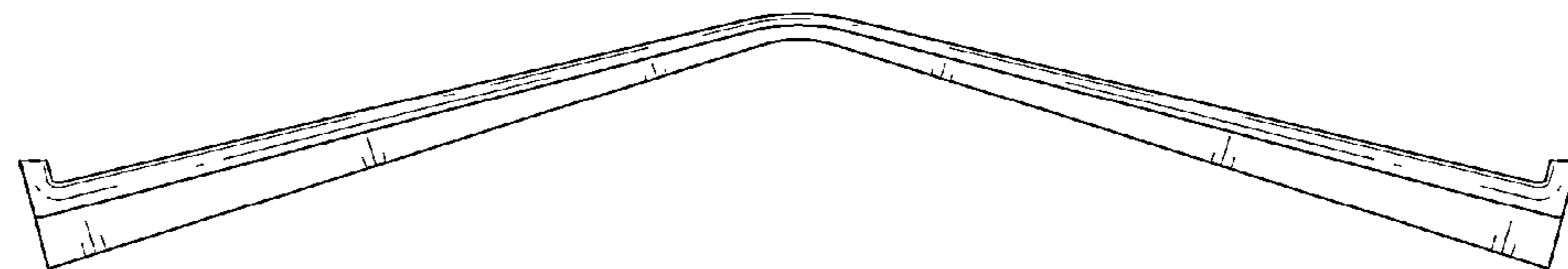


FIG. 8

