



US00D738357S

(12) **United States Design Patent**
Khairudin et al.

(10) **Patent No.:** **US D738,357 S**
(45) **Date of Patent:** **** Sep. 8, 2015**

(54) **WIRELESS REMOTE SPEAKER
MICROPHONE**

(71) Applicant: **MOTOROLA SOLUTIONS, INC.**,
Schaumburg, IL (US)
(72) Inventors: **Khairul Anuar Khairudin**, Gelugor
(MY); **Shirish Kaner**, Persiaran Bayan
Indah (MY); **Kuang Eng Lim**, Sungai
Bakap (MY); **Tang Chin Sen**, Taiping
(MY)
(73) Assignee: **Motorola Solutions, Inc.**, Schaumburg,
IL (US)
(**) Term: **14 Years**

(21) Appl. No.: **29/483,462**

(22) Filed: **Feb. 28, 2014**

(51) **LOC (10) Cl.** **14-01**

(52) **U.S. Cl.**
USPC **D14/226**

(58) **Field of Classification Search**
USPC D14/221, 225, 226, 228, 229, 137, 155,
D14/158, 159, 185, 186, 188, 191, 192, 204,
D14/210, 212, 214-219, 240, 416;
D21/329, 483; D13/110, 153, 168;
379/368, 430, 431, 433, 433.02, 419,
379/428, 440, 441, 442, 426, 454, 455;
381/91, 122, 161, 163, 191, 355, 357,
381/358, 361; D10/106.1
CPC H04R 1/08; H04R 11/04; H04R 25/04;
H04R 25/65; H04B 1/00; H04B 1/38; H04B
1/3805; H04B 1/3816; H04B 1/3822; H04B
1/3827; H04B 1/3833; G06F 3/03549; G06F
3/0354

See application file for complete search history.

(56) **References Cited**

U.S. PATENT DOCUMENTS

D203,187	S	*	12/1965	Deschamps	D14/225
4,199,721	A	*	4/1980	Ono et al.	455/77
5,249,235	A	*	9/1993	Davis et al.	381/91
D346,804	S	*	5/1994	Tokiyama	D14/226
D415,767	S		10/1999	Page et al.		
D459,718	S		7/2002	Ma et al.		
D483,352	S		12/2003	Witezak et al.		
D530,313	S		10/2006	Leng et al.		
D662,090	S		6/2012	Richards et al.		
D663,277	S	*	7/2012	Yong et al.	D14/137
D711,346	S	*	8/2014	Ismail et al.	D14/191
D717,291	S	*	11/2014	Klein	D14/255
D718,746	S	*	12/2014	Tran et al.	D14/226
D718,747	S	*	12/2014	Tran et al.	D14/226
D721,050	S	*	1/2015	Kaner et al.	D14/137
D725,085	S	*	3/2015	Barker et al.	D14/226
2014/0028540	A1	*	1/2014	Duran et al.	345/156

* cited by examiner

Primary Examiner — Susan Bennett Hattan

Assistant Examiner — Marie Fast Horse

(74) *Attorney, Agent, or Firm* — Barbara R. Doutre

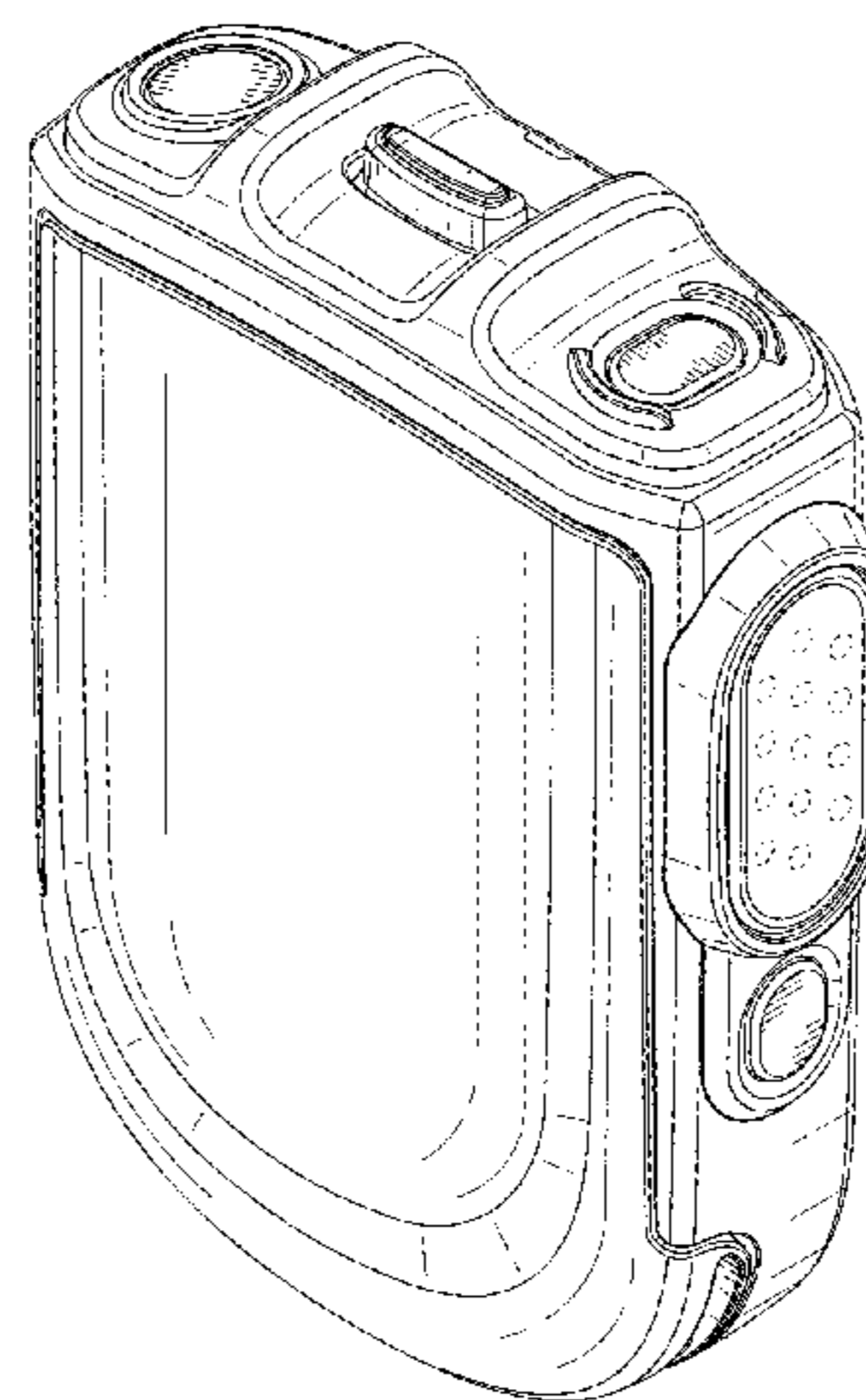
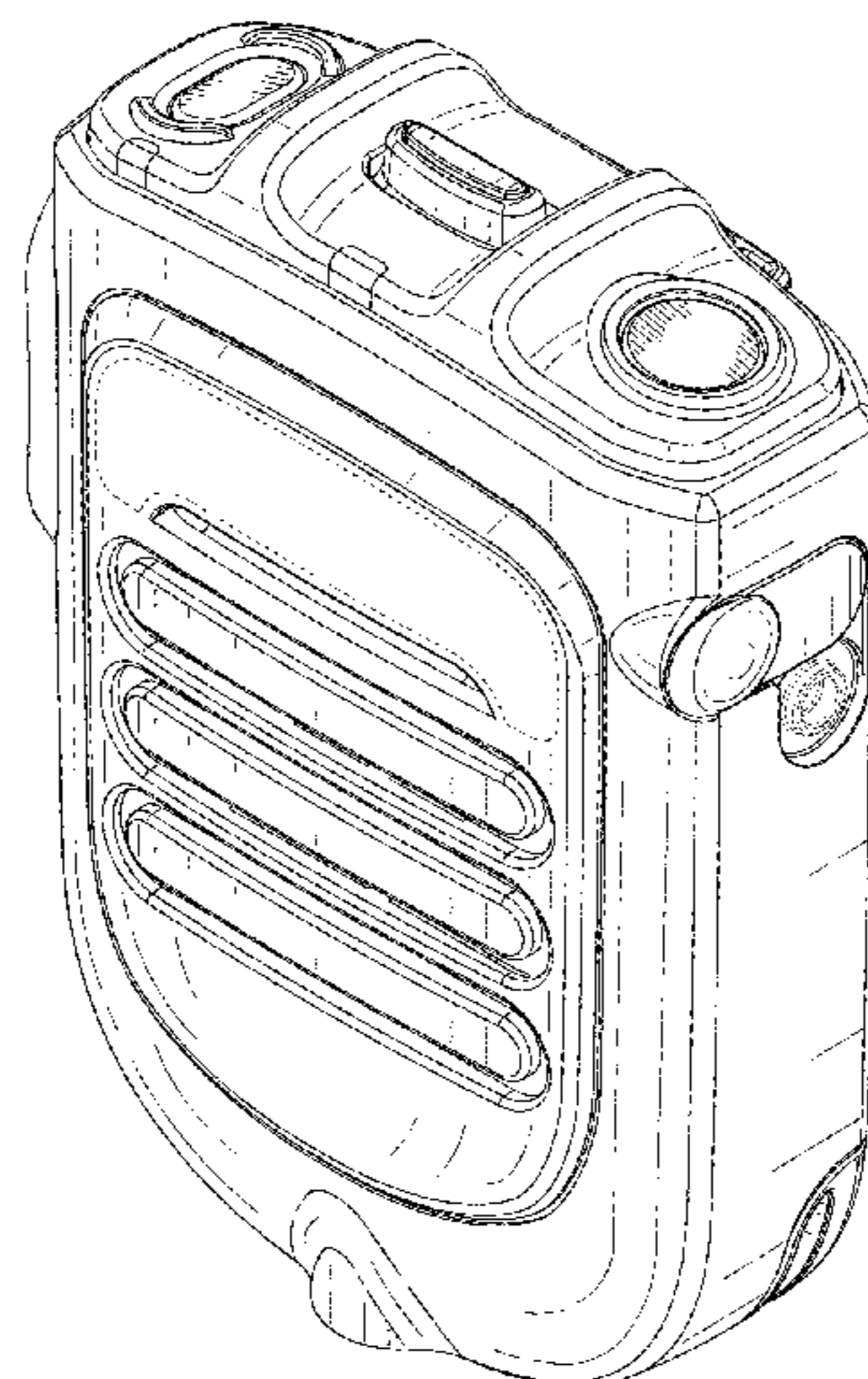
(57) **CLAIM**

The ornamental design for a wireless remote speaker microphone, as shown and described.

DESCRIPTION

FIG. 1 is a front perspective view of an ornamental design for a wireless remote speaker microphone; FIG. 2 is a rear perspective view thereof; FIG. 3 is a front view thereof; FIG. 4 is a rear view thereof; FIG. 5 is a first side view thereof; FIG. 6 is a second side view thereof; FIG. 7 is a top view thereof; and, FIG. 8 is a bottom view thereof. The broken lines shown in FIGS. 1-8 are included for the purpose of illustrating environmental elements only and form no part of the claimed design.

1 Claim, 6 Drawing Sheets



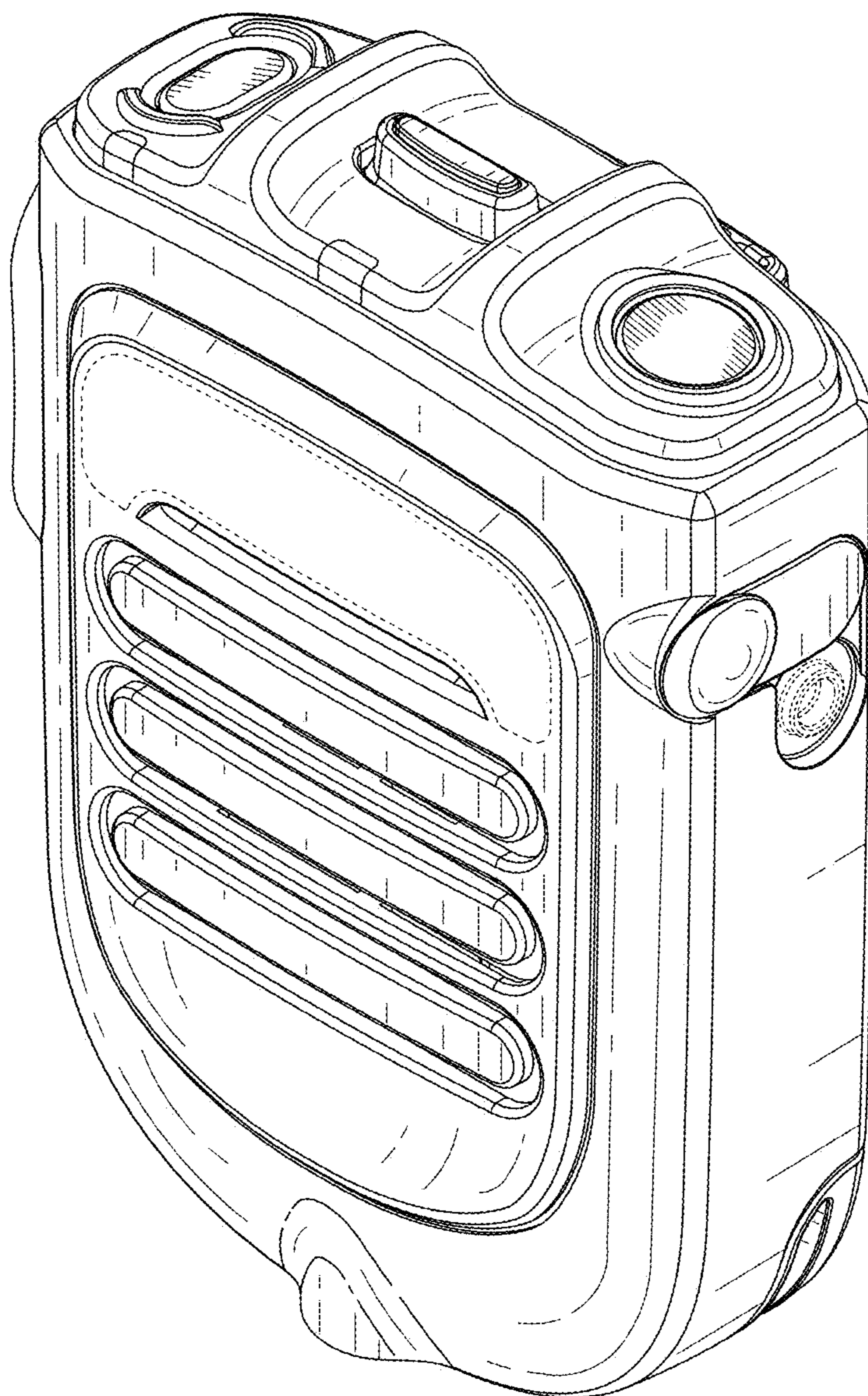


FIG. 1

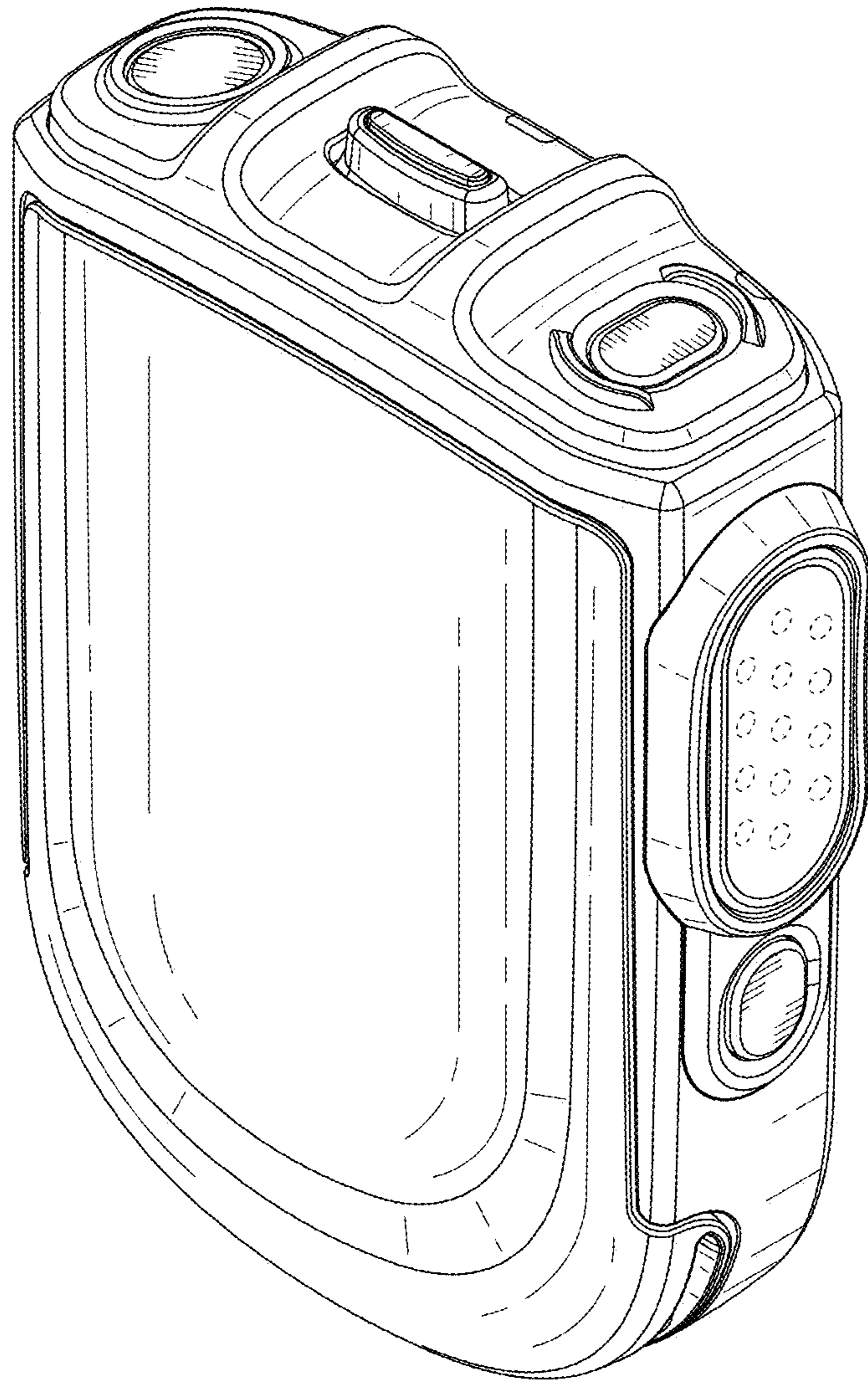


FIG. 2

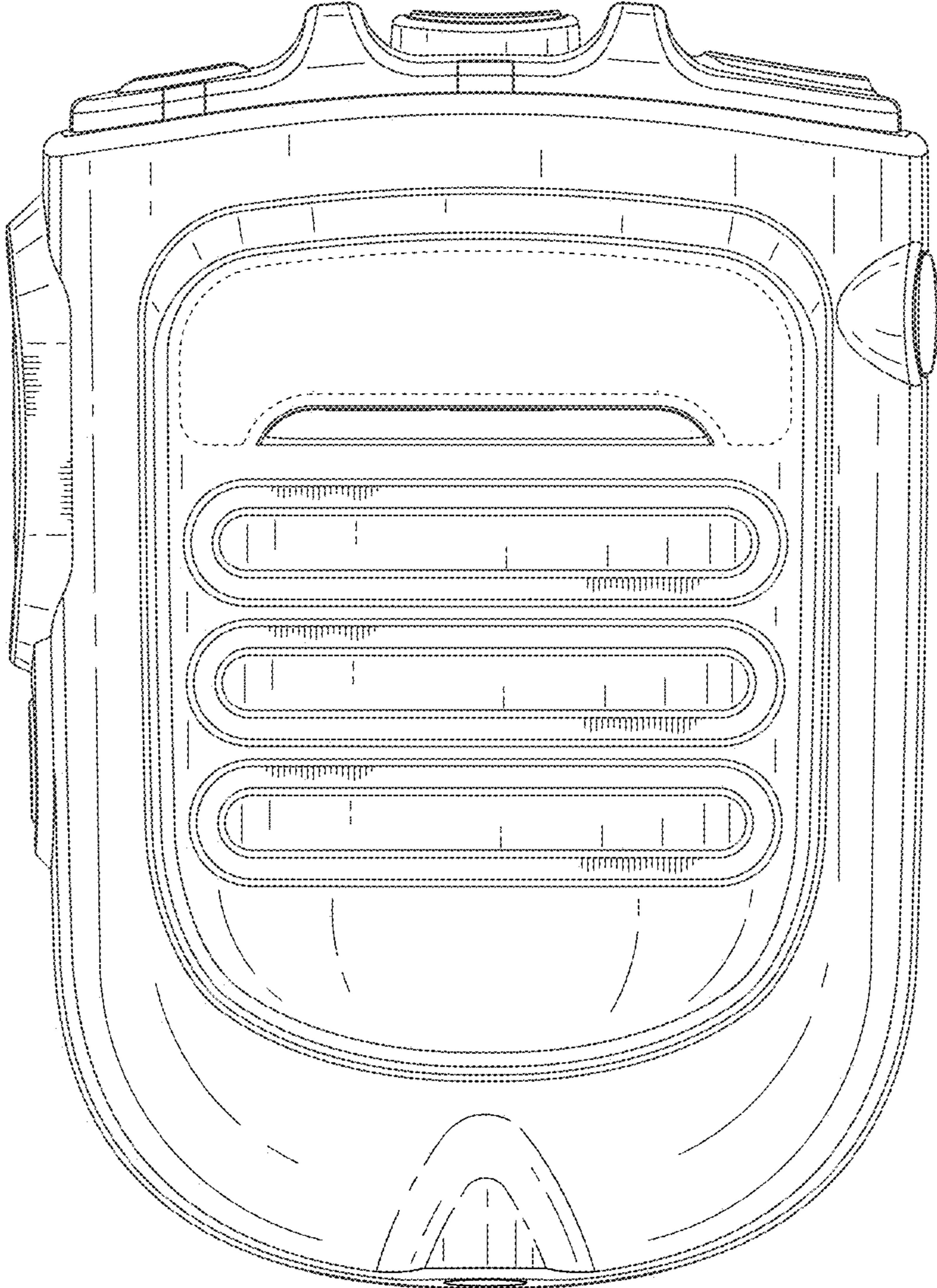


FIG. 3

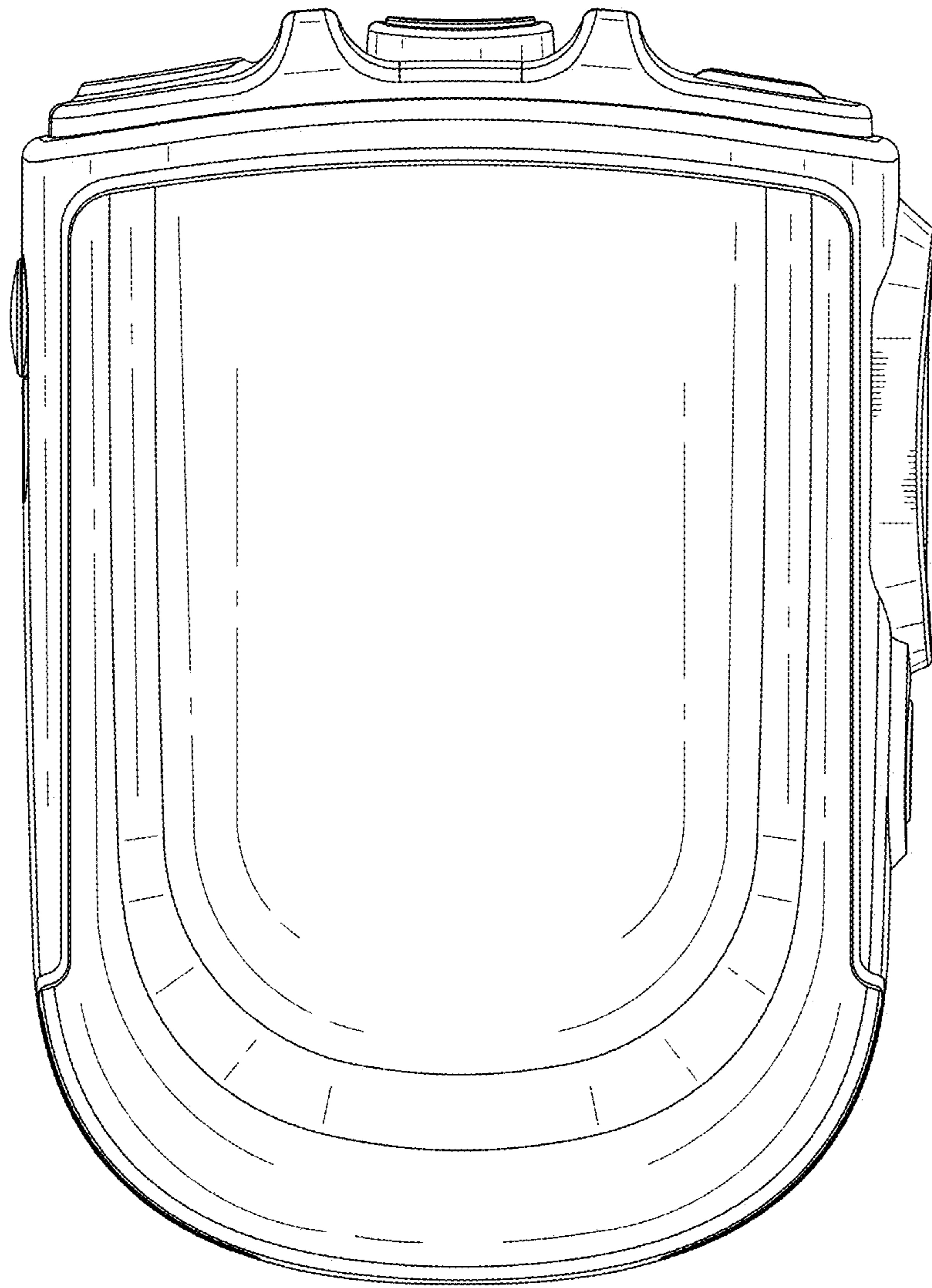


FIG. 4

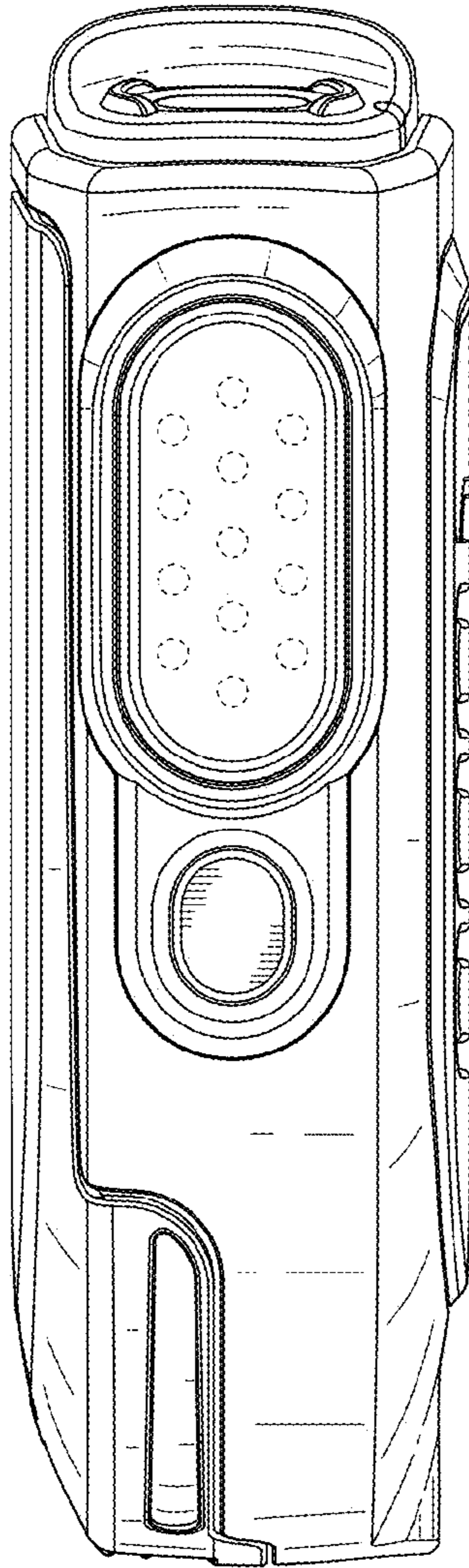


FIG. 5

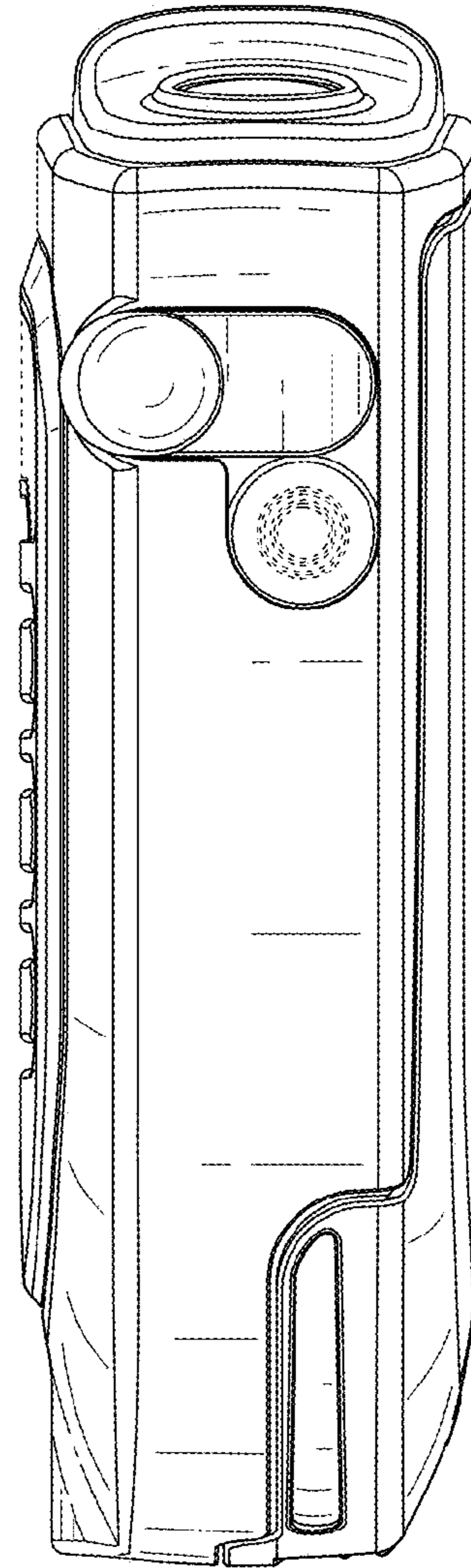


FIG. 6

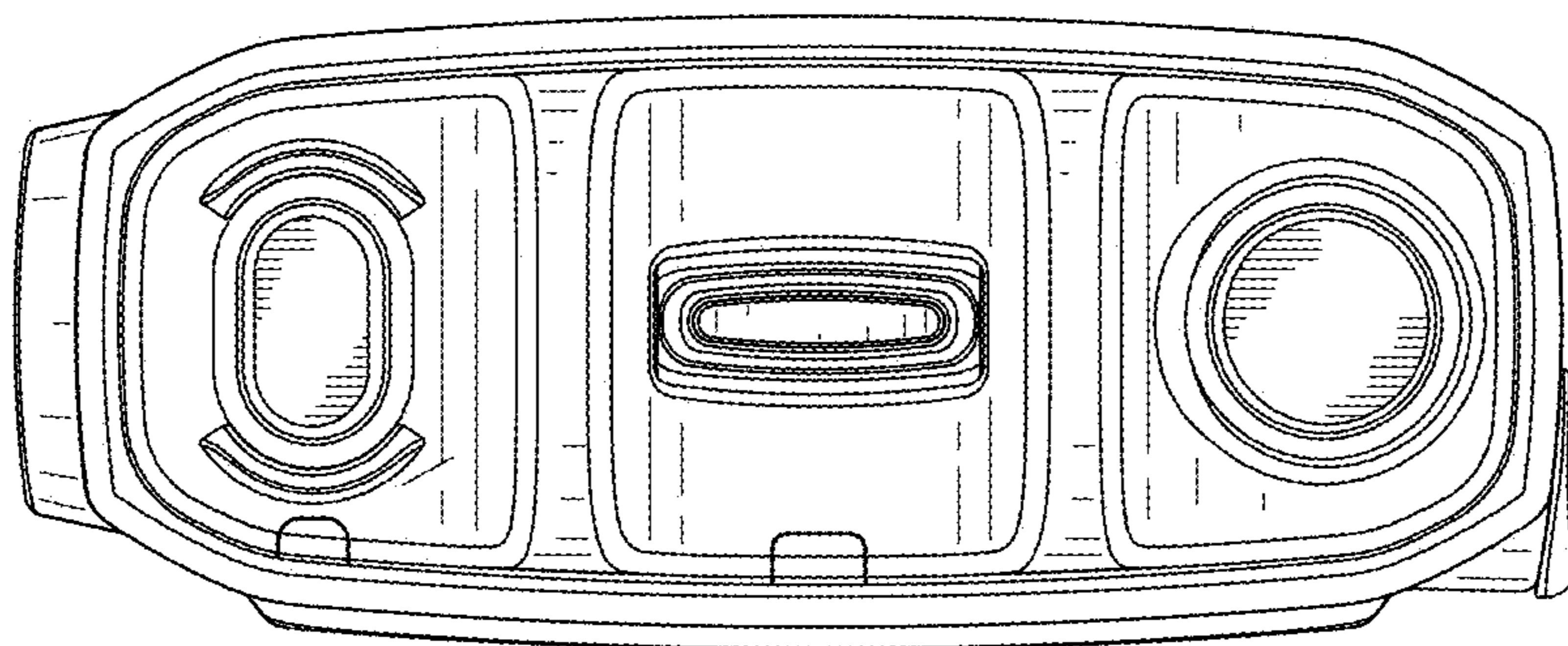


FIG. 7

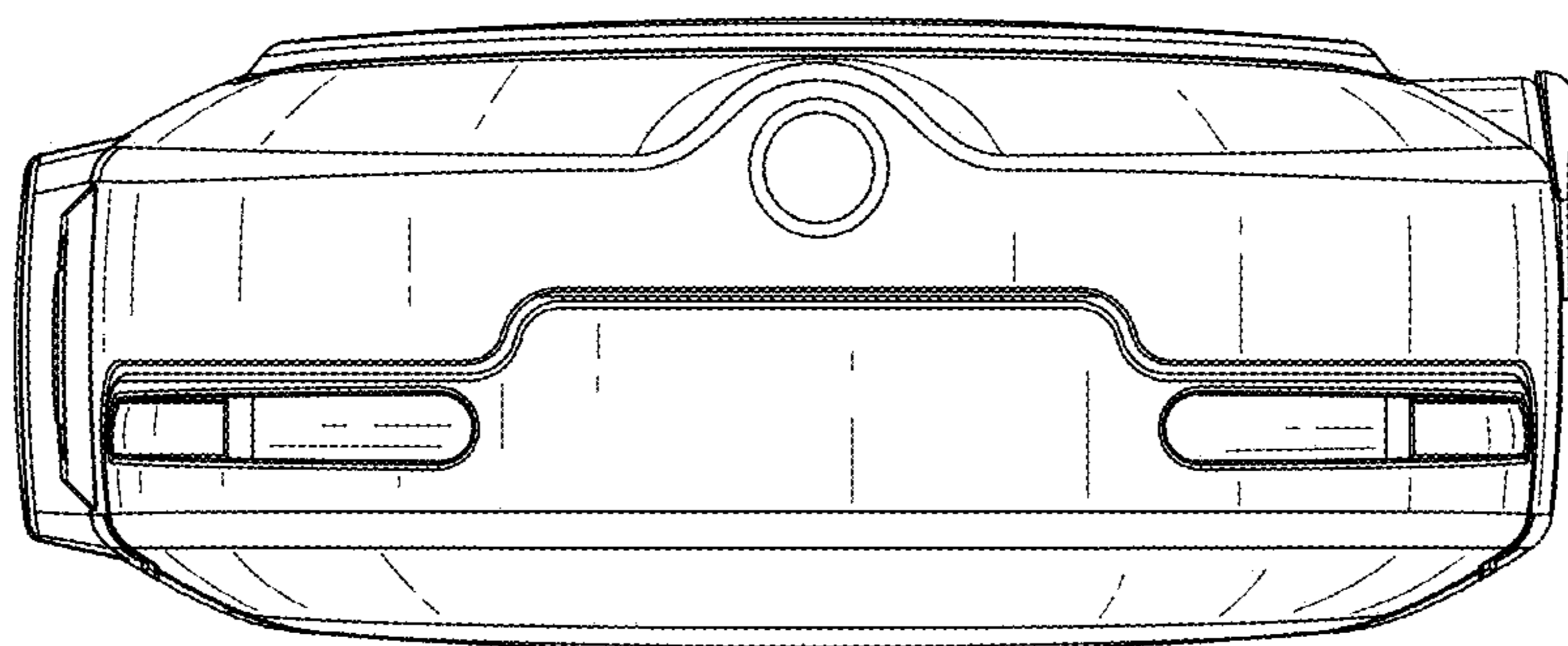


FIG. 8