



US00D738356S

(12) **United States Design Patent**  
**Yamada**

(10) **Patent No.:** **US D738,356 S**

(45) **Date of Patent:** **\*\* Sep. 8, 2015**

(54) **SPEAKER**

(71) Applicant: **ZORZO CO., LTD.**, Tokyo (JP)

(72) Inventor: **Teppei Yamada**, Tokyo (JP)

(73) Assignee: **ZORZO CO., LTD.**, Tokyo (JP)

(\*\*) Term: **14 Years**

(21) Appl. No.: **29/500,073**

(22) Filed: **Aug. 21, 2014**

(30) **Foreign Application Priority Data**

Jul. 1, 2014 (JP) ..... 2014-014475

(51) **LOC (10) Cl.** ..... **14-03**

(52) **U.S. Cl.**  
USPC ..... **D14/224**; D14/215

(58) **Field of Classification Search**  
USPC ..... D14/167, 168, 170-172, 188, 194-196,  
D14/204, 207, 209.1, 210-216, 219, 221,  
D14/222, 224, 496; 181/143, 144, 147, 148,  
181/150, 153, 157, 198, 199; 381/300-303,  
381/306, 332, 333, 336, 345, 361-364,  
381/386-388; 369/6-12

CPC .... B60R 11/0217; G06F 1/1688; H04M 1/03;  
H04M 1/035; H04R 1/02; H04R 1/06; H04R  
1/021; H04R 1/025; H04R 1/026; H04R  
1/028; H04R 1/105; H04R 1/323; H04R  
1/403; H04R 1/2803; H04R 1/2834; H04R  
5/02; H04R 7/20; H04R 9/06; H04R 9/025;  
H04R 2201/021; H04R 2400/00; H04R

2400/07; H04R 2499/11; H04R 2499/13;  
H04R 2499/15; H04S 3/00; H04S 7/30

See application file for complete search history.

(56) **References Cited**

U.S. PATENT DOCUMENTS

D264,463 S \* 5/1982 Ward ..... D14/214  
D264,464 S \* 5/1982 Ward ..... D14/214  
D546,813 S \* 7/2007 Lewis ..... D14/168  
D621,814 S \* 8/2010 Graber ..... D14/212  
D693,794 S \* 11/2013 Nauroy ..... D14/214

FOREIGN PATENT DOCUMENTS

JP 02-100500 4/1990

\* cited by examiner

*Primary Examiner* — Keli L Hill

(74) *Attorney, Agent, or Firm* — Wenderoth, Lind & Ponack,  
L.L.P.

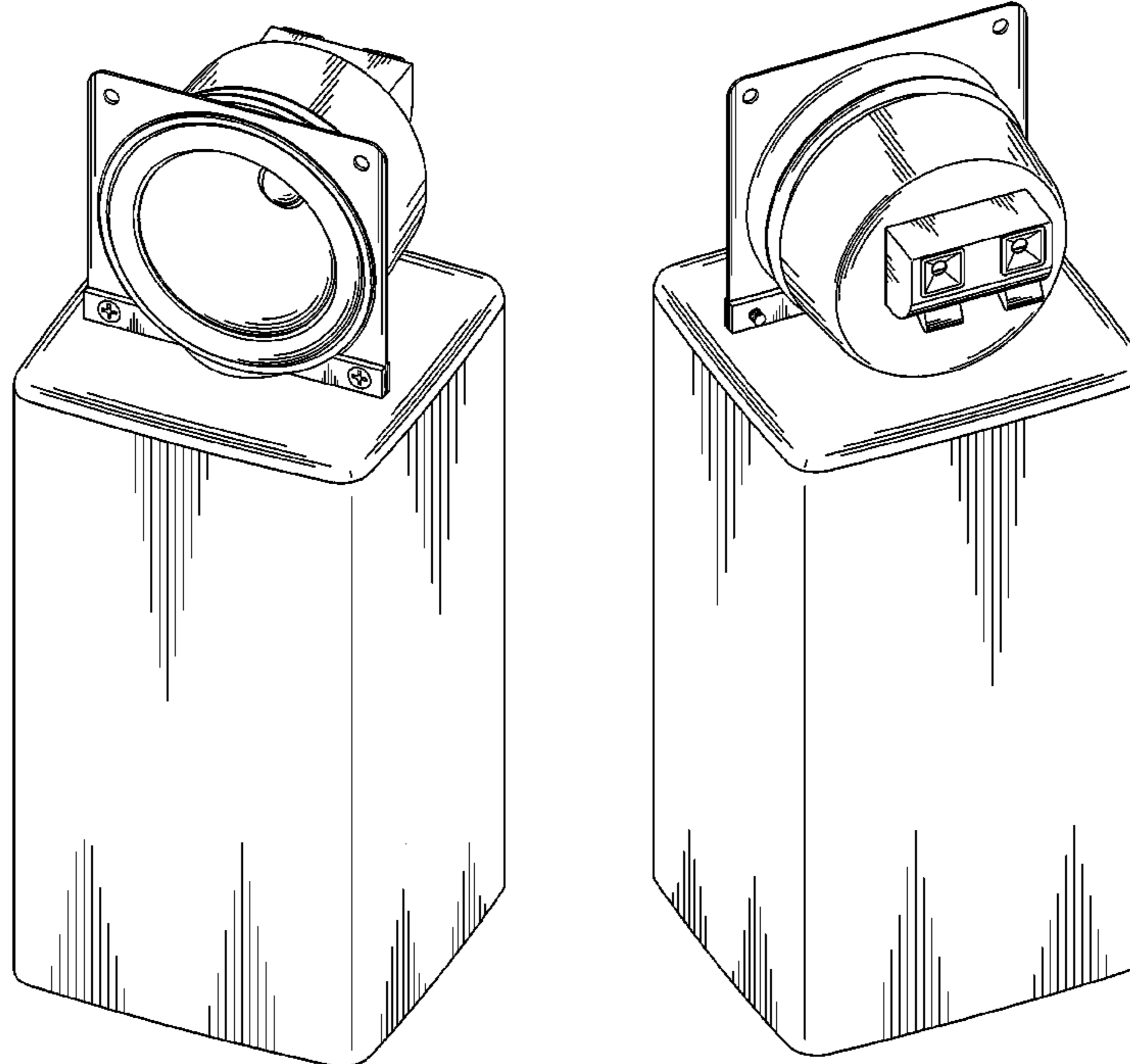
(57) **CLAIM**

The original design for speaker, as shown and described.

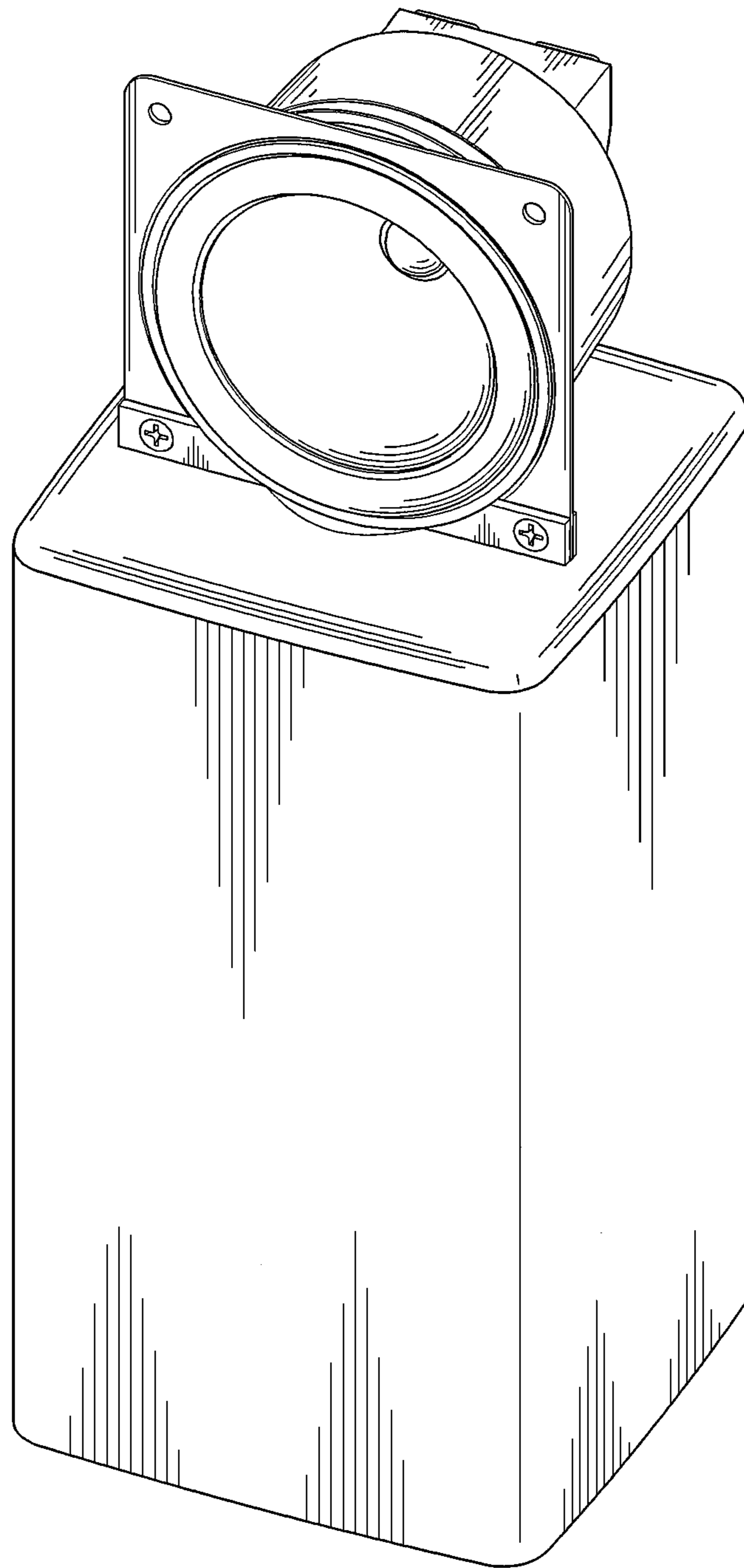
**DESCRIPTION**

FIG. 1 is a front, top and right side perspective view of the speaker showing my new design;  
FIG. 2 is a rear, top and right side perspective view thereof;  
FIG. 3 is a front elevational view thereof;  
FIG. 4 is a rear elevational view thereof;  
FIG. 5 is a top plan view thereof;  
FIG. 6 is a bottom plan view thereof;  
FIG. 7 is a right side elevational view thereof; and,  
FIG. 8 is a left side elevational view thereof.

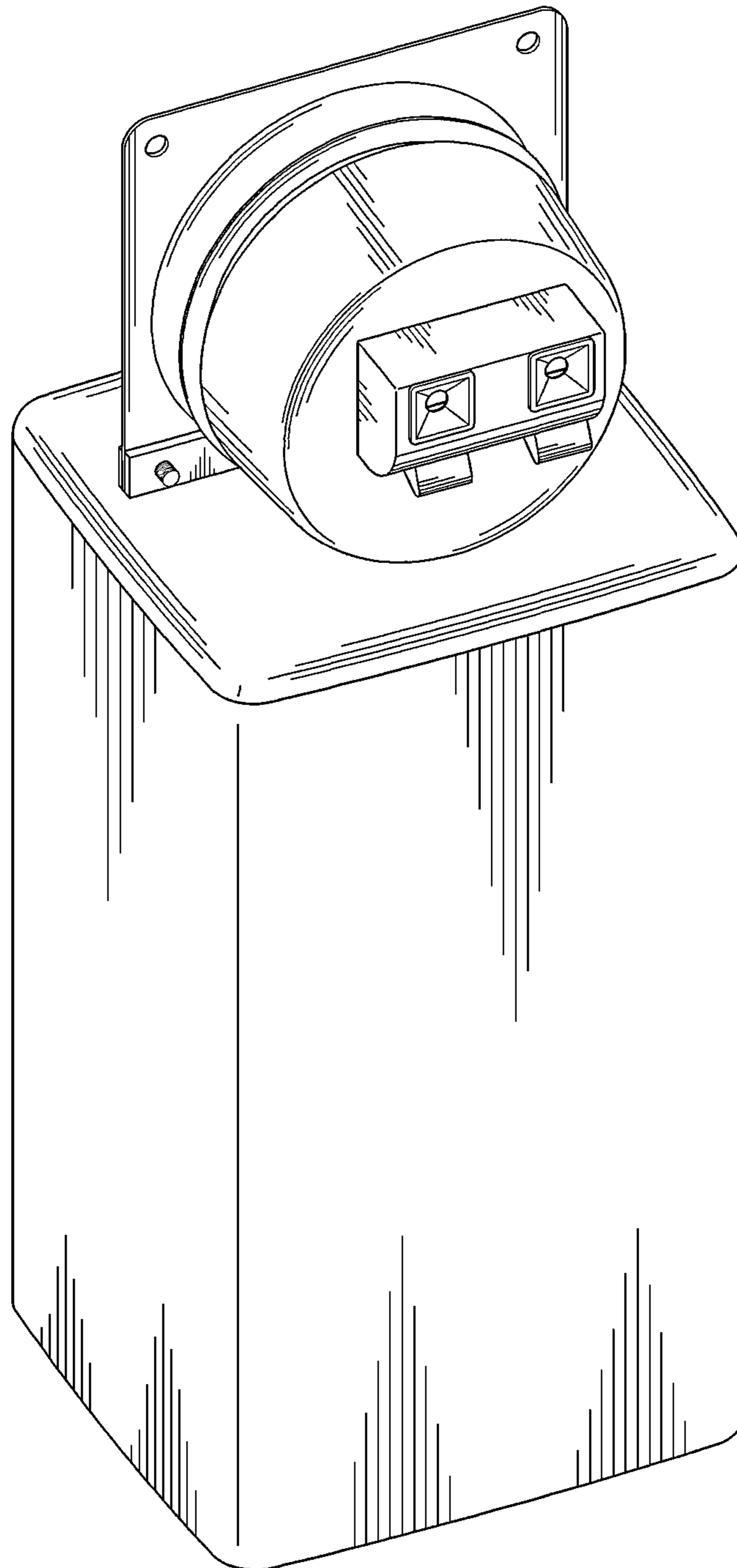
**1 Claim, 7 Drawing Sheets**



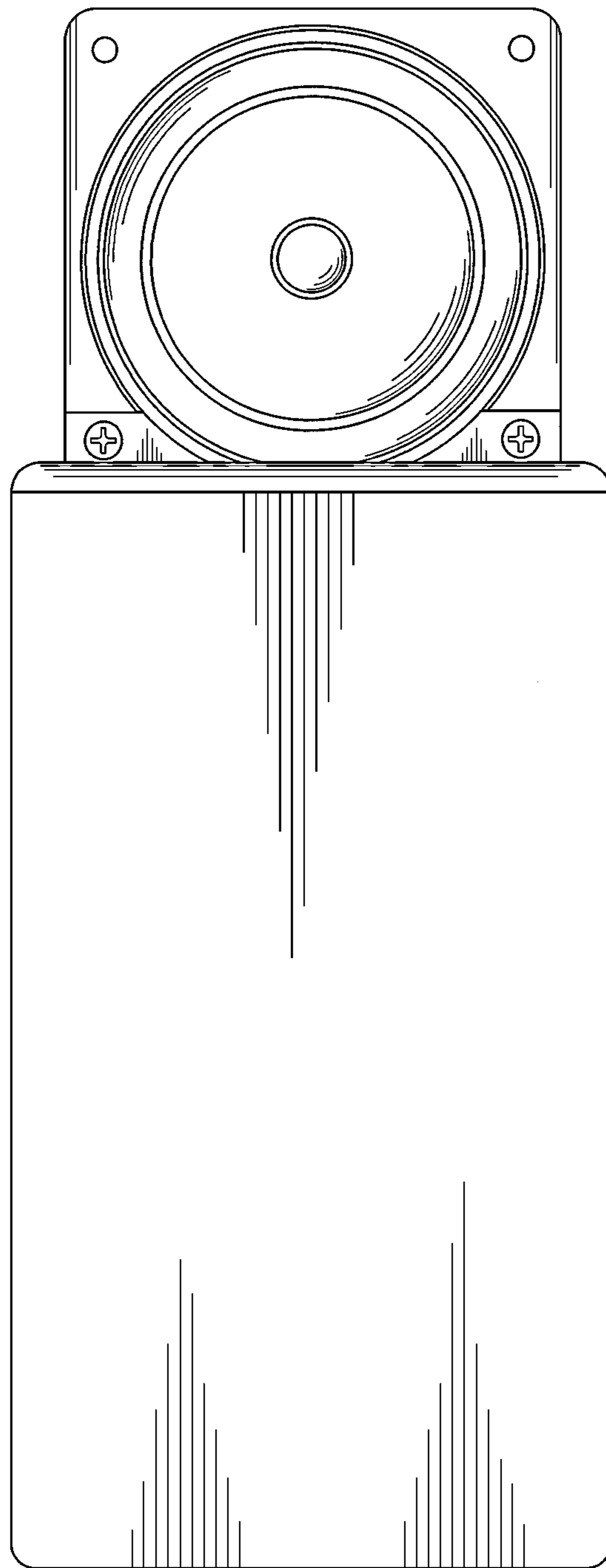
**FIG. 1**



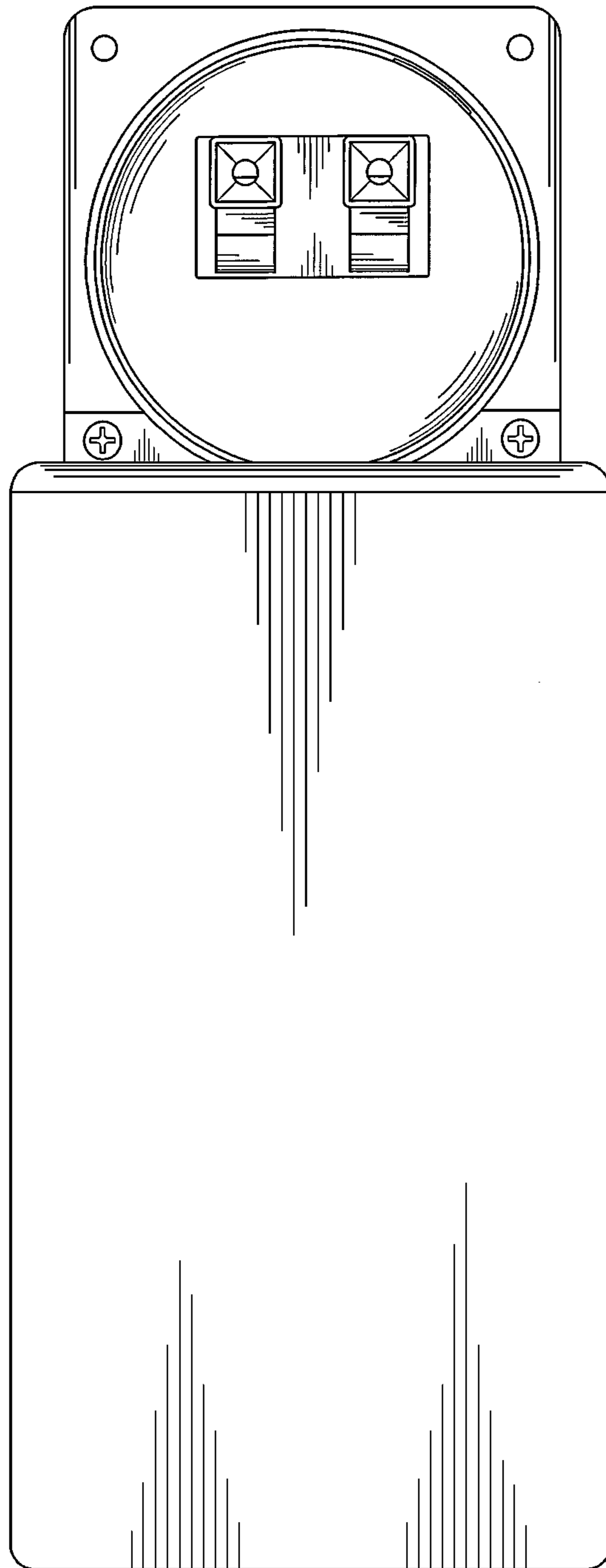
**FIG.2**



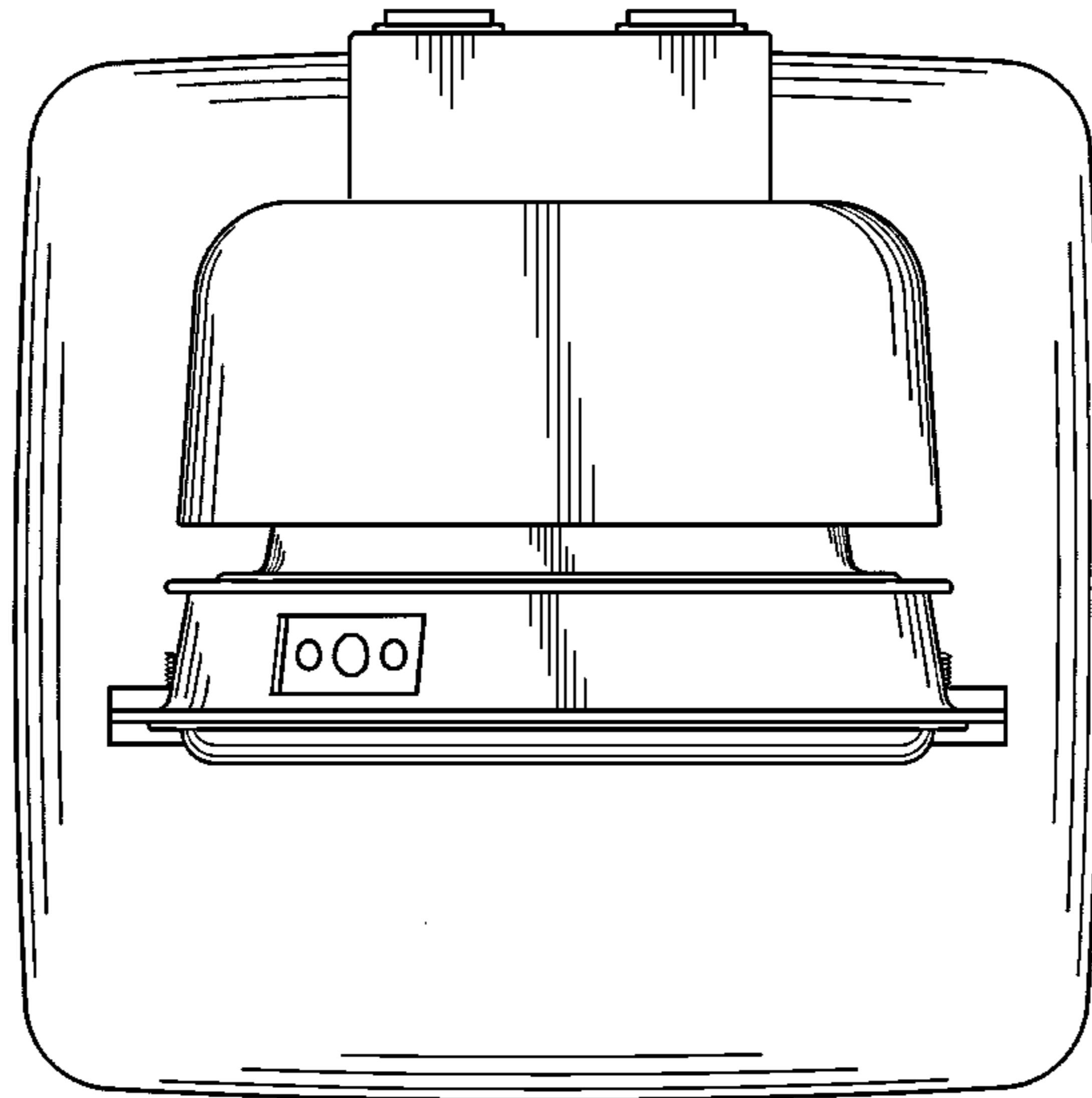
**FIG.3**



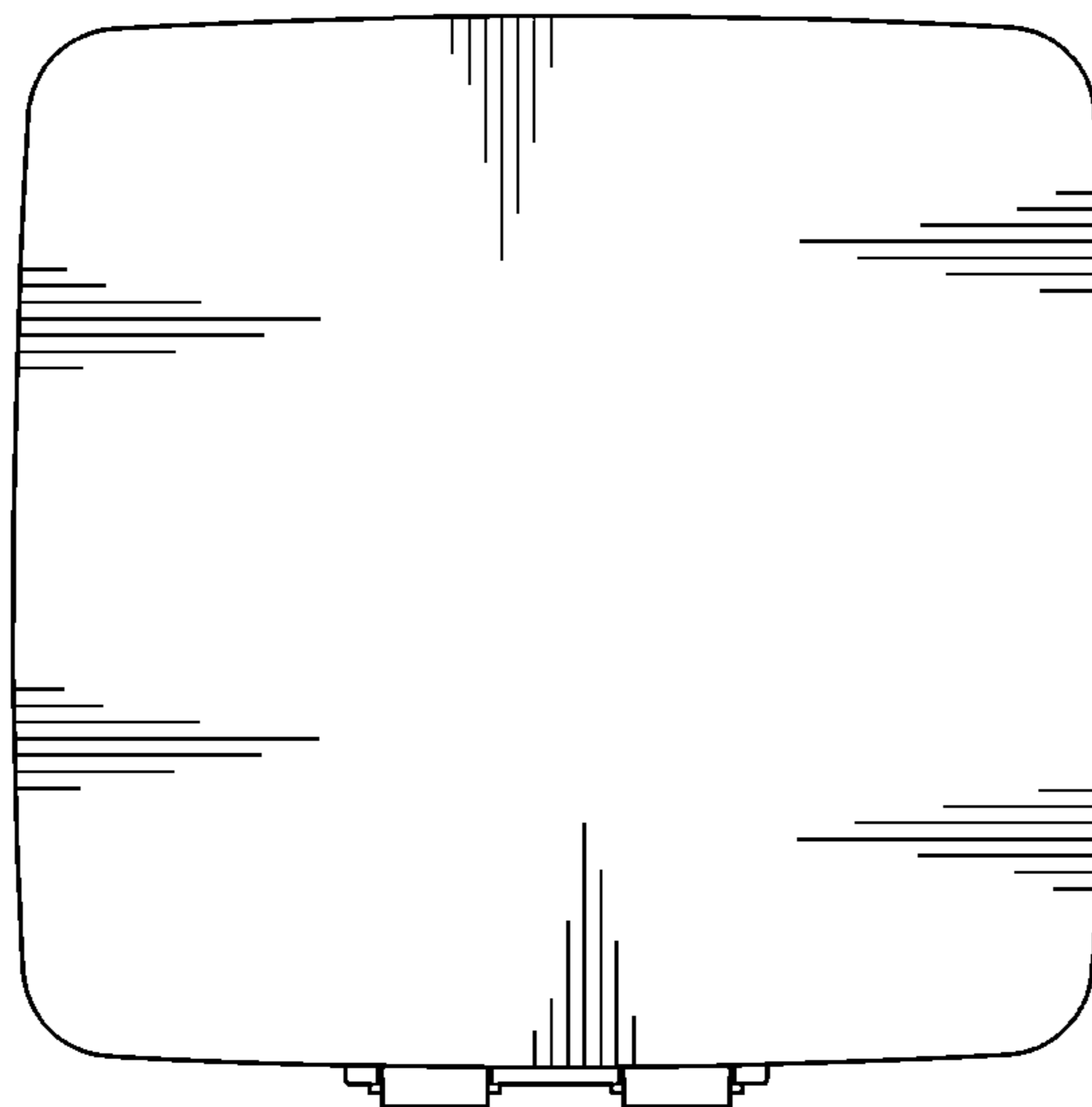
**FIG.4**



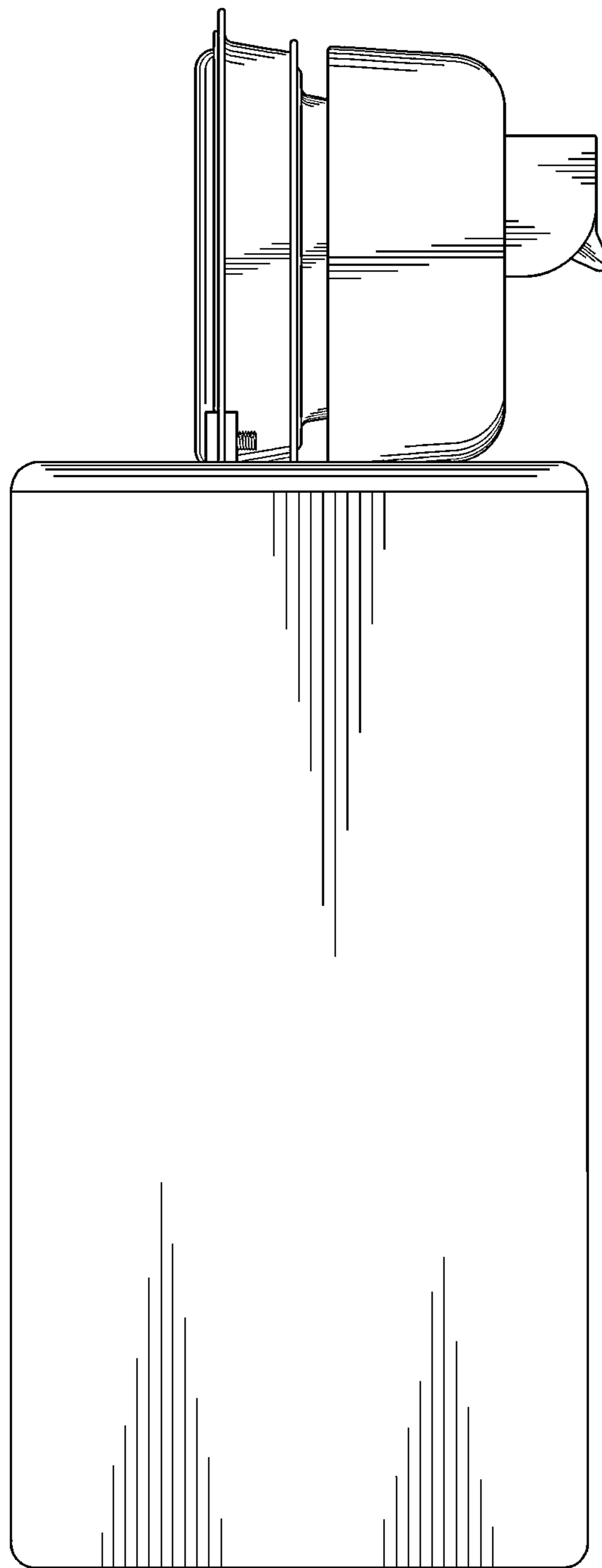
**FIG.5**



**FIG.6**



**FIG.7**



**FIG. 8**

