



US00D738354S

(12) **United States Design Patent**
Morrison

(10) **Patent No.:** **US D738,354 S**

(45) **Date of Patent:** **** Sep. 8, 2015**

(54) **REMOTELY LOCATED CONTROLLER**

(71) Applicant: **Church of Spiritual Technology**, Los Angeles, CA (US)

(72) Inventor: **Reiko Morrison**, Westlake Village, CA (US)

(73) Assignee: **Church of Spiritual Technology**, Hollywood, CA (US)

(**) Term: **14 Years**

(21) Appl. No.: **29/452,208**

(22) Filed: **Apr. 12, 2013**

(51) **LOC (10) Cl.** **14-03**

(52) **U.S. Cl.**
USPC **D14/218**

(58) **Field of Classification Search**
USPC D14/218, 240, 260, 223, 438; D10/40, D10/46; D13/168, 184, 164, 162; D23/354, D23/245; D24/145, 215, 146; D28/9; D9/451, 452, 453; D7/629, 392; 200/38 FB; 307/141.4; 215/334
CPC ... G04C 23/16; D06F 39/005; B65D 41/0492
See application file for complete search history.

(56) **References Cited**

U.S. PATENT DOCUMENTS

D205,856	S	*	9/1966	Beerbaum	D10/40
3,522,393	A	*	7/1970	Rosenski et al.	200/38 FB
D253,234	S	*	10/1979	Cooke	D13/168
4,280,063	A	*	7/1981	Yokomori et al.	307/141.4
D262,619	S	*	1/1982	Antos et al.	D23/354
D341,129	S	*	11/1993	McCormick	D13/168
D352,356	S	*	11/1994	Hirshowitz et al.	D24/145
D396,235	S	*	7/1998	Tate et al.	D14/240
D414,582	S	*	9/1999	Hwang	D28/9
D416,329	S	*	11/1999	Simonin	D24/215
D423,514	S	*	4/2000	Shindo	D14/240

D427,998	S	*	7/2000	Tate et al.	D14/240
D428,408	S	*	7/2000	Tate et al.	D14/240
D433,753	S	*	11/2000	Weiss	D24/145

(Continued)

FOREIGN PATENT DOCUMENTS

CA	67091	*	10/1990
KR	300577368.0000	*	11/2010

OTHER PUBLICATIONS

How TRVs Work for You, Announced Jun. 22, 2009, [Site Visited May 12, 2015] <http://radiatorcontrol.com/applications.aspx>.*

(Continued)

Primary Examiner — Eric Goodman

Assistant Examiner — Luqman McNeil

(74) *Attorney, Agent, or Firm* — Robert A. Seldon

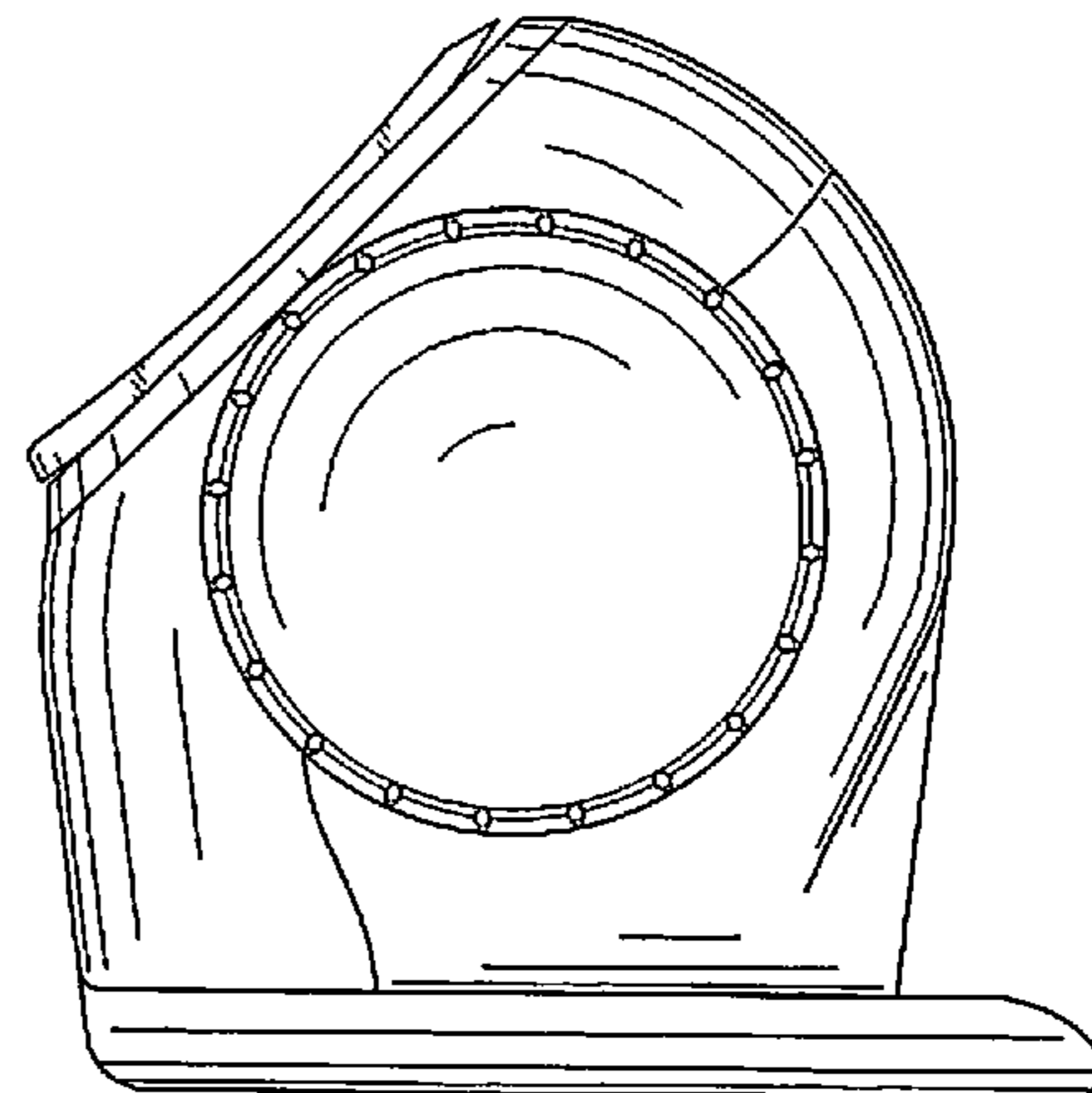
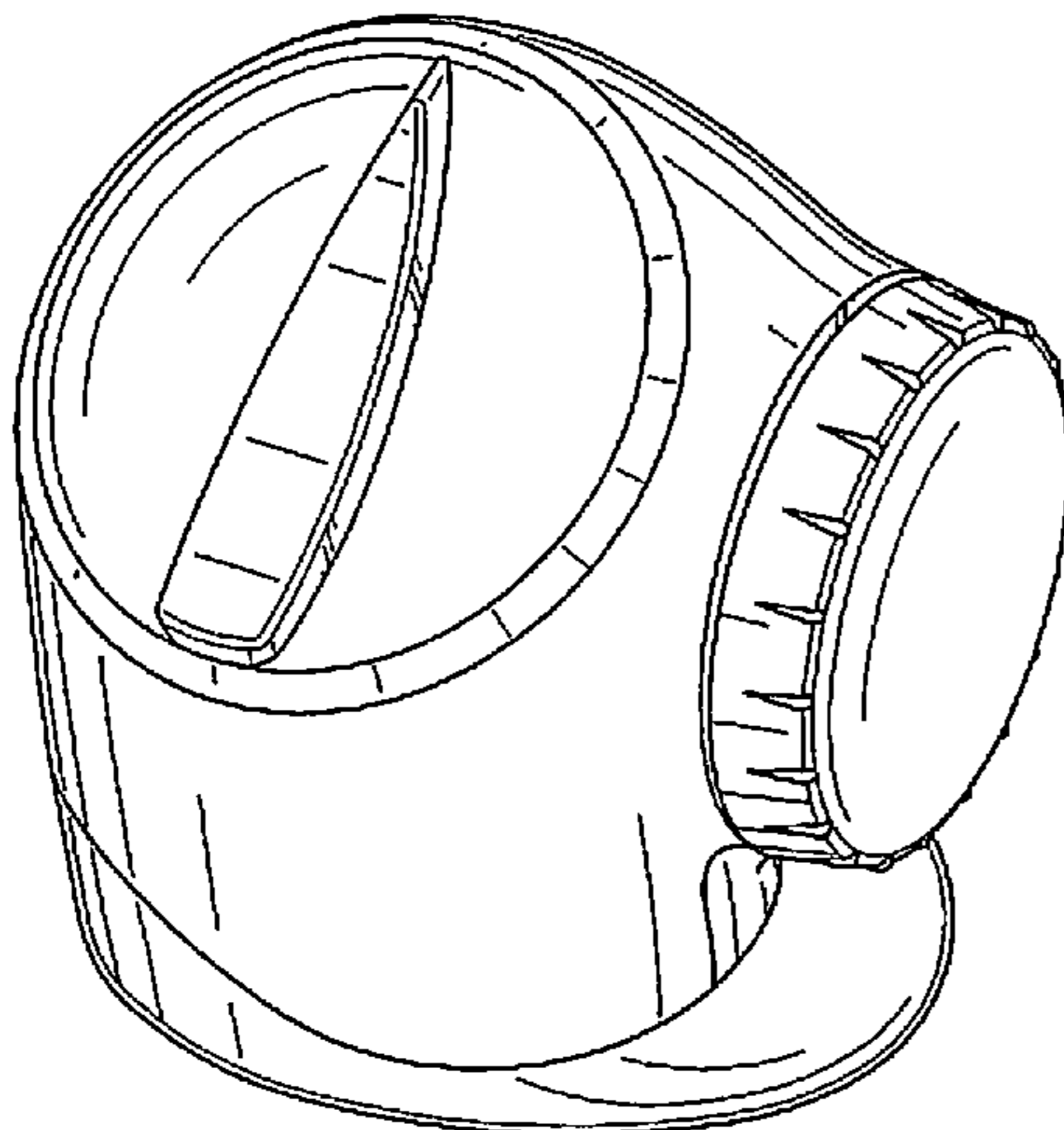
(57) **CLAIM**

The ornamental design for a remotely located controller, as shown and described.

DESCRIPTION

FIG. 1 is a front perspective view of a remotely located controller constructed in accordance with the invention; FIG. 2 is a front elevation view of the remotely located controller illustrated in FIG. 1; FIG. 3 is a right side elevation view of the remotely located controller illustrated in FIG. 1; FIG. 4 is a left side elevation view of the remotely located controller illustrated in FIG. 1; FIG. 5 is a top plan view of the remotely located controller illustrated in FIG. 1; FIG. 6 is a bottom plan view of the remotely located controller illustrated in FIG. 1; and, FIG. 7 is a rear elevation view of the remotely located controller illustrated in FIG. 1, the broken lines in the Figure being for illustrative purposes only and forming no part of the claimed design.

1 Claim, 4 Drawing Sheets



(56)

References Cited

U.S. PATENT DOCUMENTS

D437,226 S * 2/2001 Sadeghi et al. D9/451
 D444,680 S * 7/2001 Molenaar D7/629
 D454,344 S * 3/2002 Tate et al. D14/260
 D463,281 S * 9/2002 Druitt D9/452
 D465,730 S * 11/2002 Druitt D9/452
 6,783,014 B2 * 8/2004 Luker 215/334
 D500,677 S * 1/2005 Druitt D9/452
 D512,417 S * 12/2005 Hirakawa et al. D14/223
 D515,040 S * 2/2006 Jones et al. D13/168
 D526,973 S * 8/2006 Gates et al. D13/184
 D533,943 S * 12/2006 Chen D24/146
 D542,234 S * 5/2007 Shimizu D13/168
 D542,656 S * 5/2007 Szczesniak D9/453
 D544,866 S * 6/2007 Wang et al. D14/438
 D554,074 S * 10/2007 Laurent et al. D13/164

D561,113 S * 2/2008 Samhammer et al. D13/162
 D603,022 S * 10/2009 Schonherr et al. D23/245
 D616,768 S * 6/2010 Bellin et al. D10/46
 D627,306 S * 11/2010 Charleux D13/168
 D631,349 S * 1/2011 Arnell et al. D9/452
 D636,380 S * 4/2011 Valeur D14/218
 D649,395 S * 11/2011 Gehring D7/391
 D658,935 S * 5/2012 Luppino et al. D7/392
 D675,655 S * 2/2013 Leach D15/144

OTHER PUBLICATIONS

Danfoss Randall RET-B Room Thermostat, Announced Mar. 4, 2006, [Site Visited May 12, 2015]<http://www.heatingcontrolsonline.co.uk/danfoss-randall-retb-room-thermostat-p-243.html>.*

* cited by examiner

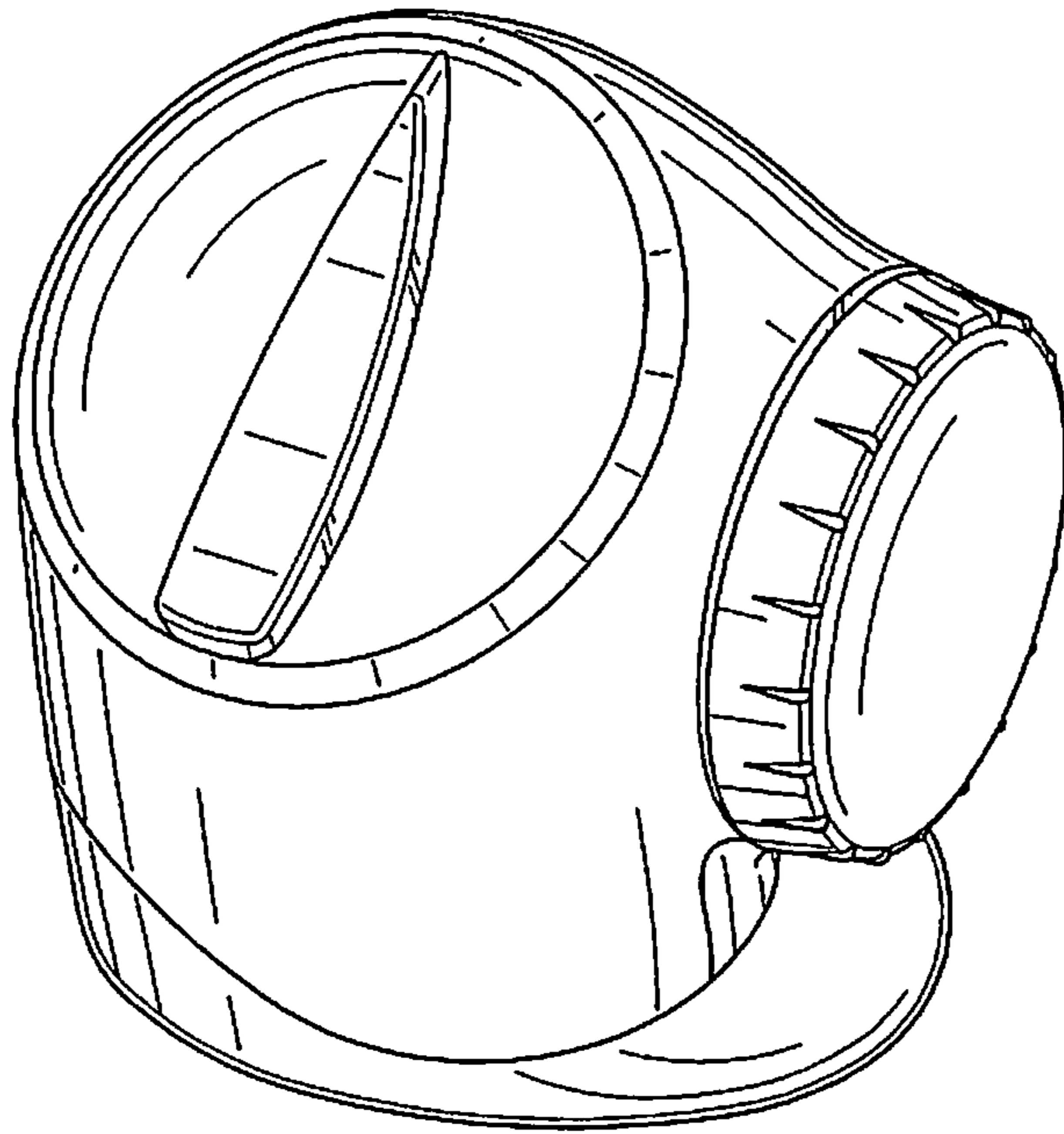


FIG. 1

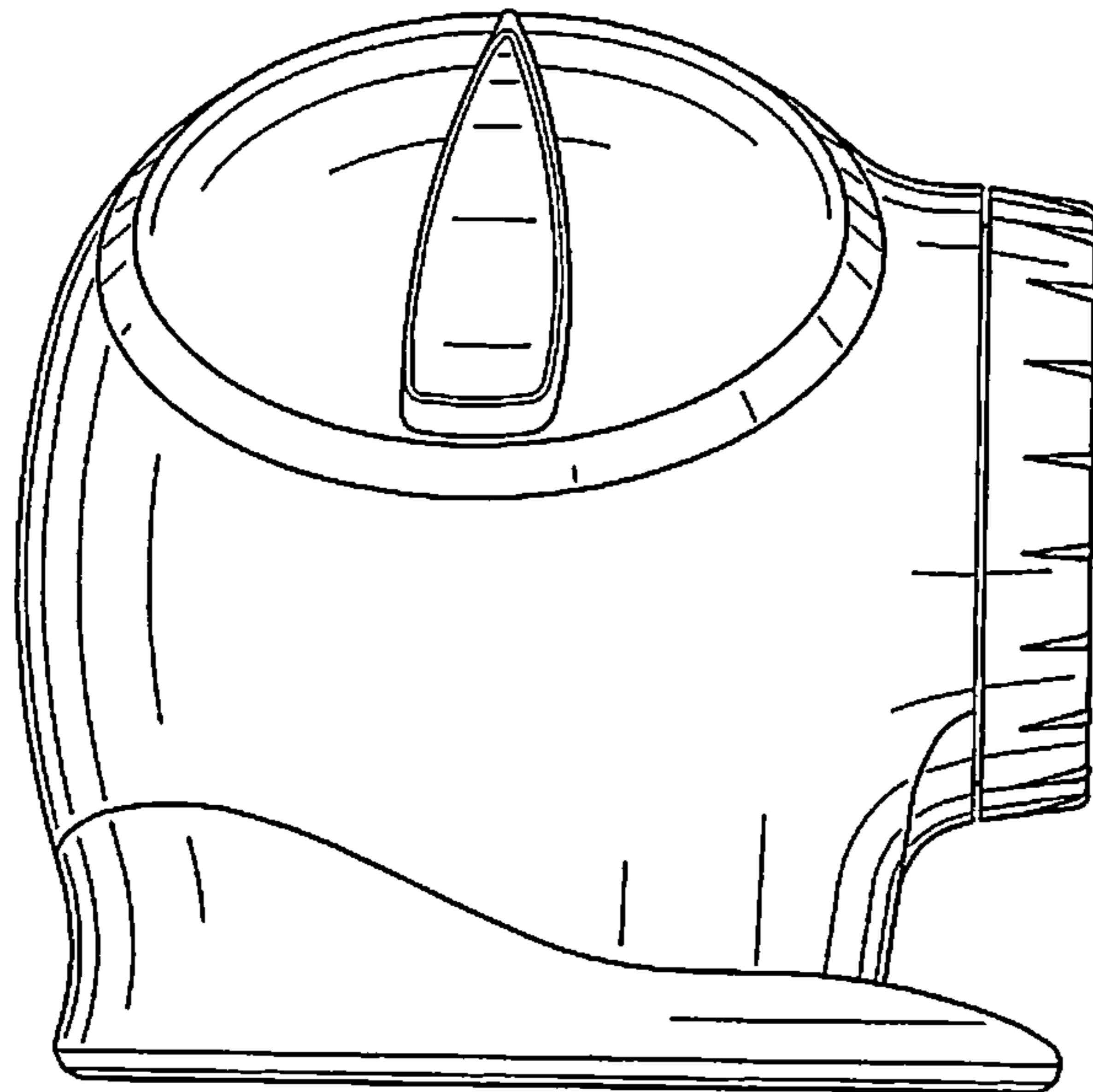


FIG. 2

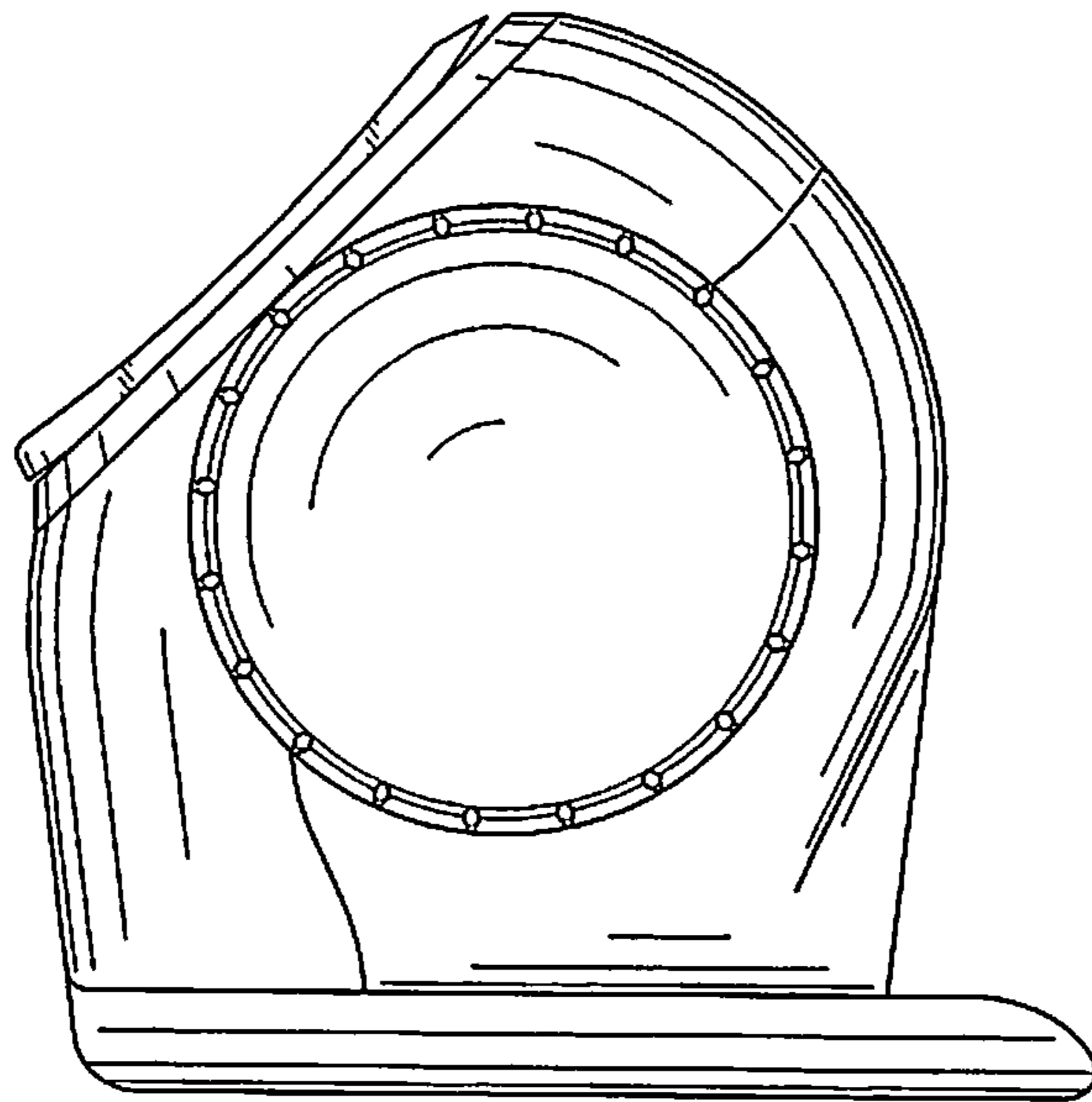


FIG. 3

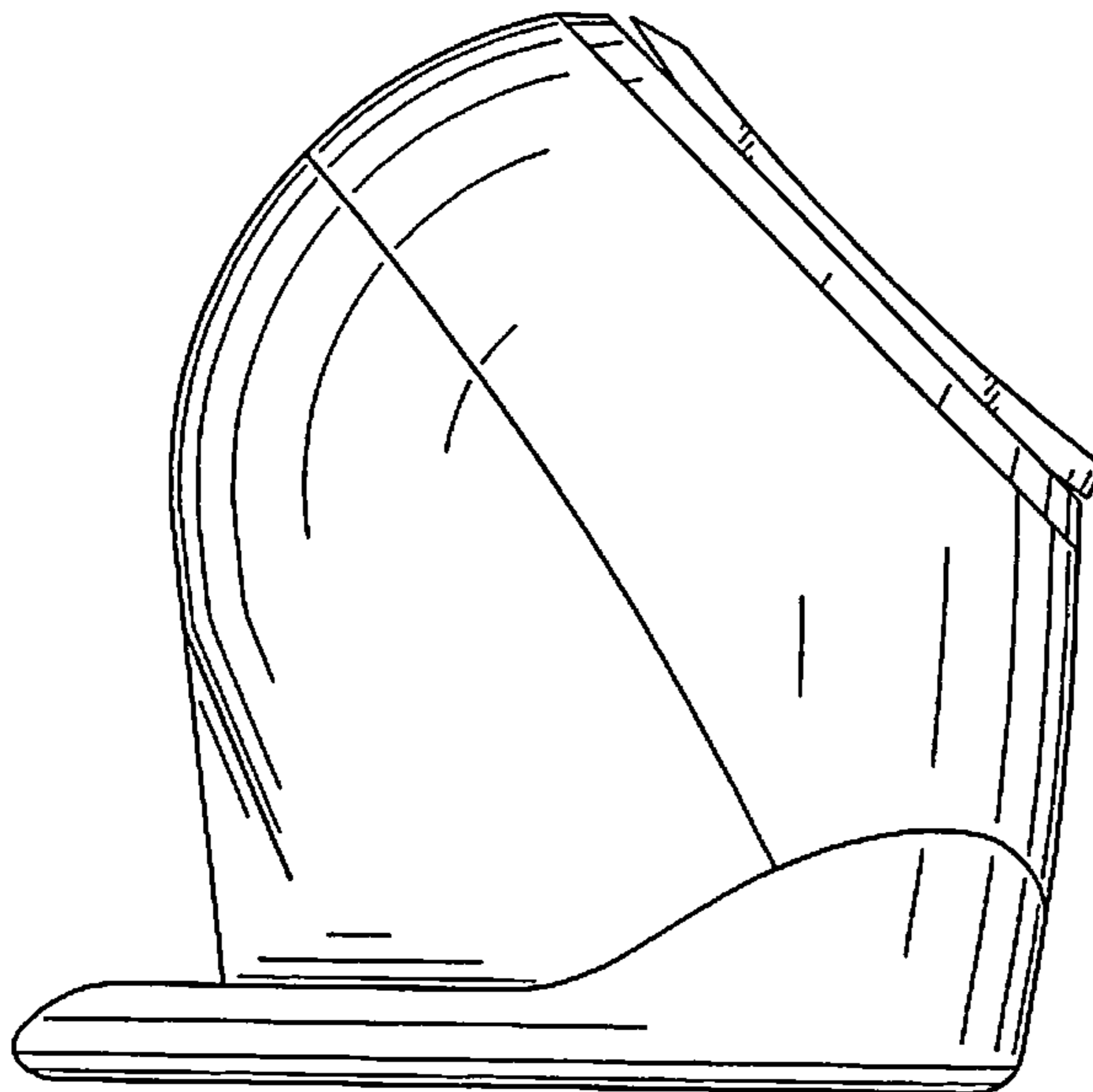


FIG. 4

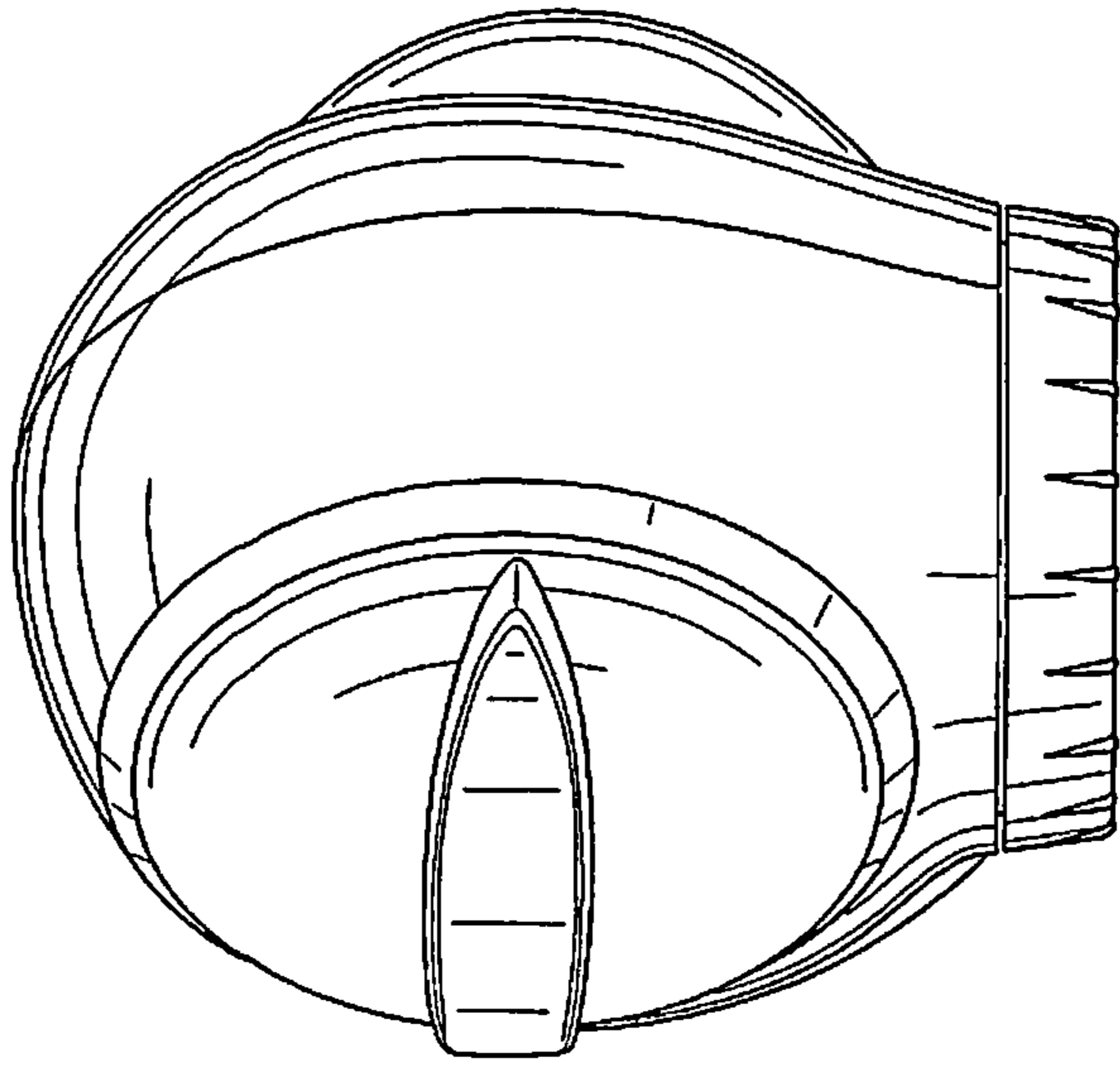


FIG. 5

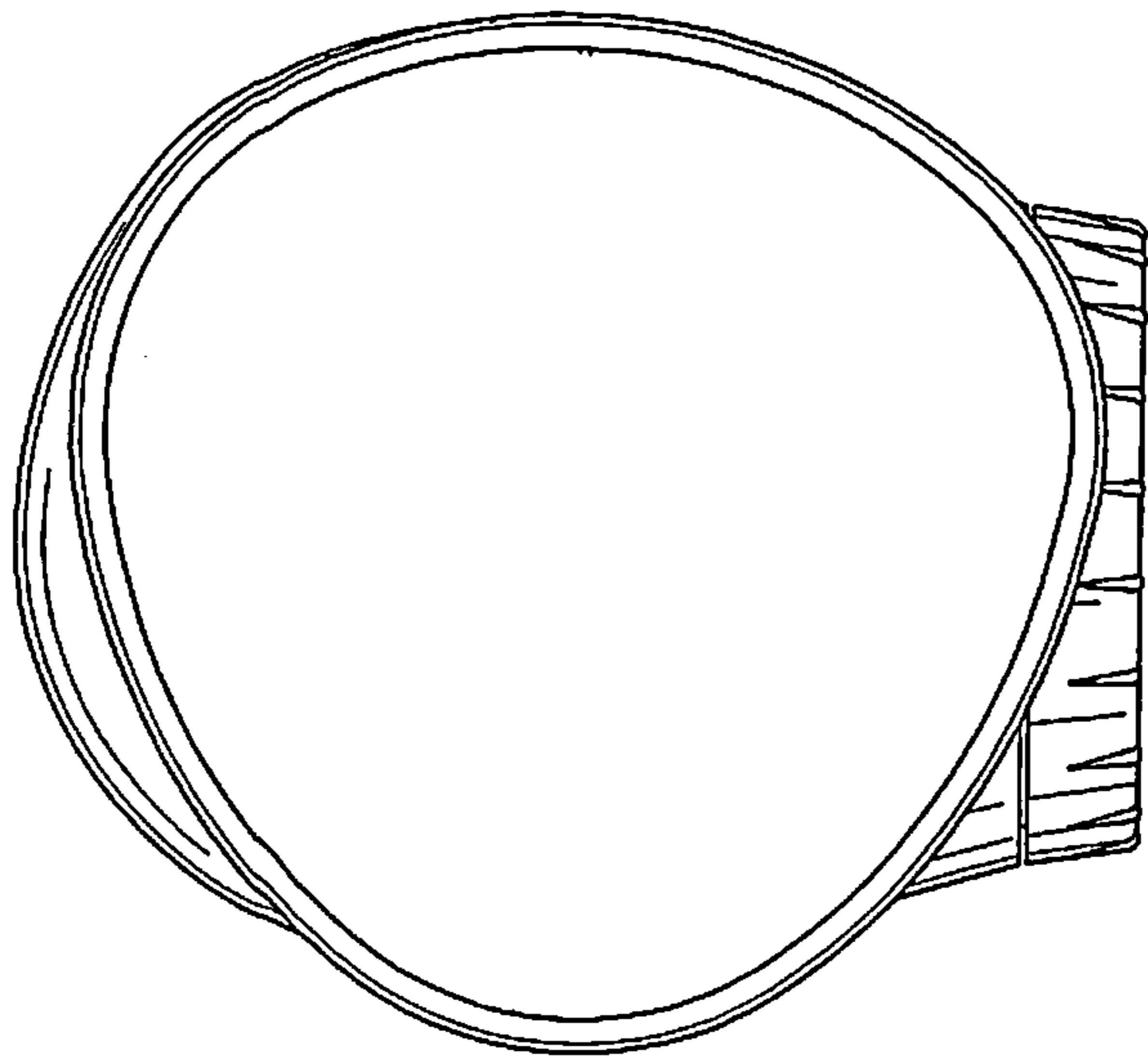


FIG. 6

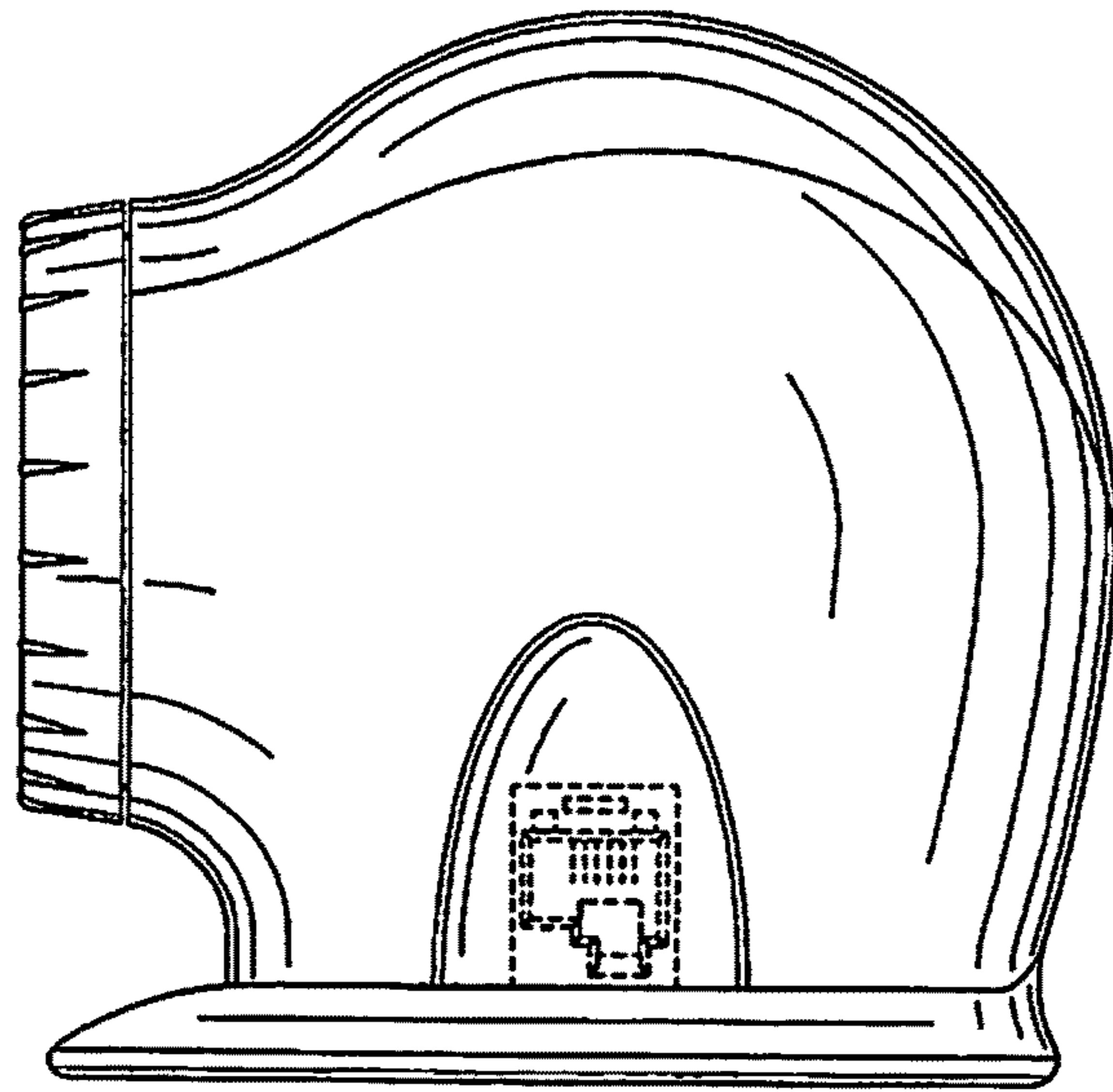


FIG. 7