



US00D738352S

(12) **United States Design Patent**  
**Alexander**

(10) **Patent No.:** **US D738,352 S**

(45) **Date of Patent:** **\*\* Sep. 8, 2015**

(54) **LOUDSPEAKER**

(71) Applicant: **Eric Jay Alexander**, Orem, UT (US)

(72) Inventor: **Eric Jay Alexander**, Orem, UT (US)

(\*\*) Term: **14 Years**

(21) Appl. No.: **29/462,418**

(22) Filed: **Aug. 2, 2013**

(51) **LOC (10) Cl.** ..... **14-03**

(52) **U.S. Cl.**  
USPC ..... **D14/215**

(58) **Field of Classification Search**  
USPC ..... D14/167, 168, 170–172, 188, 194–196,  
D14/204, 207, 209.1, 210–216, 219, 221,  
D14/222, 224, 496; 181/143, 144, 147, 148,  
181/150, 153, 157, 198, 199; 381/300–303,  
381/306, 332, 333, 336, 345, 361–364,  
381/386–388; 369/6–12

See application file for complete search history.

(56) **References Cited**

**U.S. PATENT DOCUMENTS**

D253,592 S	*	12/1979	Takei	.....	D14/214
D265,990 S	*	8/1982	Hartwein et al.	.....	D14/214
D375,499 S	*	11/1996	Meyer et al.	.....	D14/214
D486,474 S	*	2/2004	Allen	.....	D14/215

D634,302 S	*	3/2011	Chung et al.	.....	D14/211
D672,751 S	*	12/2012	Davies et al.	.....	D14/215
D695,270 S	*	12/2013	Lam	.....	D14/211
D715,767 S	*	10/2014	Woo et al.	.....	D14/213
D717,277 S	*	11/2014	Park et al.	.....	D14/215

\* cited by examiner

*Primary Examiner* — Keli L Hill

(74) *Attorney, Agent, or Firm* — Adam D. Stevens; Kirton McConkie

(57) **CLAIM**

The ornamental design for a loudspeaker, as shown and described.

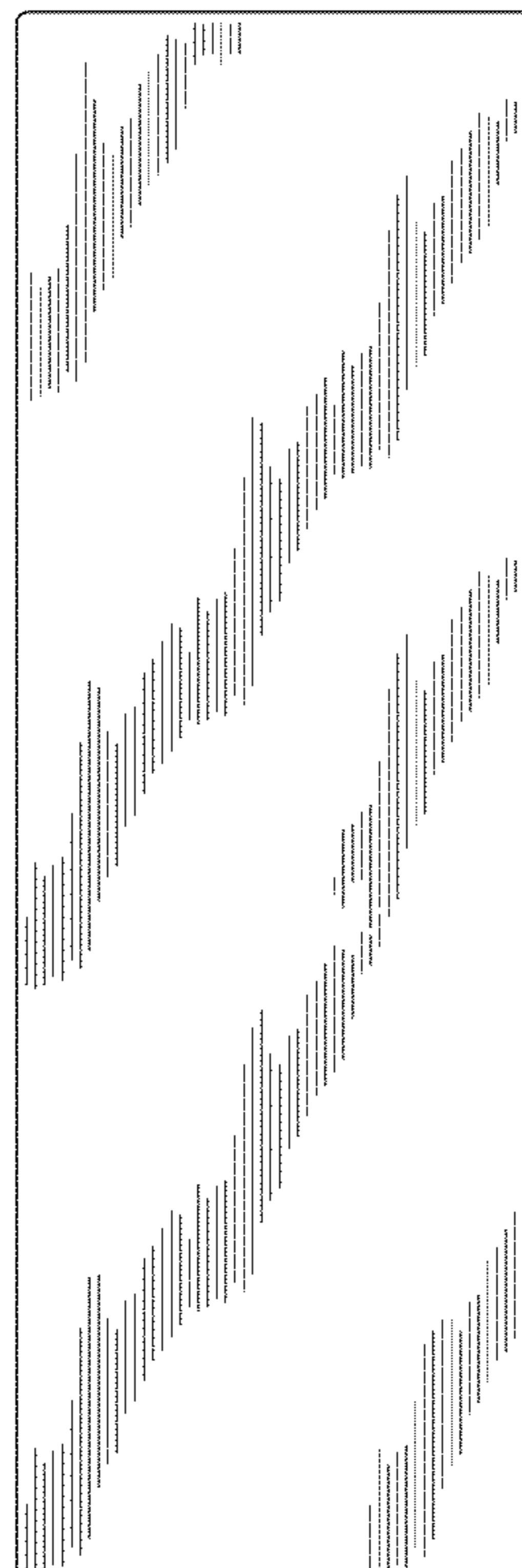
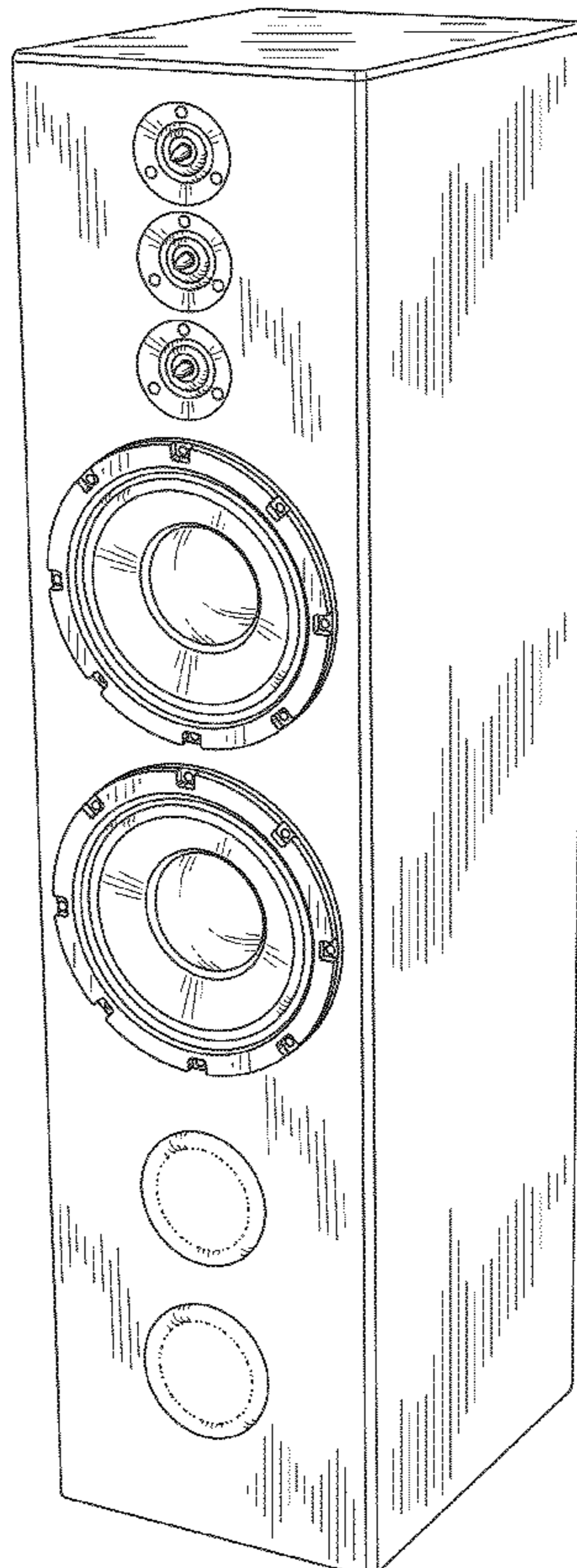
**DESCRIPTION**

FIG. 1 is a perspective view of a loudspeaker incorporating the design of the invention;  
FIG. 2 is a front view thereof;  
FIG. 3 is a back view thereof;  
FIG. 4 is a right-side view thereof;  
FIG. 5 is a left-side view thereof;  
FIG. 6 is a top view thereof; and,  
FIG. 7 is a bottom view thereof.

The dot-dot-dash broken lines seen in FIGS. 1 and 2 represent the bounds of the claimed design and the broken lines form no part of the claimed design.

A loudspeaker for transducing electrical signals into sound.

**1 Claim, 4 Drawing Sheets**



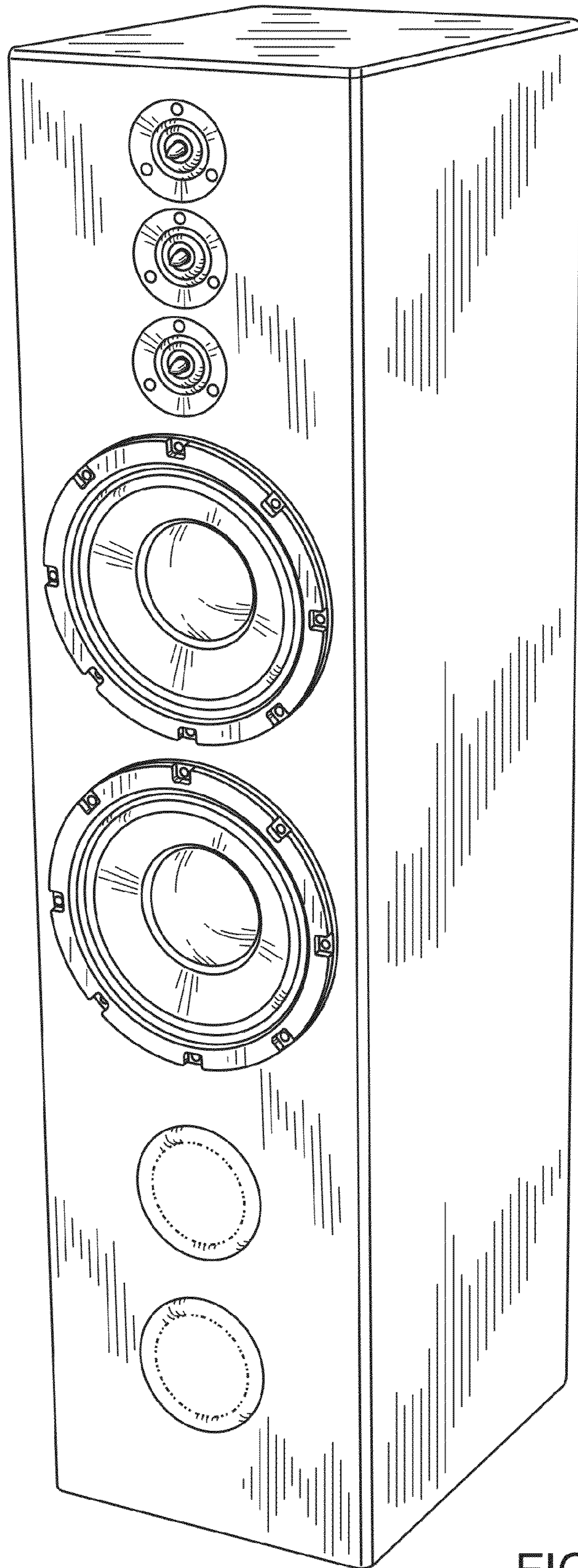


FIG. 1

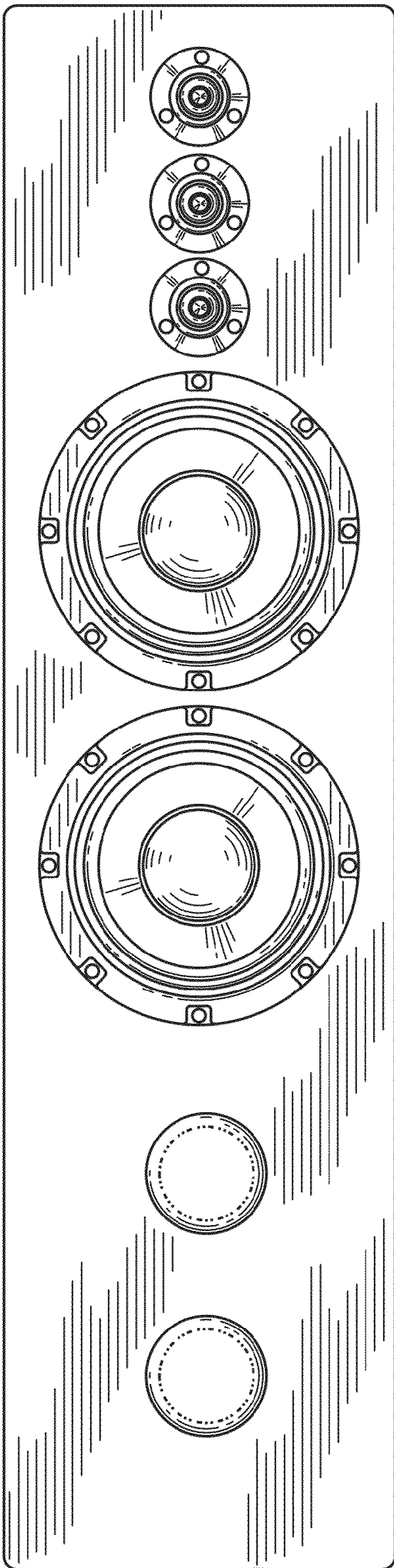


FIG. 2

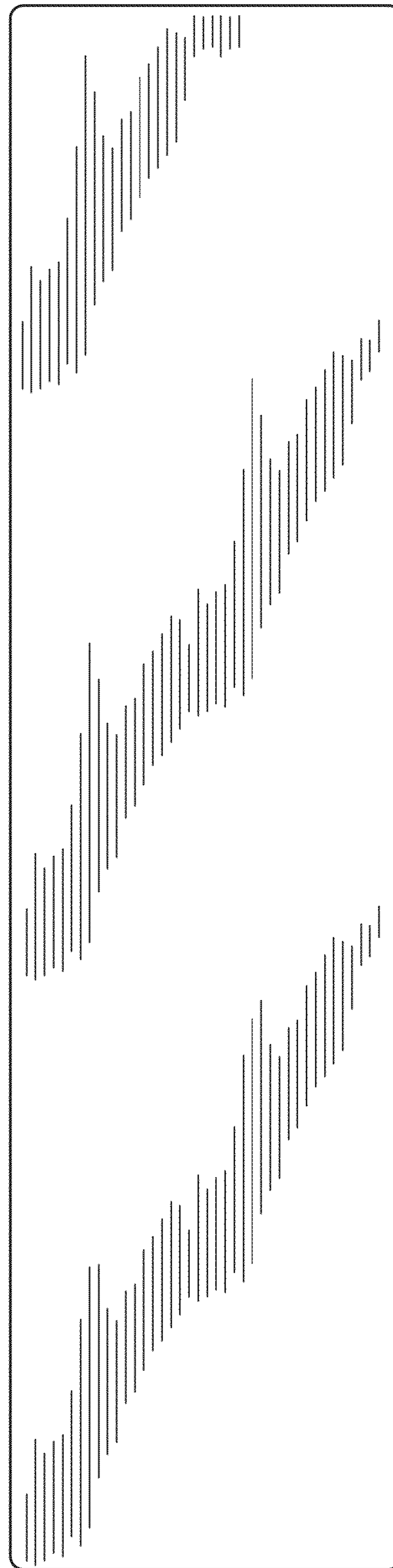


FIG. 3

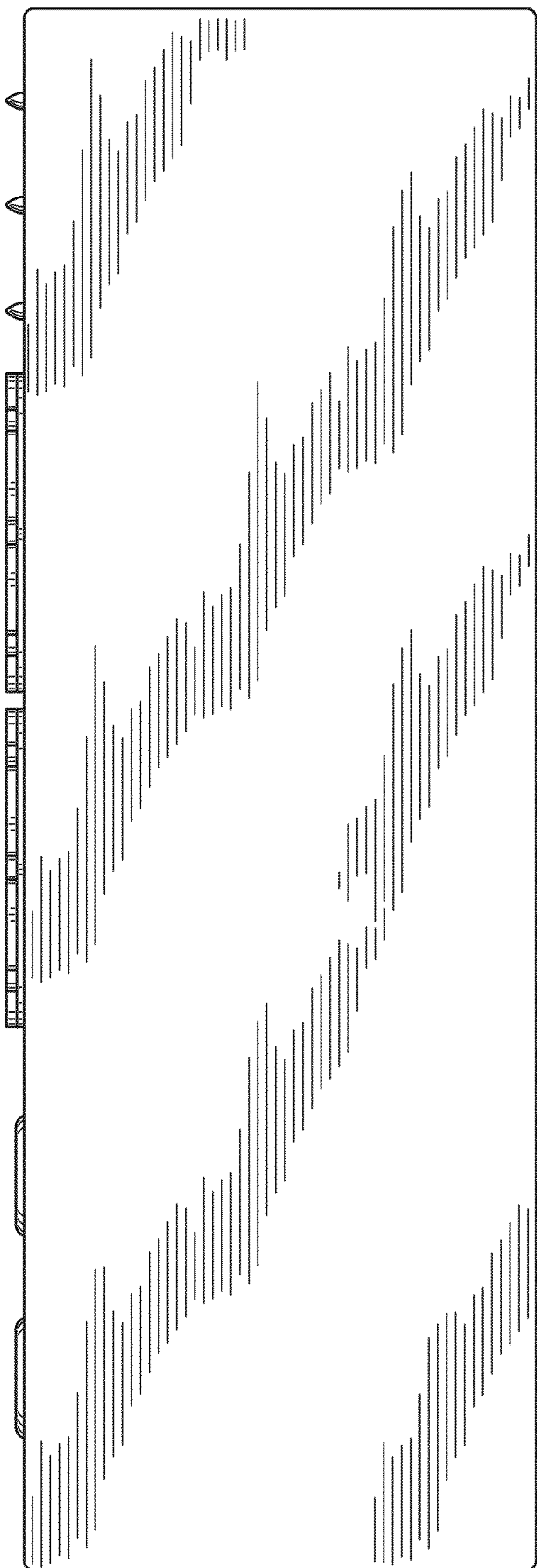


FIG. 4

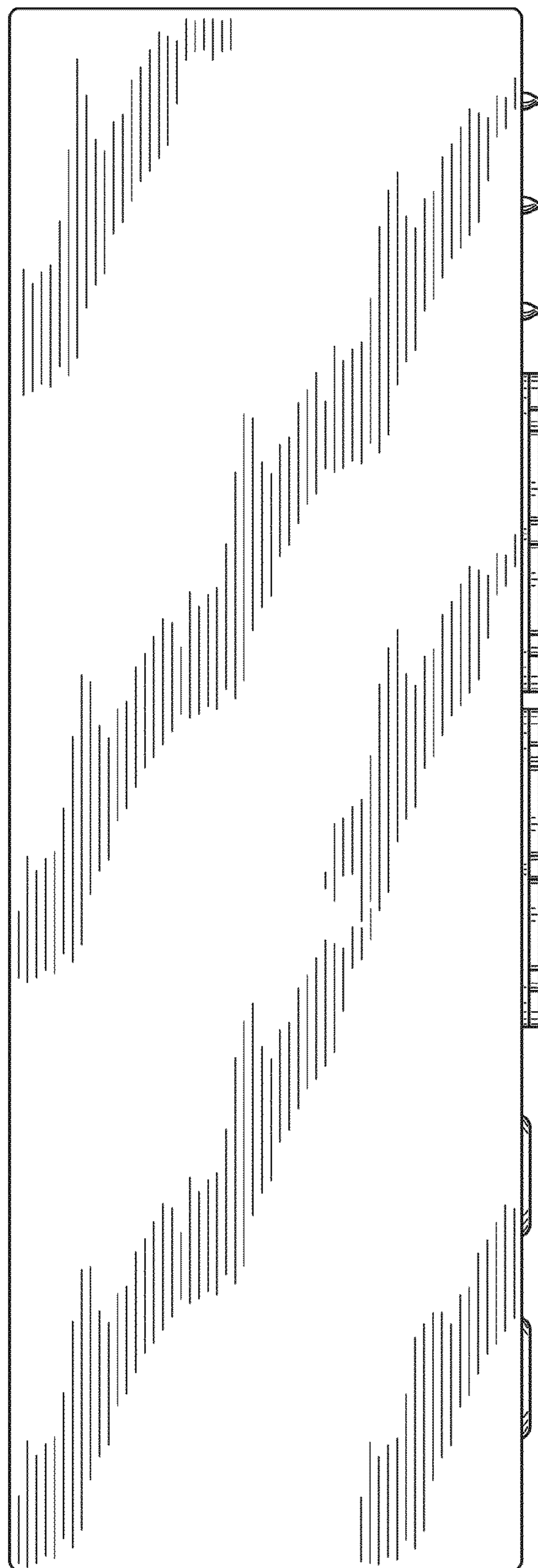


FIG. 5

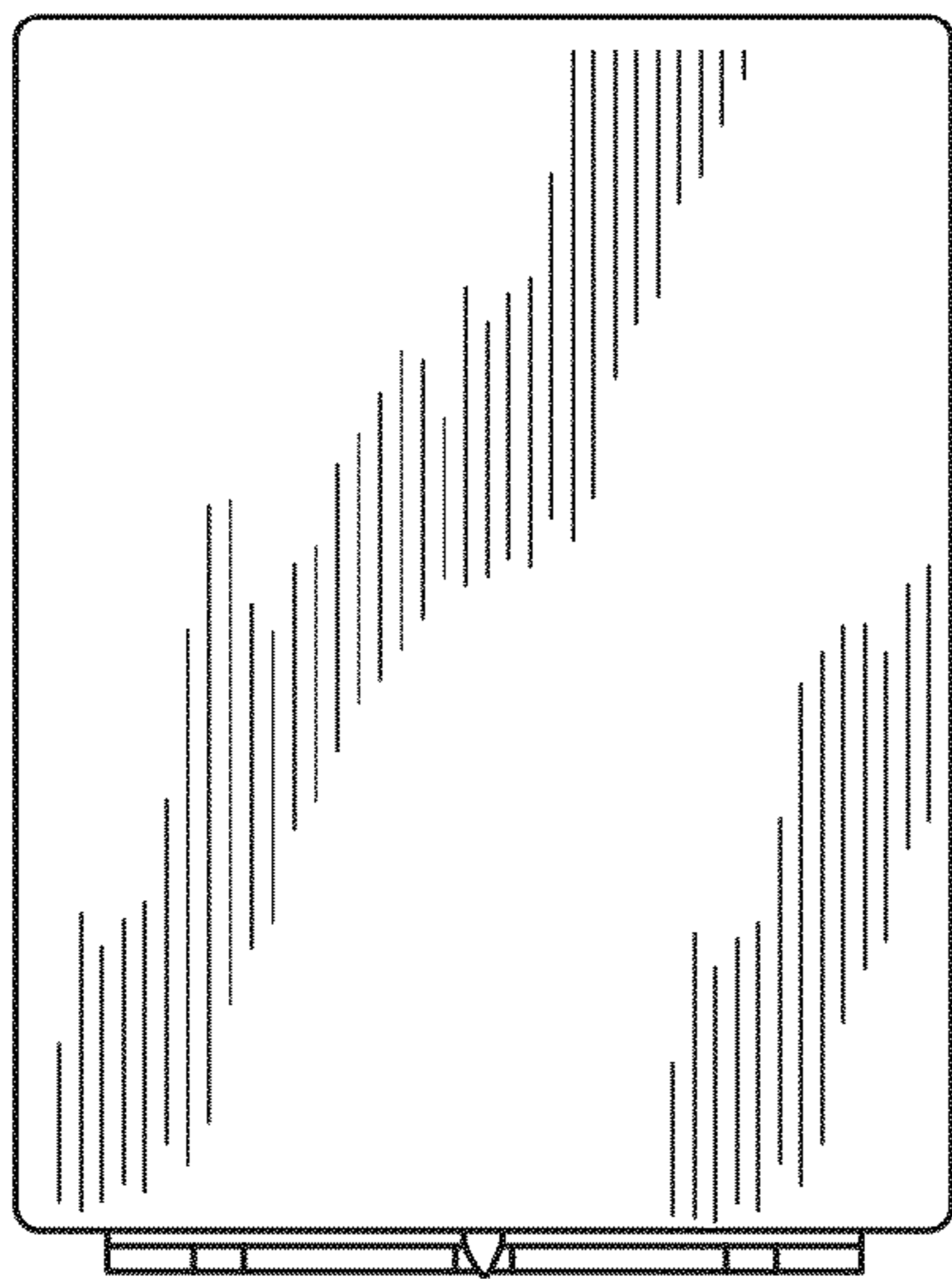


FIG. 6

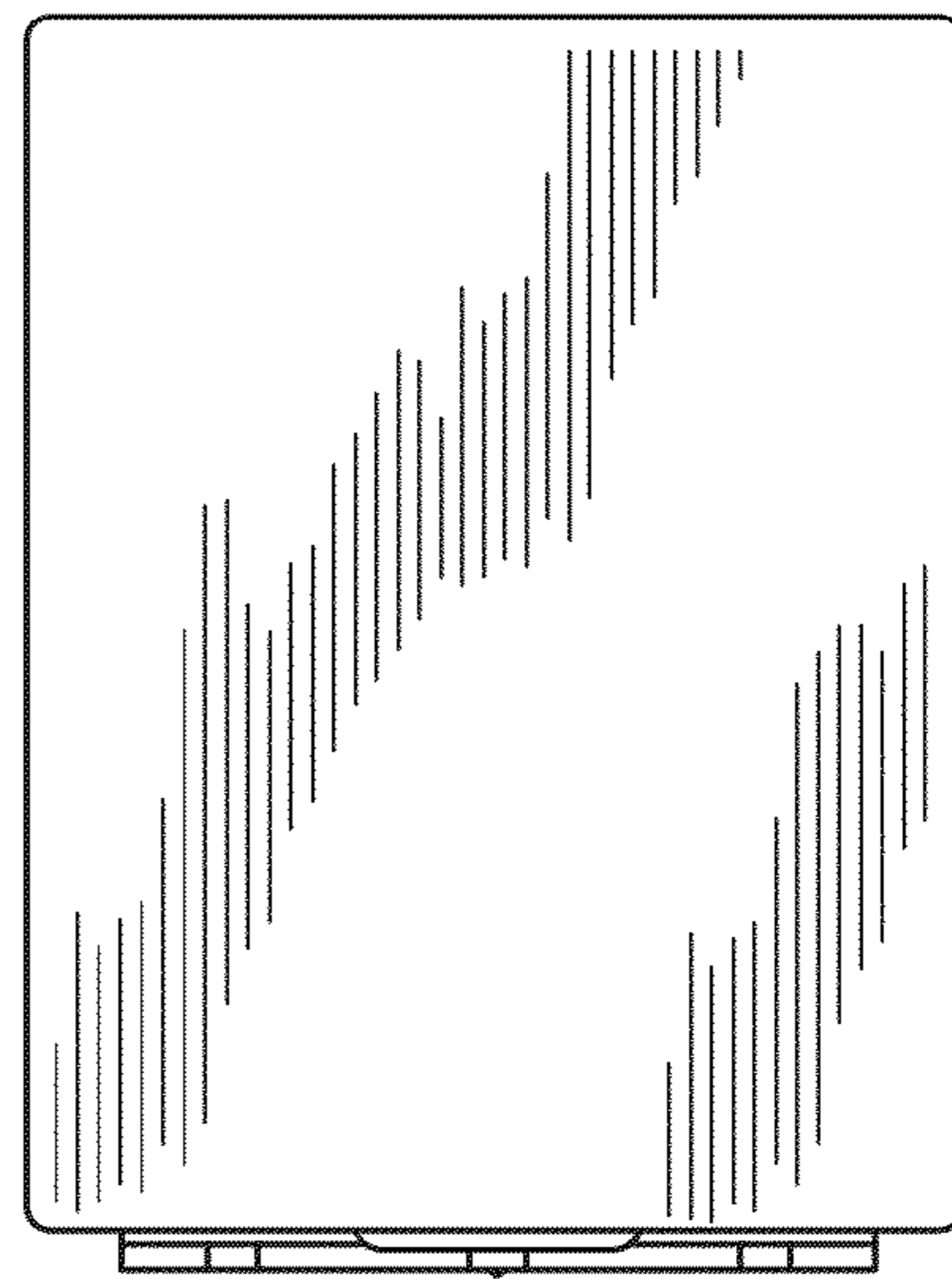


FIG. 7