



US00D738351S

(12) **United States Design Patent**
Park et al.

(10) **Patent No.:** **US D738,351 S**

(45) **Date of Patent:** **** Sep. 8, 2015**

(54) **HOME THEATER SPEAKER**

H04R 2499/15; H04S 3/00; H04S 7/30
See application file for complete search history.

(71) Applicant: **LG ELECTRONICS INC.**, Seoul (KR)

(72) Inventors: **Soo Young Park**, Seoul (KR); **Woo Suk Park**, Seoul (KR)

(73) Assignee: **LG Electronics Inc.**, Seoul (KR)

(**) Term: **14 Years**

(21) Appl. No.: **29/454,381**

(22) Filed: **May 9, 2013**

(30) **Foreign Application Priority Data**

Nov. 9, 2012 (KR) 30-2012-0053692

(51) **LOC (10) Cl.** **14-03**

(52) **U.S. Cl.**
USPC **D14/213**

(58) **Field of Classification Search**

USPC D14/167, 168, 170–172, 188, 194–196,
D14/204, 207, 209.1, 210–216, 219, 221,
D14/222, 224, 496; 181/143, 144, 147, 148,
181/150, 153, 157, 198, 199; 381/300–303,
381/306, 332, 333, 336, 345, 361–364,
381/386–388; 369/6–12

CPC B60R 11/0217; G06F 1/1688; H04M 1/03;
H04M 1/035; H04R 1/02; H04R 1/06; H04R
1/021; H04R 1/025; H04R 1/026; H04R
1/028; H04R 1/105; H04R 1/323; H04R
1/403; H04R 1/2803; H04R 1/2834; H04R
5/02; H04R 7/20; H04R 9/06; H04R 9/025;
H04R 2201/021; H04R 2400/00; H04R
2400/07; H04R 2499/11; H04R 2499/13;

(56) **References Cited**

U.S. PATENT DOCUMENTS

D522,492 S *	6/2006	Carbone	D14/211
D676,422 S *	2/2013	Onoue	D14/214
D683,330 S *	5/2013	Ryu et al.	D14/209.1
D687,812 S *	8/2013	Lee	D14/211
D715,767 S *	10/2014	Woo et al.	D14/213
D716,262 S *	10/2014	Kim et al.	D14/215
D716,266 S *	10/2014	Kim et al.	D14/215

* cited by examiner

Primary Examiner — Keli L Hill

(74) *Attorney, Agent, or Firm* — Morgan, Lewis & Bockius LLP

(57) **CLAIM**

We claim the ornamental design for a home theater speaker, as shown and described.

DESCRIPTION

FIG. 1 is a perspective view of a home theater speaker showing the new design:

FIG. 2 is a front elevation view thereof;

FIG. 3 is a rear elevation view thereof;

FIG. 4 is a left-side elevation view thereof;

FIG. 5 is a right-side elevation view thereof;

FIG. 6 is a top plan view thereof; and,

FIG. 7 is a bottom plan view thereof.

The broken lines shown in the drawings represent unclaimed portions of the home theater speaker and form no part of the claimed design.

1 Claim, 4 Drawing Sheets

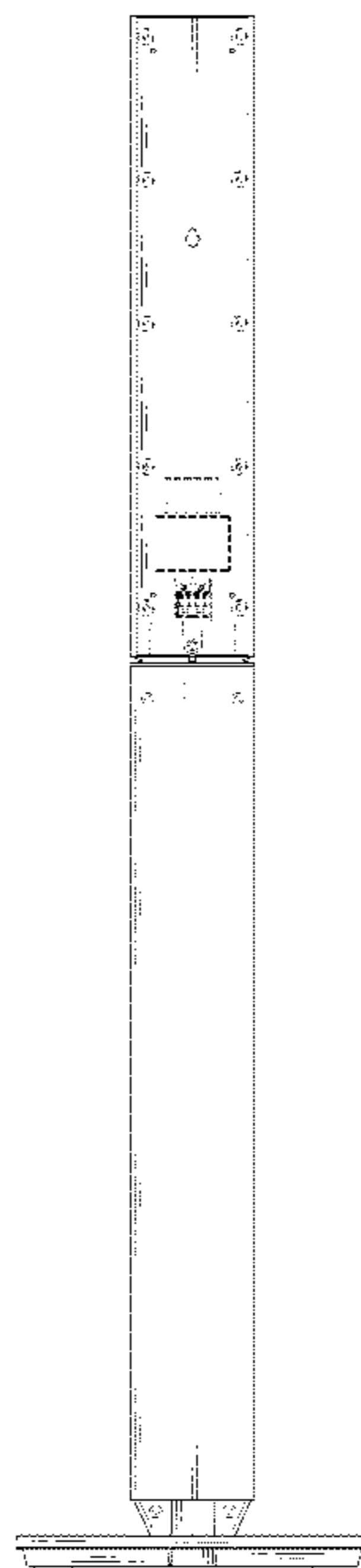
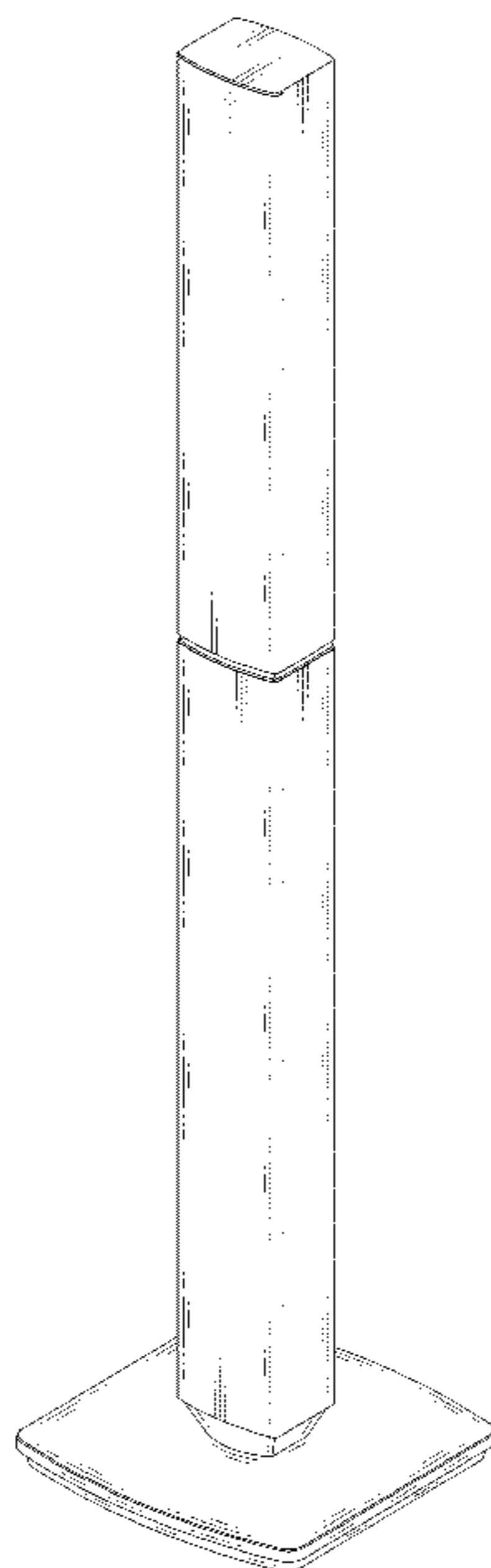


FIG. 1

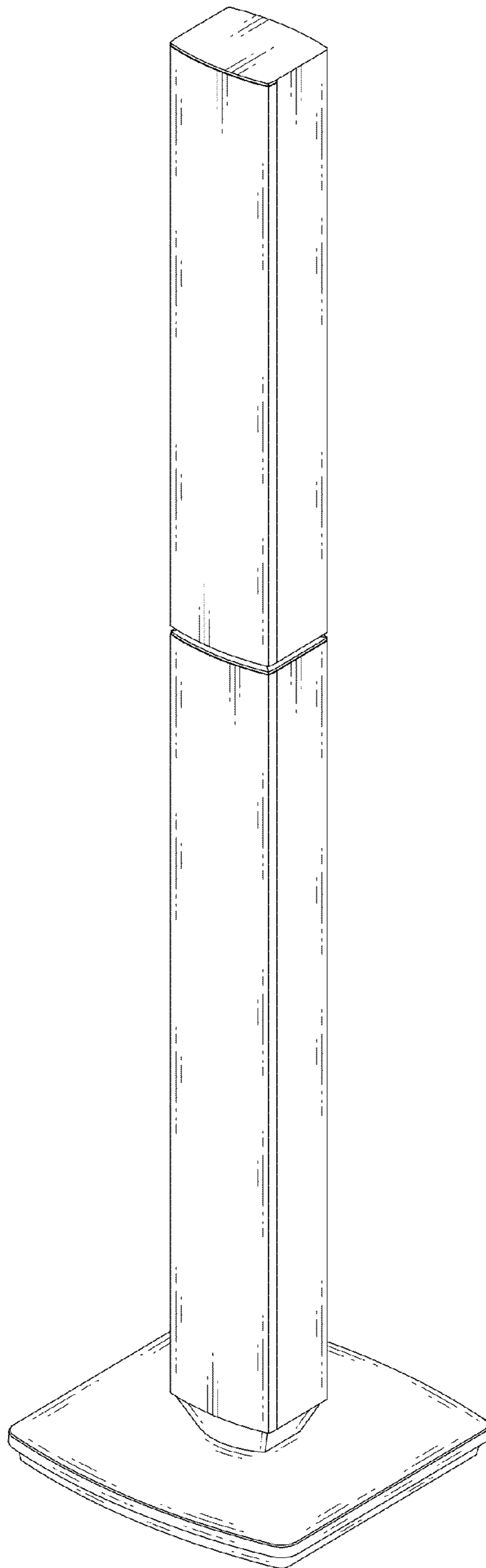


FIG. 2

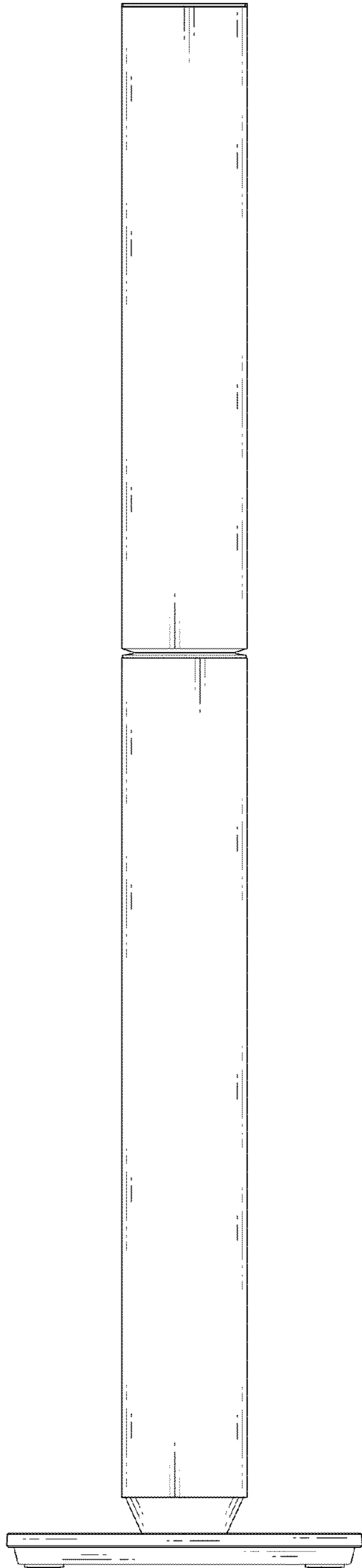


FIG. 3

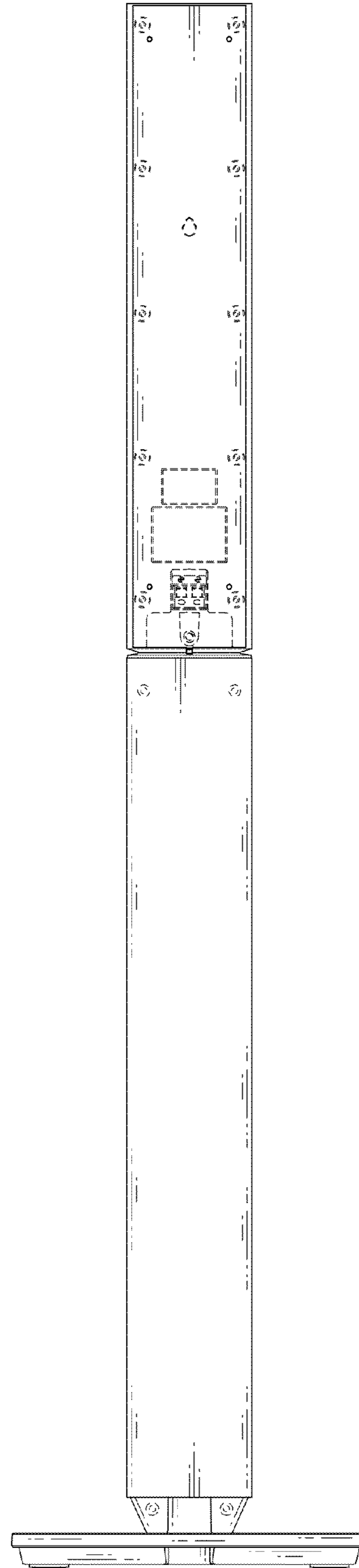


FIG. 4

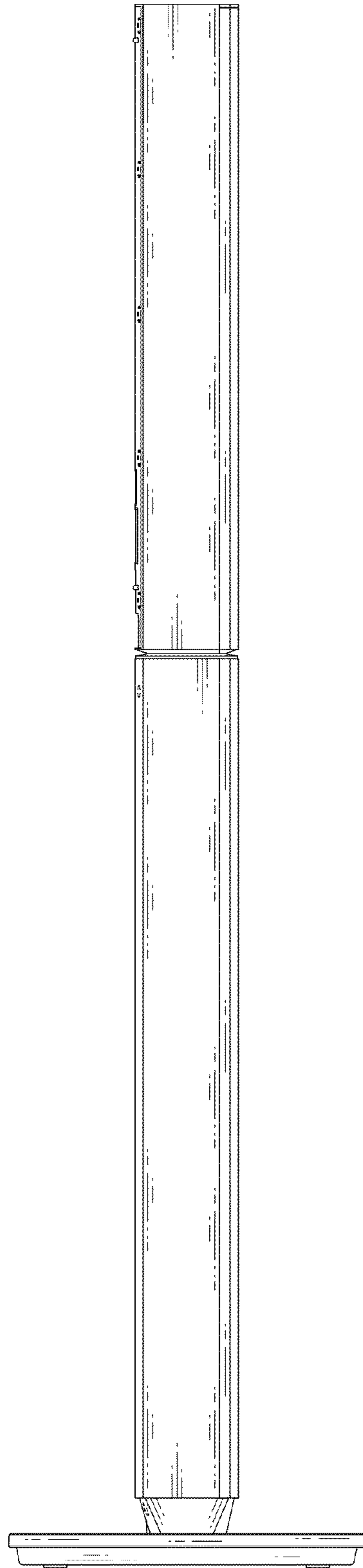


FIG. 5

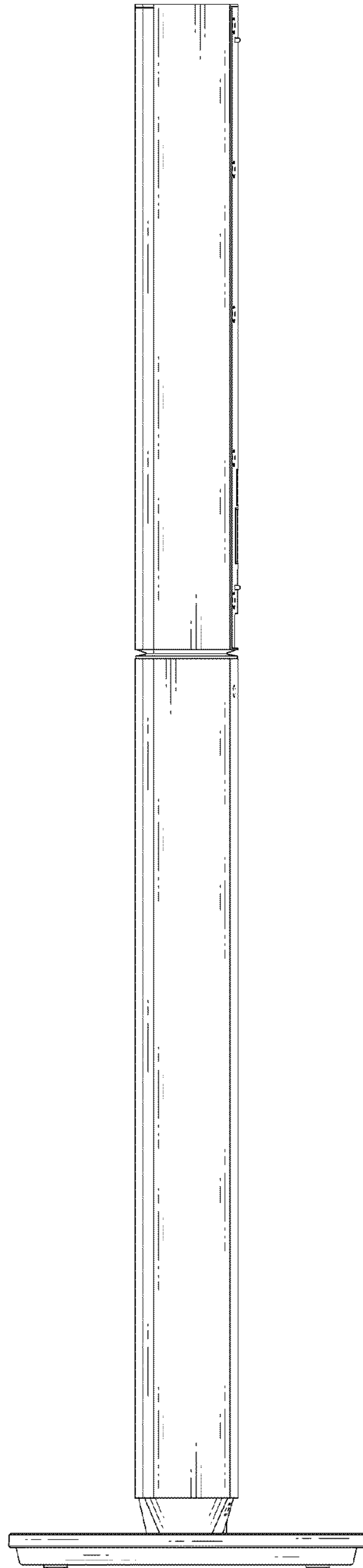


FIG.6

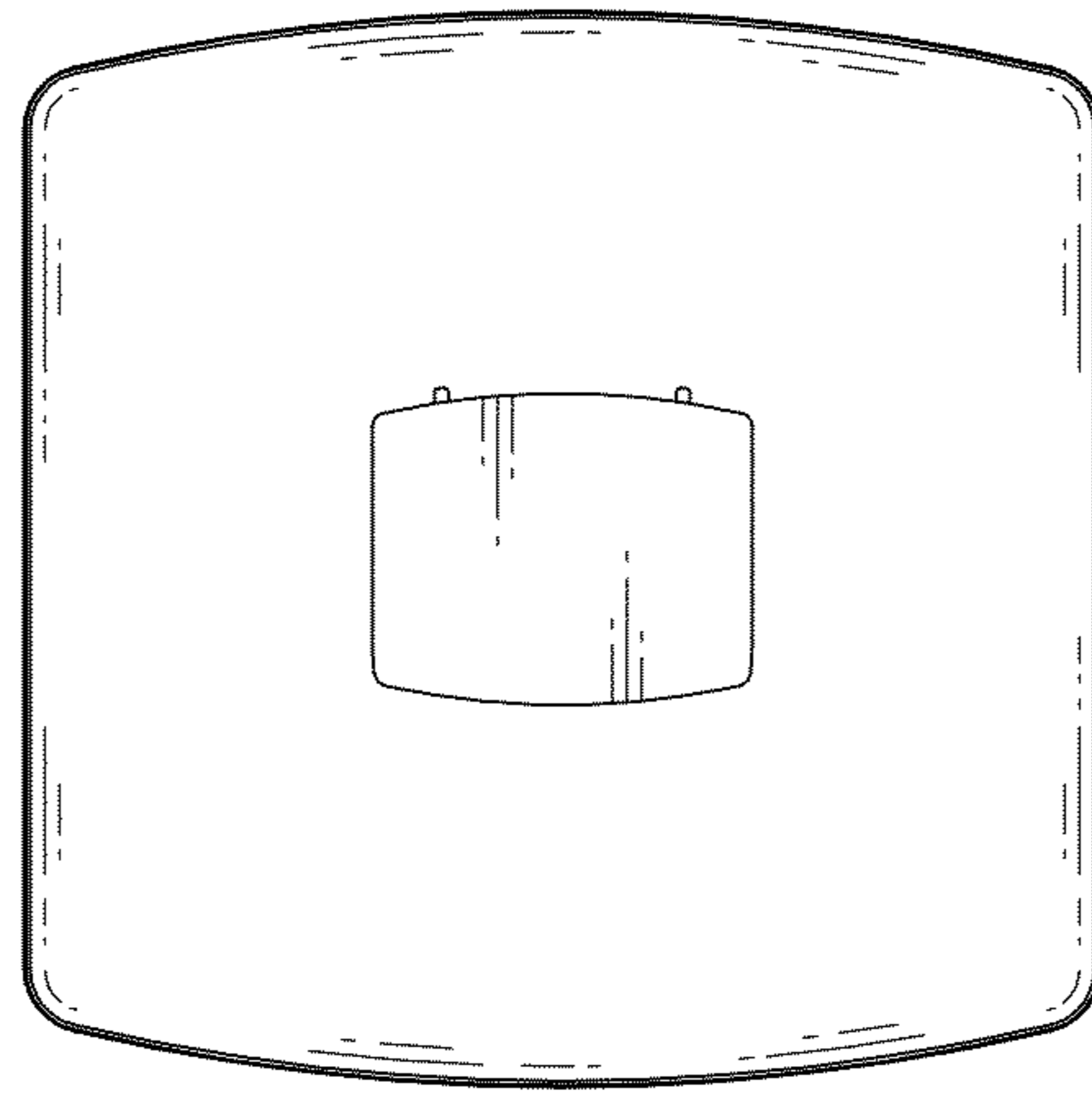


FIG.7

