



US00D738350S

(12) **United States Design Patent**  
**Brunner et al.**

(10) **Patent No.:** **US D738,350 S**  
(45) **Date of Patent:** **\*\* \*Sep. 8, 2015**

- (54) **AUDIO LISTENING SYSTEM**
- (71) Applicant: **Apple Inc.**, Cupertino, CA (US)
- (72) Inventors: **Robert Brunner**, San Francisco, CA (US); **Rhys Bonahoom**, Burlingame, CA (US); **Gregoire Vandebussche**, San Francisco, CA (US); **Nivay Anandarajah**, San Francisco, CA (US); **Christopher Fruhauf**, San Anselmo, CA (US)
- (73) Assignee: **Apple Inc.**, Cupertino, CA (US)
- (\*) Notice: This patent is subject to a terminal disclaimer.
- (\*\*) Term: **14 Years**
- (21) Appl. No.: **29/490,508**
- (22) Filed: **May 9, 2014**

**Related U.S. Application Data**

- (63) Continuation-in-part of application No. 29/489,127, filed on Apr. 25, 2014.
- (51) **LOC (10) Cl.** ..... **14-01**
- (52) **U.S. Cl.**  
USPC ..... **D14/205**
- (58) **Field of Classification Search**  
USPC ..... D14/205, 206; D29/112; 2/209;  
181/129, 130, 135; 379/430, 431;  
381/380, 381; 455/90.3, 575.1  
CPC ..... H04R 1/1066  
See application file for complete search history.

**References Cited**

**U.S. PATENT DOCUMENTS**

- D328,074 S \* 7/1992 Yamazaki et al. .... D14/205
- D328,461 S \* 8/1992 Daido et al. .... D14/205

- D504,414 S \* 4/2005 Yoshida ..... D14/192
- 6,980,165 B2 \* 12/2005 Yuasa et al. .... 343/718
- 7,072,483 B2 \* 7/2006 Lenhard-Backhaus ..... 381/383
- D534,155 S 12/2006 Obata
- D540,301 S 4/2007 Obata
- D552,077 S \* 10/2007 Brunner et al. .... D14/205
- D625,705 S \* 10/2010 Oho et al. .... D14/205
- D628,554 S \* 12/2010 Tedja et al. .... D14/205
- D632,668 S \* 2/2011 Brunner et al. .... D14/205
- D635,959 S \* 4/2011 Hutchieson ..... D14/205
- 8,006,320 B1 \* 8/2011 Rohbani ..... 2/209
- D652,406 S \* 1/2012 Lee et al. .... D14/205
- 8,098,872 B2 \* 1/2012 Chang ..... 381/371
- D657,344 S \* 4/2012 Brunner et al. .... D14/205
- D657,776 S \* 4/2012 Lee et al. .... D14/205
- D660,823 S \* 5/2012 Hardi et al. .... D14/205
- D660,824 S \* 5/2012 Hardi et al. .... D14/205

(Continued)

*Primary Examiner* — Paula Greene

(74) *Attorney, Agent, or Firm* — Sterne, Kessler, Goldstein & Fox P.L.L.C.

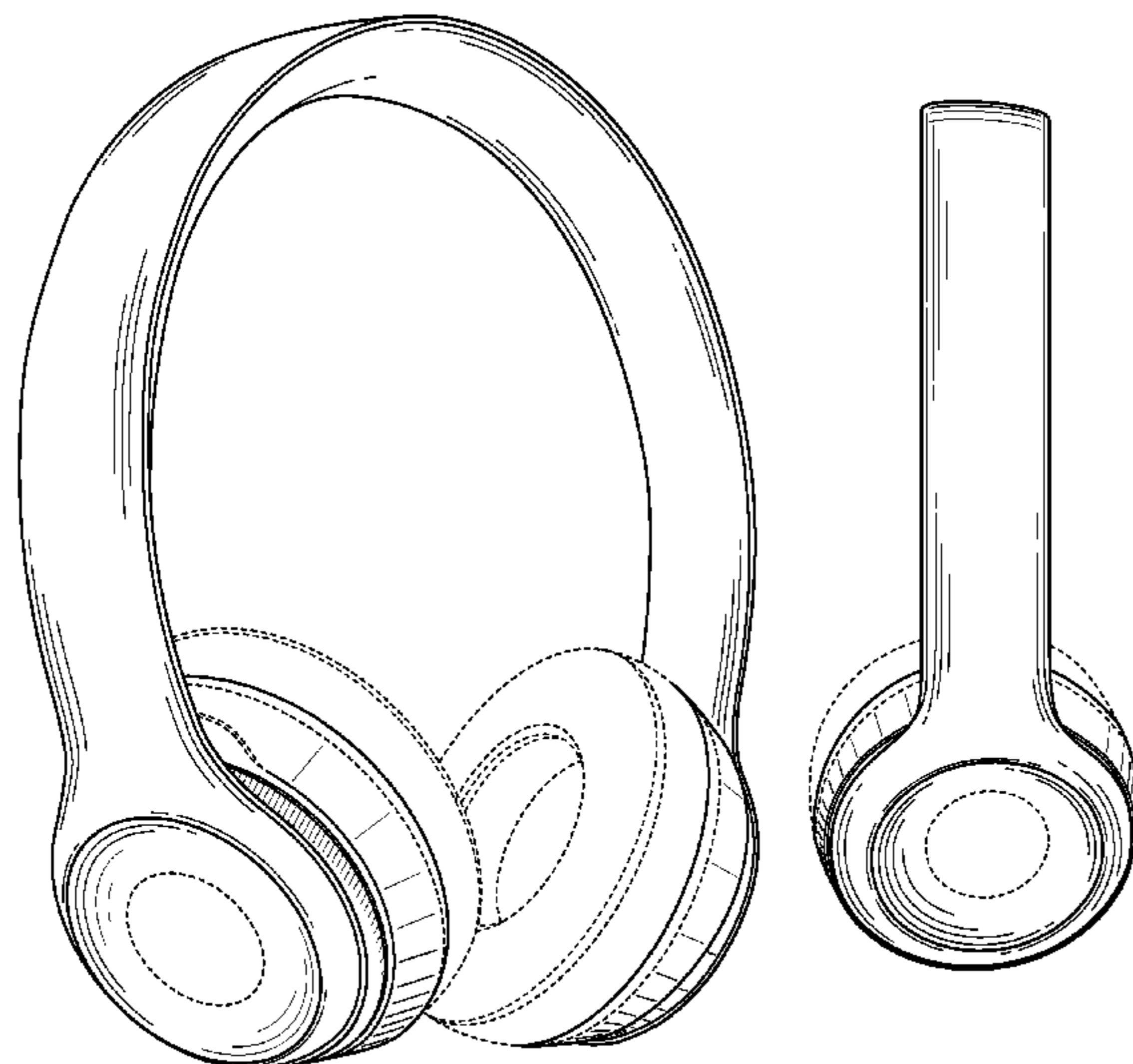
(57) **CLAIM**

The ornamental design for an audio listening system, as shown and described.

**DESCRIPTION**

FIG. 1 is a rear perspective view of an audio listening system in accordance with the present invention;  
 FIG. 2 is a rear view of the embodiment of an audio listening system depicted in FIG. 1;  
 FIG. 3 is front view of the embodiment of an audio listening system depicted in FIG. 1  
 FIG. 4 is a left side view of the embodiment of an audio listening system depicted in FIG. 1;  
 FIG. 5 is a right side view of the embodiment of an audio listening system depicted in FIG. 1; and,  
 FIG. 6 is a top view of the embodiment of an audio listening system depicted in FIG. 1.  
 The broken lines in the figures show portions of the audio listening system that form no part of the claimed design.

**1 Claim, 4 Drawing Sheets**



(56)

**References Cited**

U.S. PATENT DOCUMENTS

D662,080 S *	6/2012	Carr et al. ....	D14/205	D677,648 S *	3/2013	Lee et al. ....	D14/206
D663,716 S *	7/2012	Hardi et al. ....	D14/205	D678,860 S *	3/2013	Hagelin ....	D14/205
D664,117 S *	7/2012	Tappeiner et al. ....	D14/205	D683,329 S *	5/2013	Hagelin ....	D14/205
D671,914 S *	12/2012	Lee et al. ....	D14/205	D689,843 S *	9/2013	Lee ....	D14/205
D673,136 S *	12/2012	Kelly et al. ....	D14/205	D691,984 S *	10/2013	Wang ....	D14/205
D673,520 S *	1/2013	Tan ....	D14/205	D693,791 S *	11/2013	Troy ....	D14/205
D675,595 S *	2/2013	Cho et al. ....	D14/205	D696,226 S *	12/2013	Brunner et al. ....	D14/205
				D696,228 S *	12/2013	Miyake et al. ....	D14/205
				D699,702 S *	2/2014	Chen ....	D14/205
				D715,255 S *	10/2014	Nunez et al. ....	D14/205

\* cited by examiner

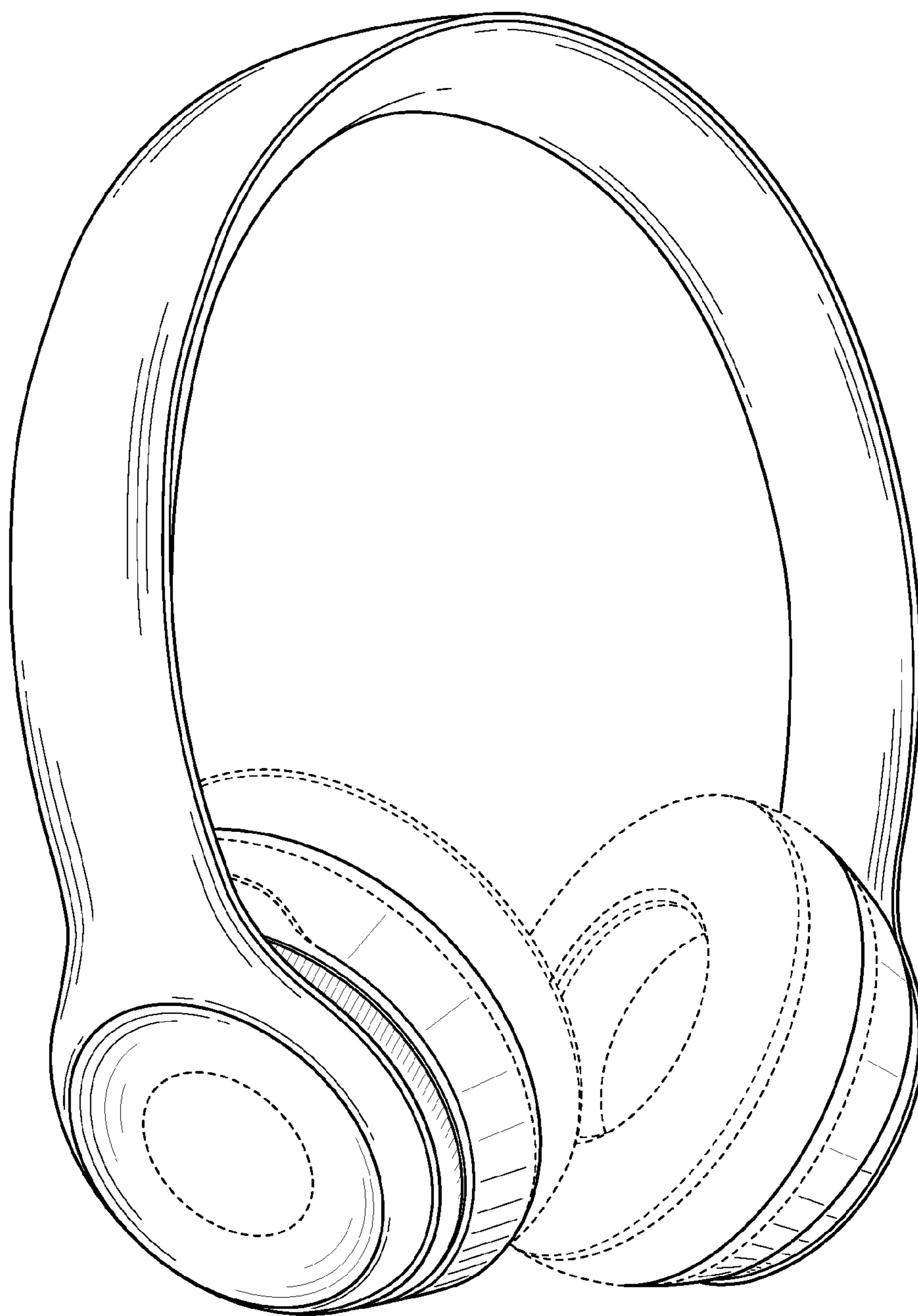


FIG. 1

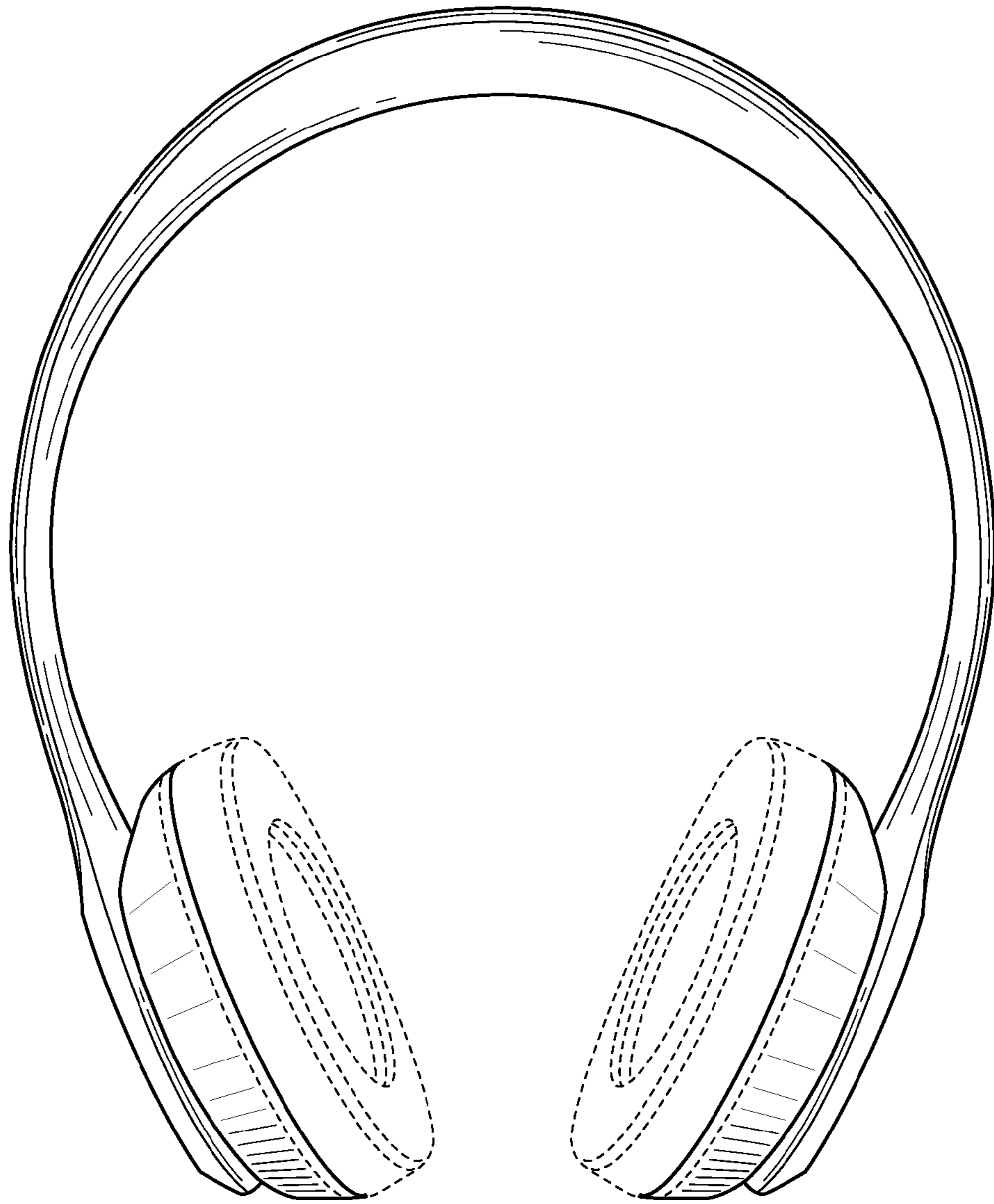


FIG. 2

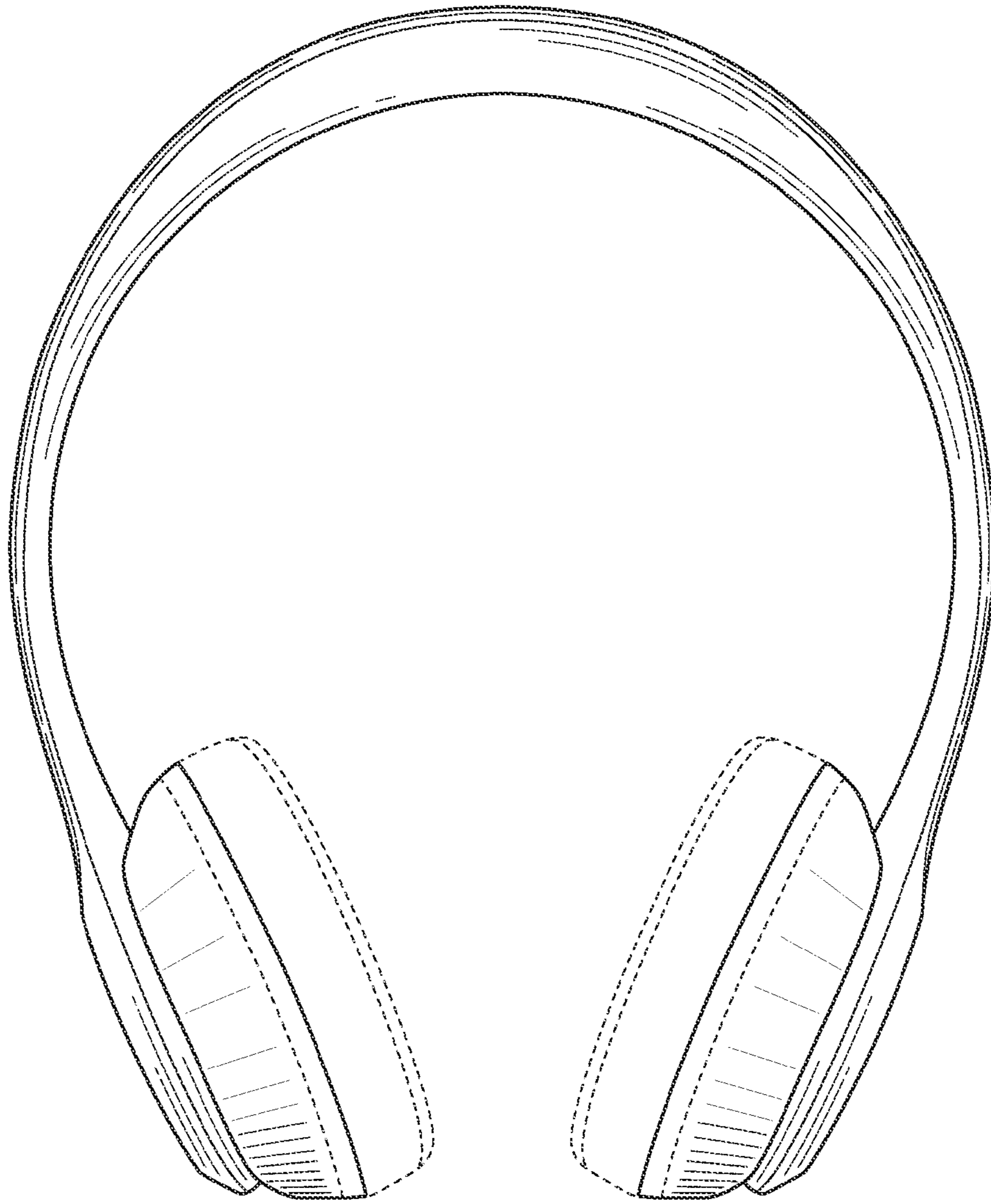


FIG. 3

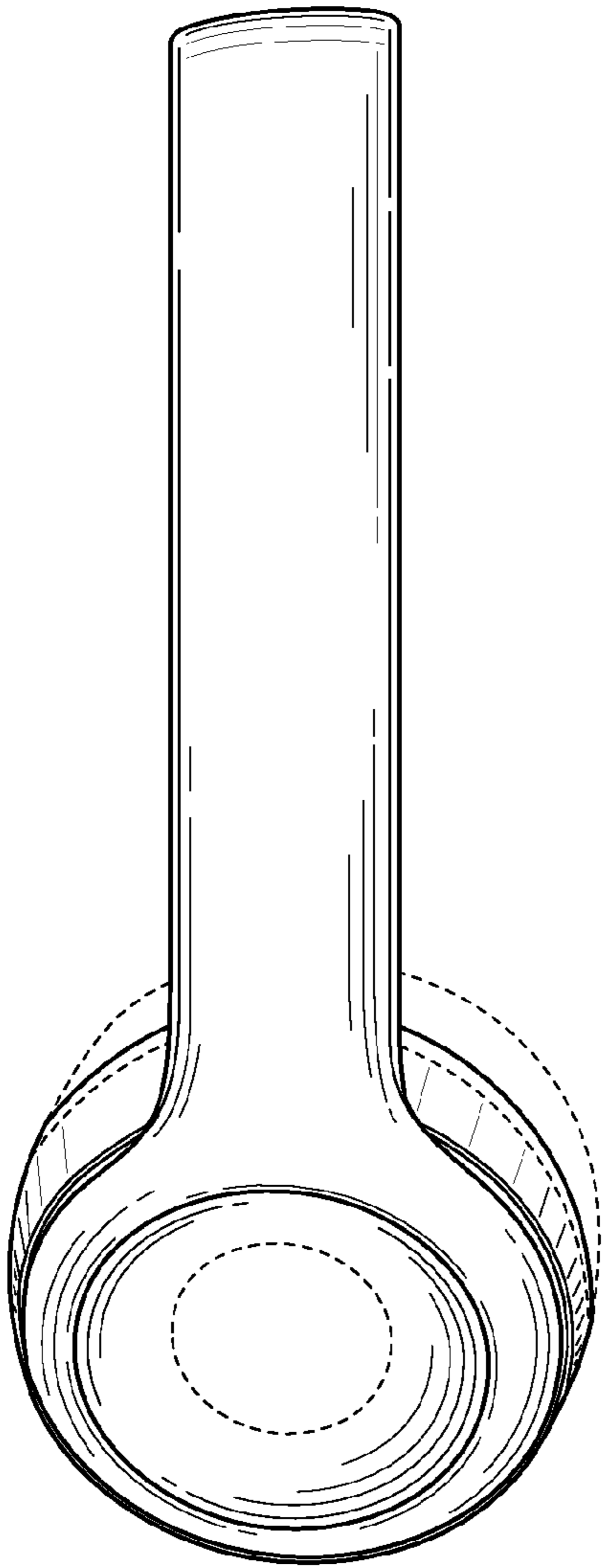


FIG. 4

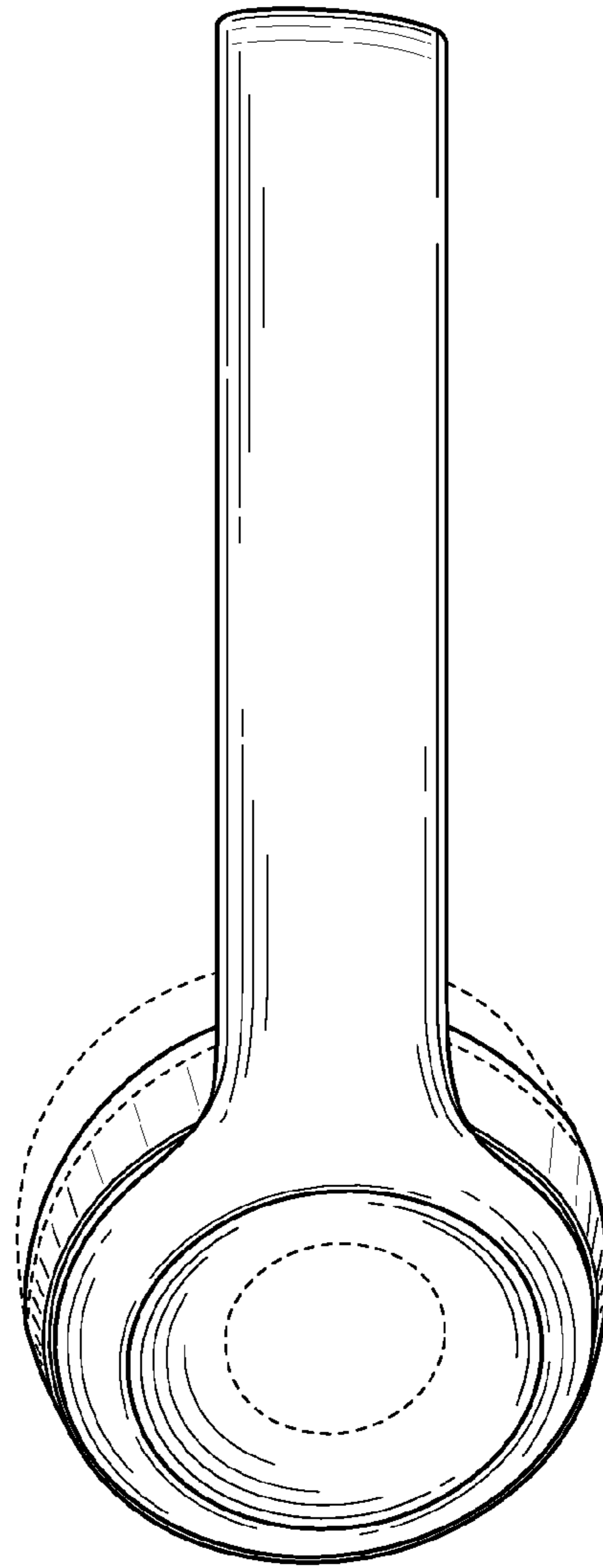


FIG. 5

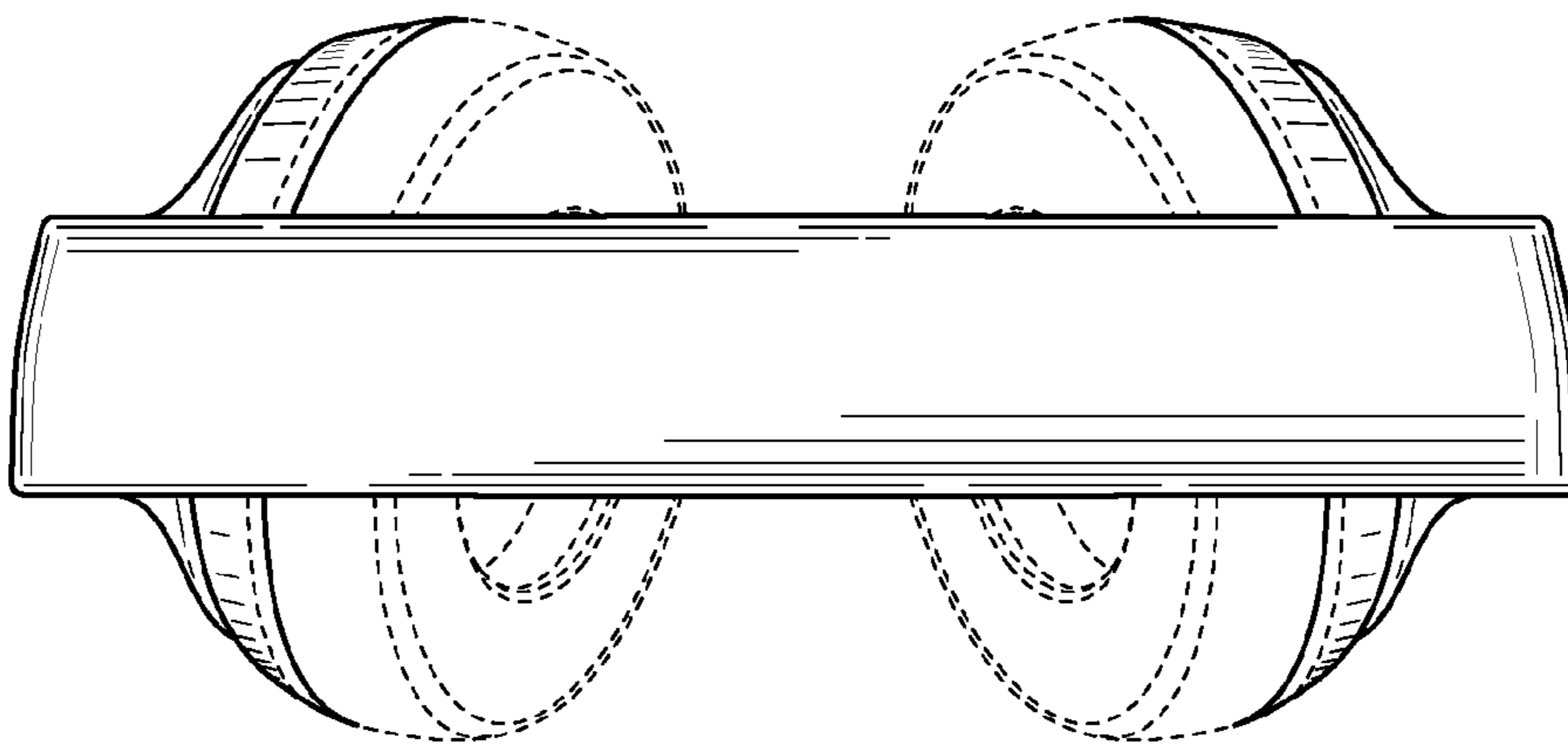


FIG. 6