



US00D738348S

(12) **United States Design Patent**
Kouthoofd

(10) **Patent No.:** **US D738,348 S**

(45) **Date of Patent:** **** Sep. 8, 2015**

(54) **SYNTHESIZER**

(71) Applicant: **Teenage Engineering AB**, Stockholm (SE)

(72) Inventor: **Jesper Kouthoofd**, Stockholm (SE)

(73) Assignee: **TEENAGE ENGINEERING AB**, Stockholm (SE)

(**) Term: **14 Years**

(21) Appl. No.: **29/506,831**

(22) Filed: **Oct. 21, 2014**

(30) **Foreign Application Priority Data**

Apr. 23, 2014 (EM) 002451443-0001

(51) **LOC (10) Cl.** **14-99**

(52) **U.S. Cl.**
USPC **D14/158**

(58) **Field of Classification Search**
USPC D14/167, 154, 168, 188, 496, 156, 160,
D14/161, 162, 163, 164, 165, 158, 341, 346,
D14/342, 345; D16/208; D26/38; 455/351,
455/350; D19/60, 62; D21/330
CPC G10L 13/10; G10L 13/06
See application file for complete search history.

(56) **References Cited**

U.S. PATENT DOCUMENTS

D278,707 S *	5/1985	Swinney	D14/158
D364,390 S *	11/1995	Shreeve et al.	D14/158
D410,228 S *	5/1999	Jones	D14/158
D435,839 S *	1/2001	Rodriguez et al.	D14/158
D473,203 S *	4/2003	Enos et al.	D14/158
D483,734 S *	12/2003	Brown	D14/158
D487,074 S *	2/2004	McGoldrick	D14/158
D577,708 S *	9/2008	von Meiss et al.	D14/158
D579,440 S *	10/2008	Wiley	D14/158
D592,177 S *	5/2009	Dobbs et al.	D14/158
D595,686 S *	7/2009	Mosher	D14/158
D717,268 S *	11/2014	Alsolami	D14/158

* cited by examiner

Primary Examiner — Austin Murphy

(74) *Attorney, Agent, or Firm* — Remarck Law Group PLC

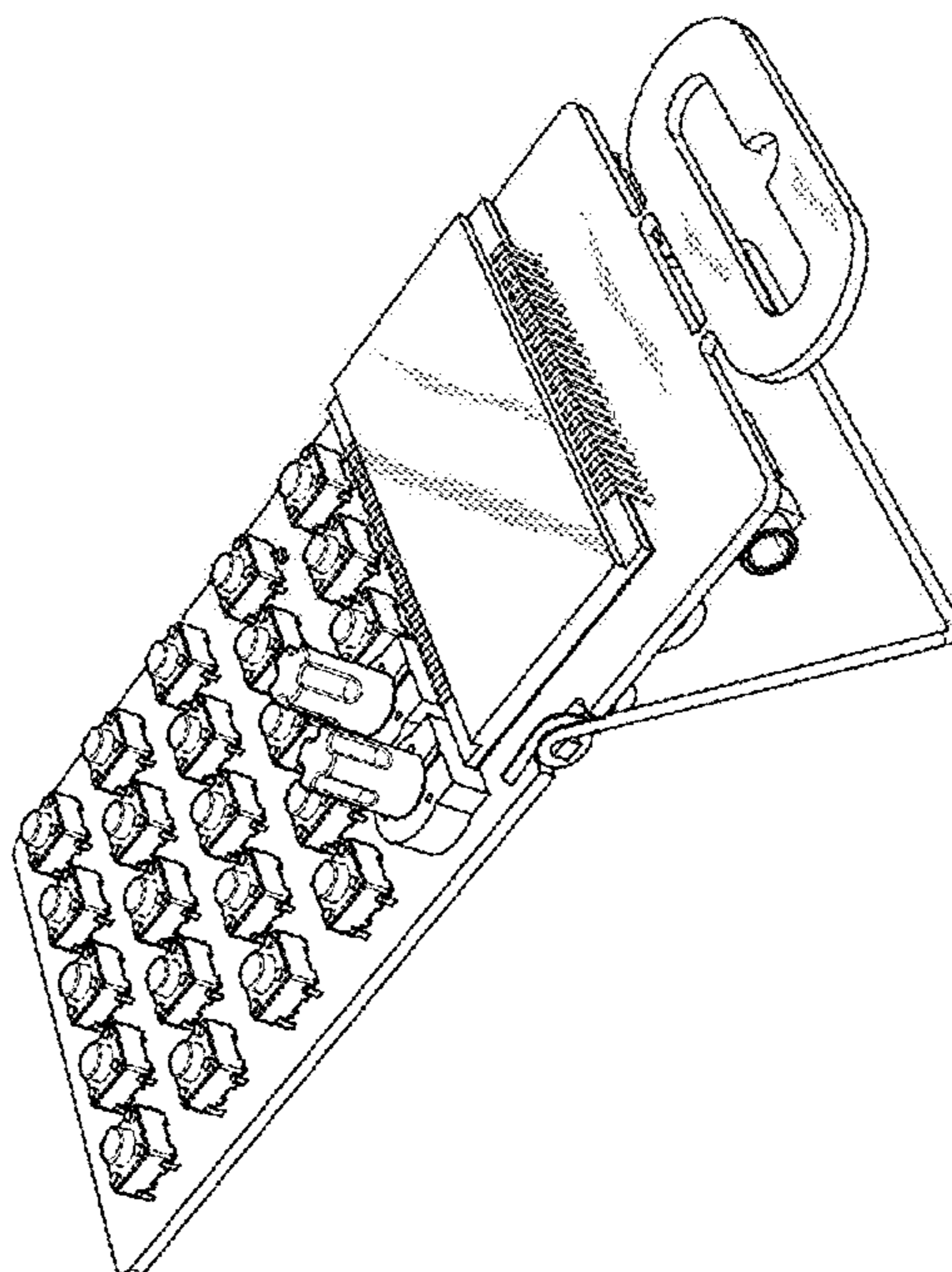
(57) **CLAIM**

The ornamental design for a synthesizer, as shown and described.

DESCRIPTION

FIG. 1 is a front perspective view of a synthesizer showing my new design;
FIG. 2 is a rear perspective view of the synthesizer of FIG. 1;
FIG. 3 is a front view of the synthesizer of FIG. 1;
FIG. 4 is a rear view of the synthesizer of FIG. 1;
FIG. 5 is a side view of the synthesizer of FIG. 1;
FIG. 6 is a first end view of the synthesizer of FIG. 1; and,
FIG. 7 is a second end view of the synthesizer of FIG. 1.
The broken line showing of portions of a synthesizer is included for the purpose of illustrating environmental structure and forms no part of the claimed design.

1 Claim, 7 Drawing Sheets



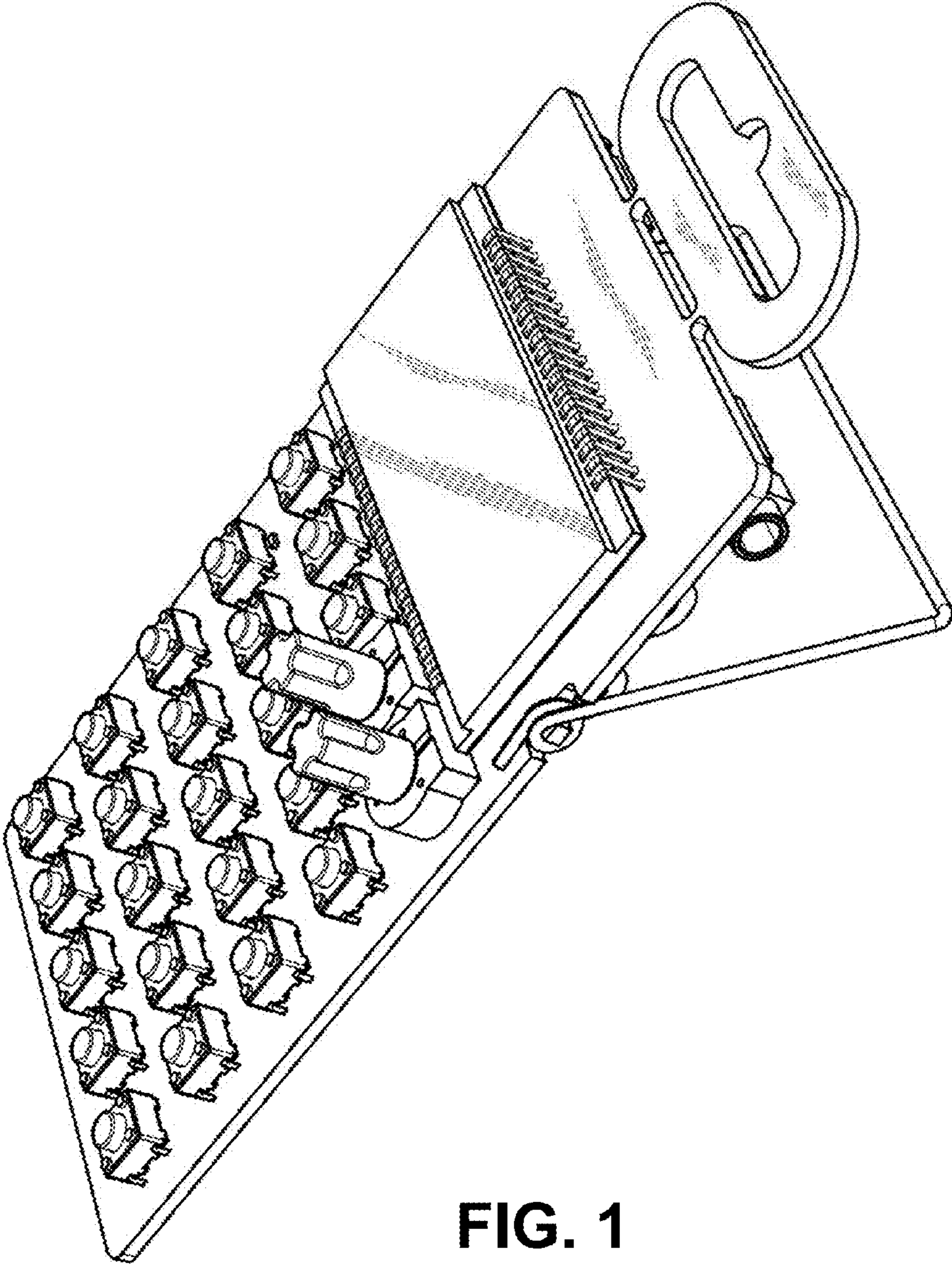


FIG. 1

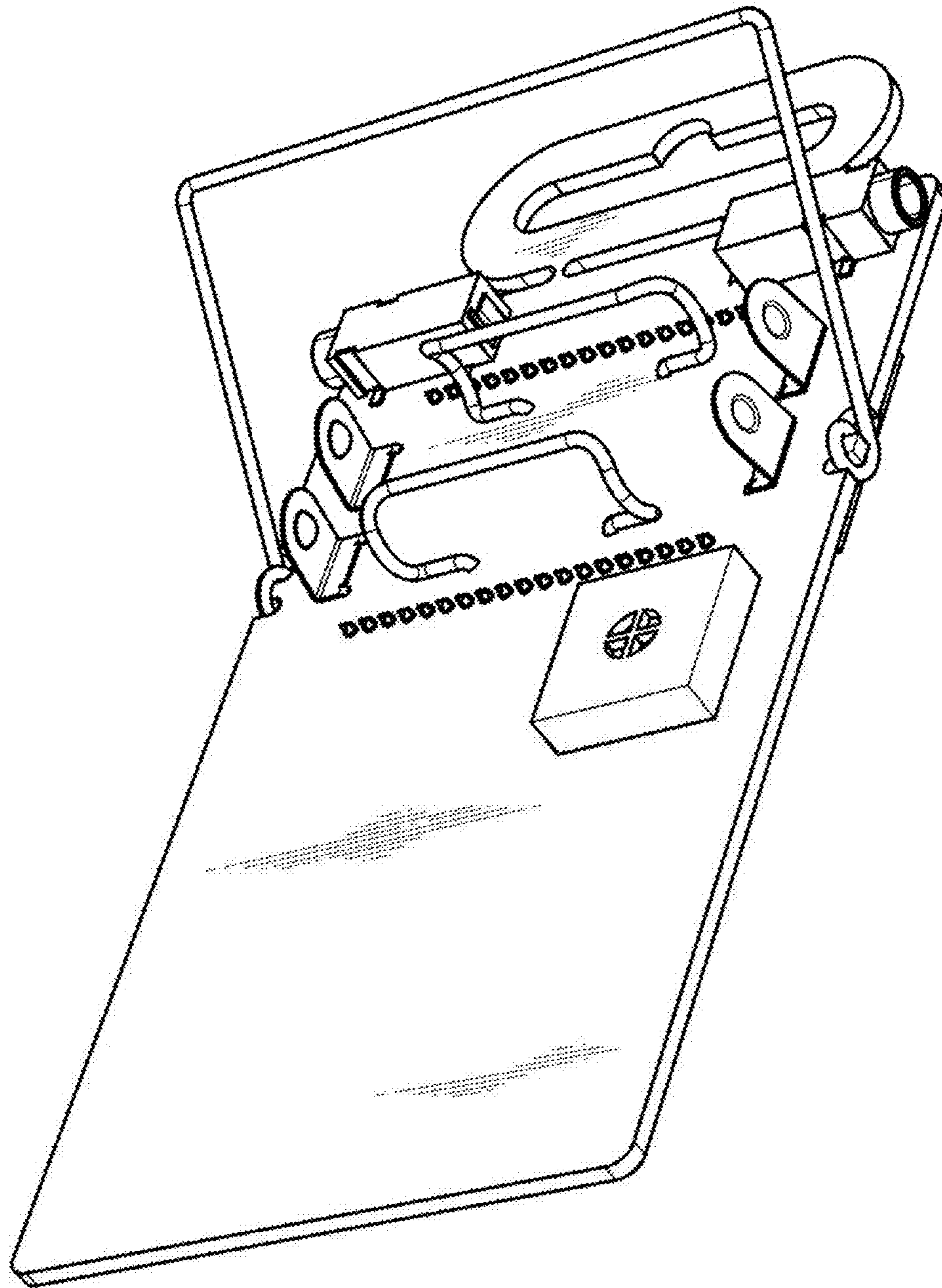


FIG. 2

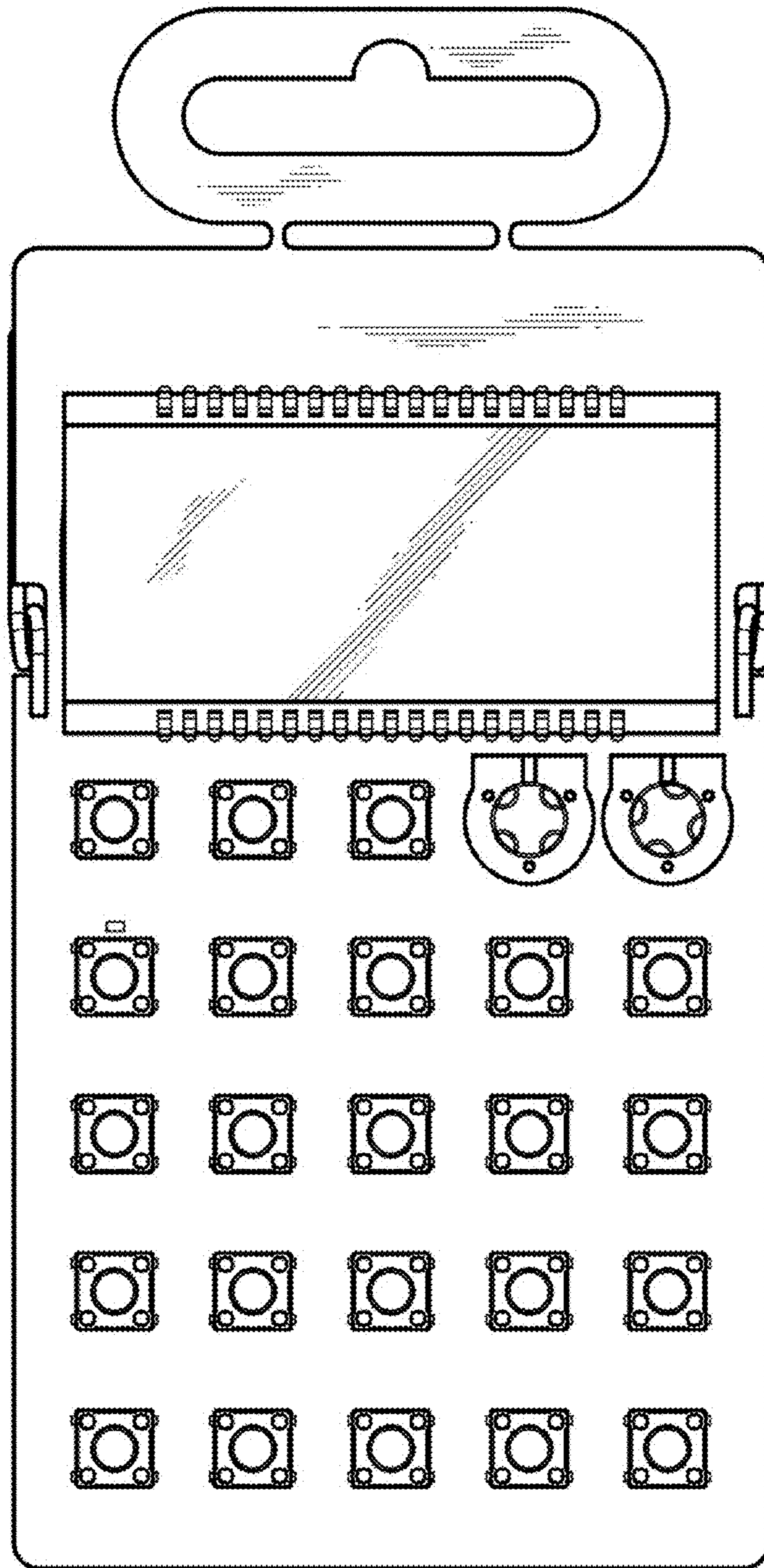
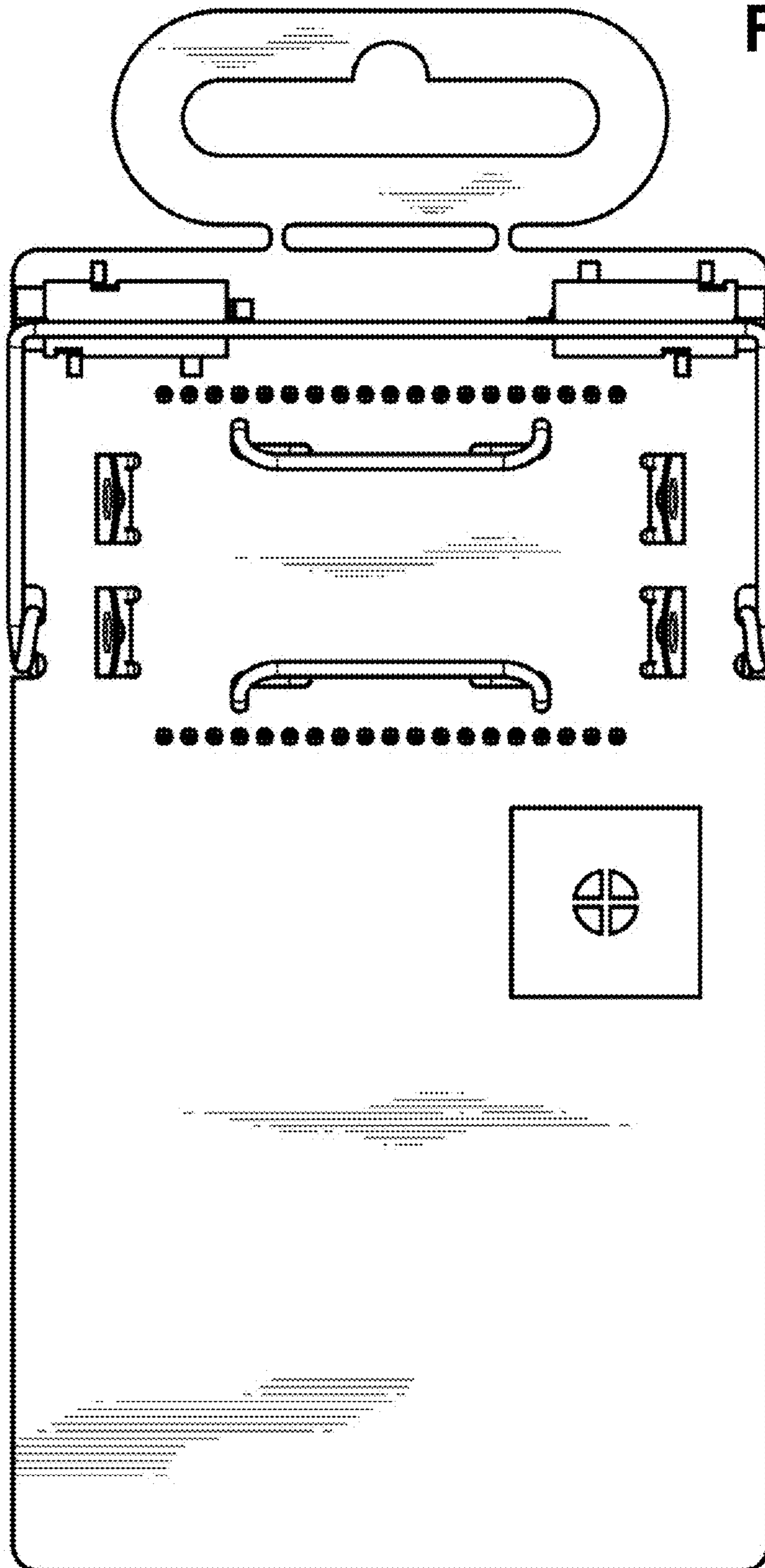


FIG. 3

FIG. 4



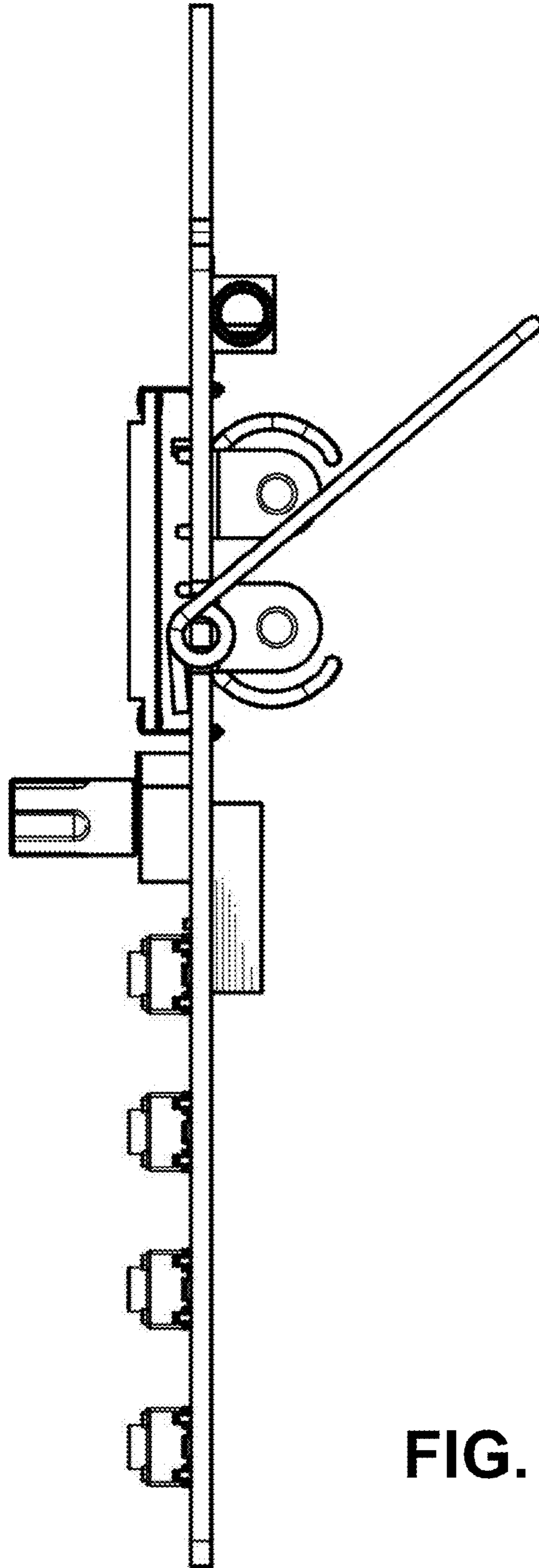


FIG. 5

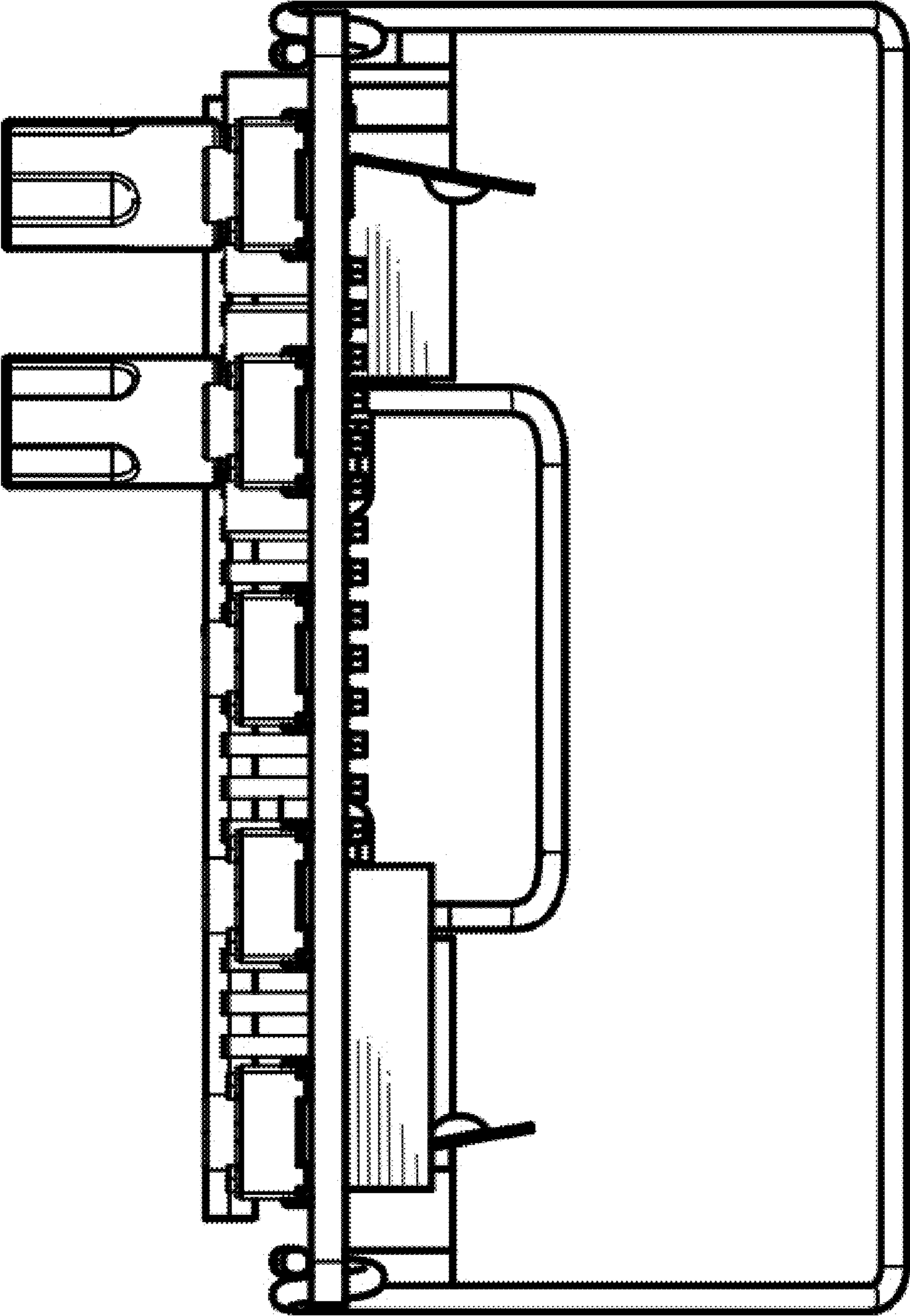


FIG. 6

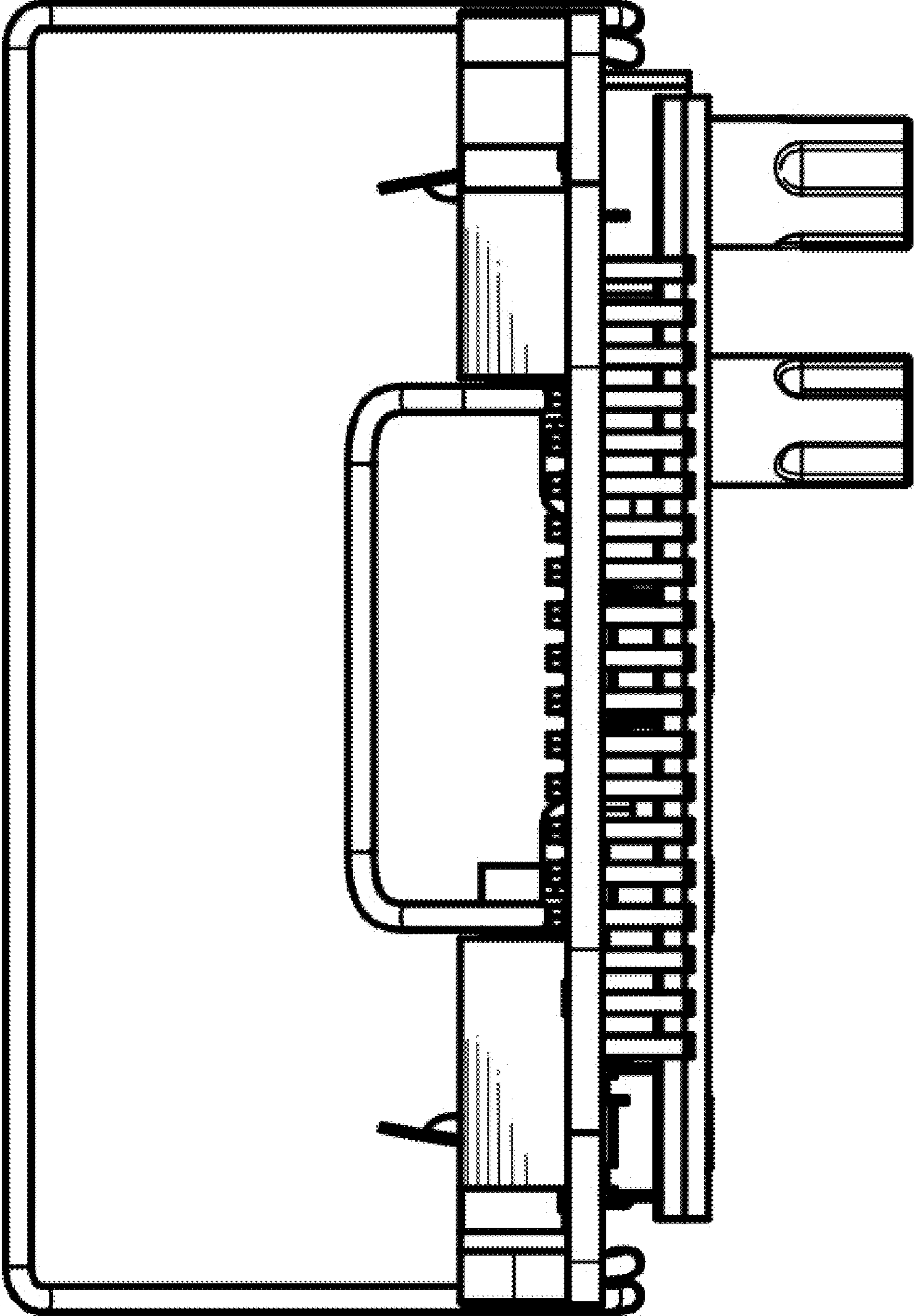


FIG. 7