

US00D738347S

(12) **United States Design Patent**
Reimer et al.

(10) **Patent No.:** **US D738,347 S**
(45) **Date of Patent:** **** Sep. 8, 2015**

(54) **WIRELESS TRANSMITTER**
(71) Applicant: **Robert Bosch GmbH**, Stuttgart (DE)
(72) Inventors: **Michael Earl Reimer**, Batavia, NY (US); **James Bruce Thornton**, Webster, NY (US); **Robert Edwin Walters**, Webster, NY (US)
(73) Assignee: **Robert Bosch GmbH**, Stuttgart (DE)
(**) Term: **14 Years**

D556,199 S 11/2007 Song
D561,198 S 2/2008 Zhang
D563,334 S * 3/2008 Wang D14/125
D566,710 S 4/2008 Chun et al.
D589,914 S 4/2009 Wang et al.
D604,254 S 11/2009 Lanfear et al.
D609,701 S 2/2010 Hou
D641,019 S 7/2011 Chen et al.
D647,920 S 11/2011 Luo
D661,211 S * 6/2012 Hou D10/104.1
D663,319 S 7/2012 Chen et al.
D680,458 S 4/2013 Corso et al.
D681,034 S 4/2013 Chen
D699,614 S 2/2014 Ke

(Continued)

(21) Appl. No.: **29/514,533**
(22) Filed: **Jan. 13, 2015**
(51) **LOC (10) Cl.** **14-03**
(52) **U.S. Cl.**
USPC **D14/155**
(58) **Field of Classification Search**
USPC D14/155, 383, 159, 167, 154, 168, 188,
D14/496, 165, 158, 137; 455/350, 351, 353;
D10/104.1, 78, 106.1-106.7; D9/414,
D9/424
CPC H04B 1/04; H04L 27/29; G08C 17/00;
H02J 7/0052; H02J 5/005; H03K 5/003
See application file for complete search history.

OTHER PUBLICATIONS

“4 Channel Button Remote Control”. rapidrelays.com. Web. Jun. 1, 2015.*

Primary Examiner — Robert M Spear
Assistant Examiner — Kendra L Hamilton
(74) *Attorney, Agent, or Firm* — Michael Best & Friedrich LLP

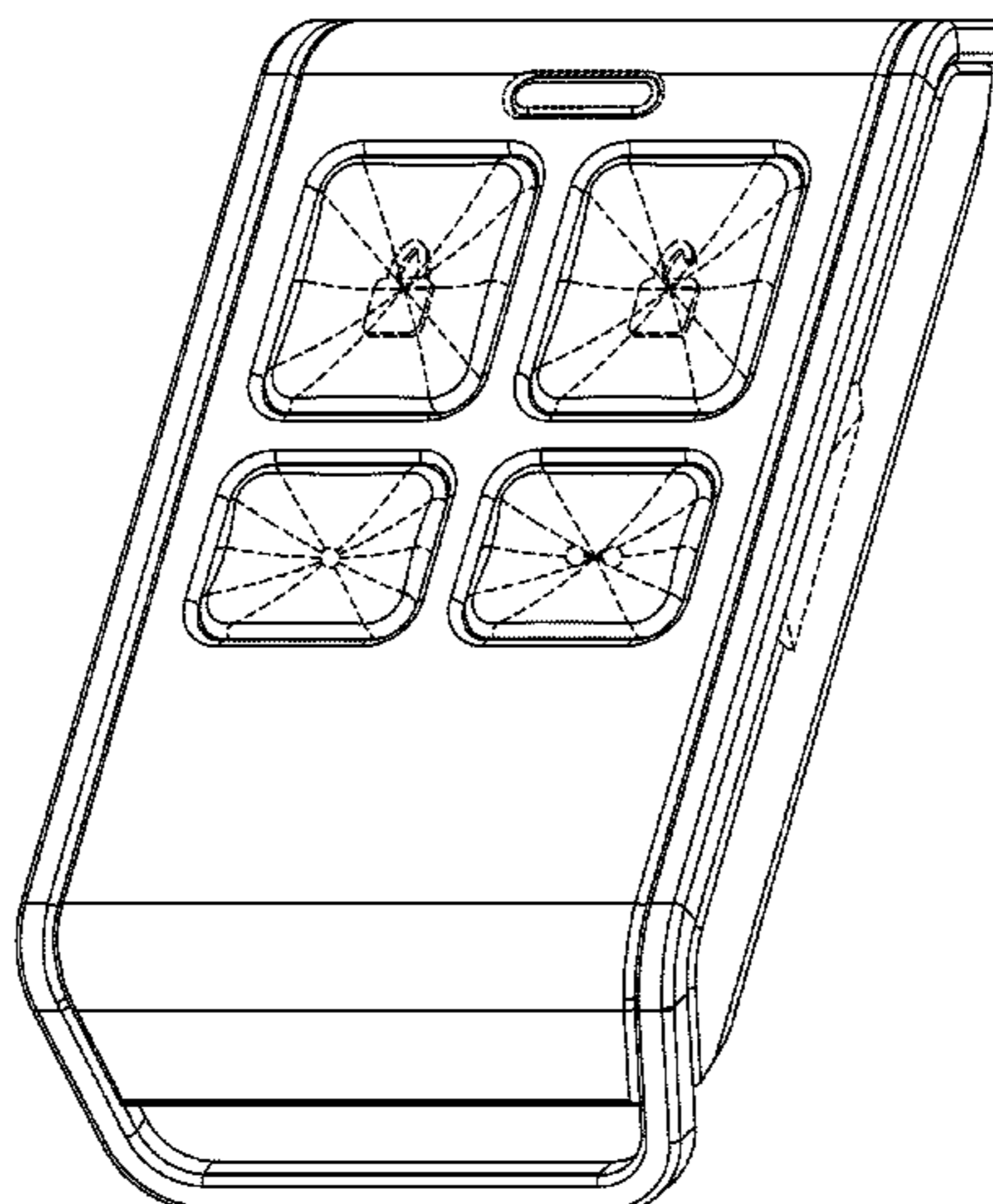
(57) **CLAIM**
What is claimed is the ornamental design for a wireless transmitter, as shown and described.

DESCRIPTION

FIG. 1 is a bottom right perspective view of the wireless transmitter;
FIG. 2 is a front view thereof;
FIG. 3 is a rear view thereof;
FIG. 4 is a right side view thereof;
FIG. 5 is a left side view thereof;
FIG. 6 is a top view thereof; and,
FIG. 7 is a bottom view thereof.
The portions of the Figures shown in broken lines disclose environmental structure and form no part of the claimed design.

(56) **References Cited**
U.S. PATENT DOCUMENTS
D229,085 S * 11/1973 Lutenegger D10/38
D246,034 S * 10/1977 Sparks et al. D10/106.1
D273,786 S * 5/1984 Owerko D14/155
D297,128 S 8/1988 Guscott et al.
D303,638 S 9/1989 Andrews et al.
D504,442 S * 4/2005 Kim D14/203.7
D514,123 S * 1/2006 Naruki et al. D14/203.3
D525,198 S * 7/2006 Ikeda et al. D13/123
D537,837 S * 3/2007 Naruki et al. D14/203.7
D539,305 S * 3/2007 Kim et al. D14/203.7
D541,272 S 4/2007 Wang
D555,528 S 11/2007 Viscaino

1 Claim, 5 Drawing Sheets



(56)

References Cited

U.S. PATENT DOCUMENTS

D699,615 S 2/2014 Ke
D699,616 S 2/2014 Ke
D708,977 S 7/2014 Corso et al.
D709,854 S 7/2014 Pan

D721,370 S * 1/2015 Barfoot et al. D14/400
D723,504 S 3/2015 Reimer et al.
D726,179 S * 4/2015 Orthey D14/358
D730,311 S * 5/2015 Reimer et al. D14/155
2006/0238529 A1 10/2006 Lavelle et al.

* cited by examiner

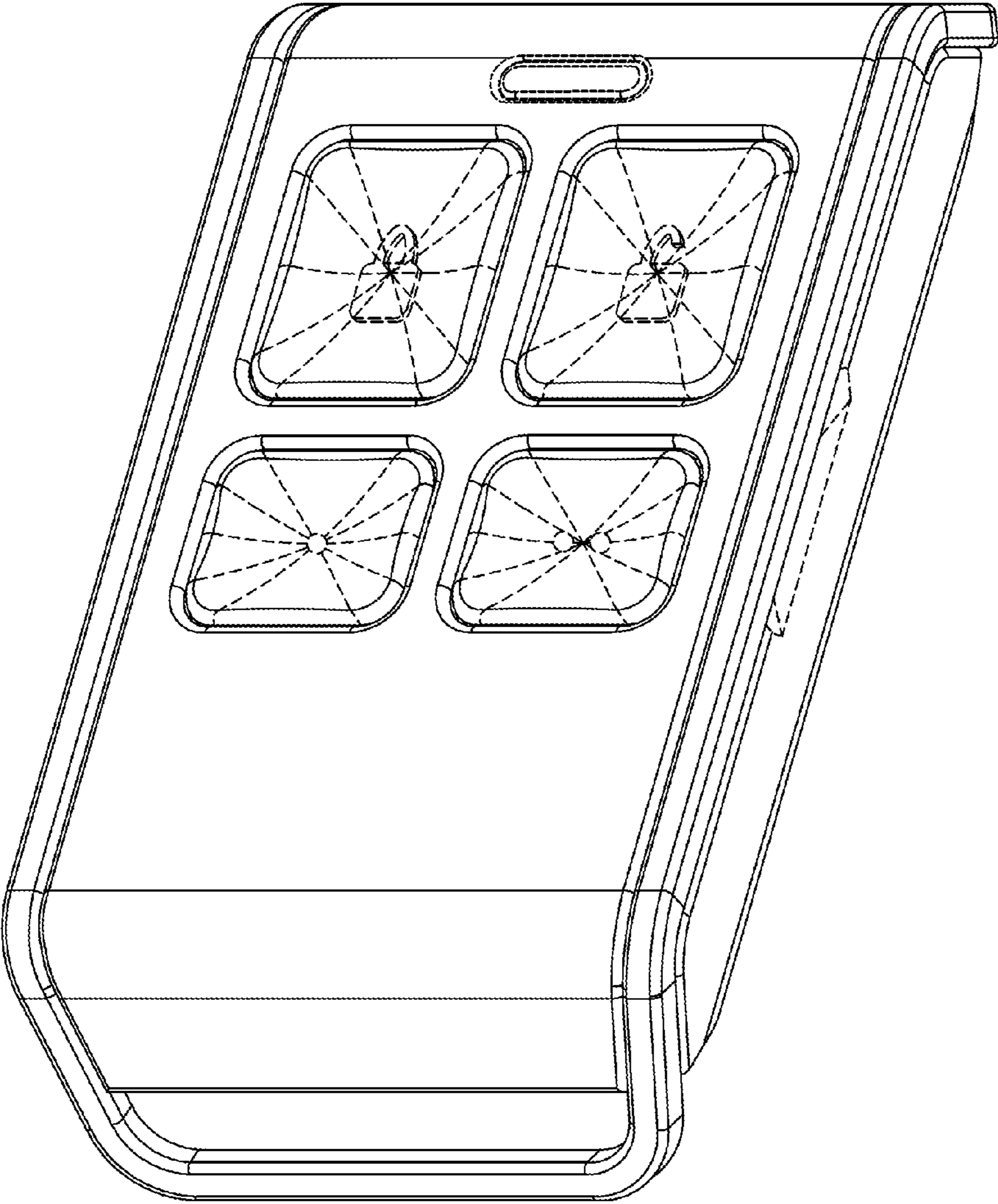


Fig. 1

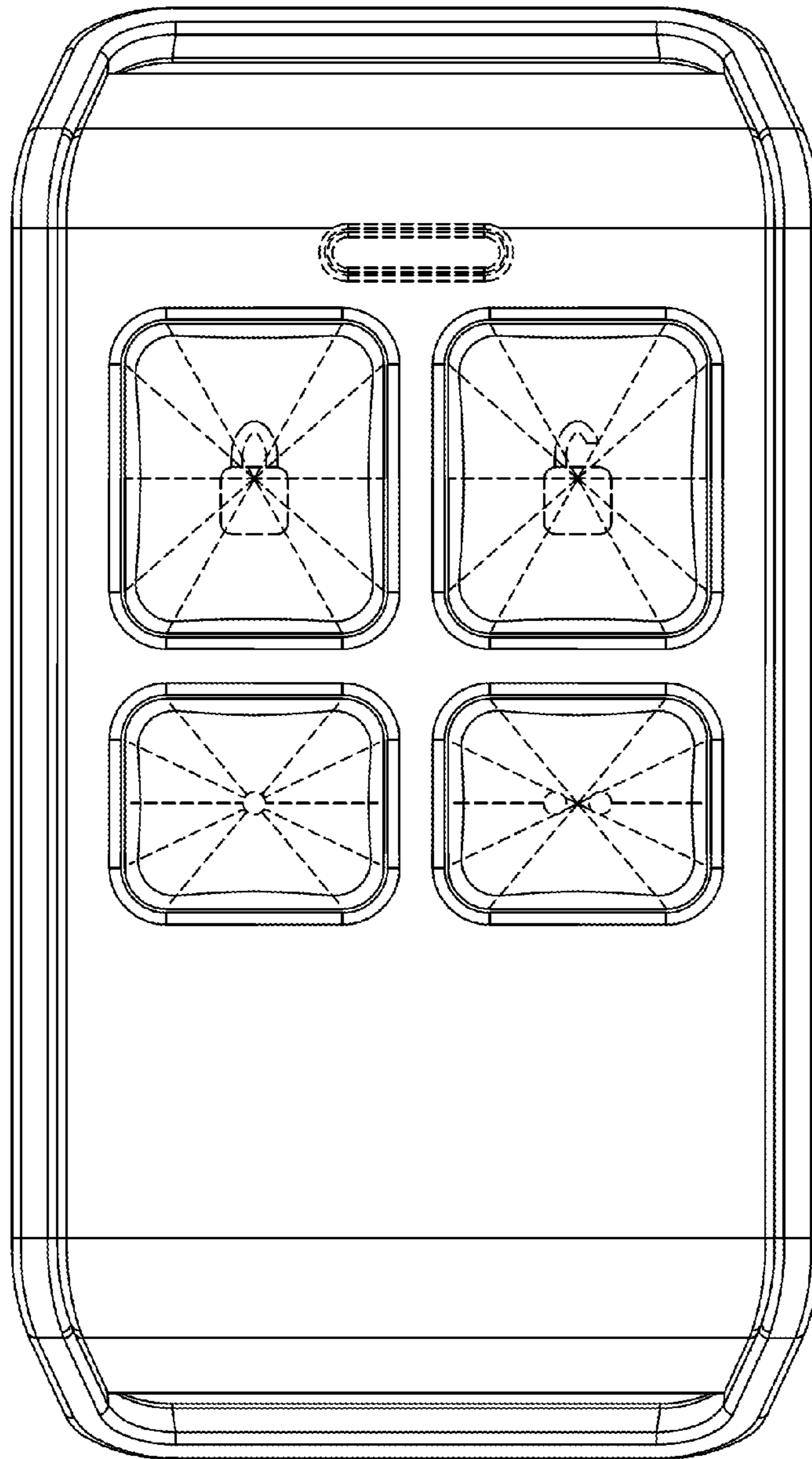


Fig. 2

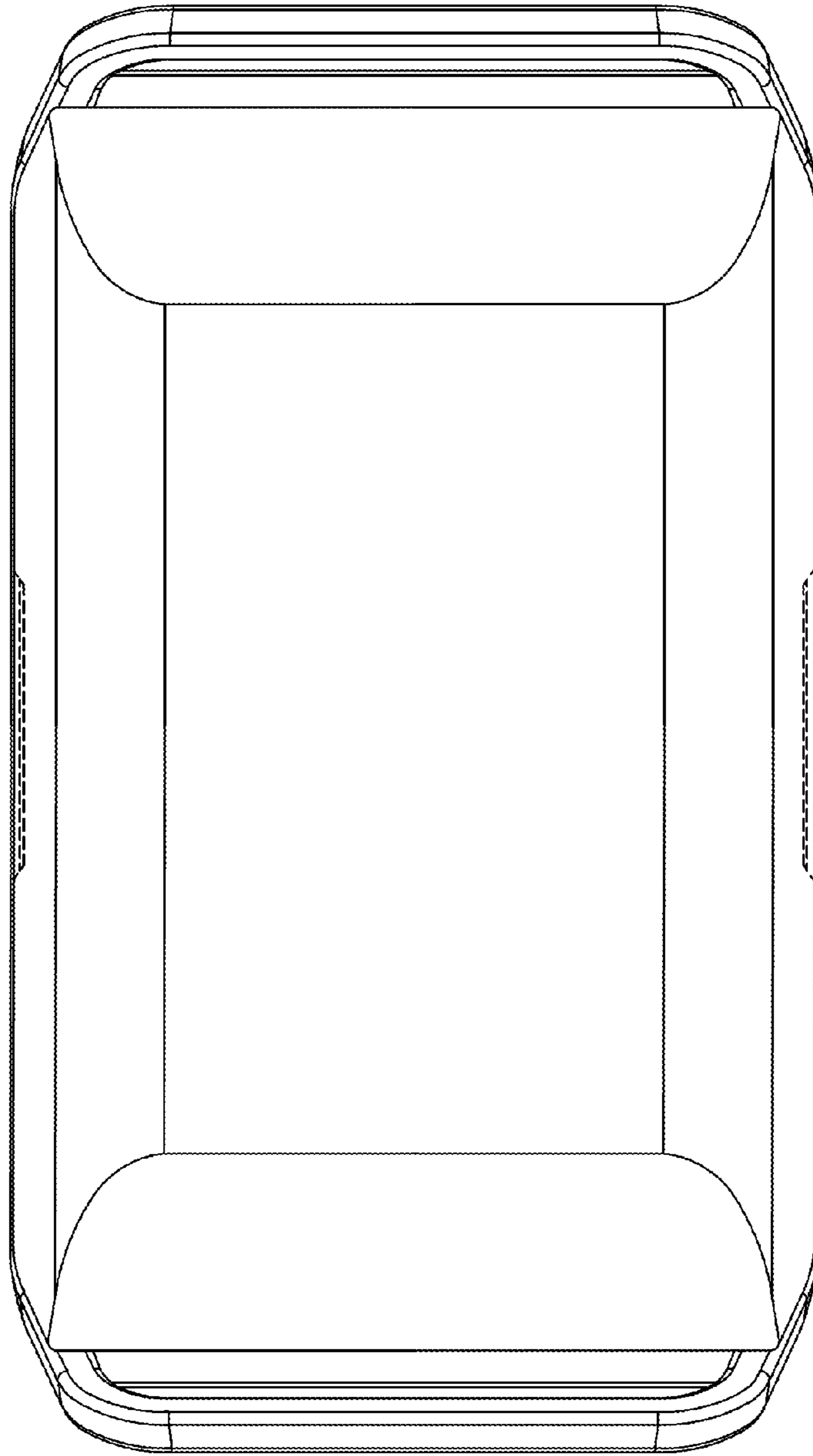


Fig. 3

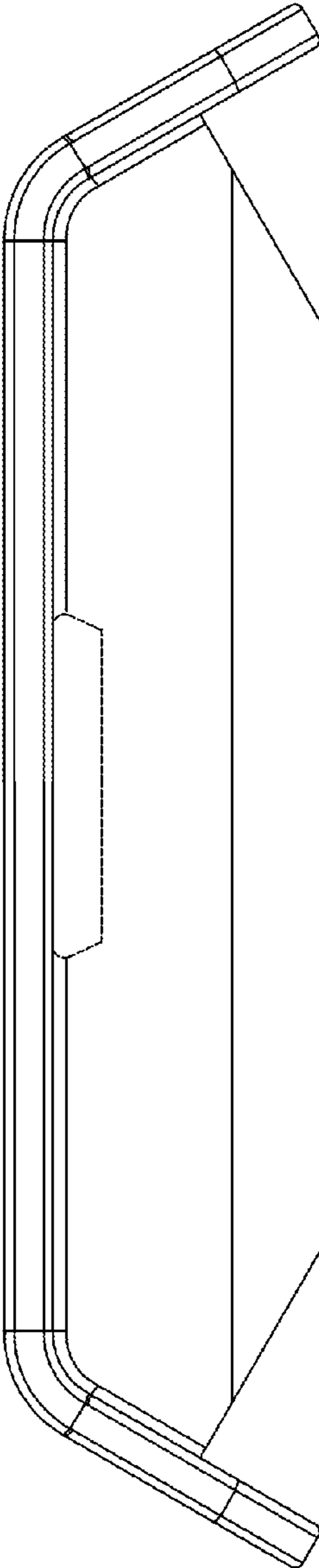


Fig. 4

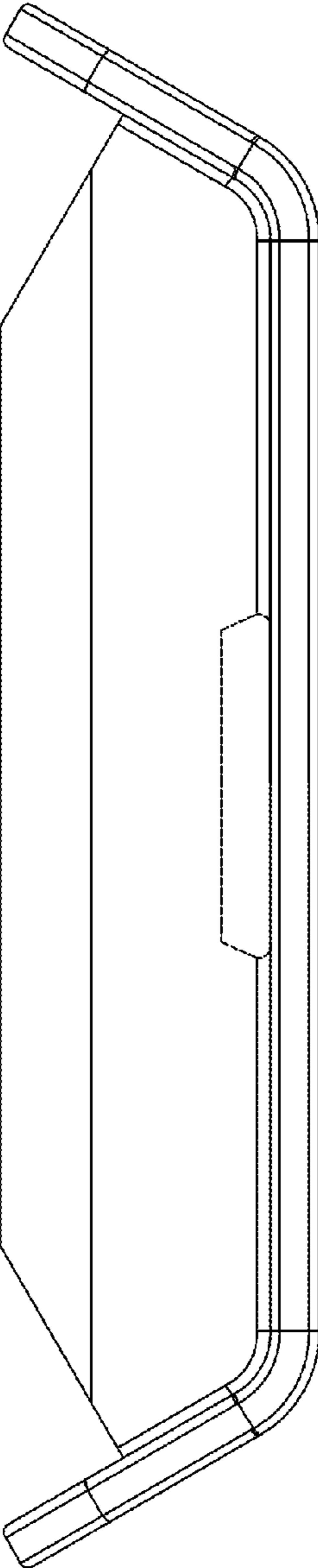


Fig. 5

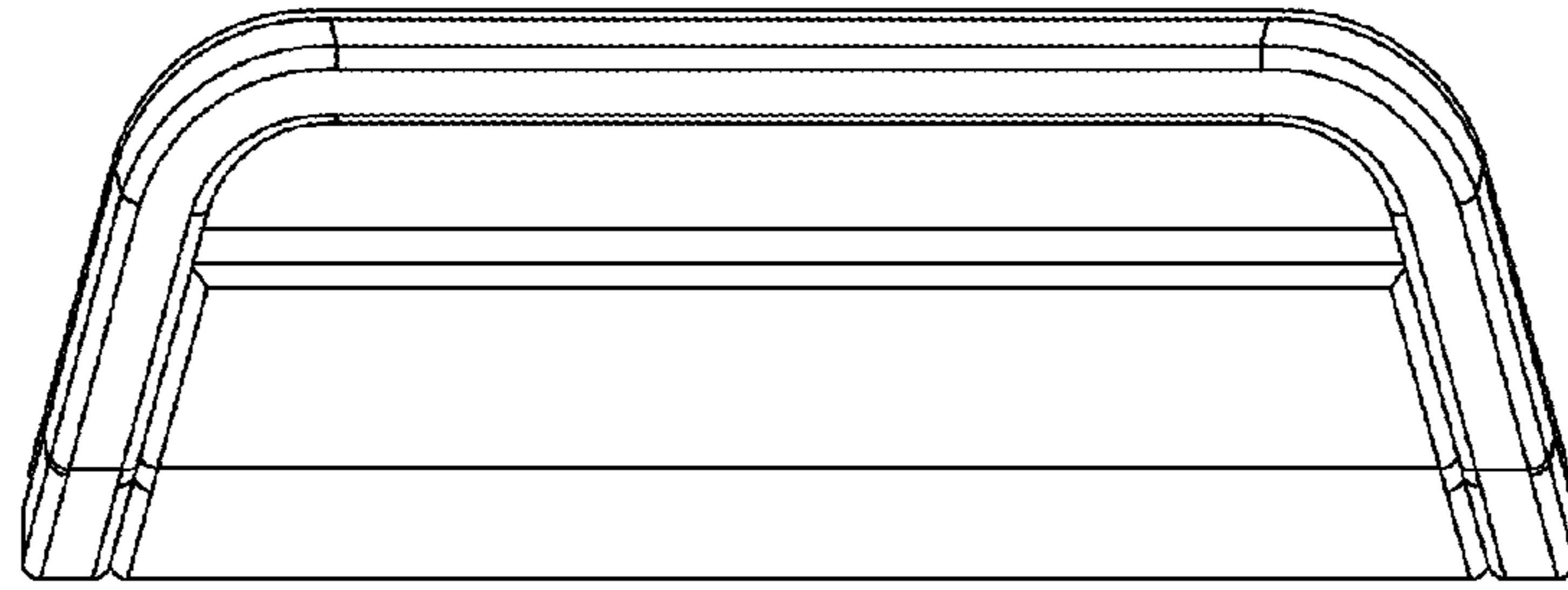


Fig. 6

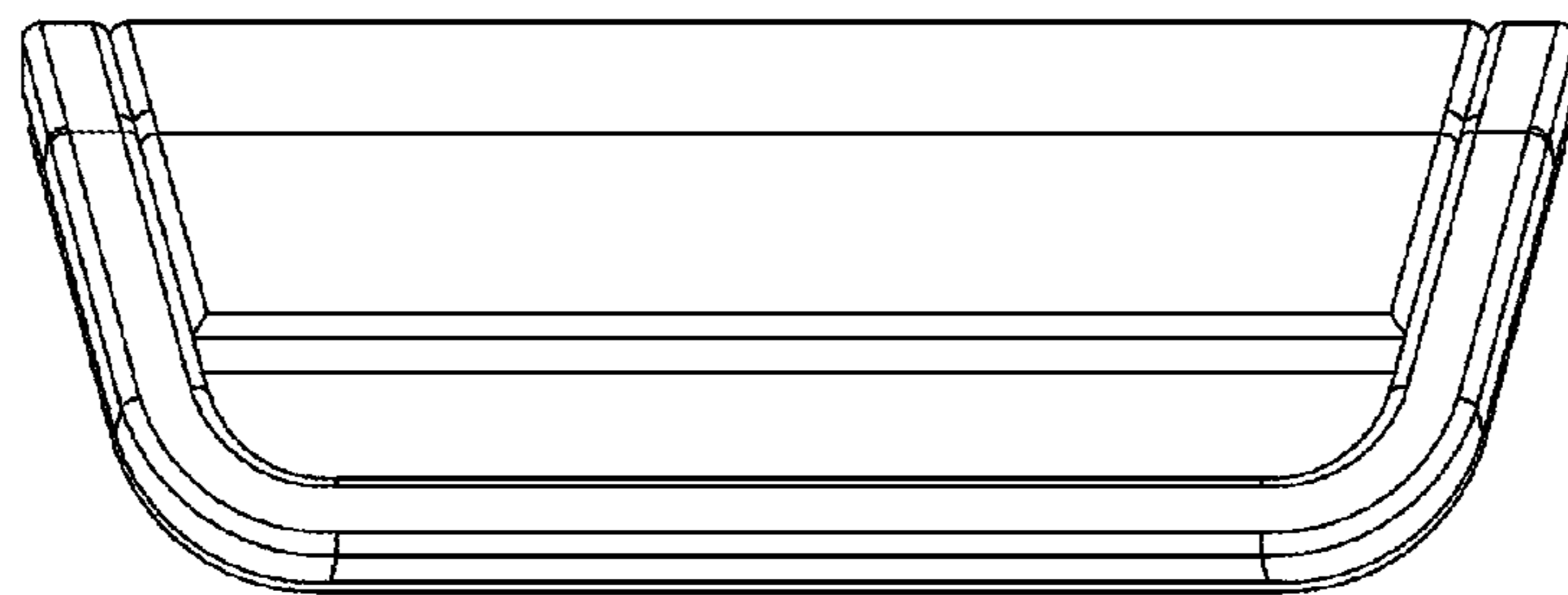


Fig. 7