



US00D738338S

(12) **United States Design Patent**
Lee et al.

(10) **Patent No.:** **US D738,338 S**
(45) **Date of Patent:** **** Sep. 8, 2015**

- (54) **TELEVISION RECEIVER**
- (71) Applicant: **Samsung Electronics Co., Ltd.**,
Suwon-si (KR)
- (72) Inventors: **Giljae Lee**, Seoul (KR); **Jaehyung Kim**,
Gwangju Si (KR); **BoKyung Seong**,
Daejeon (KR)
- (73) Assignee: **Samsung Electronics Co., Ltd.**,
Suwon-si (KR)

D703,167 S *	4/2014	McManigal	D14/126
D703,631 S *	4/2014	Hallar et al.	D14/129
D706,734 S *	6/2014	Takami et al.	D14/126
D715,243 S *	10/2014	Jang et al.	D14/126
D715,753 S *	10/2014	Jang et al.	D14/126
D715,755 S *	10/2014	Jang et al.	D14/126
D717,751 S *	11/2014	Shin et al.	D14/126
D718,728 S *	12/2014	Park	D14/126
D718,729 S *	12/2014	Park	D14/126
D723,484 S *	3/2015	Hwangbo et al.	D14/126
D724,040 S *	3/2015	Chan	D14/126
D725,057 S *	3/2015	Seo et al.	D14/126
D725,617 S *	3/2015	Choi	D14/126

(**) Term: **14 Years**

* cited by examiner

(21) Appl. No.: **29/483,026**

Primary Examiner — Eric Goodman

(22) Filed: **Feb. 25, 2014**

Assistant Examiner — Clese Moore, Jr.

(30) **Foreign Application Priority Data**

(74) *Attorney, Agent, or Firm* — NSIP Law

Sep. 4, 2013 (KR) 30-2013-0045782

(51) **LOC (10) Cl.** **14-03**

(52) **U.S. Cl.**
USPC **D14/126**

(58) **Field of Classification Search**
USPC D14/125–134, 239, 371, 374–377, 450,
D14/448, 336, 159; D6/300; D10/15, 26;
D21/329, 515, 577, 333, 331;
D16/241; 312/7.2; 345/104, 156, 168,
345/87, 173, 690; 446/484, 175; 273/148 B;
248/917–924, 465; 348/836, 838, 180,
348/184, 325, 739
CPC H05K 5/0004; H05K 5/0017; H05K 5/02;
H05K 5/0216; G06F 1/1601; G06F 1/1643
See application file for complete search history.

(56) **References Cited**

U.S. PATENT DOCUMENTS

D670,256 S *	11/2012	Kim et al.	D14/126
D680,506 S *	4/2013	Lim et al.	D14/126
D684,944 S *	6/2013	Seong	D14/126
D696,212 S *	12/2013	Chen	D14/126
D697,884 S *	1/2014	Lee	D14/126

(57) **CLAIM**

We claim the ornamental design for a television receiver, as shown and described.

DESCRIPTION

FIG. 1 is a front perspective view of a television receiver showing our new design;
 FIG. 2 is a front view thereof;
 FIG. 3 is a rear view thereof;
 FIG. 4 is a left-side view thereof;
 FIG. 5 is a right-side view thereof;
 FIG. 6 is a top view thereof;
 FIG. 7 is a bottom view thereof;
 FIG. 8 is an enlarged view of the dot-dot-dash enclosed portion in FIG. 1;
 FIG. 9 is an enlarged view of the dot-dot-dash enclosed portion in FIG. 2; and,
 FIG. 10 is a rear perspective view of FIG. 1.
 The broken lines in the figures show portions of the television receiver which form no part of the claimed design.
 The dot-dot-dash broken lines enclosing portions of the claimed design that are illustrated in enlargements form no part of the claimed design.

1 Claim, 10 Drawing Sheets

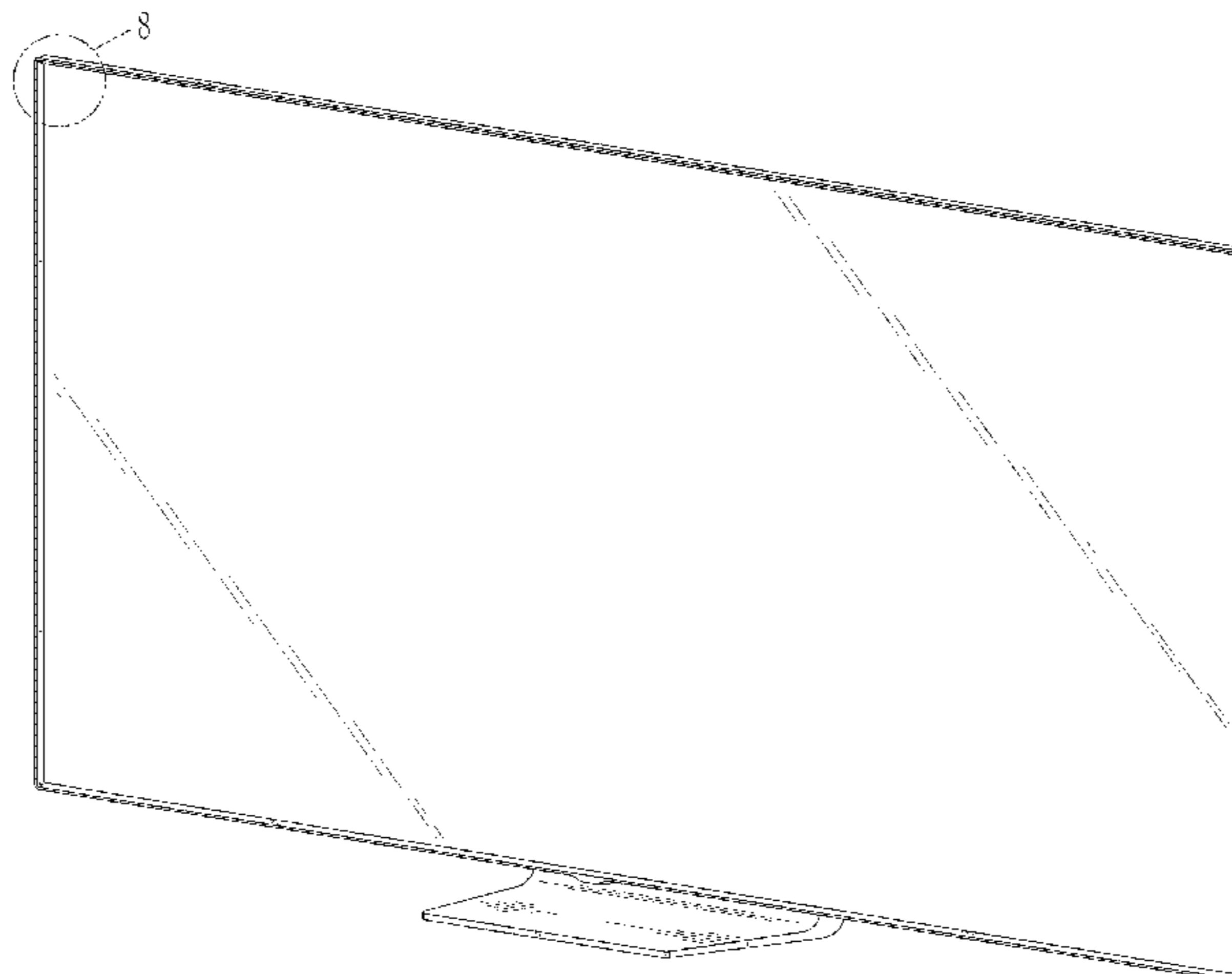


FIG. 1

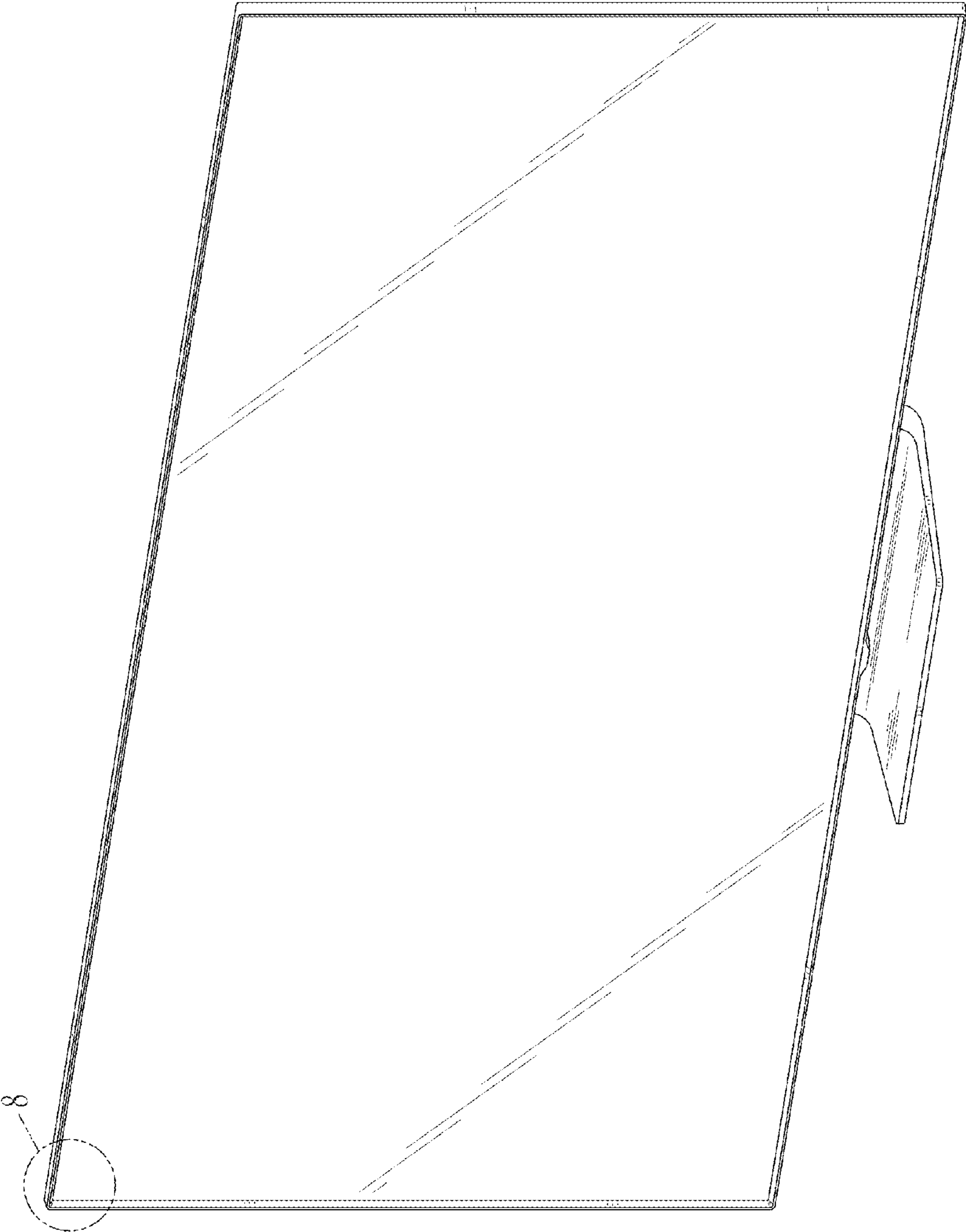


FIG. 2

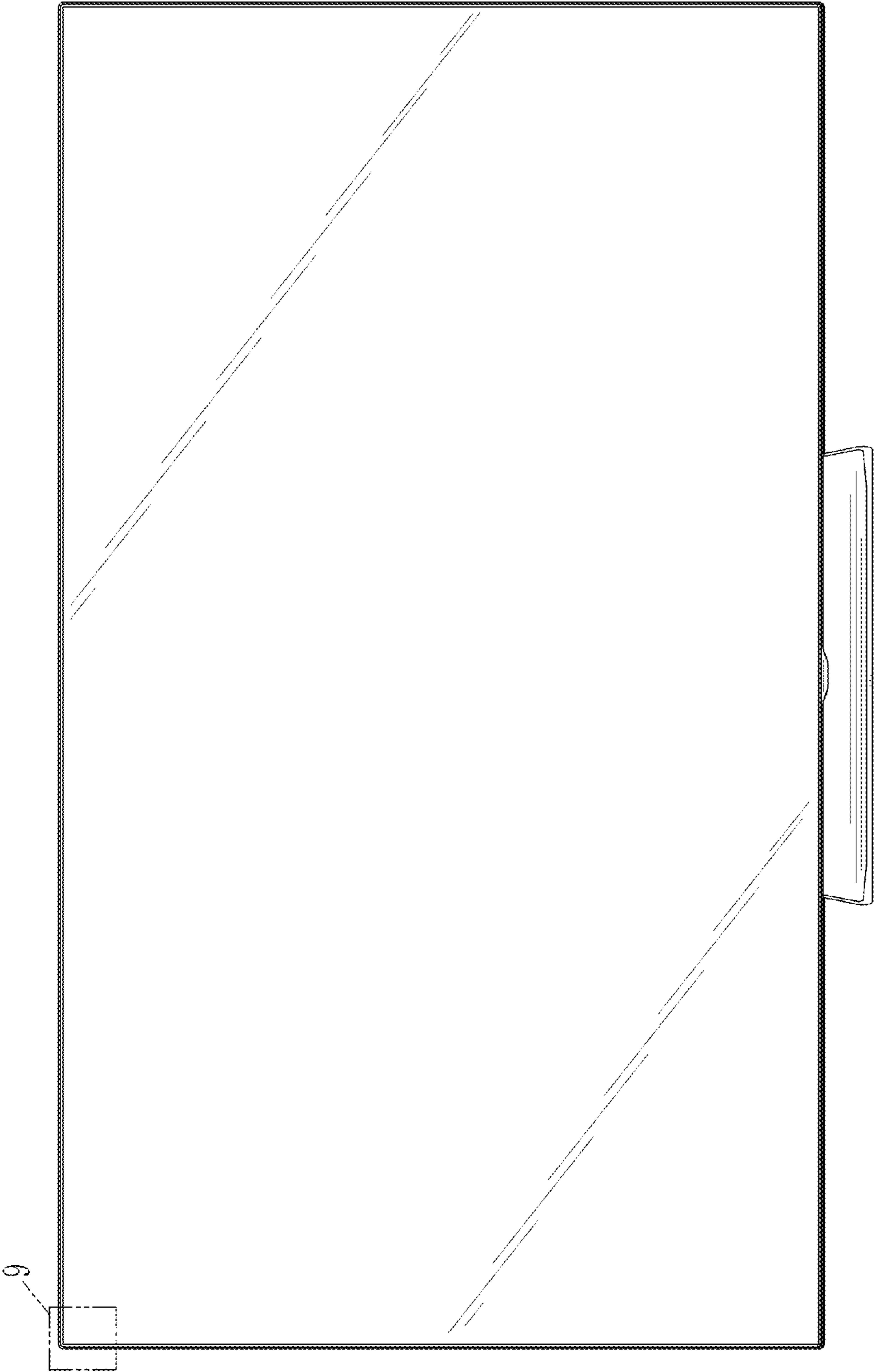


FIG. 3

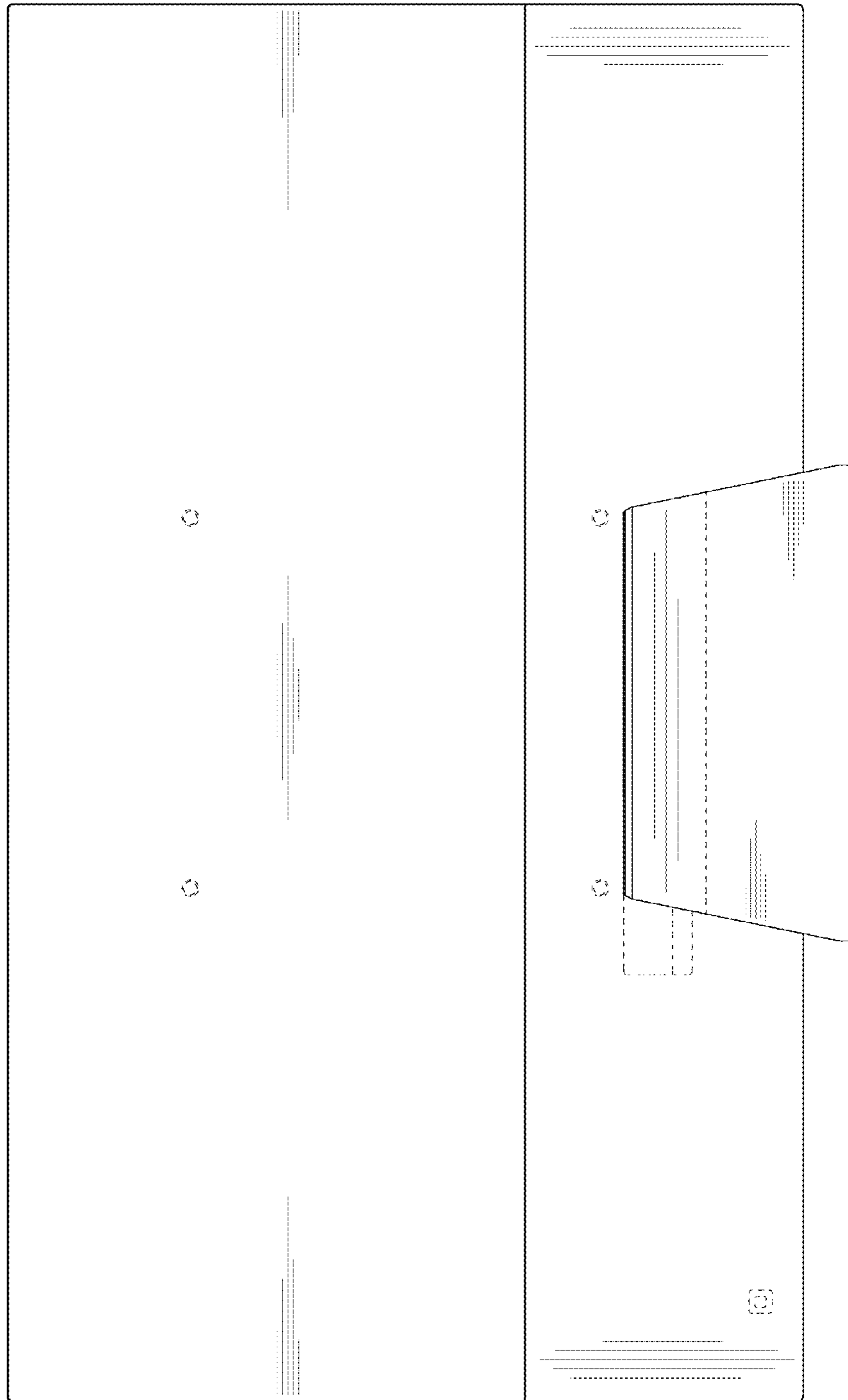


FIG. 4

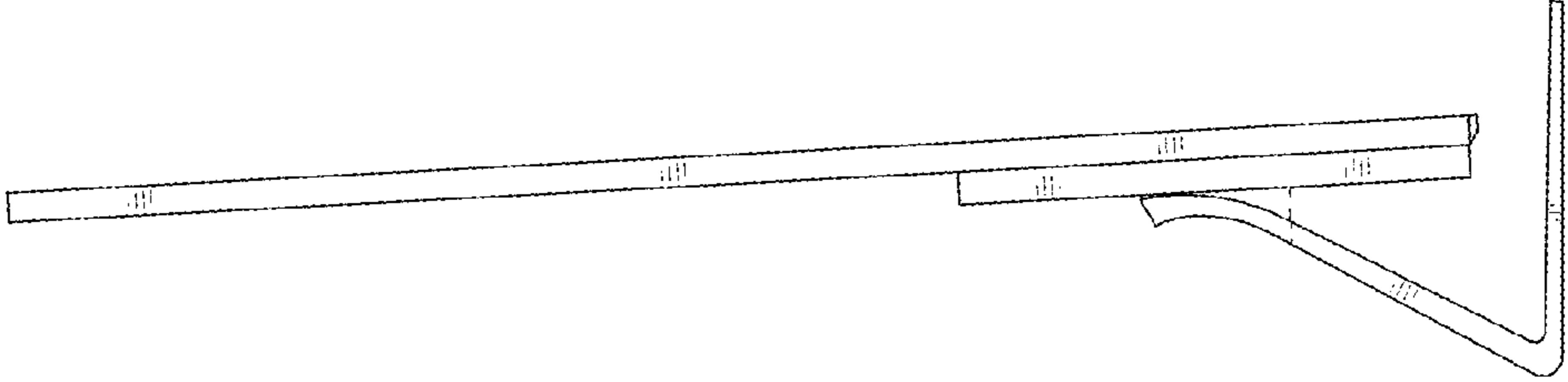


FIG. 5

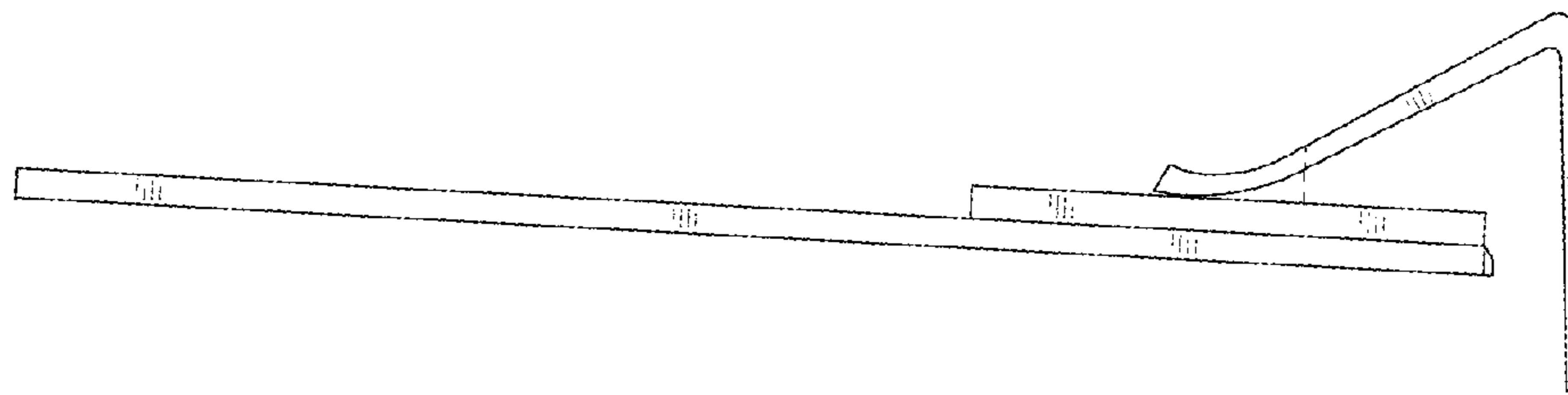


FIG. 6

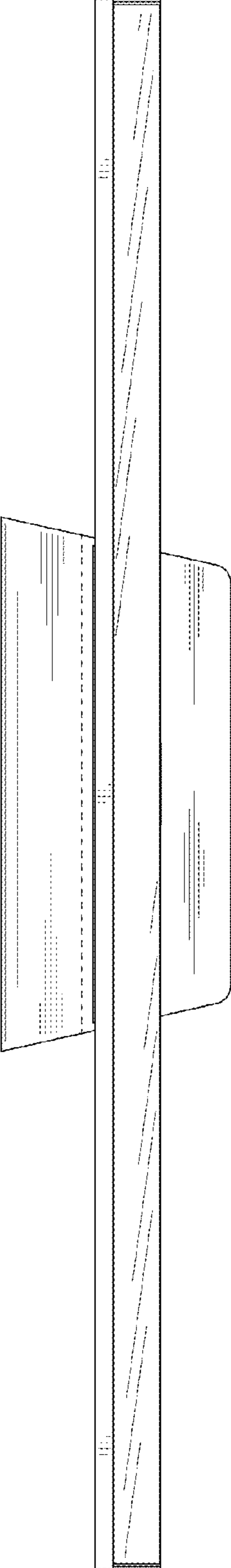


FIG. 7

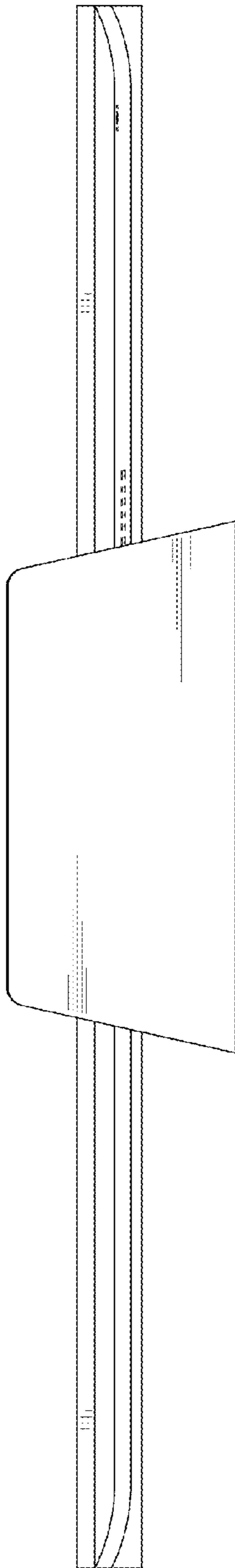


FIG. 8

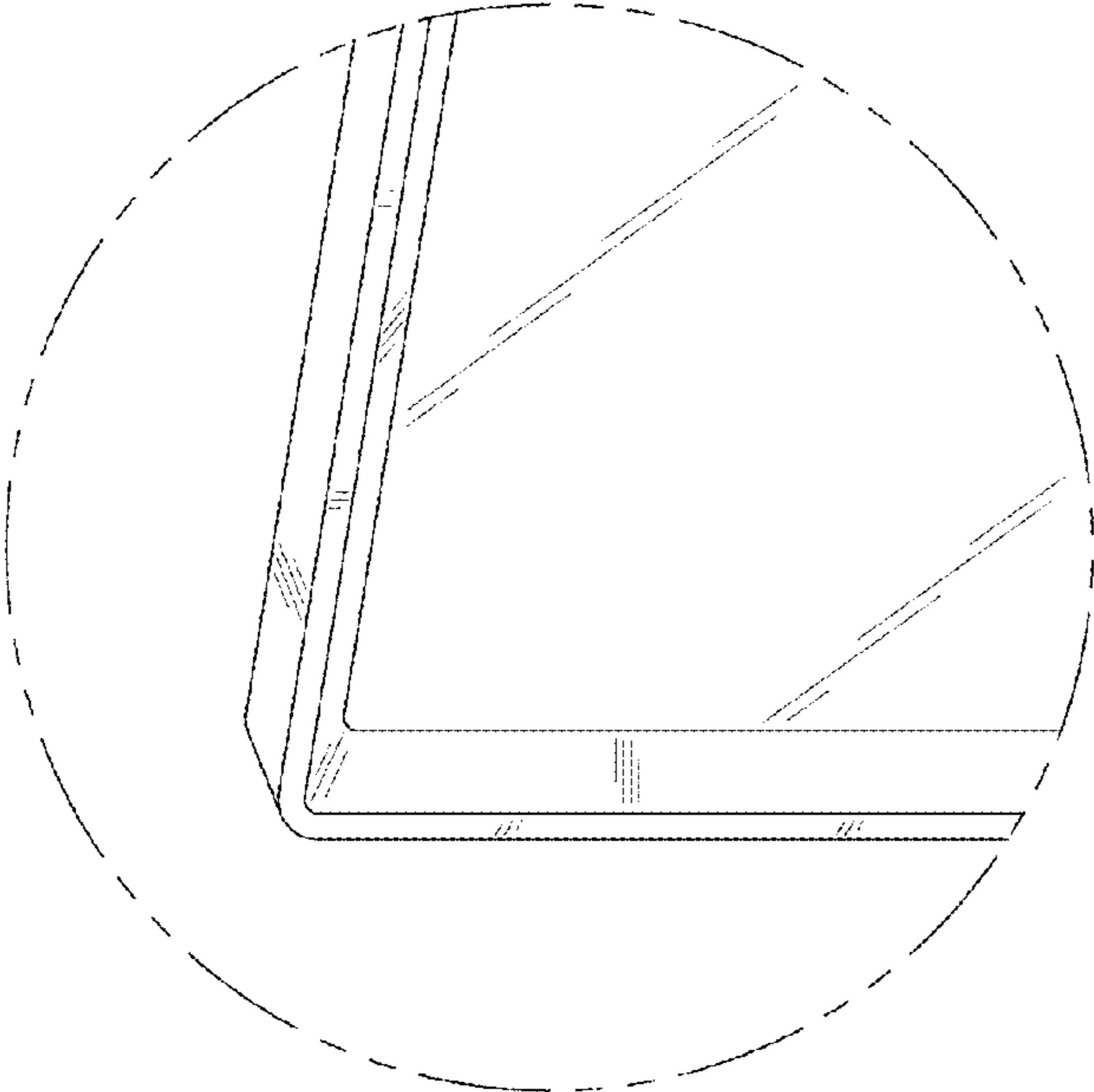


FIG. 9

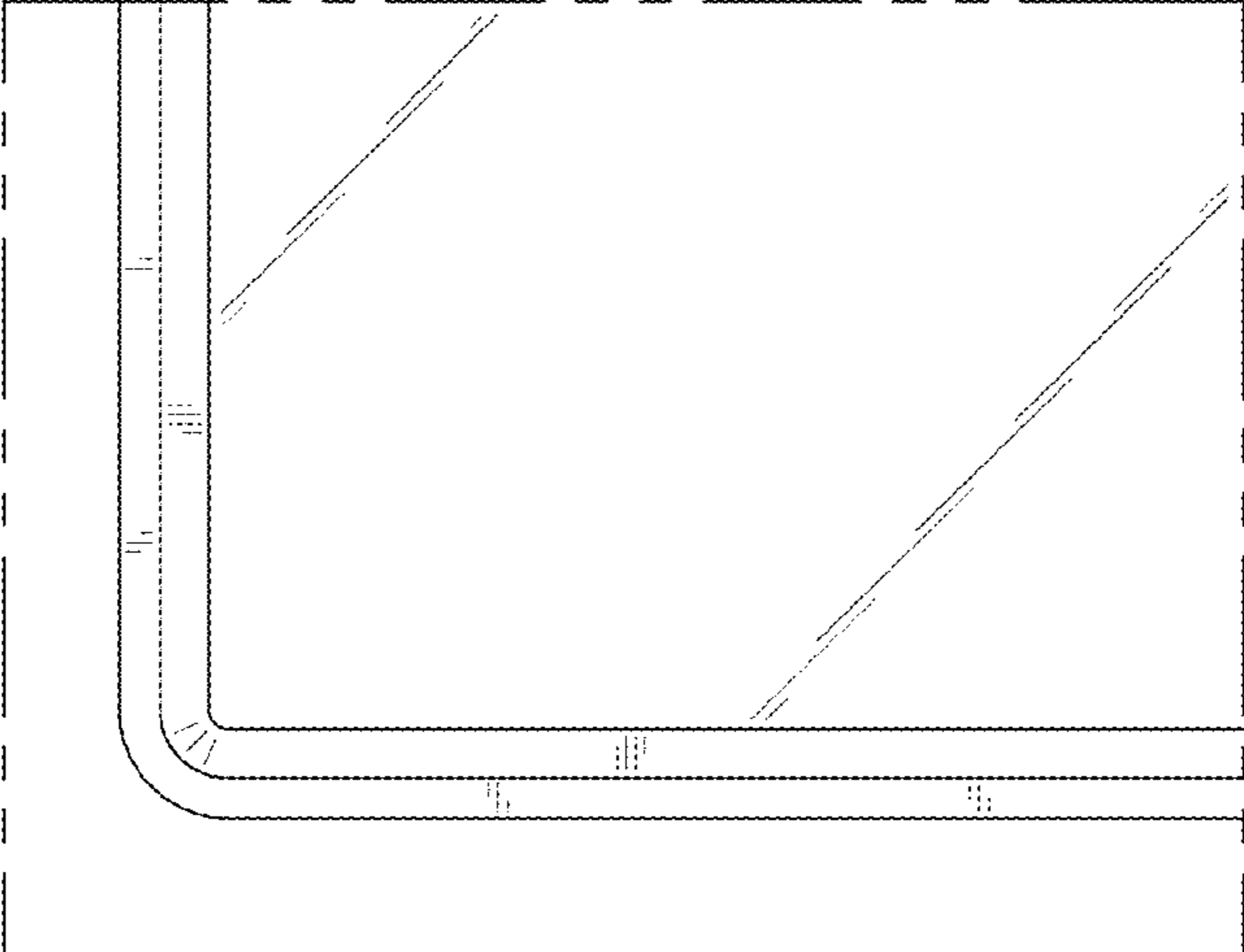


FIG. 10

