



US00D738336S

(12) **United States Design Patent**
Hwangbo et al.

(10) **Patent No.:** **US D738,336 S**
(45) **Date of Patent:** **** Sep. 8, 2015**

- (54) **TELEVISION RECEIVER**
- (71) Applicant: **LG ELECTRONICS INC.**, Seoul (KR)
- (72) Inventors: **Deung Hwangbo**, Seoul (KR);
Byungmu Huh, Seoul (KR); **Jongyoun Shin**, Gunpo-si (KR)
- (73) Assignee: **LG Electronics Inc.**, Seoul (KR)
- (**) Term: **14 Years**
- (21) Appl. No.: **29/480,662**
- (22) Filed: **Jan. 28, 2014**
- (30) **Foreign Application Priority Data**

Jul. 29, 2013 (KR) 30-2013-0039240

- (51) **LOC (10) Cl.** **14-03**
- (52) **U.S. Cl.**
USPC **D14/126**
- (58) **Field of Classification Search**
USPC D14/125-134, 239, 371, 374-377, 450,
D14/448, 336, 159; D6/300; D10/15, 26;
D21/329, 515, 577, 333, 331;
D16/241; 312/7.2; 345/104, 156, 168,
345/87, 173, 690; 446/484, 175; 273/148 B;
248/917-924, 465; 348/836, 838, 180,
348/184, 325, 739
CPC H05K 5/0004; H05K 5/0017; H05K 5/02;
H05K 5/0216; G06F 1/1601; G06F 1/1643
See application file for complete search history.

(56) **References Cited**

U.S. PATENT DOCUMENTS

- D535,630 S * 1/2007 Yokota D14/126
- D535,953 S * 1/2007 Fujii D14/126
- D547,740 S * 7/2007 Otani D14/126
- D564,993 S * 3/2008 Lee D14/126
- D582,867 S * 12/2008 Song et al. D14/126
- D655,266 S * 3/2012 Kim D14/126

- D658,615 S * 5/2012 Chiu D14/126
- D661,672 S * 6/2012 Kim D14/126
- D670,670 S * 11/2012 Kim et al. D14/126
- D677,637 S * 3/2013 Kubota D14/126
- D680,088 S * 4/2013 Park et al. D14/126
- D689,836 S * 9/2013 Park D14/126
- D695,243 S * 12/2013 Lewis D14/126

(Continued)

Primary Examiner — Eric Goodman

Assistant Examiner — Clese Moore, Jr.

(74) *Attorney, Agent, or Firm* — Birch, Stewart, Kolasch & Birch, LLP

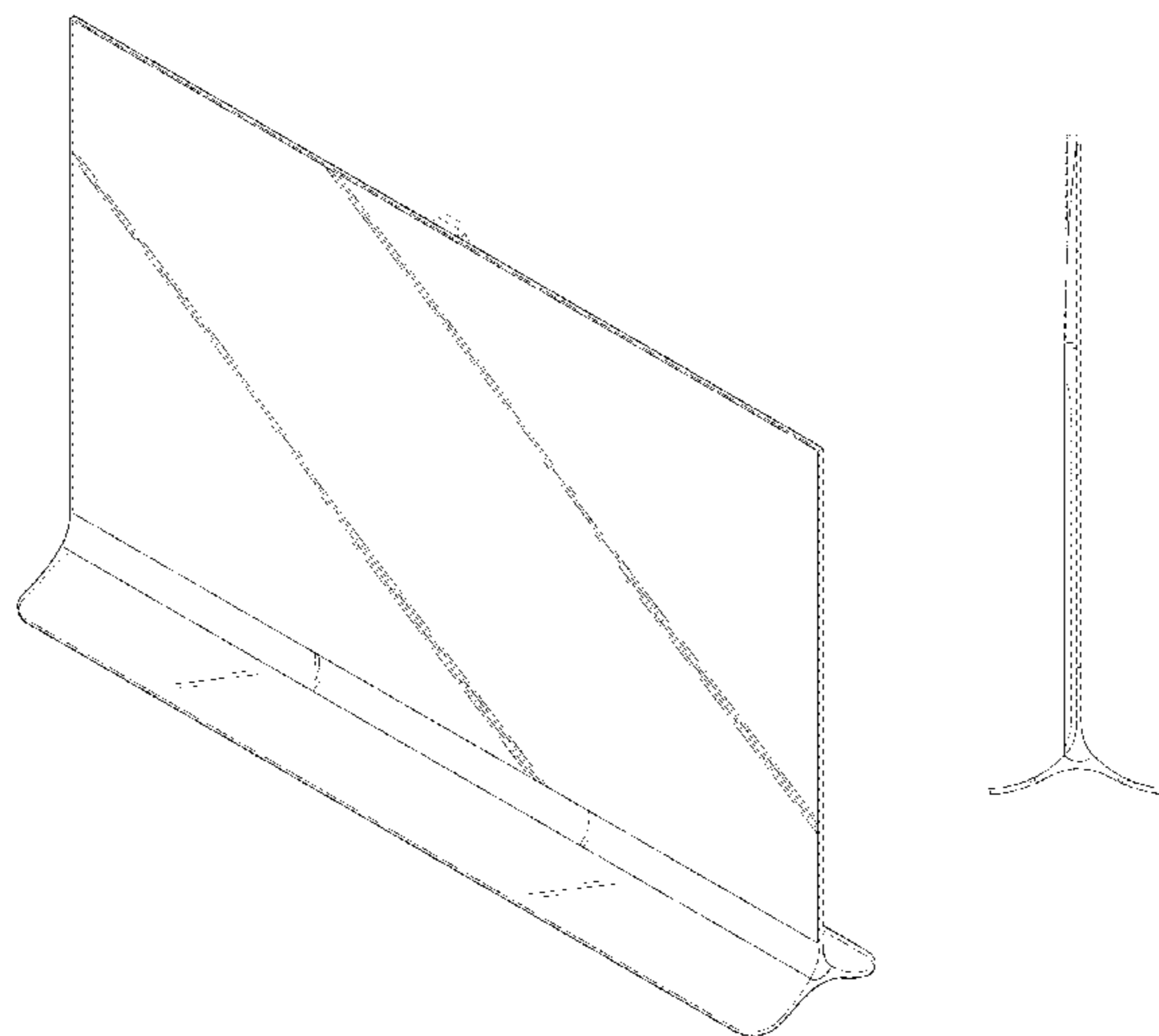
(57) **CLAIM**

The ornamental design for a television receiver, as shown and described.

DESCRIPTION

FIG. 1 is a perspective view of a television receiver showing our new design;
 FIG. 2 is a front view thereof;
 FIG. 3 is a rear view thereof;
 FIG. 4 is a left side view thereof;
 FIG. 5 is a right side view thereof;
 FIG. 6 is a top plan view thereof;
 FIG. 7 is a bottom plan view thereof;
 FIG. 8 is a rear perspective view thereof;
 FIG. 9 is a left side view thereof showing the part of the television receiver which is consisted of transparent material by hatching; and,
 FIG. 10 is a perspective view thereof showing the state in which the stand at the lower part has been detached and then the television receiver has been attached to the wall. The broken lines shown illustrate portions of the television receiver that form no part of the claimed design. The portion of a wall in FIG. 10 illustrates environmental structure that forms no part of the claimed design. The oblique lines shown in the base portion of the television receiver in FIGS. 1-8 illustrate transparent material.

1 Claim, 9 Drawing Sheets



(56)

References Cited

U.S. PATENT DOCUMENTS

D717,753 S *	11/2014	Totsuka et al.	D14/126
D717,756 S *	11/2014	Park et al.	D14/126
D723,484 S *	3/2015	Hwangbo et al.	D14/126
D715,756 S *	10/2014	Lim et al.	D14/126

* cited by examiner

FIG. 1

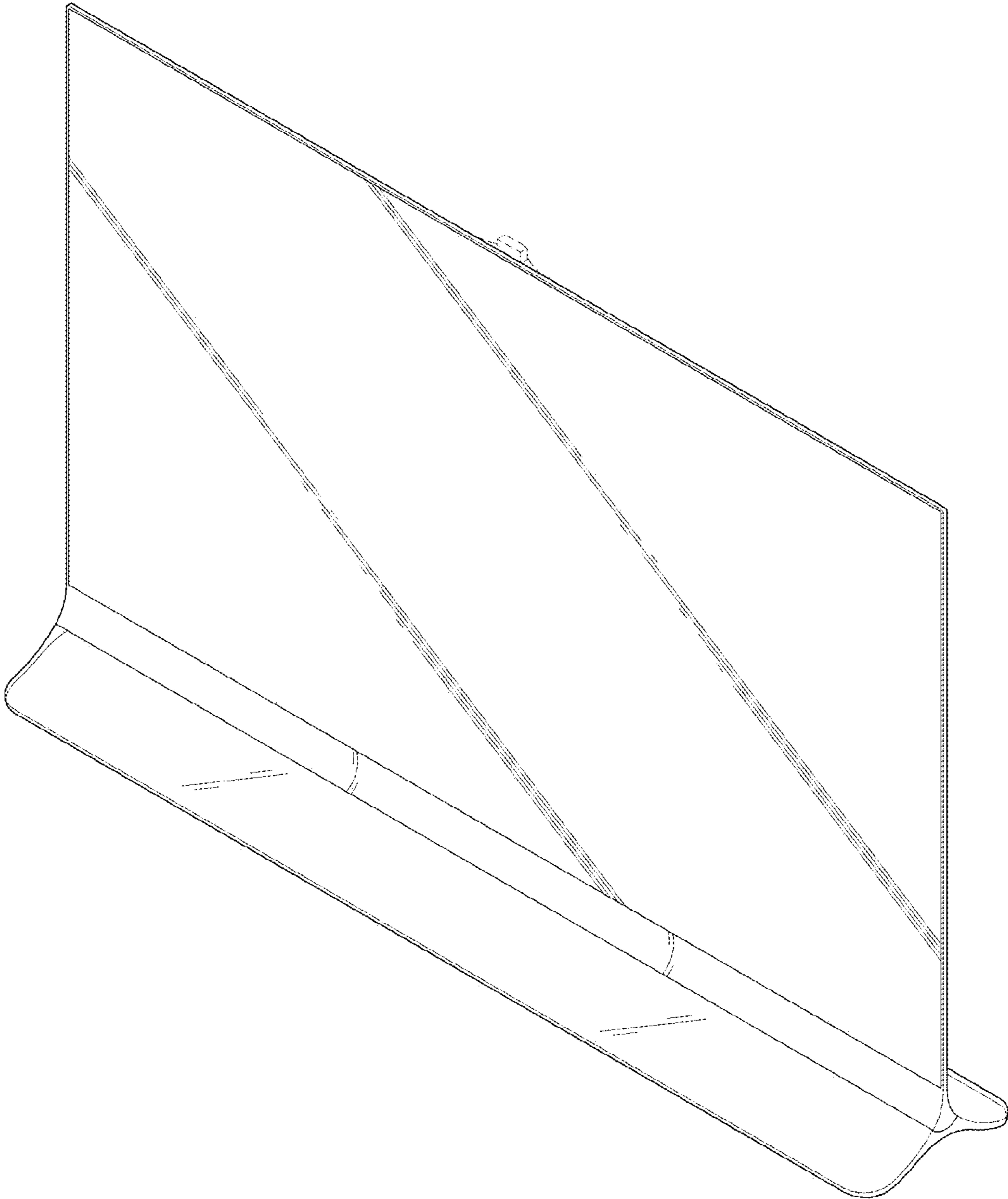


FIG. 2

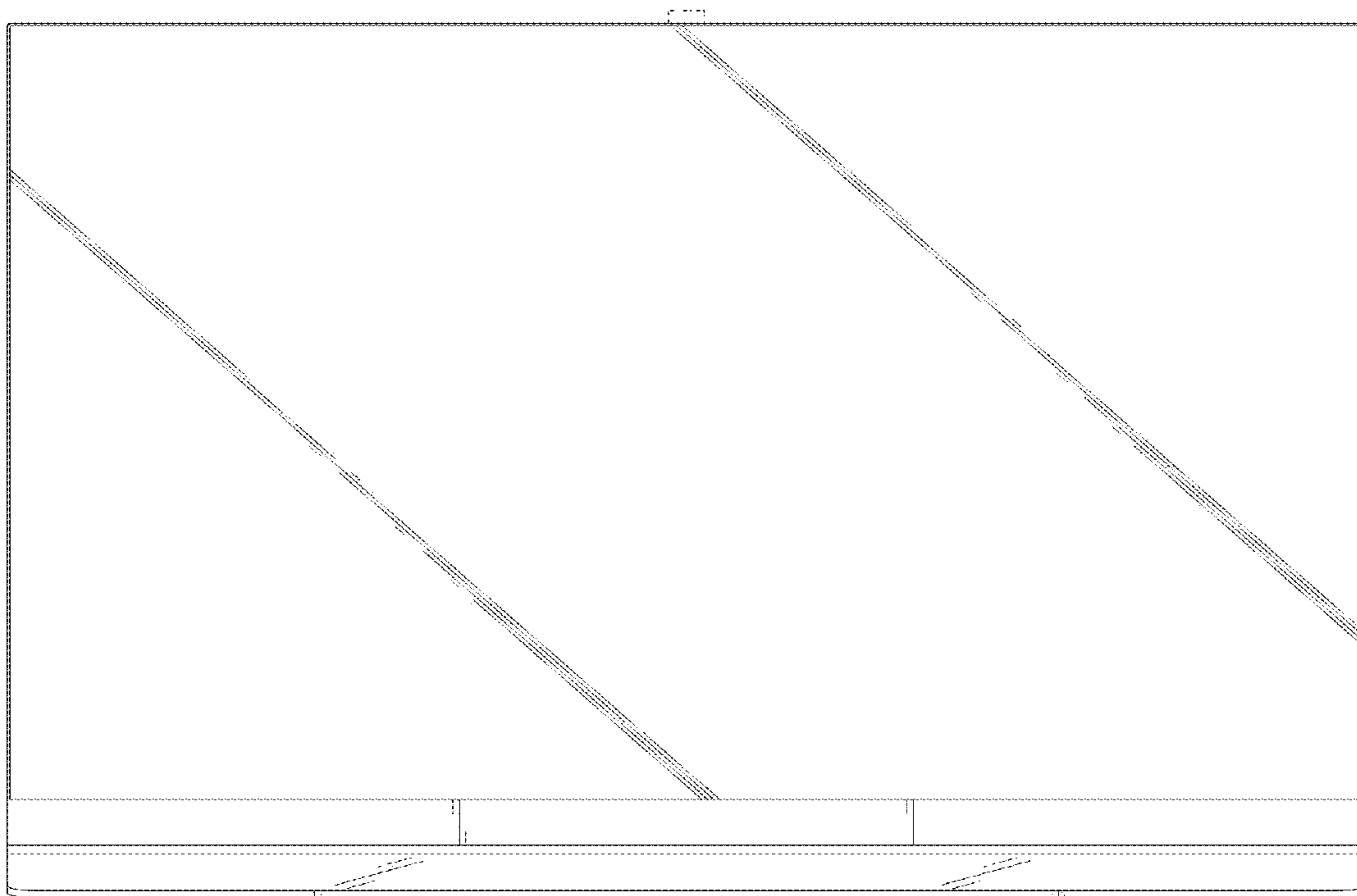


FIG. 3

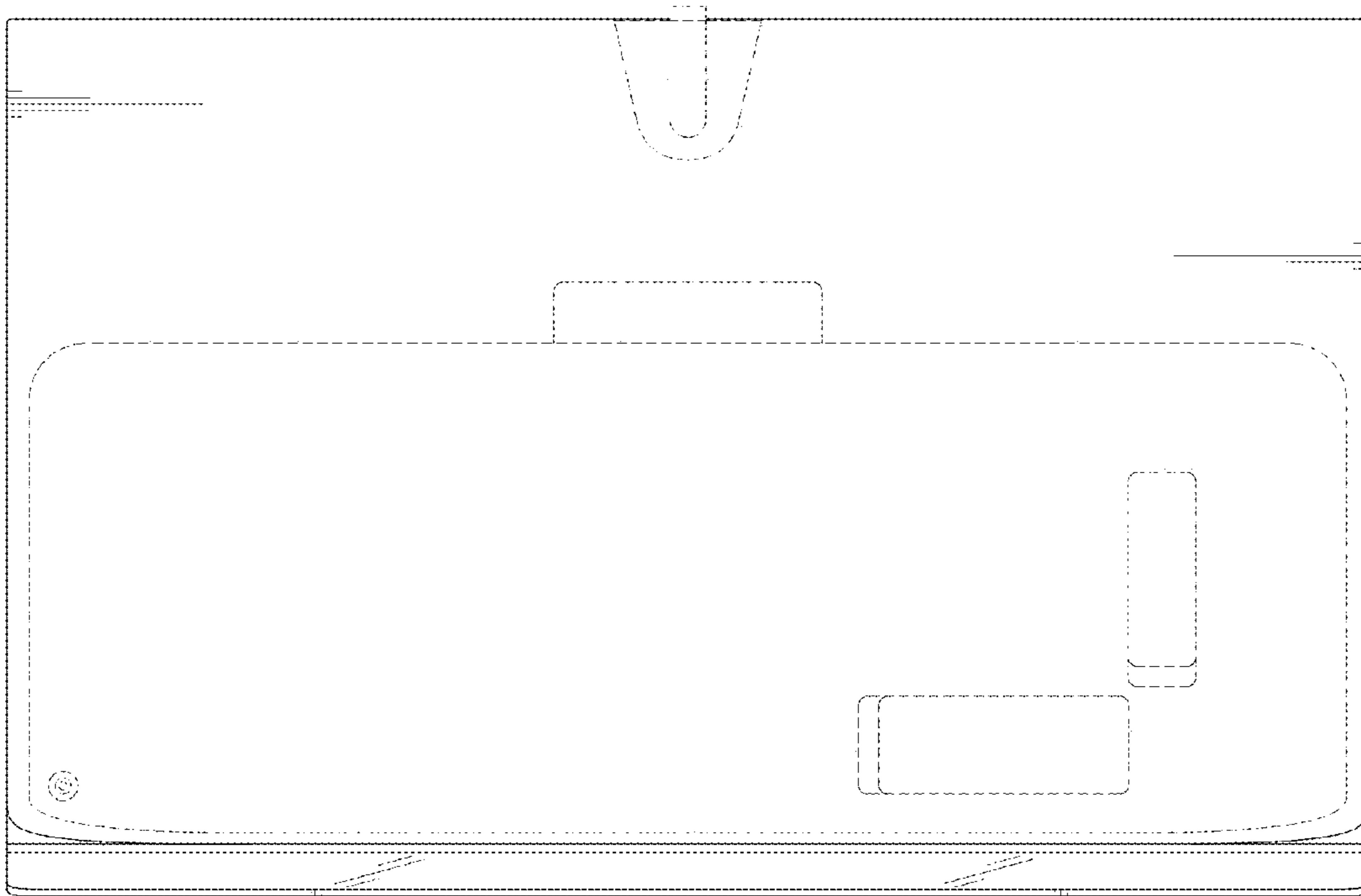


FIG. 4

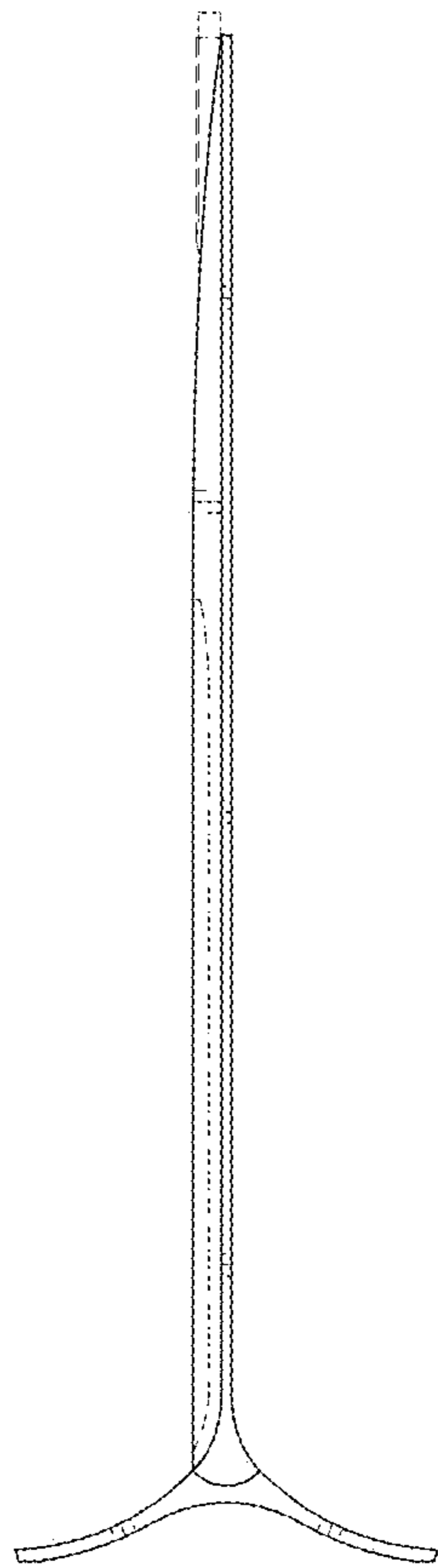


FIG. 5

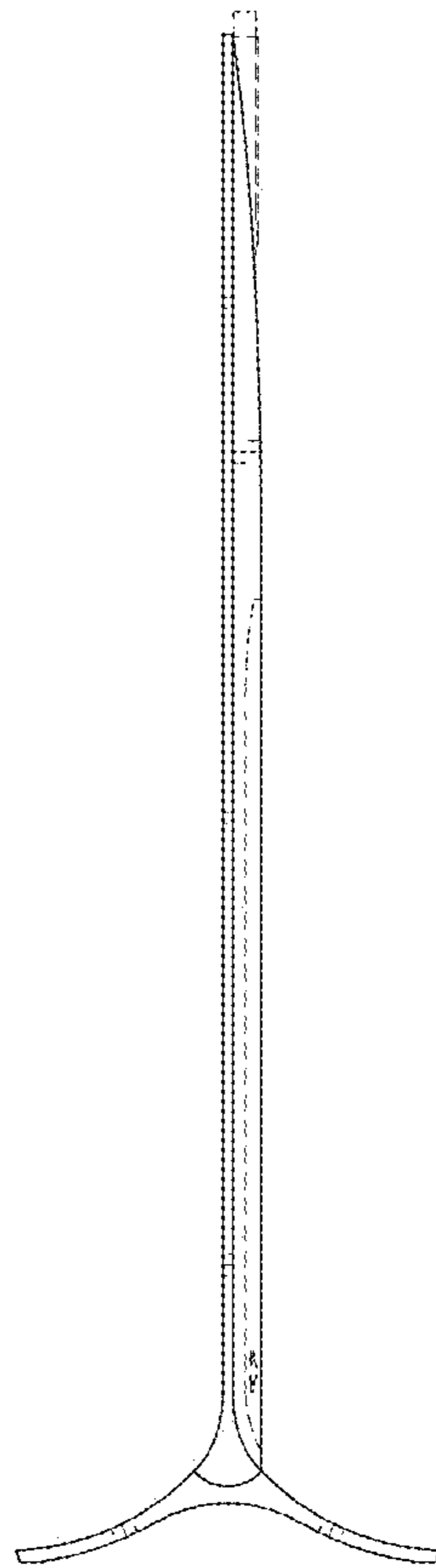


FIG. 6

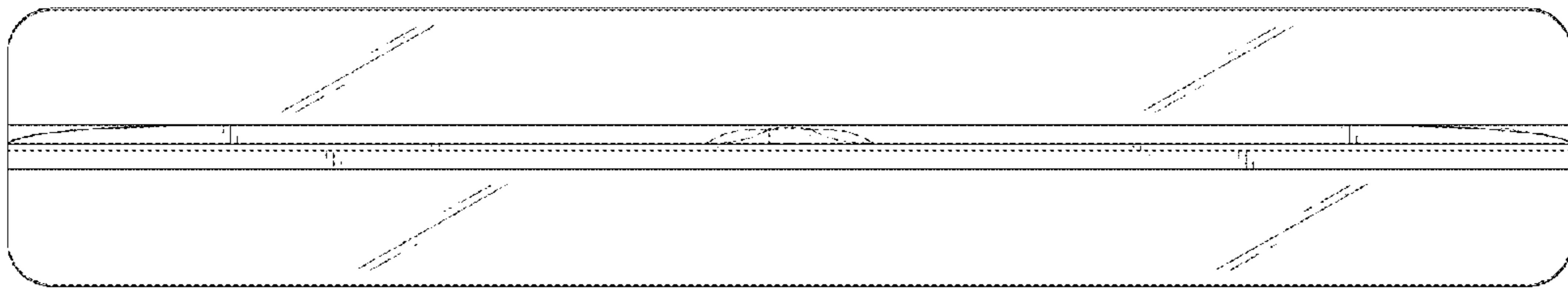


FIG. 7

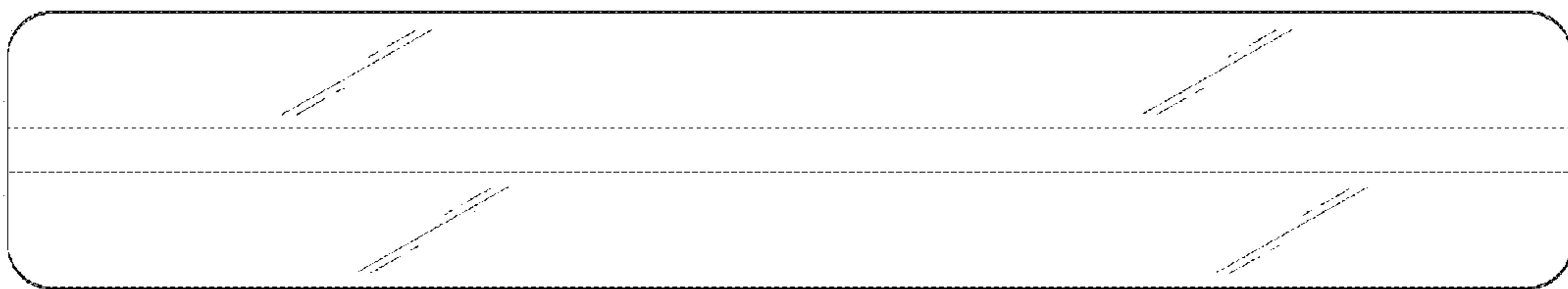


FIG. 8

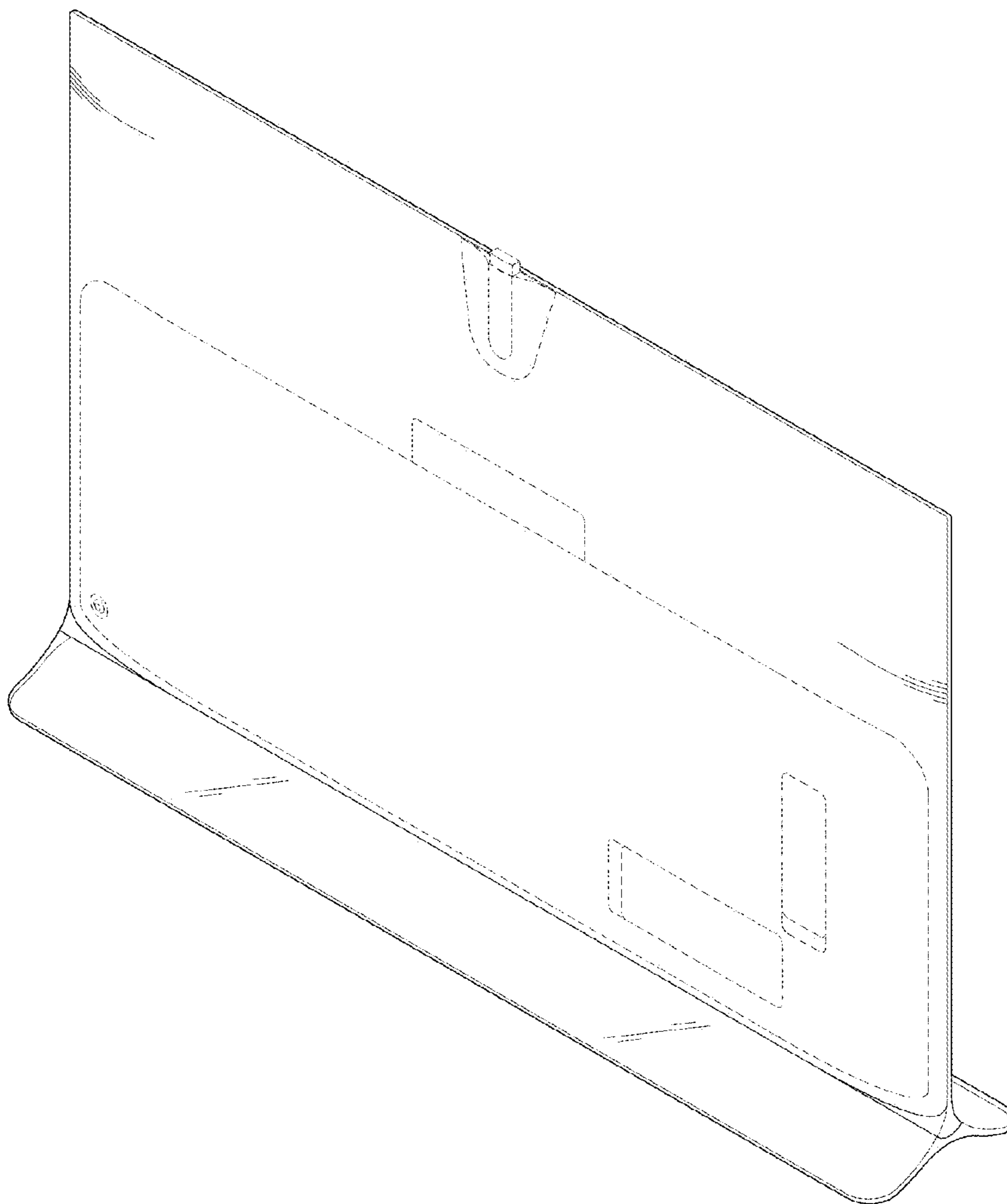


FIG. 9

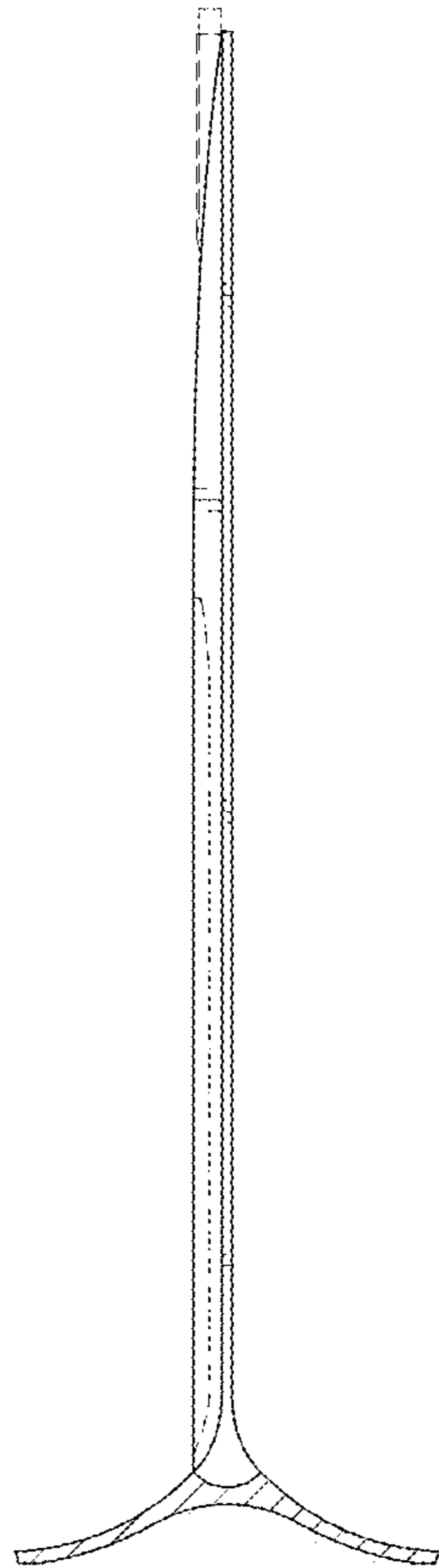


FIG. 10

