



US00D738332S

(12) **United States Design Patent**
Kim et al.

(10) **Patent No.:** **US D738,332 S**
(45) **Date of Patent:** **** Sep. 8, 2015**

(54) **TELEVISION RECEIVER FRAME**

(71) Applicant: **Samsung Electronics Co., Ltd.**,
Suwon-si (KR)

(72) Inventors: **Eui-Seok Kim**, Sungnam-si (KR);
Su-An Choi, Seoul (KR)

(73) Assignee: **Samsung Electronics Co., Ltd.**,
Suwon-si (KR)

(**) Term: **14 Years**

(21) Appl. No.: **29/456,755**

(22) Filed: **Jun. 4, 2013**

(30) **Foreign Application Priority Data**

Dec. 7, 2012 (KR) 30-2012-0059144

(51) **LOC (10) Cl.** **14-03**

(52) **U.S. Cl.**
USPC **D14/126**

(58) **Field of Classification Search**

USPC D14/125-134, 239, 371, 136, 374-377,
D14/440, 450, 448, 336, 342, 159; 312/7.2;
348/836, 838, 180, 184, 325, 739;
248/917-924, 465; 345/104, 133, 156,
345/168, 87, 173; D21/329, 515, 577, 622,
D21/333, 433, 448, 452, 450, 331, 505;
D10/15, 26; 446/484, 175, 356;
D6/477, 479, 300; D24/185; D34/14
CPC ... G06F 1/1601; G06F 1/1643; H05K 5/0004;
H05K 5/0017; H05K 5/02; H05K 5/0217;
A47G 1/06; A47G 1/0605; A47G 1/0627
See application file for complete search history.

(56) **References Cited**

U.S. PATENT DOCUMENTS

3,425,147 A * 2/1969 Marx 40/780
D269,838 S * 7/1983 Altonaga D6/300

(Continued)

Primary Examiner — Randall Gholson

(74) Attorney, Agent, or Firm — NSIP Law

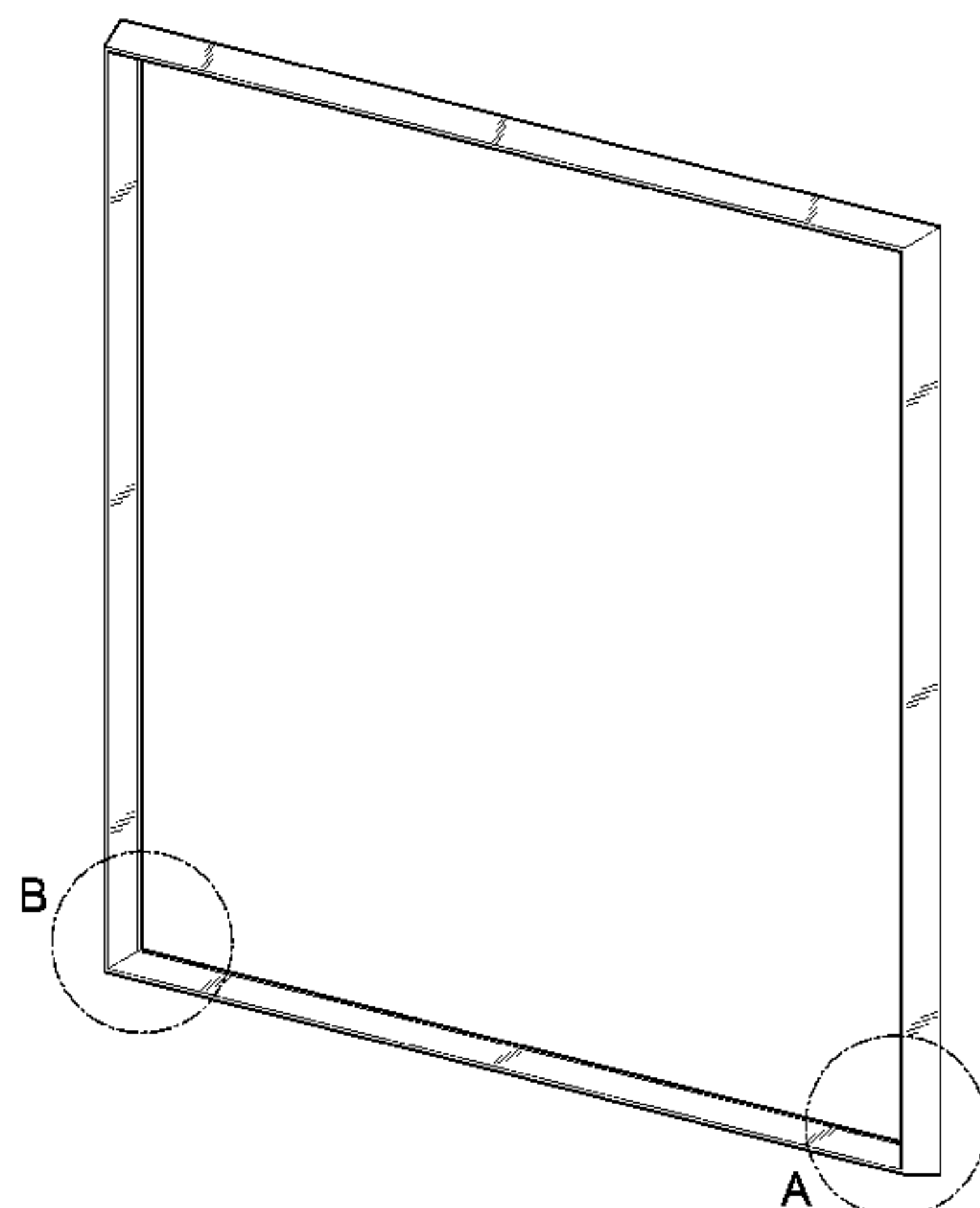
(57) **CLAIM**

The ornamental design for a television receiver frame, as shown and described.

DESCRIPTION

FIG. 1 is a front perspective view of a television receiver frame, showing our new design;
FIG. 2 is a front view thereof;
FIG. 3 is a rear view thereof;
FIG. 4 is a left-side view thereof;
FIG. 5 is a right-side view thereof;
FIG. 6 is a top plan view thereof;
FIG. 7 is a bottom plan view thereof;
FIG. 8 is a cross-sectional view thereof, illustrating the claimed design by taking the cross-section at the point D-D' and as viewed by the cross-section arrows indicated in FIG. 2;
FIG. 9 is a front perspective view of a television receiver frame of FIG. 1, in which a television receiver and rods in broken lines are provided to illustrate an example environment;
FIG. 10 is a partially-exploded front perspective view of a television receiver frame of FIG. 1, in which the unclaimed television receiver and rods that separates from the claimed design are in a detached state;
FIG. 11 is a rear perspective view of a television receiver frame of FIG. 1, in which a television receiver and rods in broken lines are provided to illustrate an example environment;
FIG. 12 is a front view of a television receiver frame of FIG. 1, in which the unclaimed television receiver is in a first position to illustrate an example environment;
FIG. 13 is a front view of a television receiver frame of FIG. 1, in which the unclaimed television receiver is in a second position to illustrate another example environment;
FIG. 14 is an enlarged view of the portion A encircled in FIG. 1;
FIG. 15 is an enlarged view of the portion B encircled in FIG. 1; and,
FIG. 16 is an enlarged view of the portion C encircled in FIG. 2.
The broken lines are for illustrative purposes only and form no part of the claimed design. The dot-dash broken lines encircling portions of the claimed design that are illustrated in enlargements form no part of the claimed design. The two-headed arrow line in FIGS. 12 and 13 are for illustrative purposes only and form no part of the claimed design. The two receiving holes for receiving the unclaimed rods in FIG. 10 is for illustrative purposes only and form no part of the claimed design.

1 Claim, 14 Drawing Sheets



(56)

References Cited

U.S. PATENT DOCUMENTS

5,205,059 A *	4/1993	Doll	40/718	D610,354 S *	2/2010	Kuo	D6/300
D345,379 S *	3/1994	Chan	D20/40	D611,439 S *	3/2010	Suzuki et al.	D14/126
D424,812 S *	5/2000	Kacius	D6/300	D611,440 S *	3/2010	Suzuki et al.	D14/126
D469,414 S *	1/2003	Lewis	D14/126	D613,074 S *	4/2010	Dathe	D6/300
D532,823 S *	11/2006	Pena Angarita	D19/113	D617,290 S *	6/2010	Lewis	D14/126
D545,359 S *	6/2007	Bramhall	D19/2	D630,618 S *	1/2011	Kim et al.	D14/218
D556,955 S *	12/2007	Hanks	D30/161	D652,397 S *	1/2012	Lewis	D14/126
D559,553 S *	1/2008	Mischel, Jr.	D6/300	D655,110 S *	3/2012	Siekman	D6/703
7,471,804 B2 *	12/2008	Lee	381/388	8,134,651 B1 *	3/2012	Reid	348/841
				D663,554 S *	7/2012	Siekman	D6/703.2
				8,237,875 B2 *	8/2012	Nguyen	348/841

* cited by examiner

FIG. 1

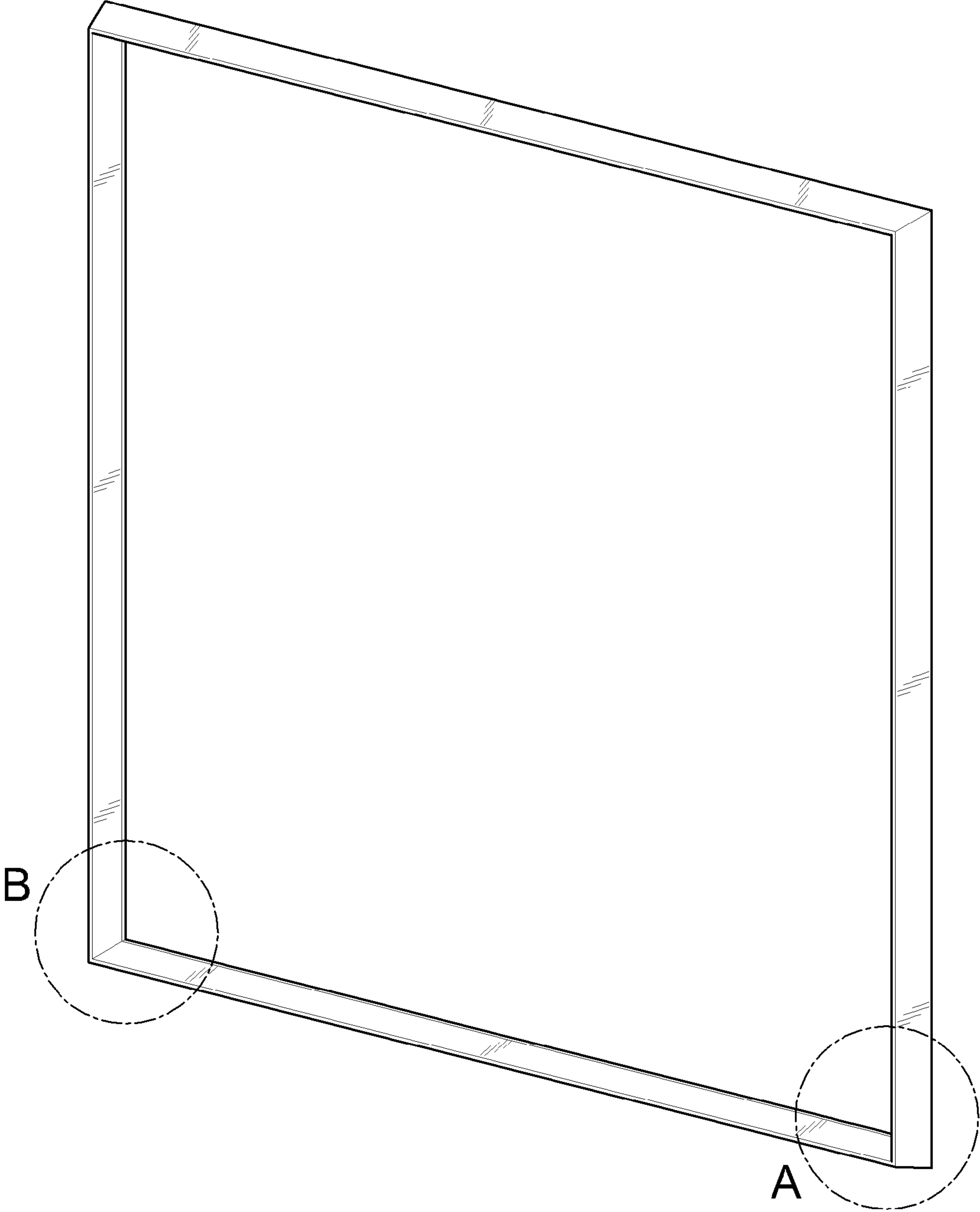


FIG. 2

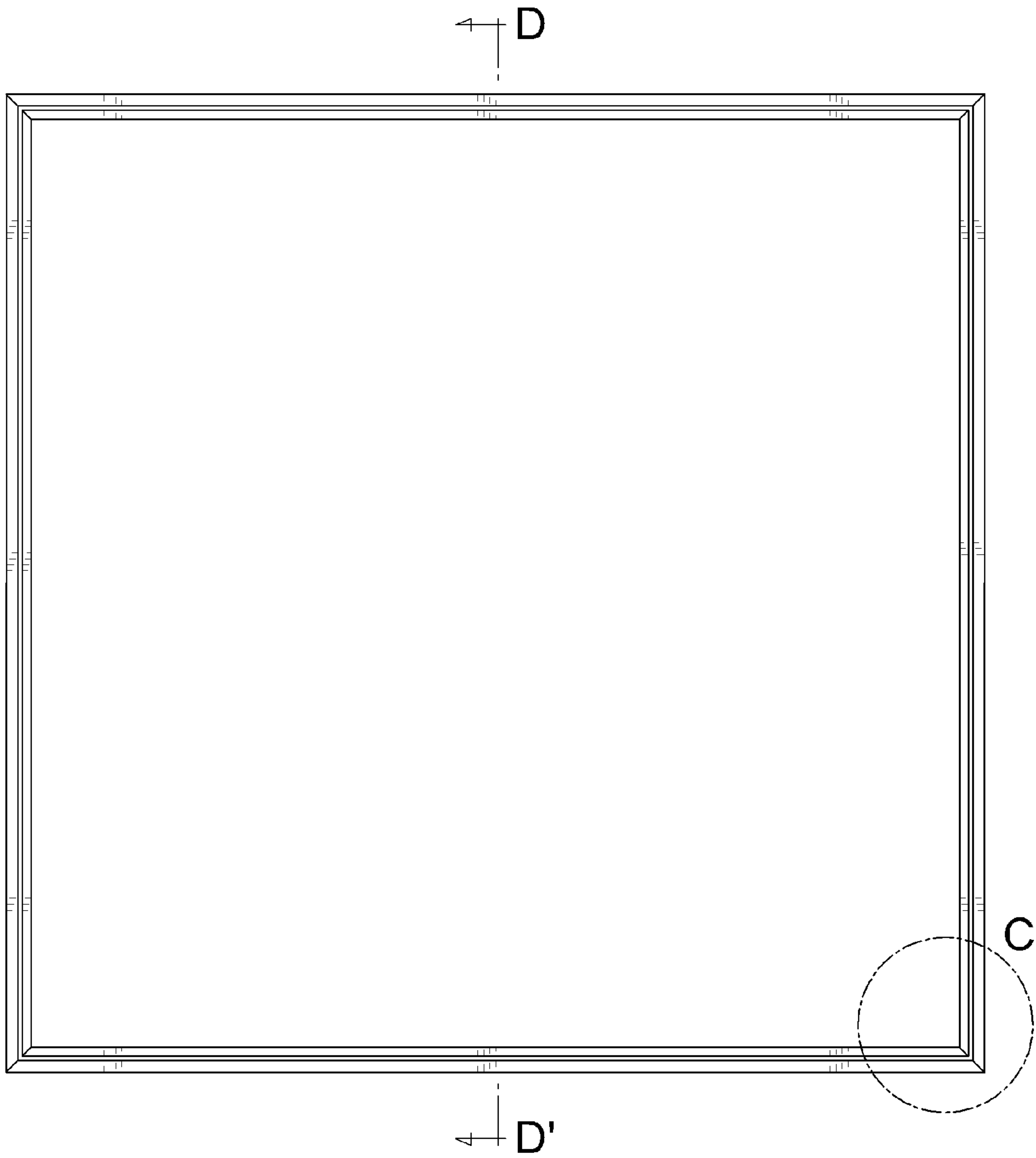


FIG. 3

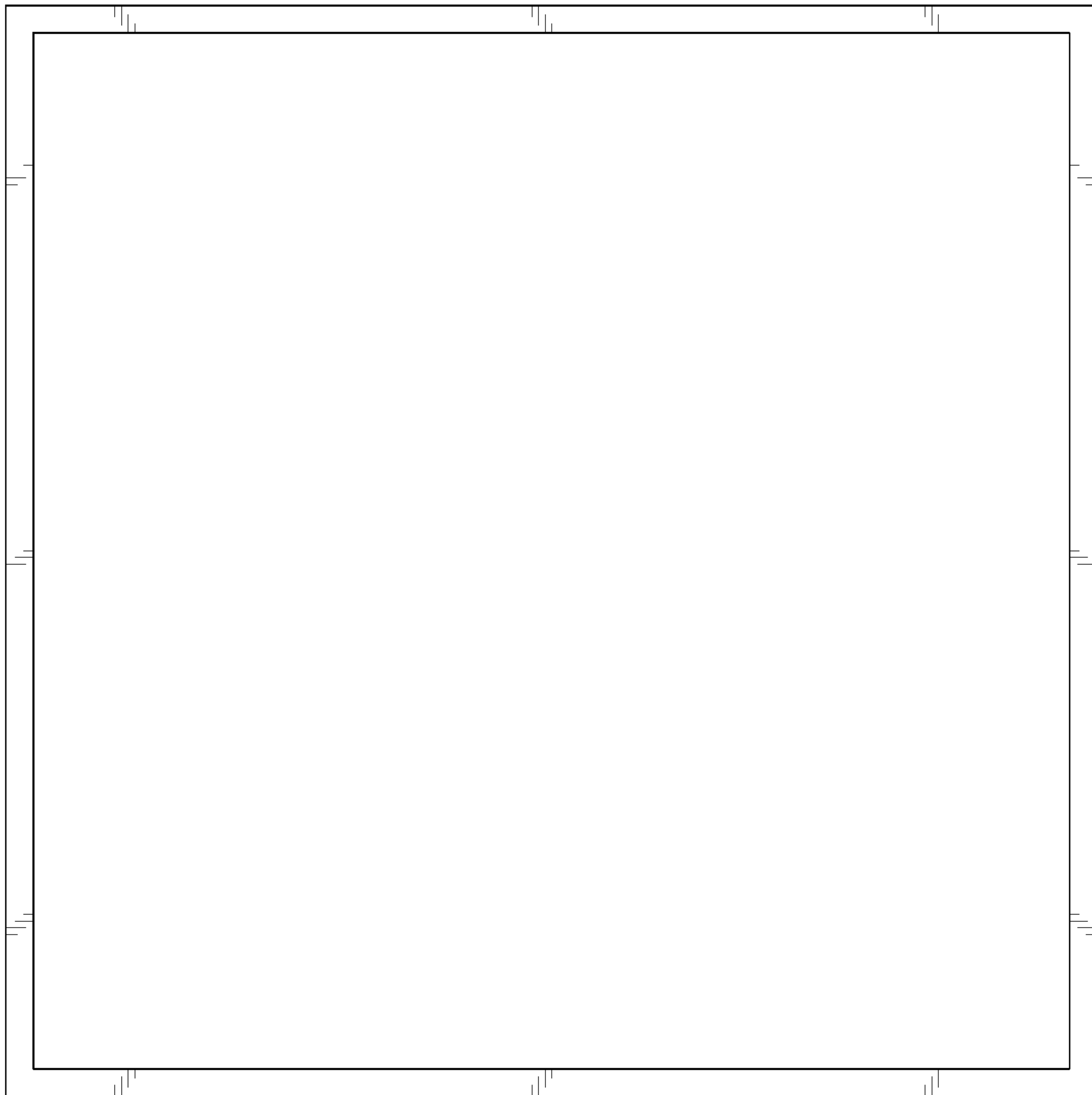


FIG. 4

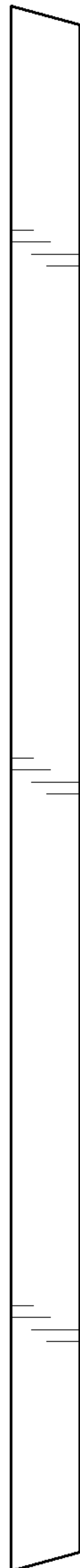


FIG. 5

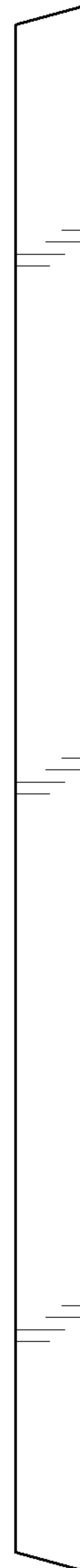


FIG. 6

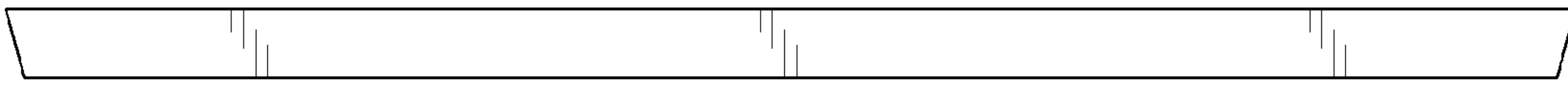


FIG. 7



FIG. 8

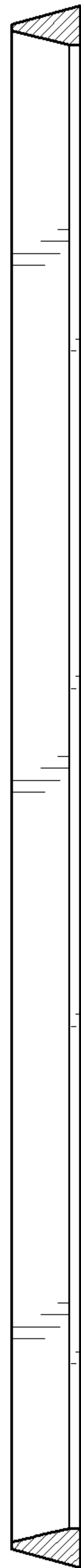


FIG. 9

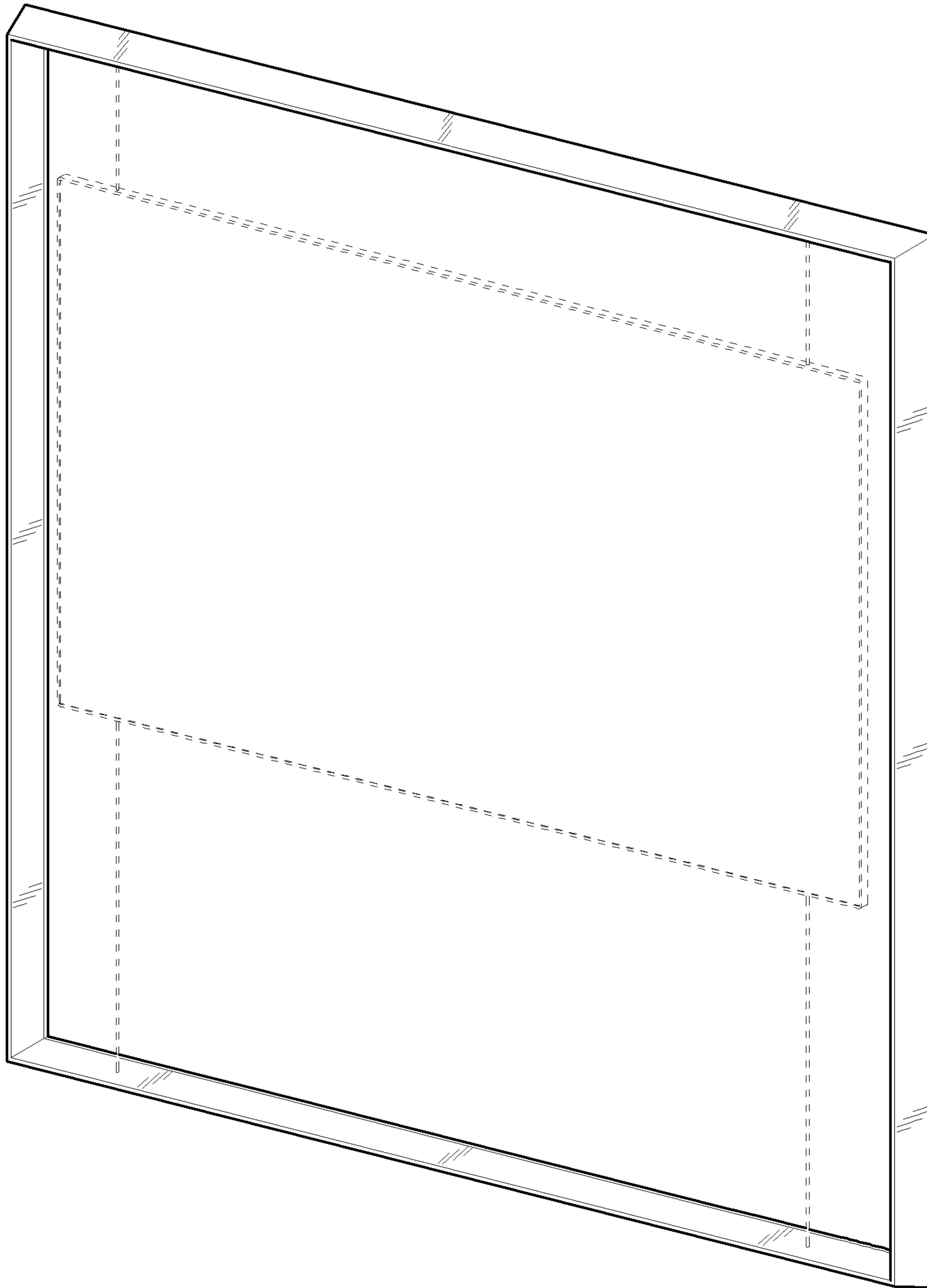


FIG. 10

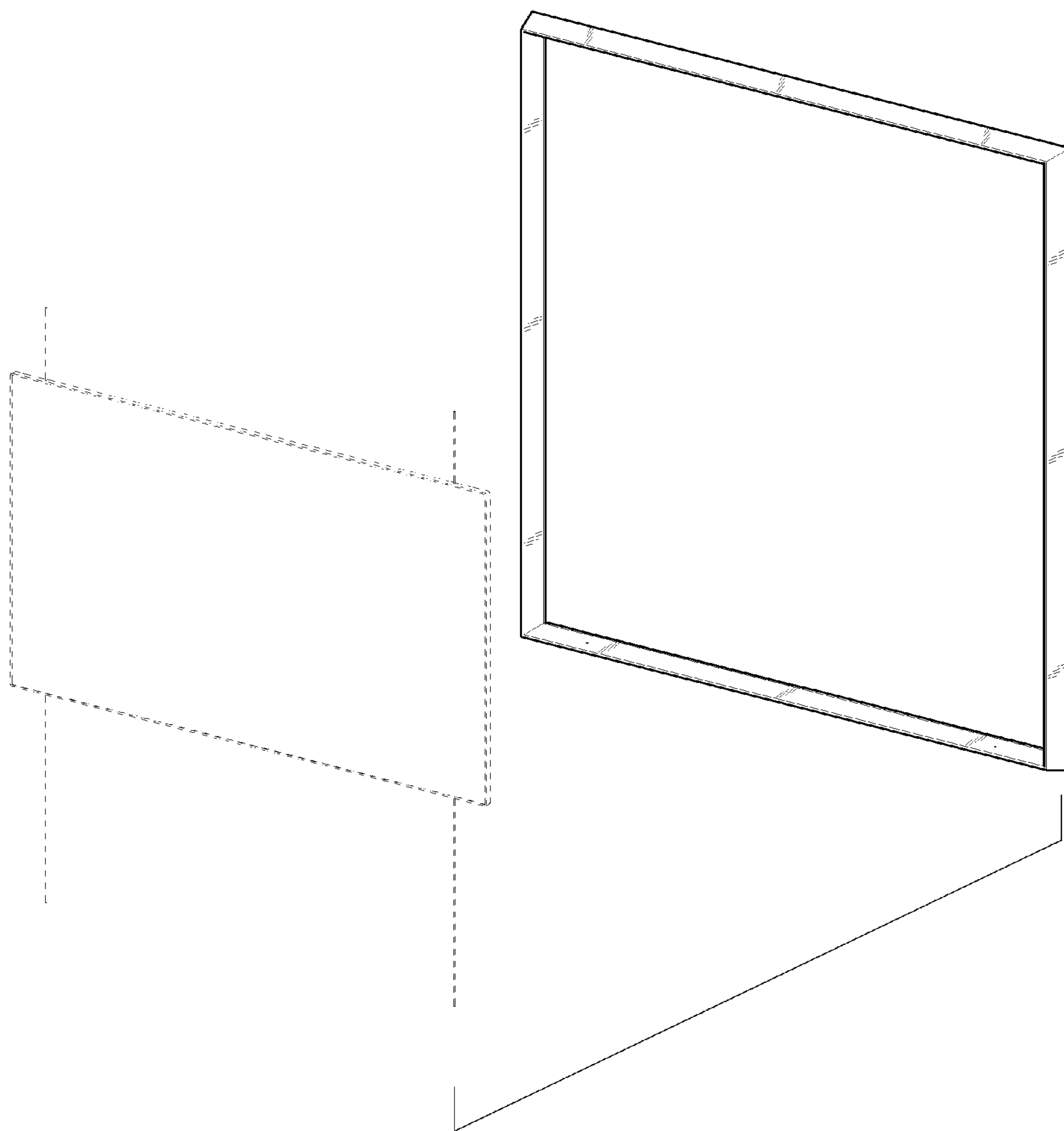


FIG. 11

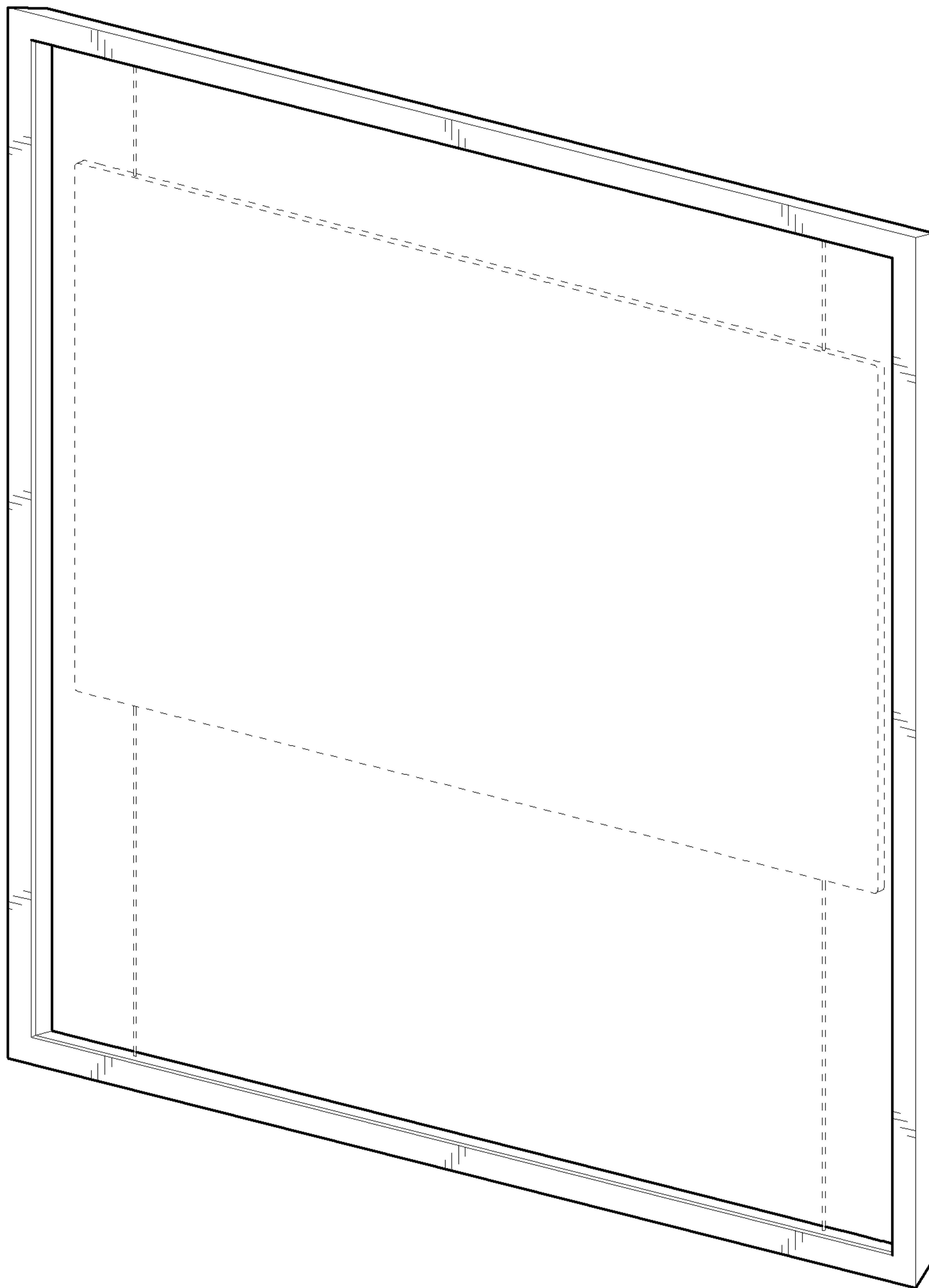


FIG. 12

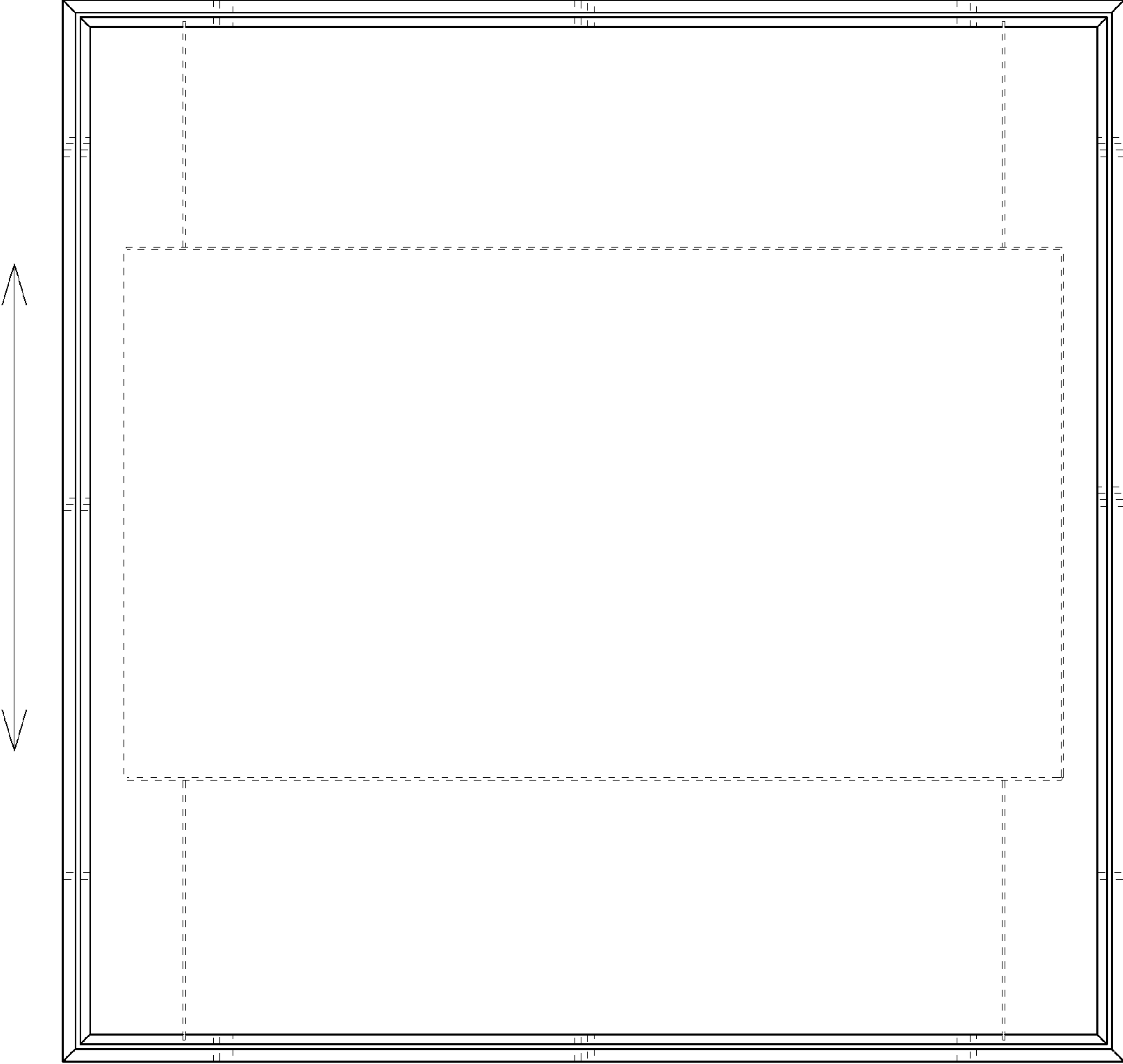


FIG. 13

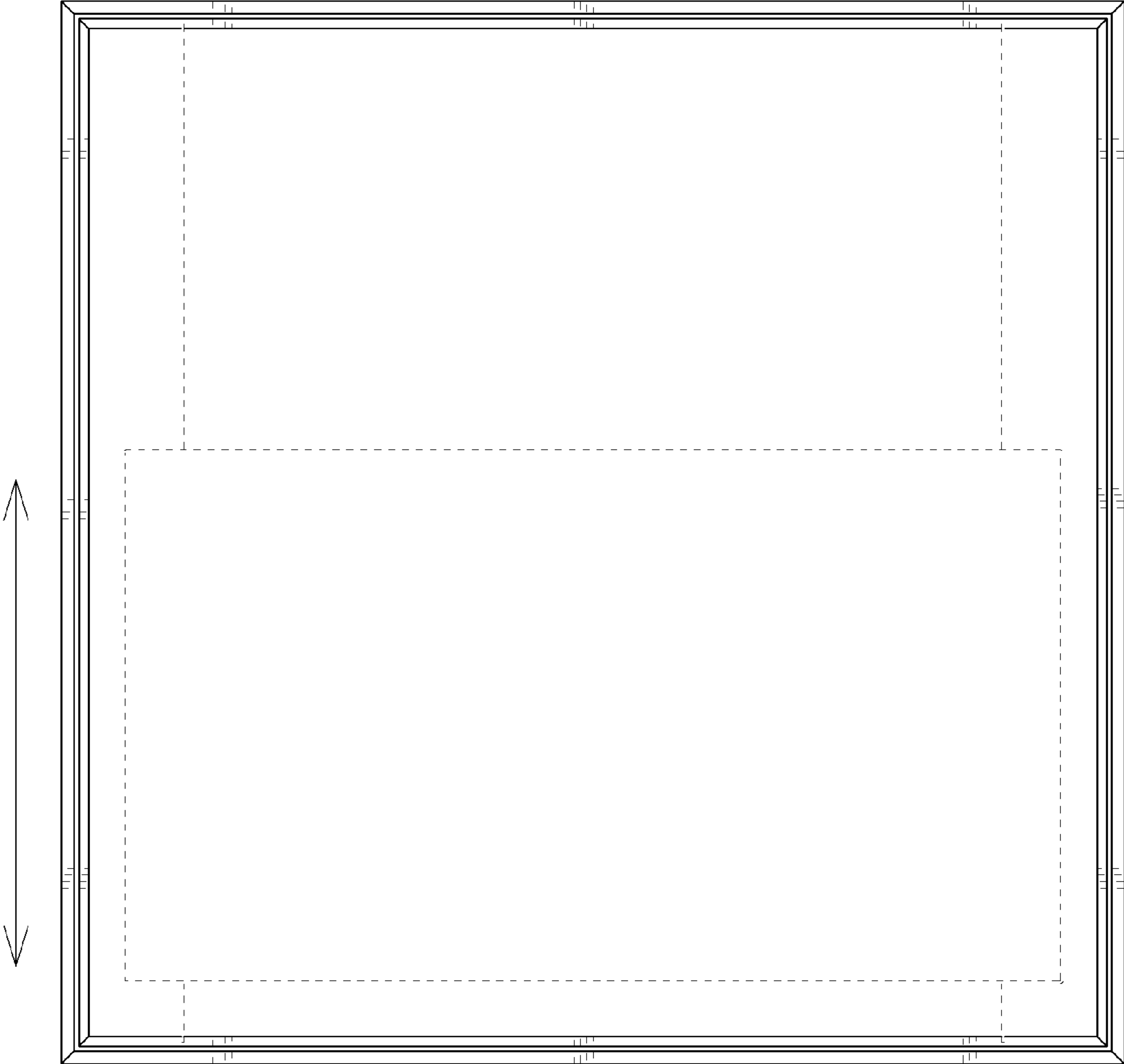


FIG. 14

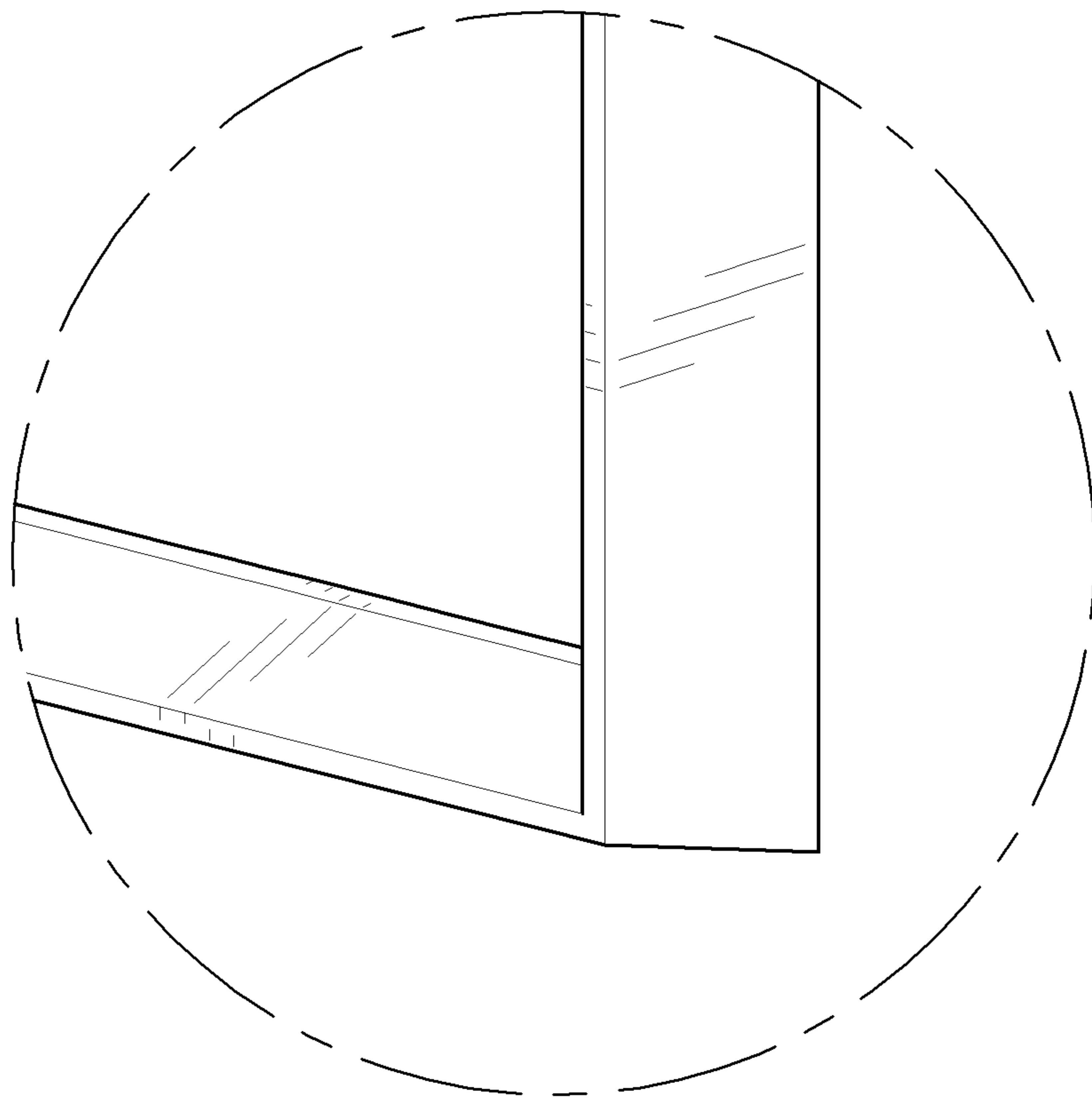


FIG. 15

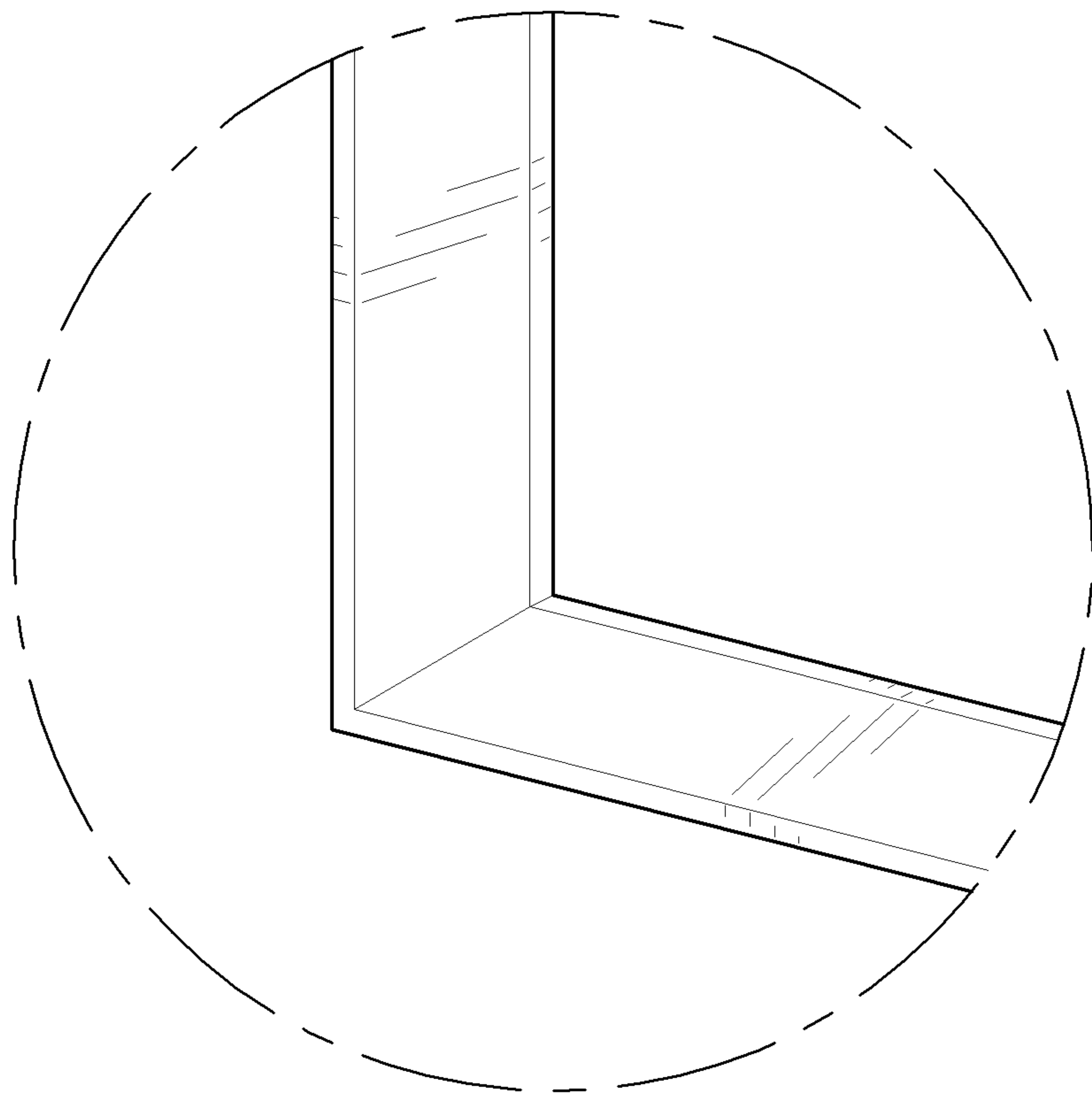


FIG. 16

